



US00D675544S

(12) **United States Design Patent**
Brooking et al.

(10) **Patent No.:** **US D675,544 S**

(45) **Date of Patent:** **** Feb. 5, 2013**

(54) **MOISTURE DETECTION DEVICE**

(75) Inventors: **Michael J. Brooking**, Dong Guan (CN);
Christopher W. Barney, Sandy, UT
(US)

(73) Assignee: **Gizmode, LLC**, Sandy, UT (US)

(**) Term: **14 Years**

(21) Appl. No.: **29/400,111**

(22) Filed: **Aug. 23, 2011**

(51) **LOC (9) Cl.** **10-04**

(52) **U.S. Cl.** **D10/56**

(58) **Field of Classification Search** D10/56;
73/40, 49.1, 335.02; 340/602, 603, 604,
340/605, 618, 620, 573.5; 324/694, 696;
356/326; 137/15.01

See application file for complete search history.

(56) **References Cited**

U.S. PATENT DOCUMENTS

3,696,007	A *	10/1972	Bennett et al.	205/788
D261,243	S	10/1981	Mintz et al.		
D261,998	S	11/1981	Munz		
D336,861	S *	6/1993	Nicholas	D10/56
D476,586	S	7/2003	Nash		
6,611,769	B2 *	8/2003	Olson	702/45
6,690,281	B2	2/2004	Palmer		
6,873,263	B1	3/2005	Hohman		
6,972,395	B2	12/2005	Jones		
D527,291	S *	8/2006	Bixler	D10/56
D618,567	S	6/2010	Brooking et al.		
7,733,234	B2 *	6/2010	Montgomery	340/628
D619,023	S	7/2010	Brooking et al.		
8,184,009	B1 *	5/2012	Kim	340/602
2007/0193342	A1 *	8/2007	Bailey et al.	73/53.01
2010/0154507	A1 *	6/2010	Matonick	73/1.72

OTHER PUBLICATIONS

The Water Alarm, <http://www.thewateralarm.com>, pp. 1-2, accessed Mar. 2, 2010.

Water Alarm, <http://www.amazon.com/Water-Alarm-Detects-Leaks-Saves/dp/B000JOK11K>, pp. 1-5, accessed Mar. 2, 2010.

General Tools WA500 Water Leak Alarm, http://www.amazon.com/General-Tools-WA500-Water-Leak-Alarm/dp/B001CEIFNW/ref=pd_sbs_k_4, pp. 1-5, accessed Mar. 2, 2010.

The Water Alarm, <http://www.thewateralarm.com/wateralarm/pc/The-Water-Alarm-c2.htm>.

Water Alarm, <http://www.amazon.com/Water-Alarm-Detects-Leaks-Saves/dp/B000JOK11K>.

General Tools WA500 Water Leak Alarm, http://www.amazon.com/General-Tools-WA500-Water-Leak-Alarm/dp/B001CEIFNW/ref=pd_sbs_k_4.

* cited by examiner

Primary Examiner — Antoine D Davis

(74) *Attorney, Agent, or Firm* — Warren M. Pate, LLC

(57) **CLAIM**

The ornamental design for a moisture detection device, as shown and described.

DESCRIPTION

FIG. 1 is a perspective view of a moisture detection device in accordance with our new design;

FIG. 2 is a front elevation view of the design of FIG. 1;

FIG. 3 is a rear elevation view of the design of FIG. 1;

FIG. 4 is a first side elevation view of the design of FIG. 1;

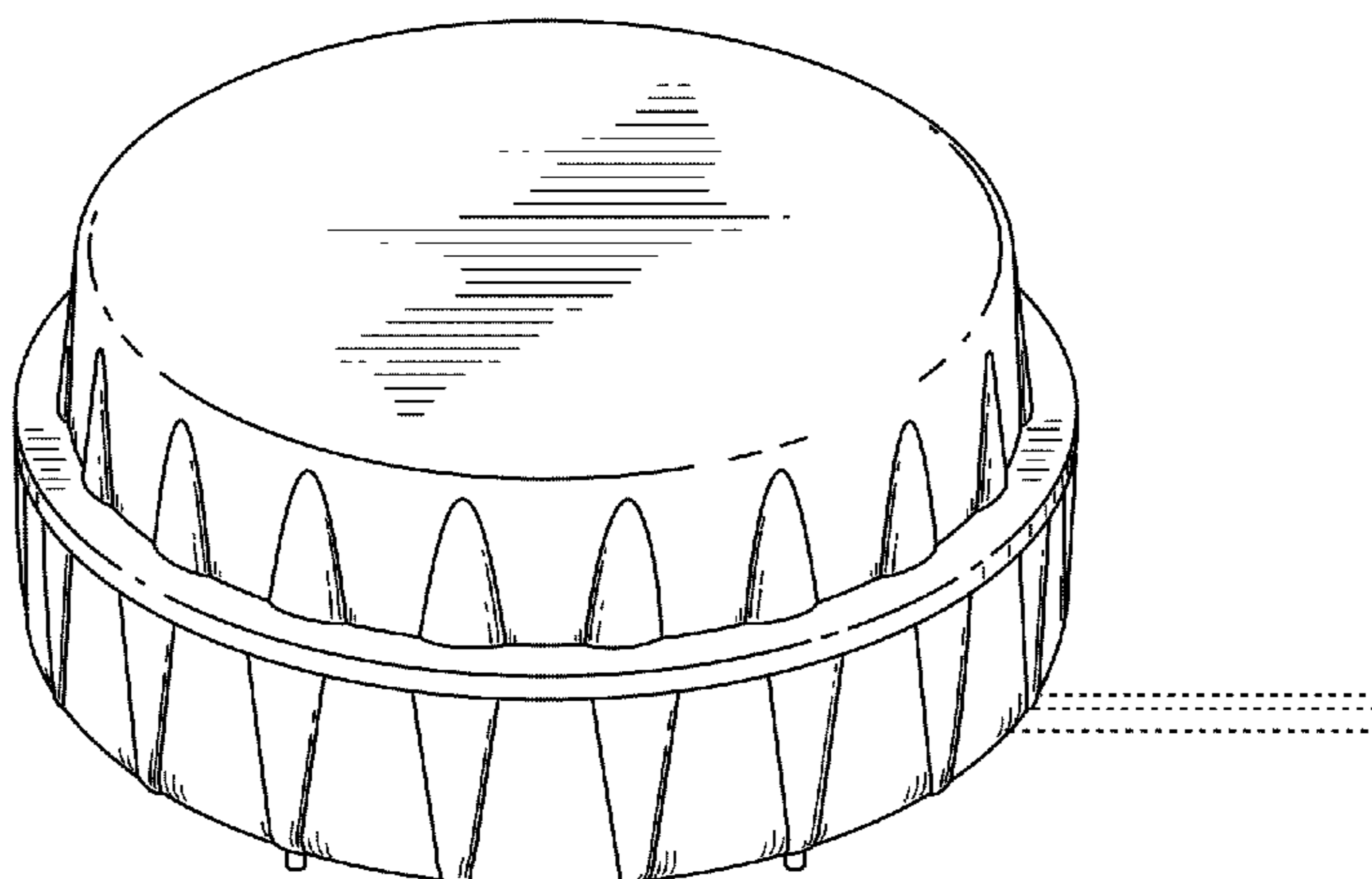
FIG. 5 is a second, opposite side elevation view of the design of FIG. 1;

FIG. 6 is a top plan view of the design of FIG. 1; and,

FIG. 7 is a bottom plan view of the design of FIG. 1.

The broken lines represent portions of the design that form no part of the claim.

1 Claim, 4 Drawing Sheets



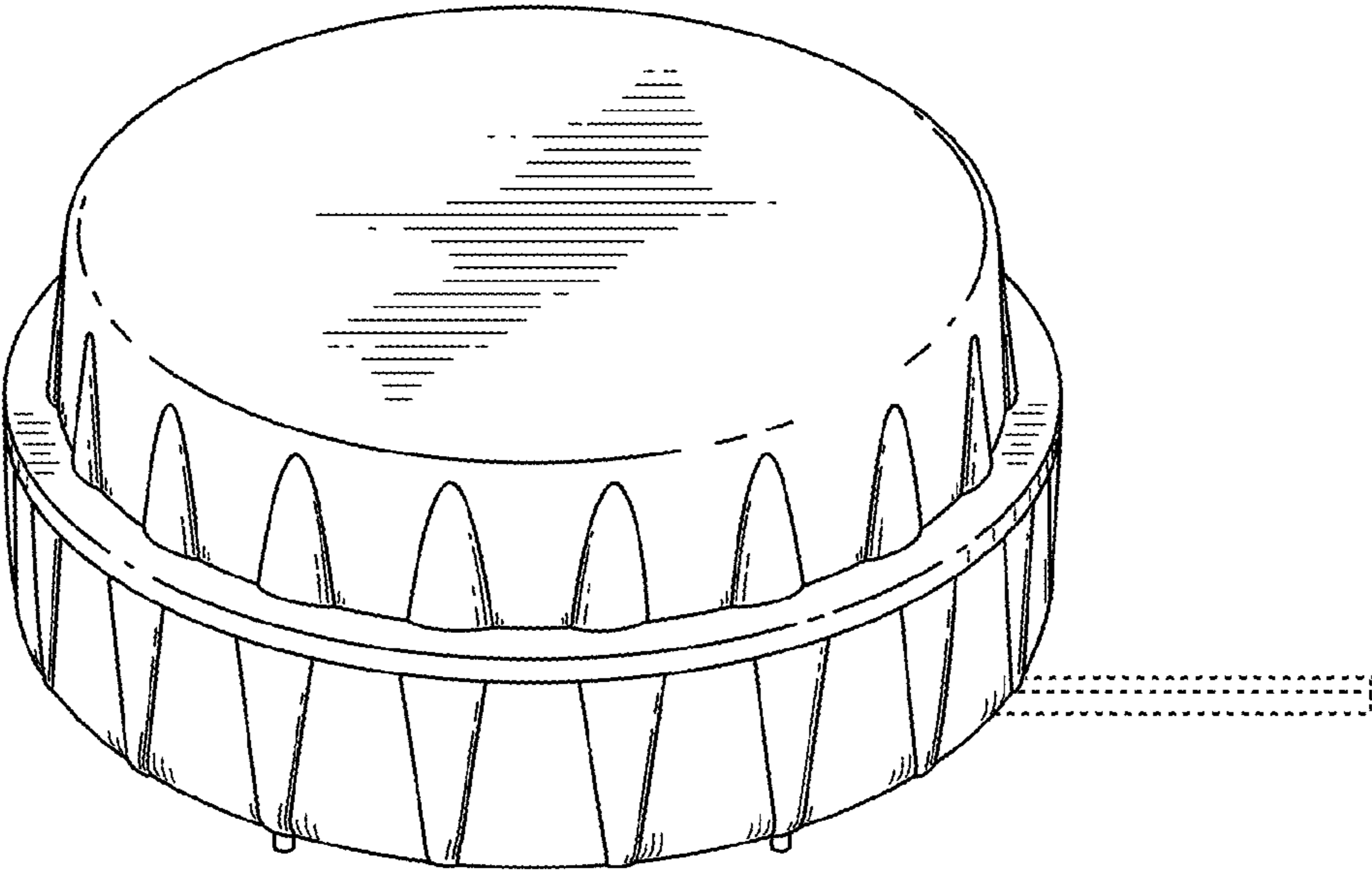


FIG. 1

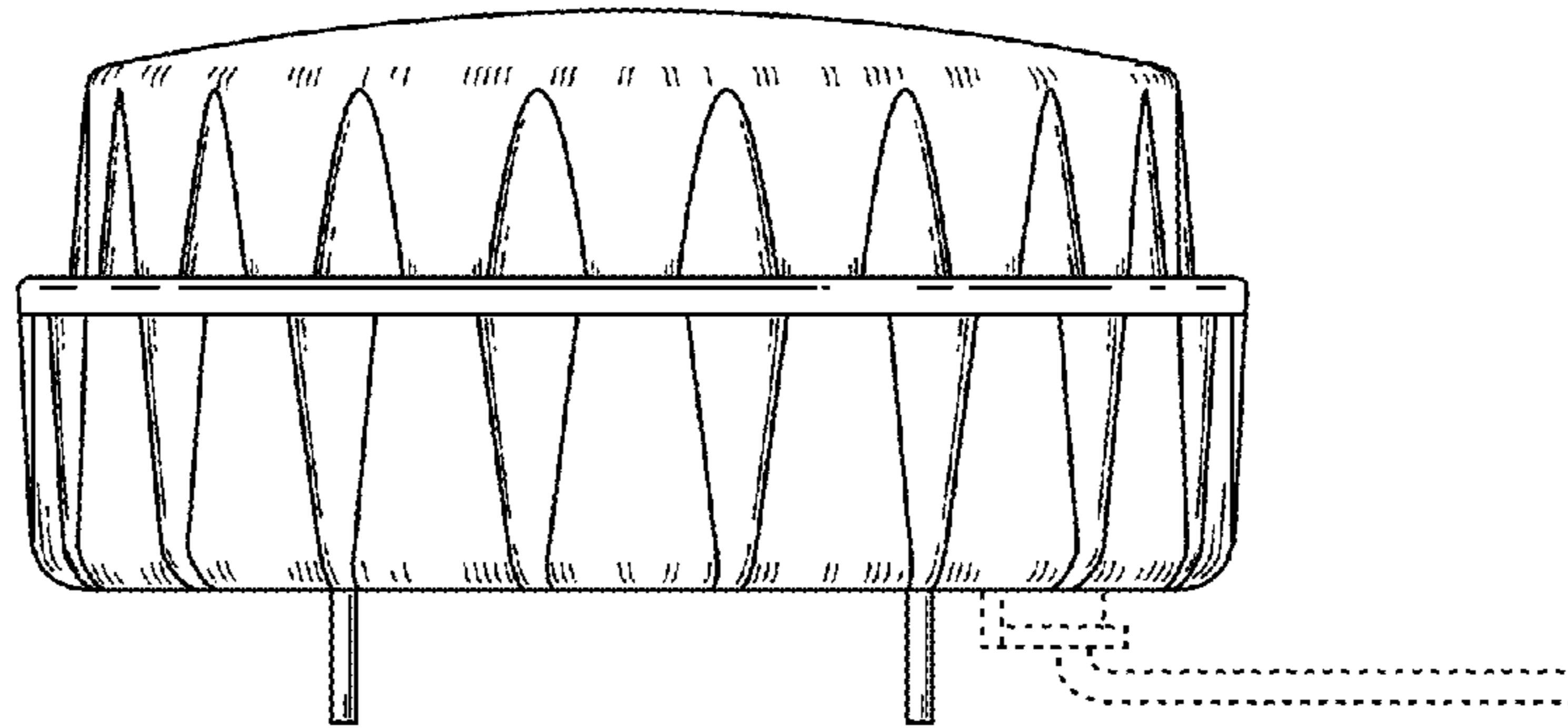


FIG. 2

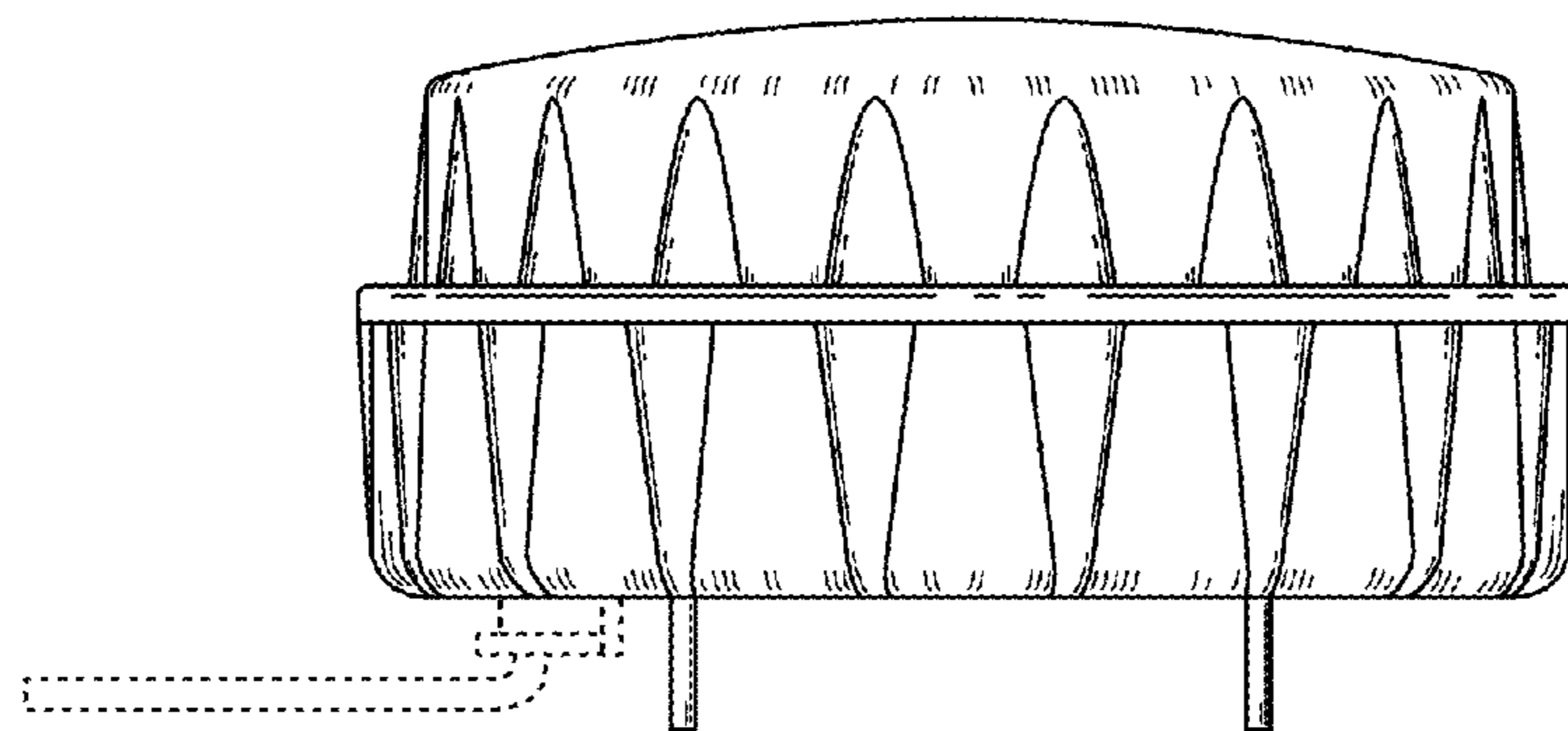


FIG. 3

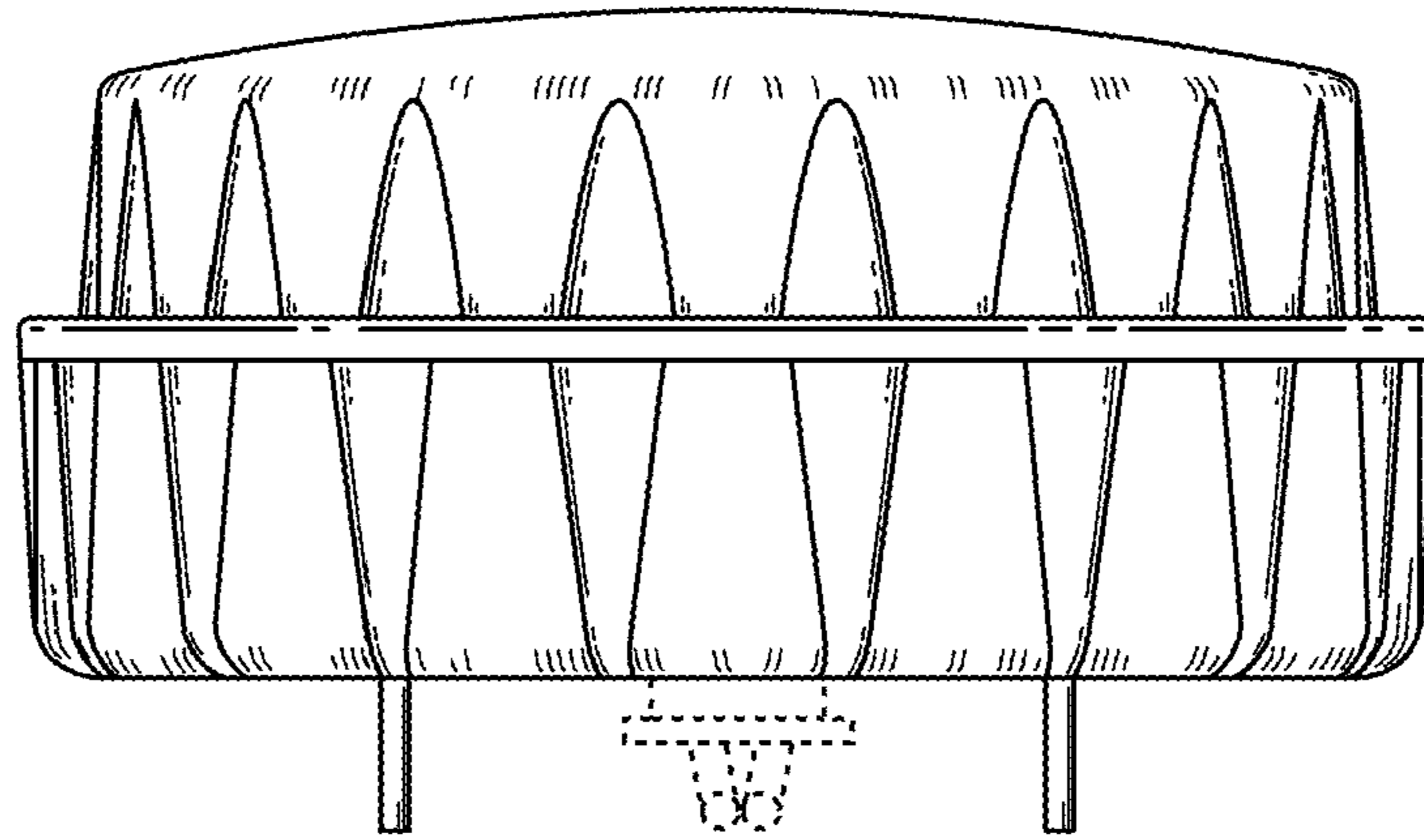


FIG. 4

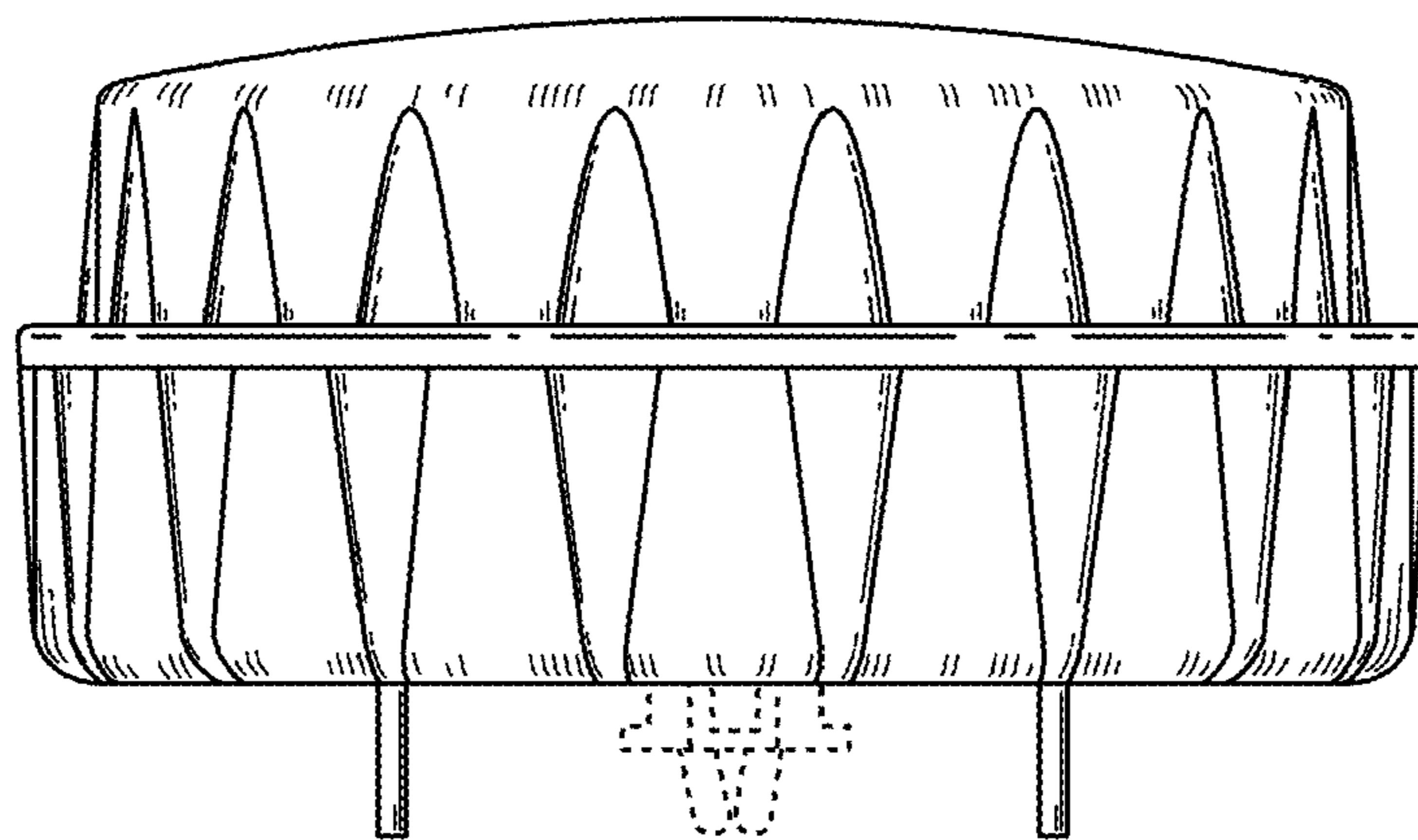


FIG. 5

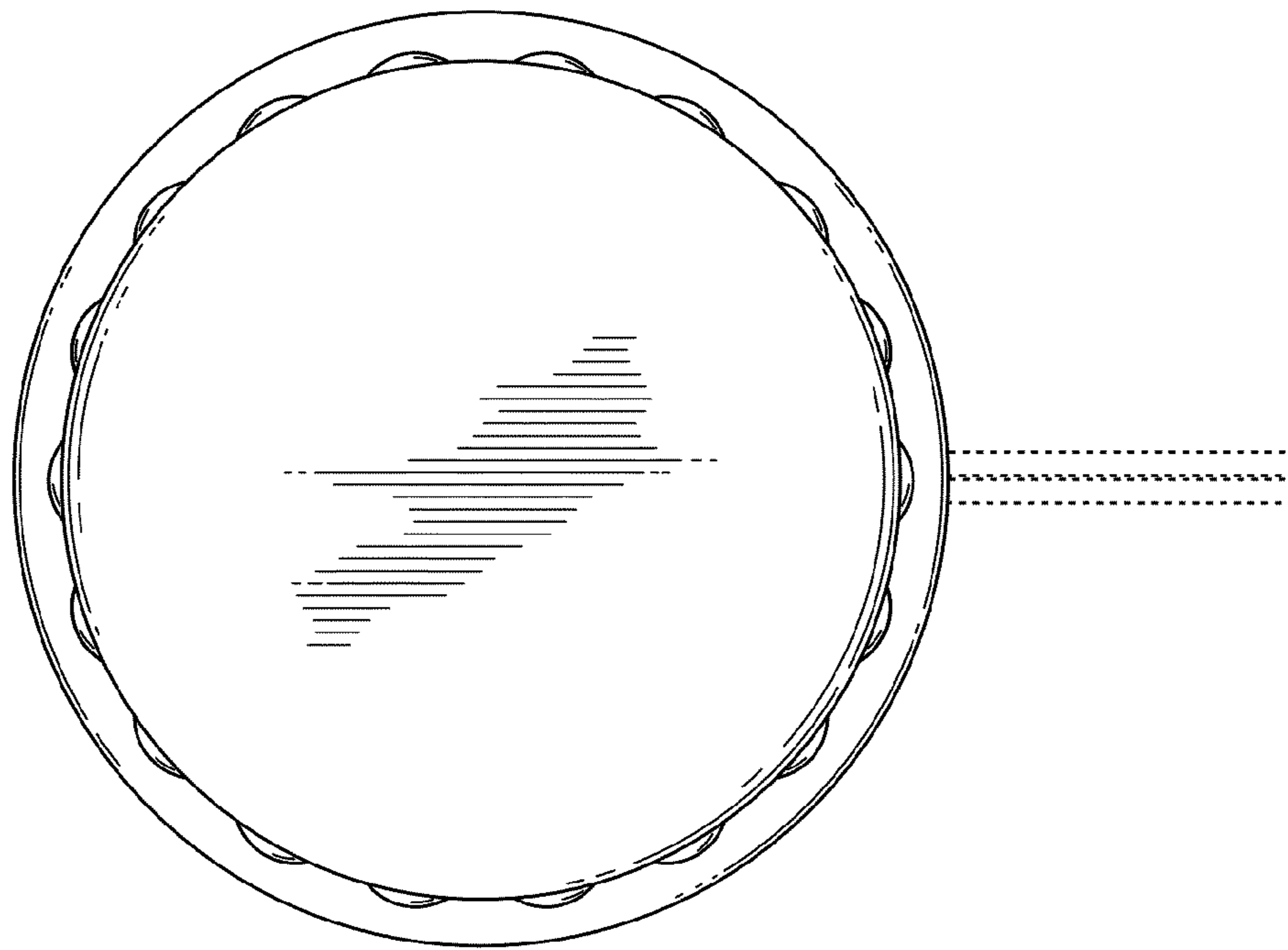


FIG. 6

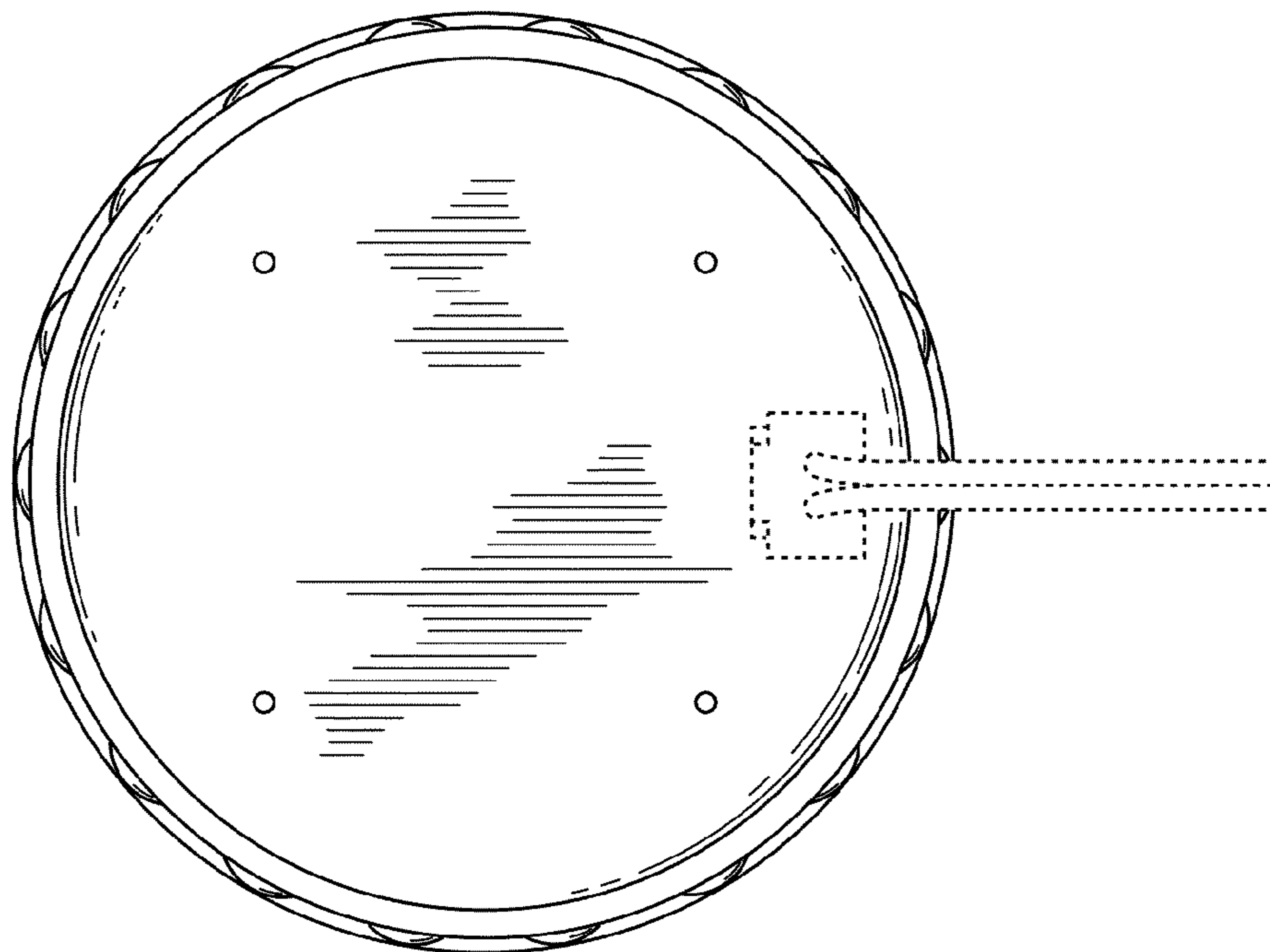


FIG. 7