



US00D675543S

(12) **United States Design Patent**  
**Brooking et al.**

(10) **Patent No.:** **US D675,543 S**

(45) **Date of Patent:** **\*\* Feb. 5, 2013**

(54) **MOISTURE DETECTION DEVICE**

(75) Inventors: **Michael J. Brooking**, Dong Guan (CN);  
**Christopher W. Barney**, Sandy, UT  
(US)

(73) Assignee: **Gizmode, LLC**, Sandy, UT (US)

(\*\*) Term: **14 Years**

(21) Appl. No.: **29/398,133**

(22) Filed: **Jul. 26, 2011**

(51) **LOC (9) Cl.** ..... **10-04**

(52) **U.S. Cl.** ..... **D10/56**

(58) **Field of Classification Search** ..... D10/56;  
73/40, 116; 340/602, 603, 604, 605, 618,  
340/620; 361/93.6

See application file for complete search history.

(56) **References Cited**

**U.S. PATENT DOCUMENTS**

D261,243 S	10/1981	Mintz	
D261,998 S	11/1981	Munz	
4,484,573 A *	11/1984	Yoo	128/886
5,180,554 A *	1/1993	Yamaguchi et al.	422/86
D336,861 S *	6/1993	Nicholas	D10/56
D476,586 S	7/2003	Nash	
6,690,281 B2	2/2004	Palmer	
6,873,263 B1	3/2005	Hohman	
6,972,395 B2	12/2005	Jones	
D618,567 S	6/2010	Brooking	
D619,023 S	7/2010	Brooking et al.	
8,184,009 B1 *	5/2012	Kim	340/602
2010/0154507 A1 *	6/2010	Matonick	73/1.72

**OTHER PUBLICATIONS**

The Water Alarm, <http://www.thewateralarm.com>, pp. 1-2, accessed Mar. 2, 2010.

Water Alarm, <http://www.amazon.com/Water-Alarm-Detects-Leaks-Saves/dp/B000JOK11K>, pp. 1-5, accessed Mar. 2, 2010.  
General Tools WA500 Water Leak Alarm, [http://www.amazon.com/General-Tools-WA500-Water-Alarm/dp/B0010EIFNW/ref=pd\\_sbs\\_k\\_4](http://www.amazon.com/General-Tools-WA500-Water-Alarm/dp/B0010EIFNW/ref=pd_sbs_k_4), pp. 1-5, accessed Mar. 2, 2010.  
The Water Alarm, <http://www.thewateralarm.com/wateralarm/pc/The-Water-Alarm-c2.htm>.  
Water Alarm, <http://www.amazon.com/Water-Alarm-Detects-Leaks-Saves/dp/B000JOK11K>.  
General Tools WA500 Water Leak Alarm, [http://www.amazon.com/General-Tools-WA500-Water-Alarm/dp/B001CEIFNW/ref=pd\\_sbs\\_k\\_4](http://www.amazon.com/General-Tools-WA500-Water-Alarm/dp/B001CEIFNW/ref=pd_sbs_k_4).

\* cited by examiner

*Primary Examiner* — Antoine D Davis

(74) *Attorney, Agent, or Firm* — Warren M. Pate, LLC

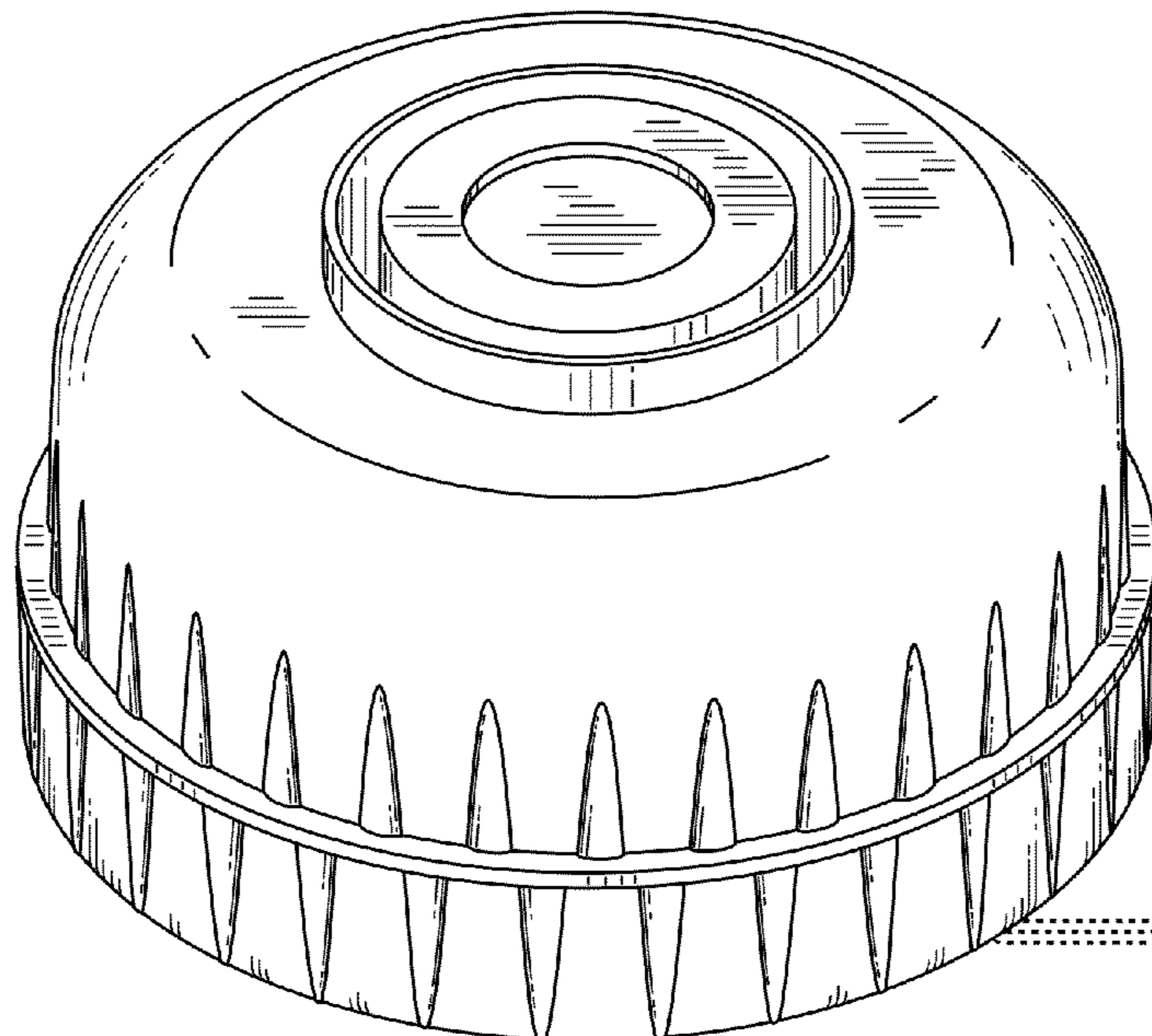
(57) **CLAIM**

The ornamental design for a moisture detection device, as shown and described.

**DESCRIPTION**

FIG. 1 is a perspective view of a moisture detection device in accordance with our new design;  
FIG. 2 is a front elevation view of the design of FIG. 1;  
FIG. 3 is a rear elevation view of the design of FIG. 1;  
FIG. 4 is a first side elevation view of the design of FIG. 1;  
FIG. 5 is a second, opposite side elevation view of the design of FIG. 1;  
FIG. 6 is a top plan view of the design of FIG. 1; and,  
FIG. 7 is a bottom plan view of the design of FIG. 1.  
The broken lines represent portions of the design that form no part of the claim.

**1 Claim, 4 Drawing Sheets**



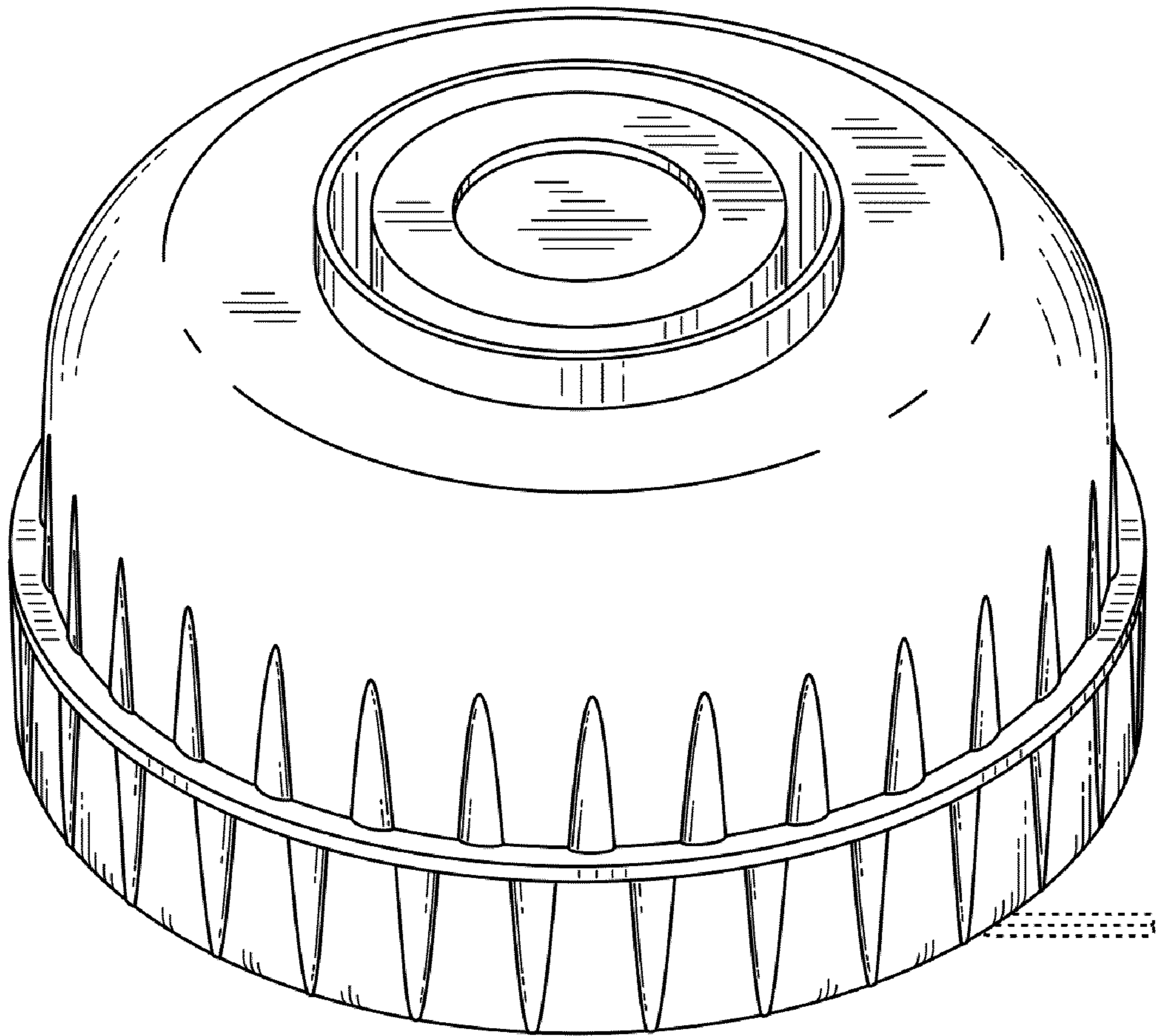


FIG. 1

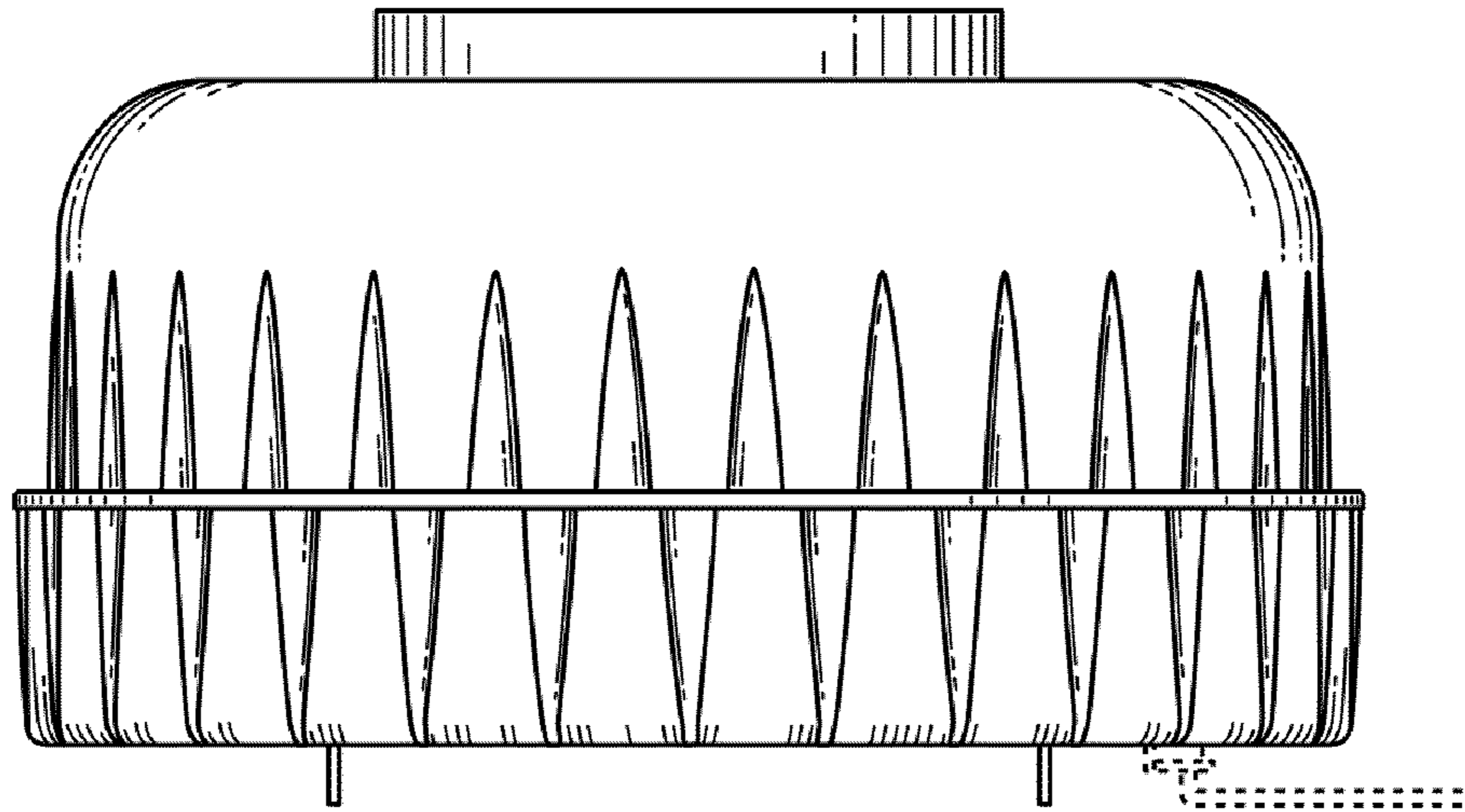


FIG. 2

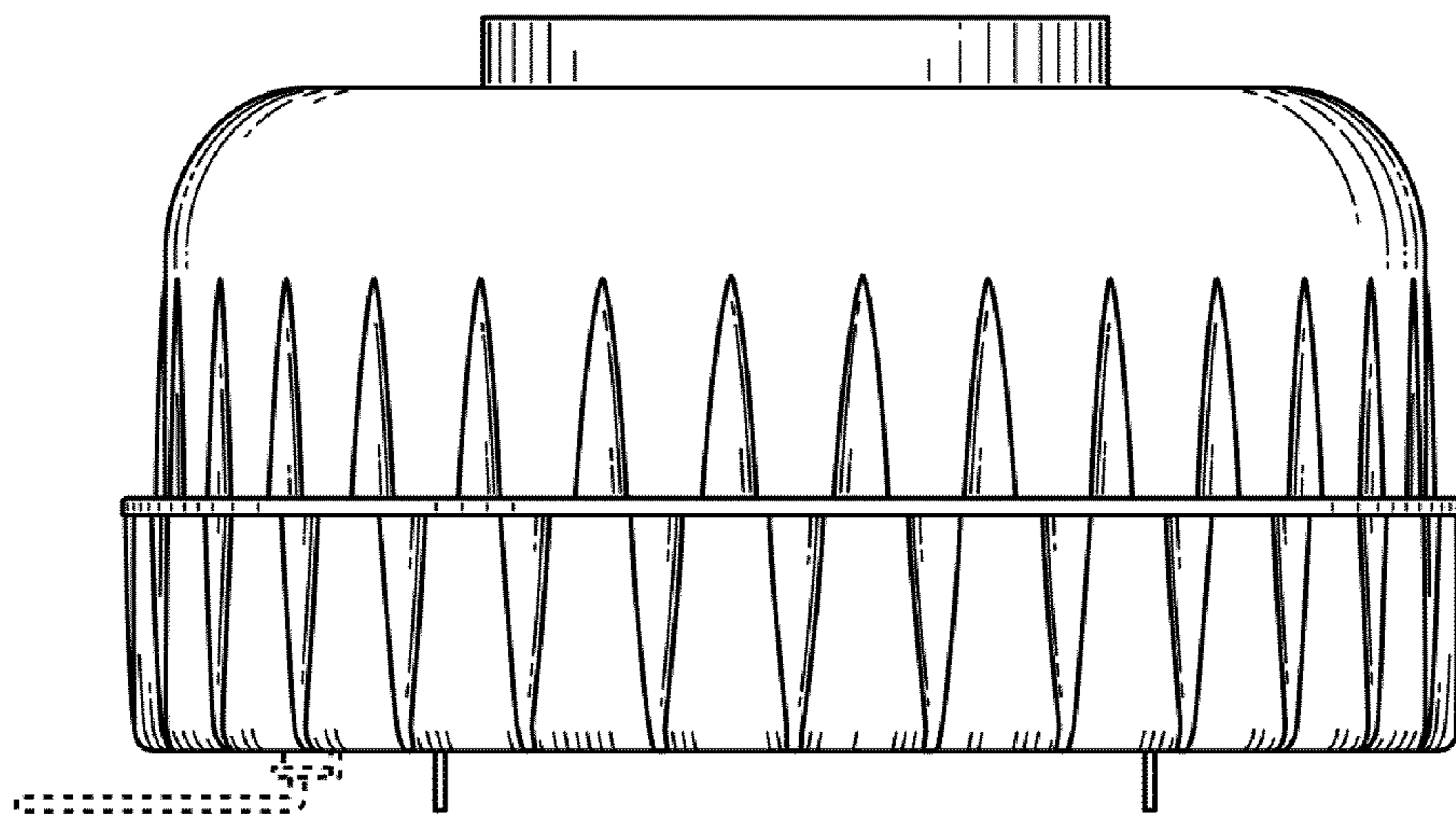


FIG. 3



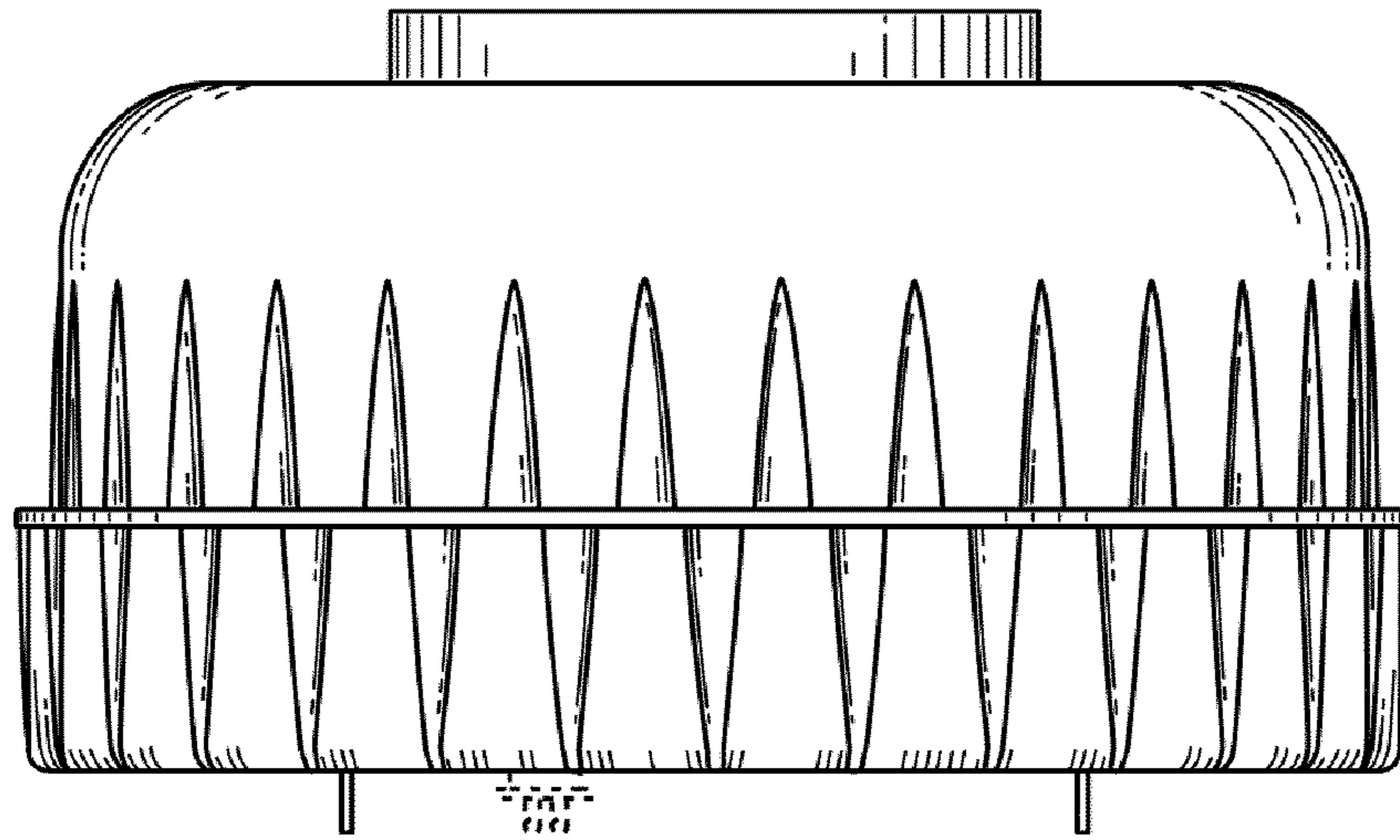


FIG. 4

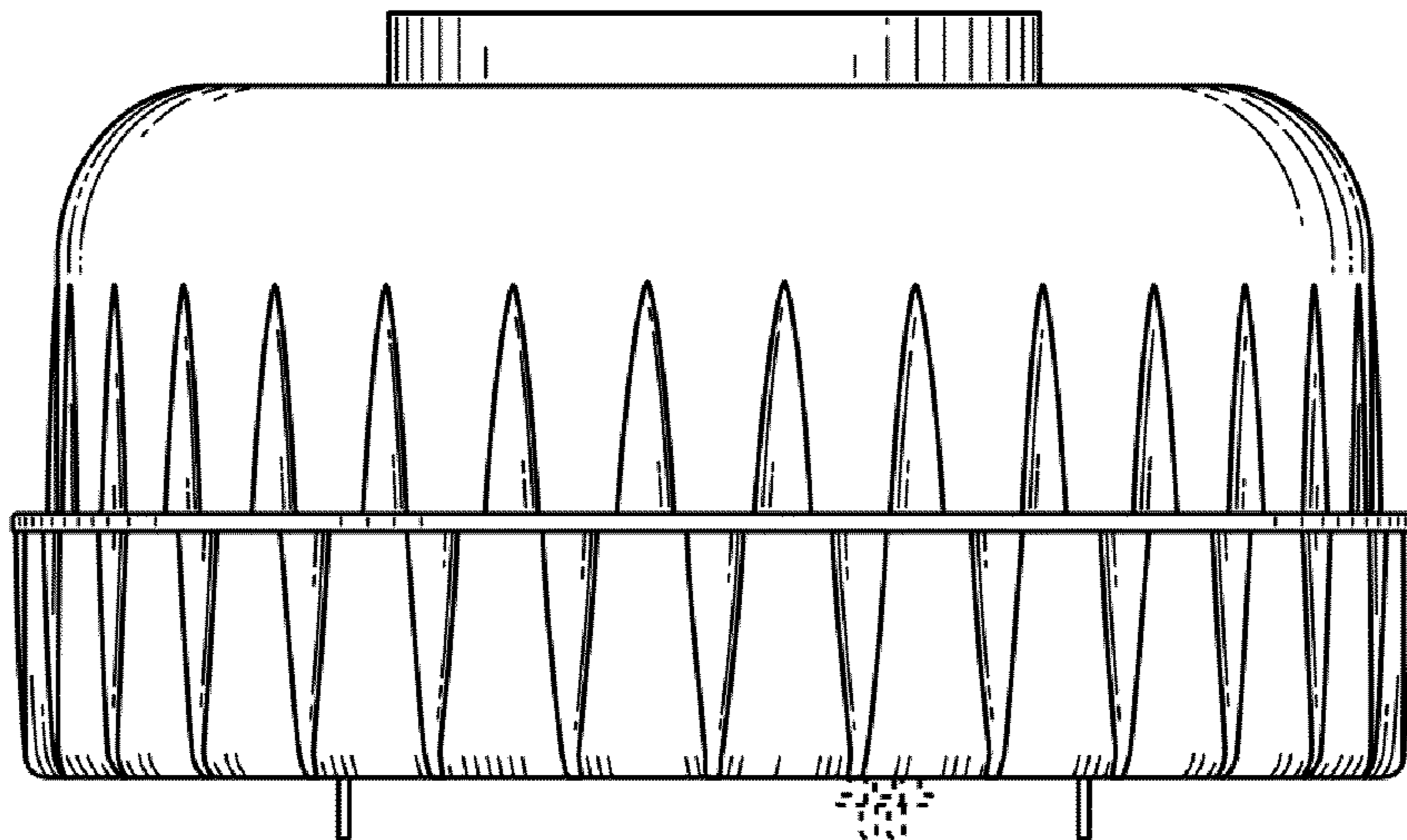


FIG. 5

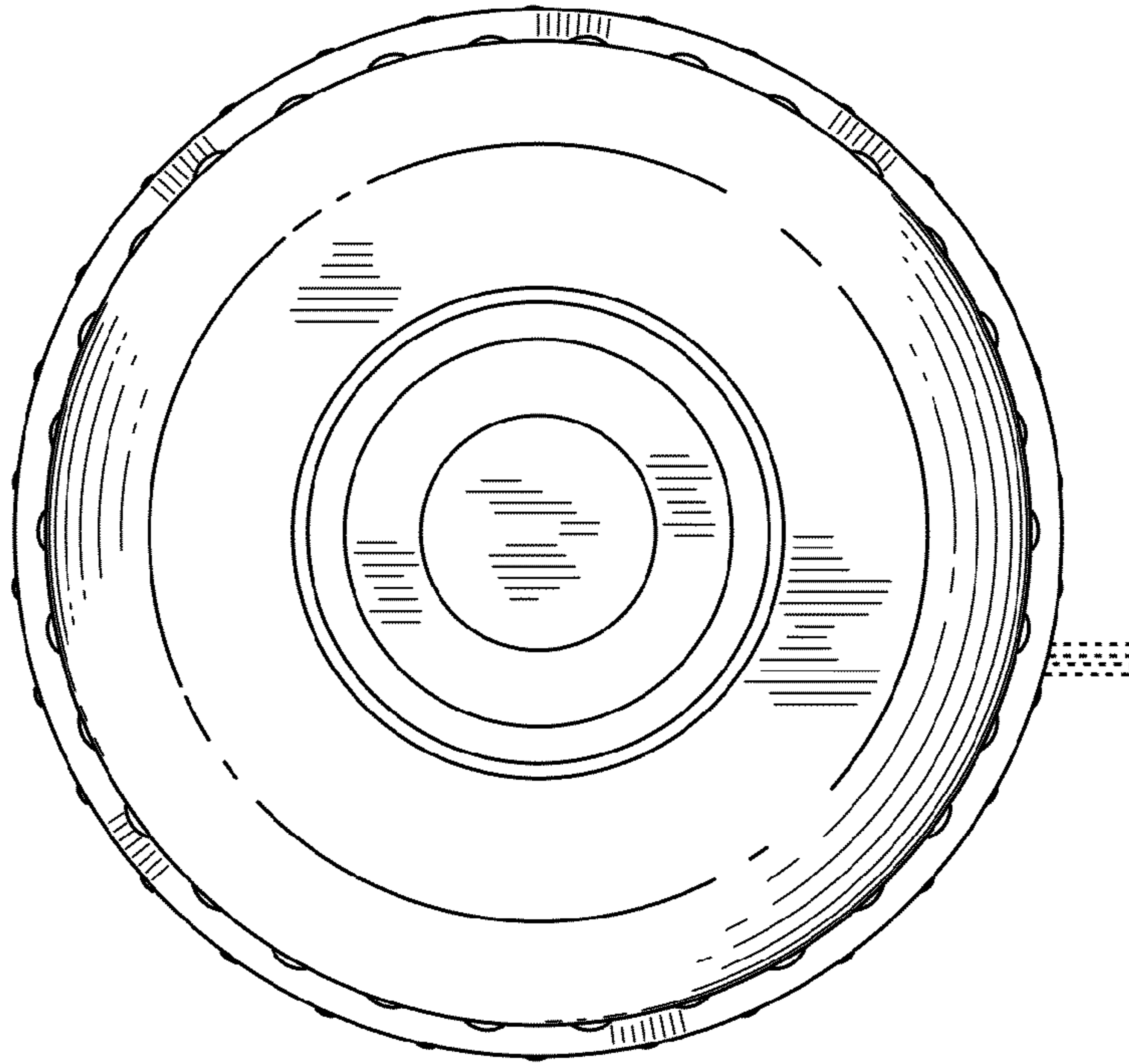


FIG. 6

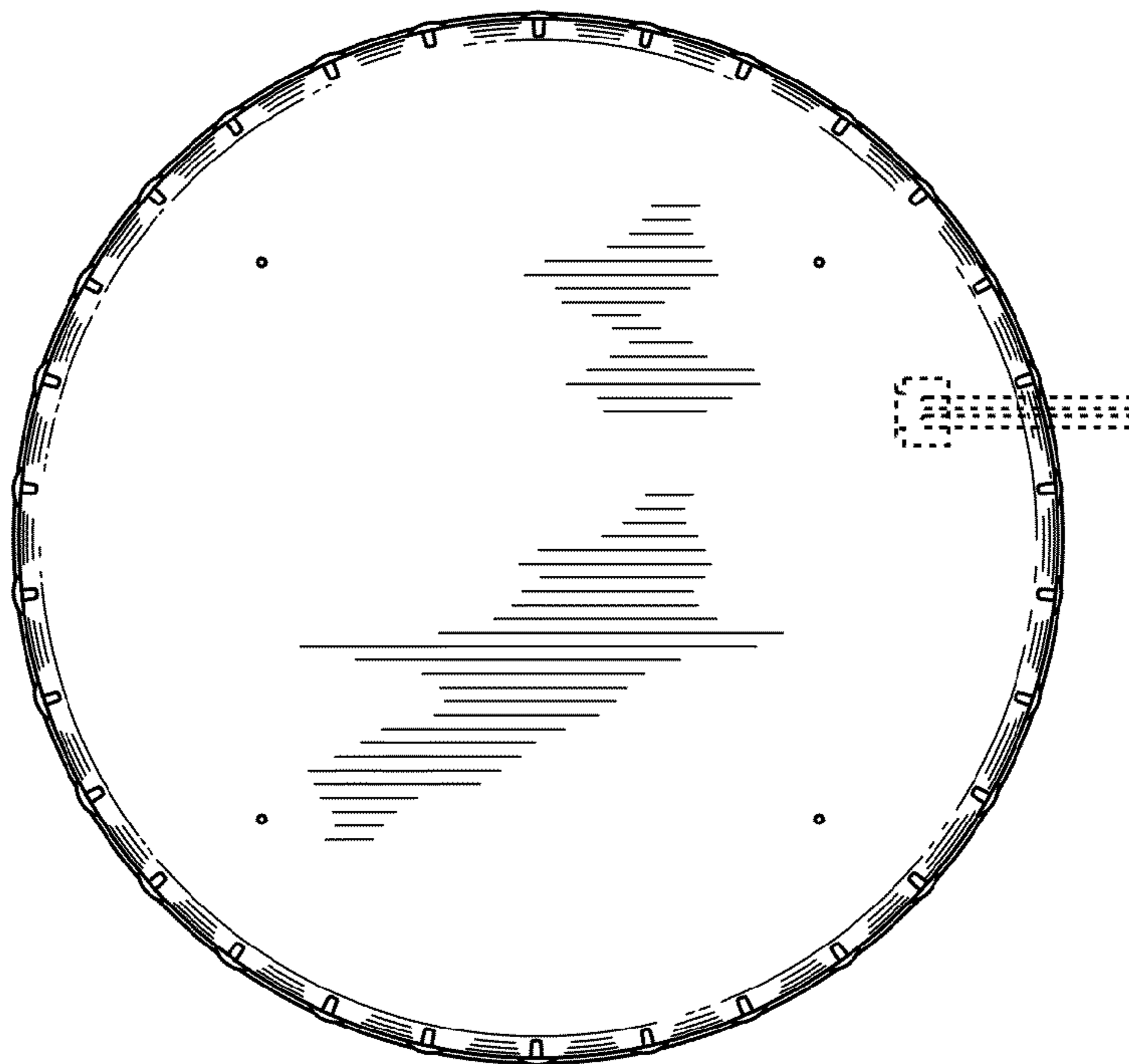


FIG. 7