

US00D675540S

(12) **United States Design Patent**
Montminy

(10) **Patent No.:** **US D675,540 S**

(45) **Date of Patent:** **** Feb. 5, 2013**

(54) **PAINT SYRINGE**

(76) Inventor: **Robert Montminy**, Salem, MA (US)

(**) Term: **14 Years**

(21) Appl. No.: **29/399,408**

(22) Filed: **Aug. 12, 2011**

(51) **LOC (9) Cl.** **09-01**

(52) **U.S. Cl.** **D9/724; D24/114**

(58) **Field of Classification Search** D9/516,
D9/574, 682-694, 723-729; 215/381-385;
220/660, 669; D24/112-114

See application file for complete search history.

(56) **References Cited**

U.S. PATENT DOCUMENTS

| | | | | | |
|-----------|-----|---------|-----------------|-------|---------|
| 3,884,231 | A * | 5/1975 | Peters | | 604/218 |
| 5,515,663 | A * | 5/1996 | Allgeier et al. | | 53/467 |
| D460,485 | S * | 7/2002 | Keda | | D19/43 |
| D483,861 | S * | 12/2003 | Law et al. | | D24/114 |

| | | | | | |
|----------|-----|---------|--------------|-------|---------|
| D487,149 | S * | 2/2004 | Farris | | D24/130 |
| D578,210 | S * | 10/2008 | Muta et al. | | D24/114 |
| D618,347 | S * | 6/2010 | Bradshaw | | D24/141 |
| D660,180 | S * | 5/2012 | Floyd et al. | | D9/723 |

* cited by examiner

Primary Examiner — Keli L Hill

(74) *Attorney, Agent, or Firm* — Daniel N. Smith

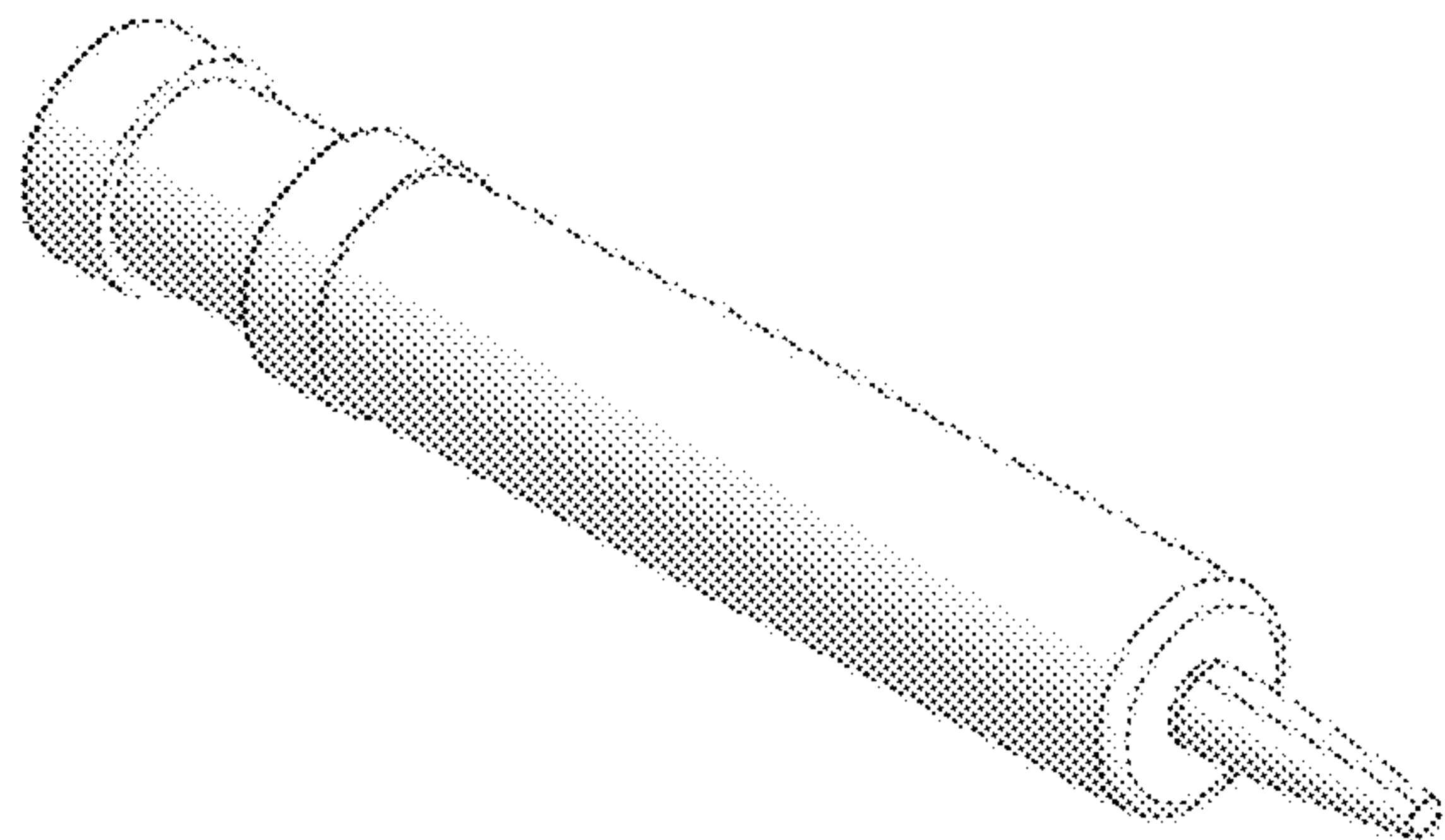
(57) **CLAIM**

The ornamental design for a paint syringe, as shown and described.

DESCRIPTION

FIG. 1 is a front perspective view of a paint syringe showing my new design;
FIG. 2 is a rear perspective view of the paint syringe;
FIG. 3 is a left side elevational view of the paint syringe;
FIG. 4 is a right side elevational view of the paint syringe;
FIG. 5 is a rear view of the paint syringe; and,
FIG. 6 is a front view of the paint syringe.

1 Claim, 3 Drawing Sheets



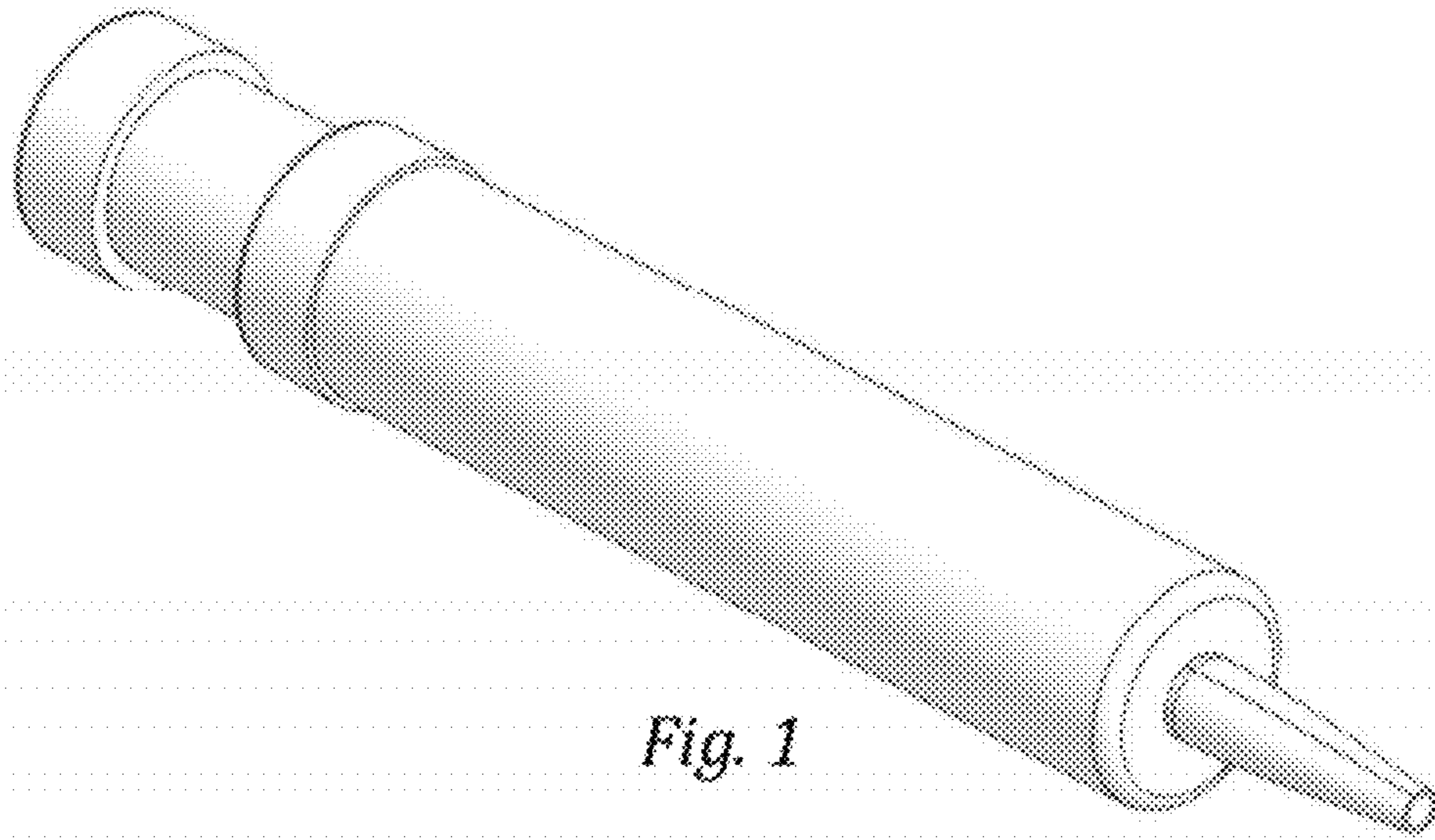


Fig. 1

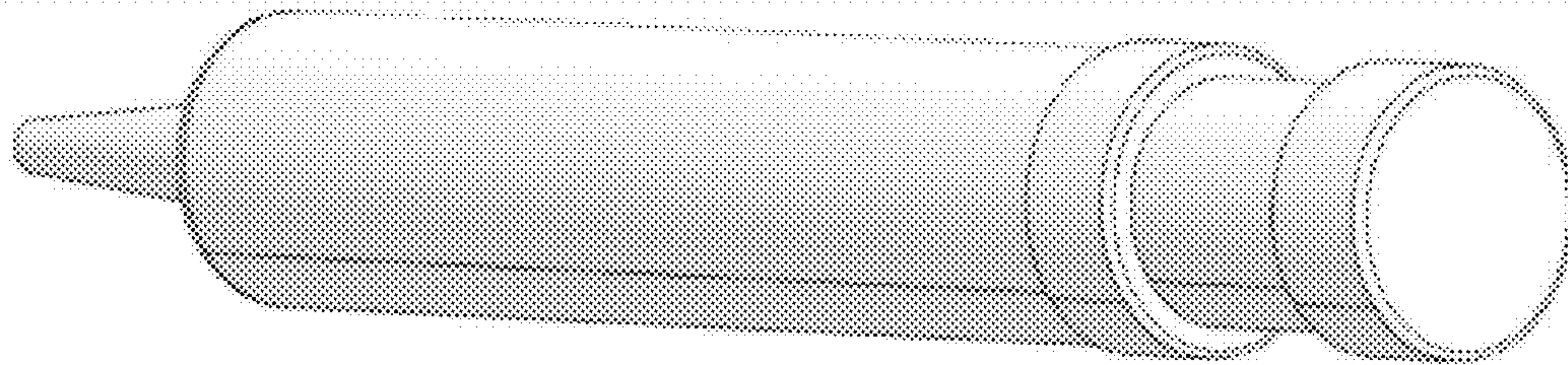


Fig. 2

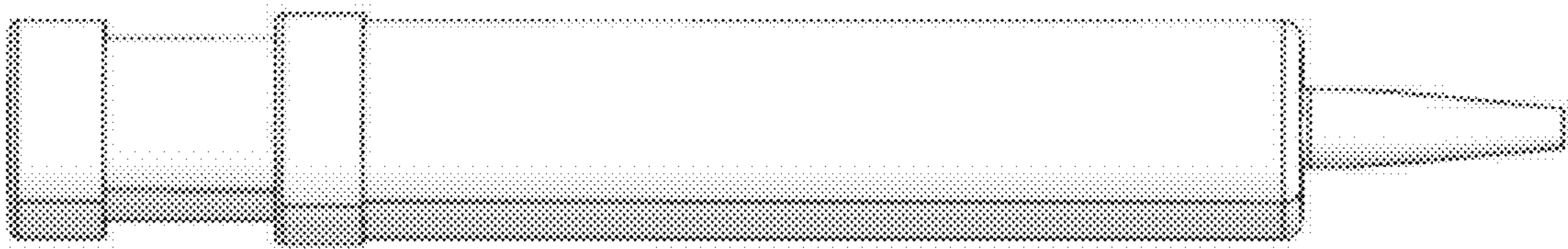


Fig. 3

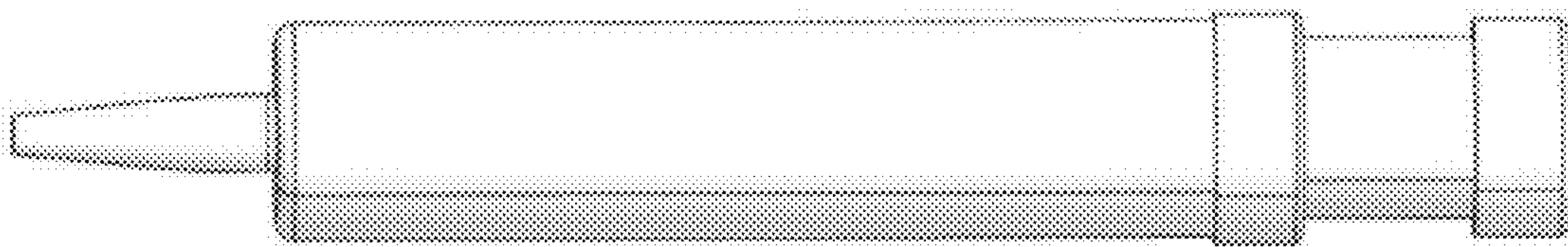


Fig. 4

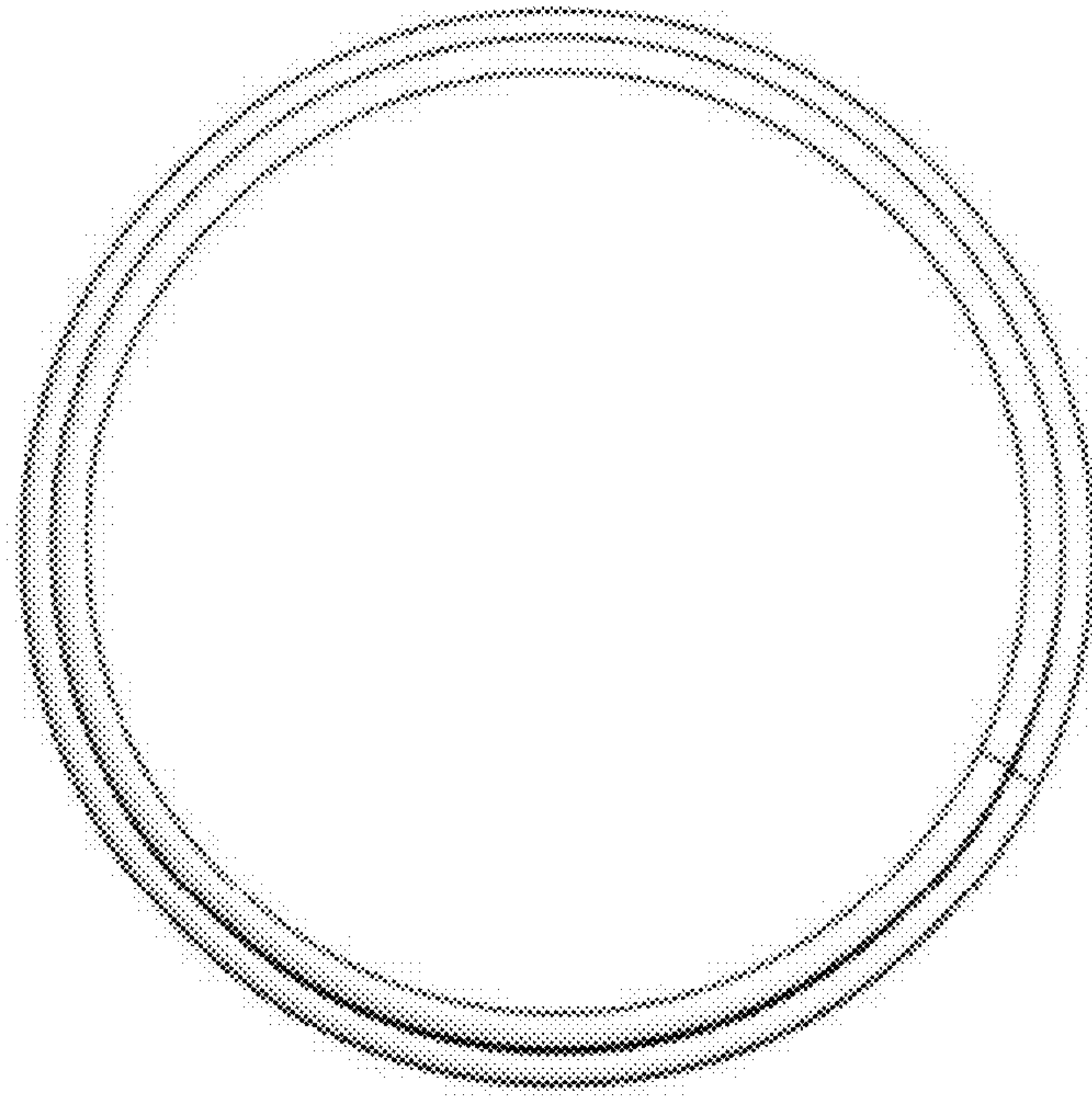


Fig. 5

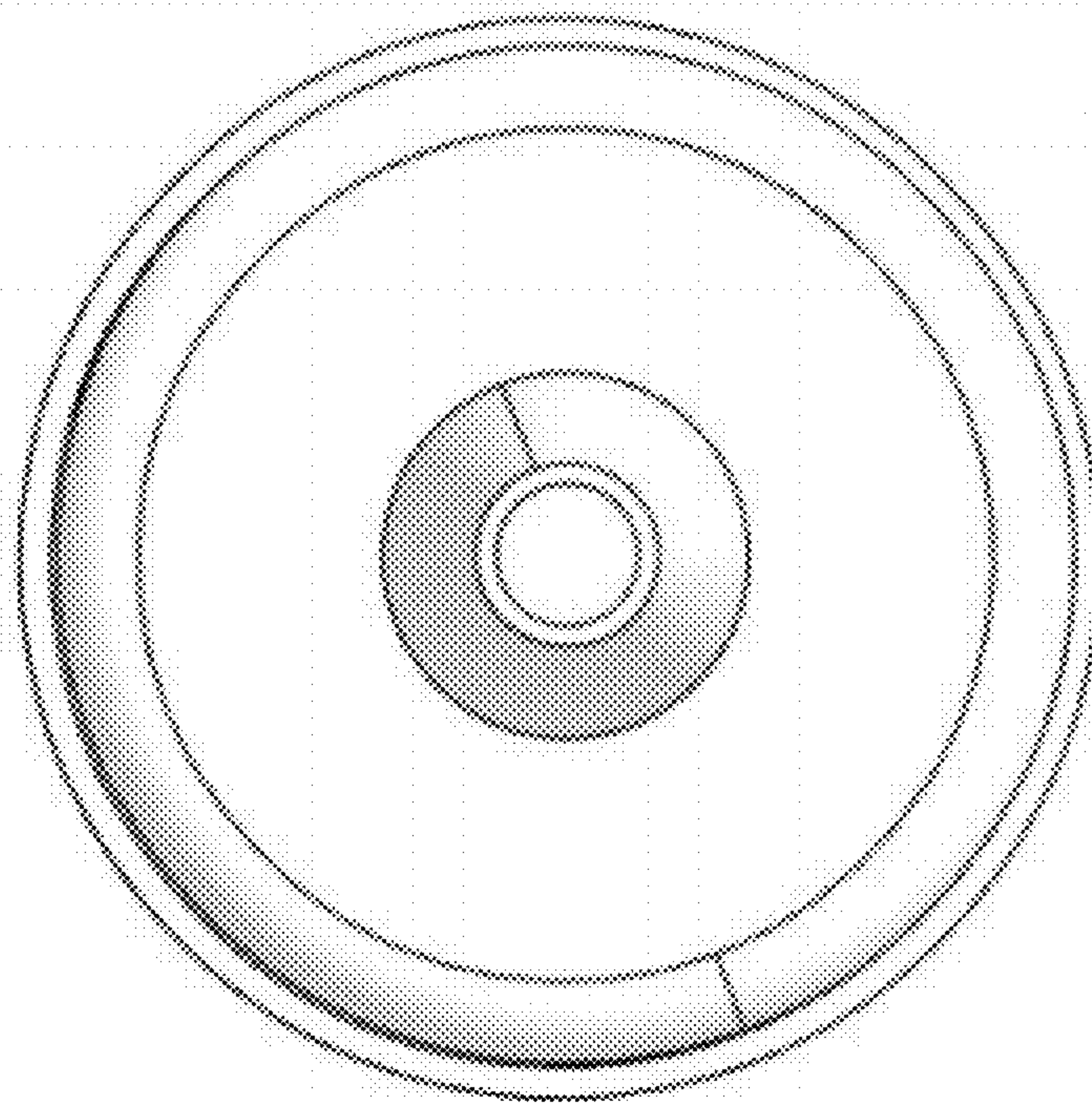


Fig. 6