



US00D675539S

(12) **United States Design Patent**  
**Biglarians**

(10) **Patent No.:** **US D675,539 S**

(45) **Date of Patent:** **\*\* Feb. 5, 2013**

(54) **MULTI-CONTAINER TOBACCO PACKAGE**

(75) **Inventor:** **Patrick Biglarians**, Stafford, TX (US)

(73) **Assignee:** **Haze Tobacco LLC**, Stafford, TX (US)

(\*\*) **Term:** **14 Years**

(21) **Appl. No.:** **29/393,500**

(22) **Filed:** **Jun. 6, 2011**

(51) **LOC (9) Cl.** ..... **09-03**

(52) **U.S. Cl.** ..... **D9/721**

(58) **Field of Classification Search** ..... D9/337,  
D9/414, 415, 418, 423, 424, 425, 426, 430,  
D9/432, 434, 455, 456, 457, 715, 721, 722,  
D9/737; 206/192, 199, 201, 203, 214, 216,  
206/223, 236, 239, 242, 248, 419, 432, 515,  
206/820, 823; D7/323, 326

See application file for complete search history.

(56) **References Cited**

**U.S. PATENT DOCUMENTS**

1,290,965	A *	1/1919	Gallaher	.....	220/6
D120,125	S *	4/1940	Korda	.....	D9/751
2,597,377	A *	5/1952	Robinson	.....	206/392
3,392,902	A *	7/1968	Donovan	.....	206/521.1
3,490,582	A *	1/1970	Farquhar	.....	206/419

D252,072	S *	6/1979	Bridges	.....	D3/203.3
D255,085	S *	5/1980	Free et al.	.....	D7/368
5,195,633	A *	3/1993	Kaminski	.....	206/315.9
D351,787	S *	10/1994	Hansen	.....	D9/751
D423,864	S *	5/2000	Chang et al.	.....	D7/323
D433,939	S *	11/2000	Humphrey	.....	D9/418
D650,269	S *	12/2011	Berggren	.....	D9/428
D658,943	S *	5/2012	Galinski	.....	D7/505
2005/0126946	A1 *	6/2005	Holley	.....	206/427
2010/0012534	A1 *	1/2010	Hoffman	.....	206/265

\* cited by examiner

*Primary Examiner* — Stella Reid

*Assistant Examiner* — Lauren Calve

(74) *Attorney, Agent, or Firm* — Egbert Law Offices, PLLC

(57) **CLAIM**

The ornamental design for a multi-container tobacco pack-  
age, as shown and described.

**DESCRIPTION**

FIG. 1 is an upper perspective view of the multi-container  
tobacco package showing my design.

FIG. 2 is a front view thereof, a back view being identical.

FIG. 3 is a top view thereof;

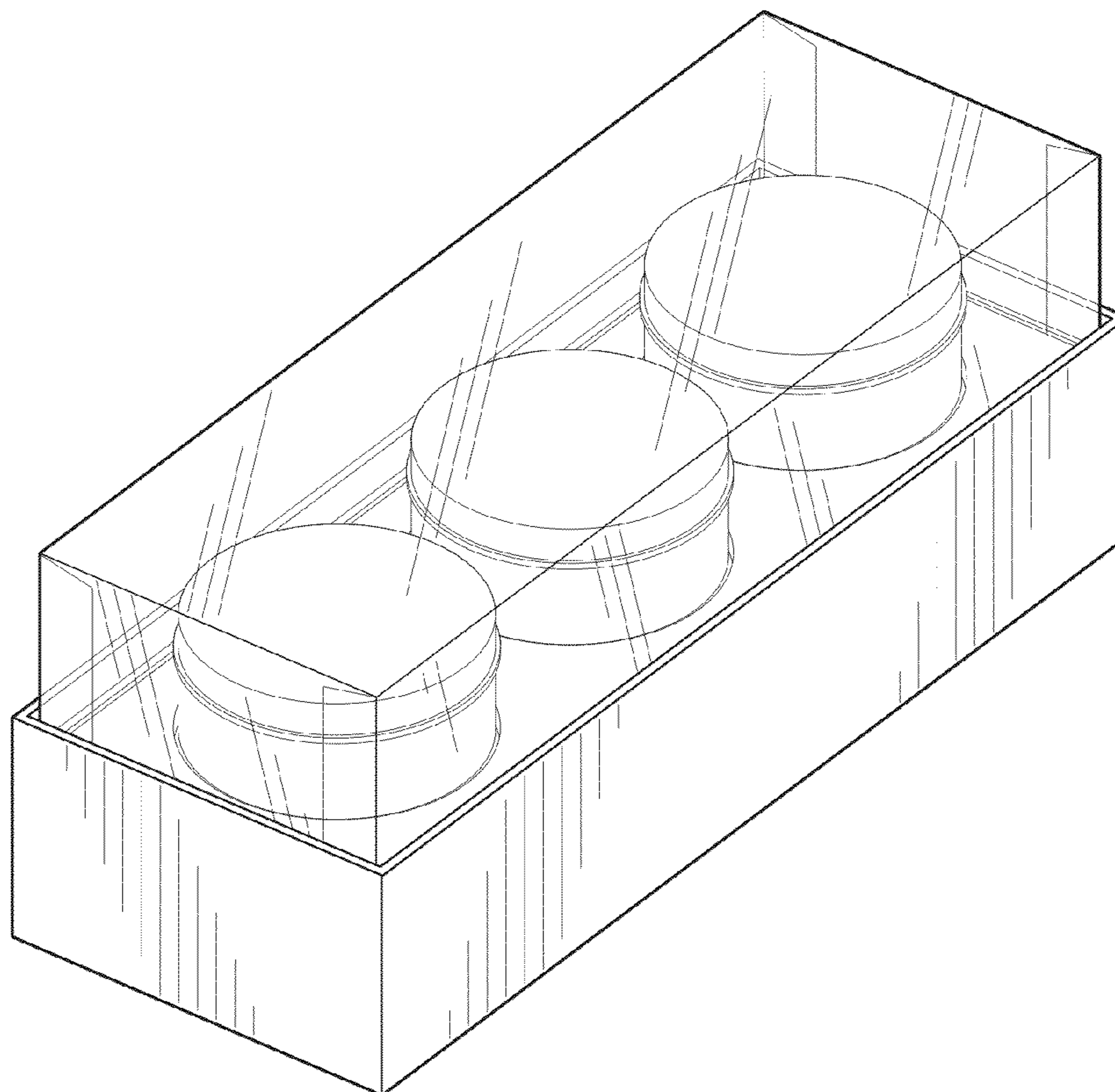
FIG. 4 is a bottom view thereof;

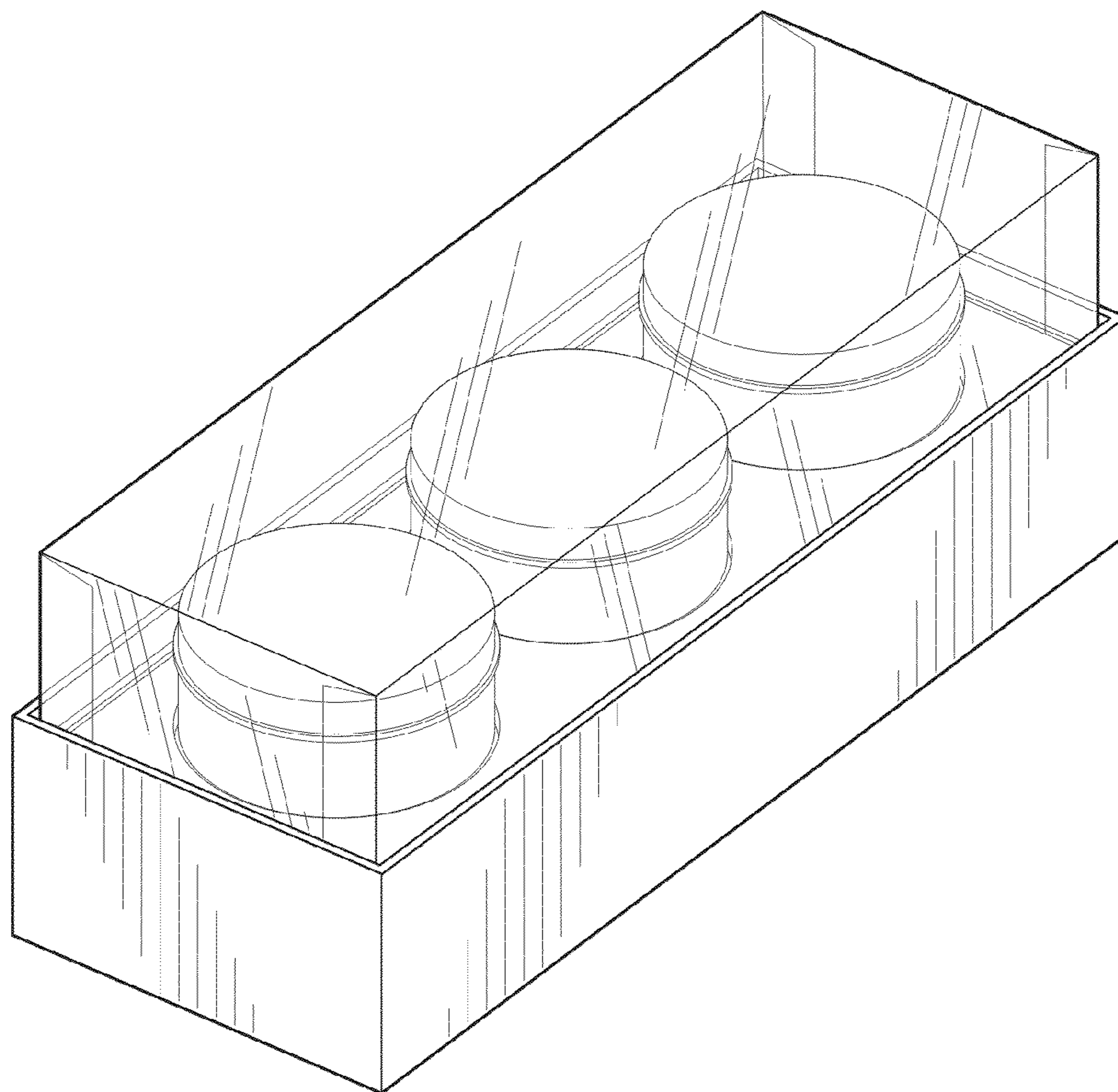
FIG. 5 is a side view thereof;

FIG. 6 is an opposite side view thereof; and,

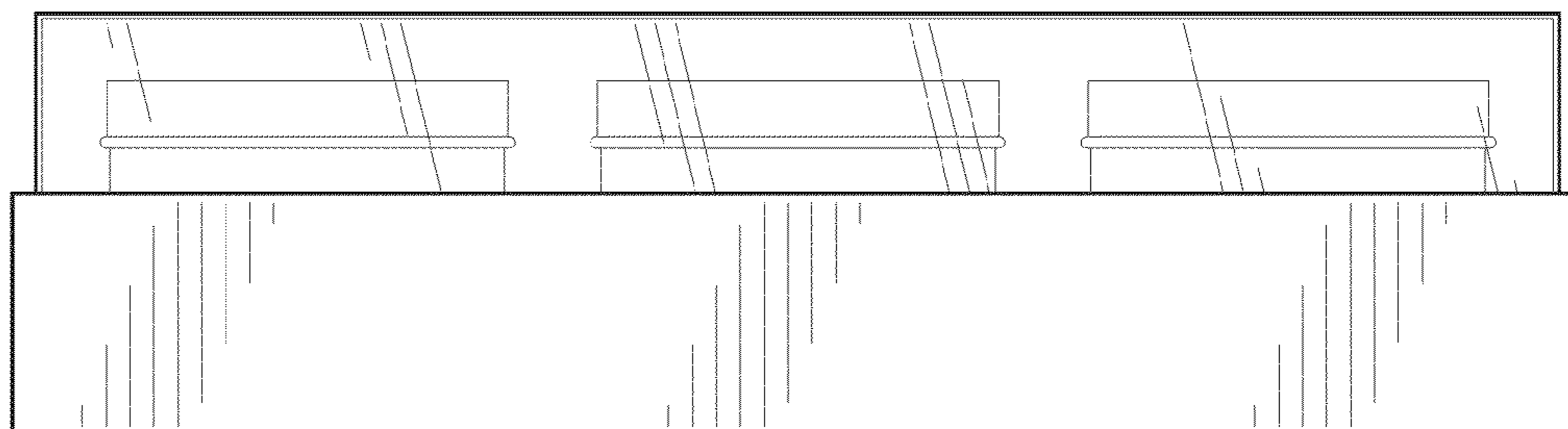
FIG. 7 is an exploded perspective view thereof.

**1 Claim, 3 Drawing Sheets**

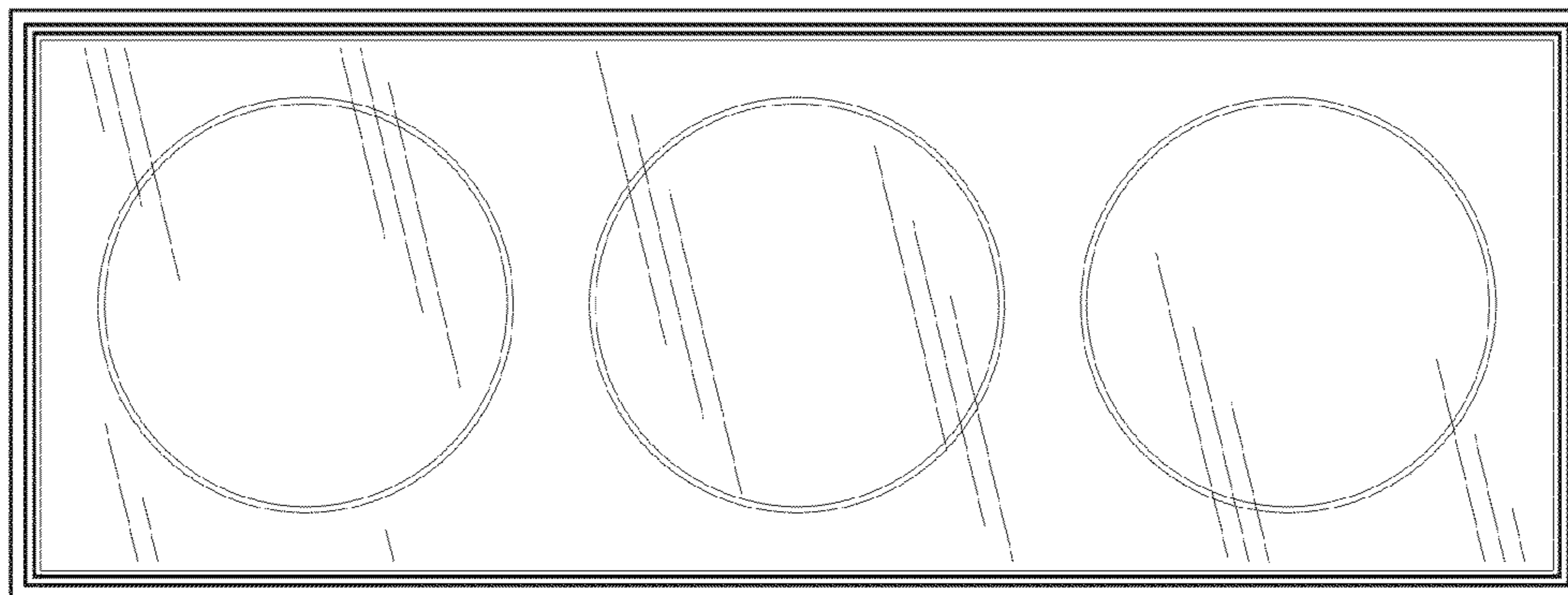




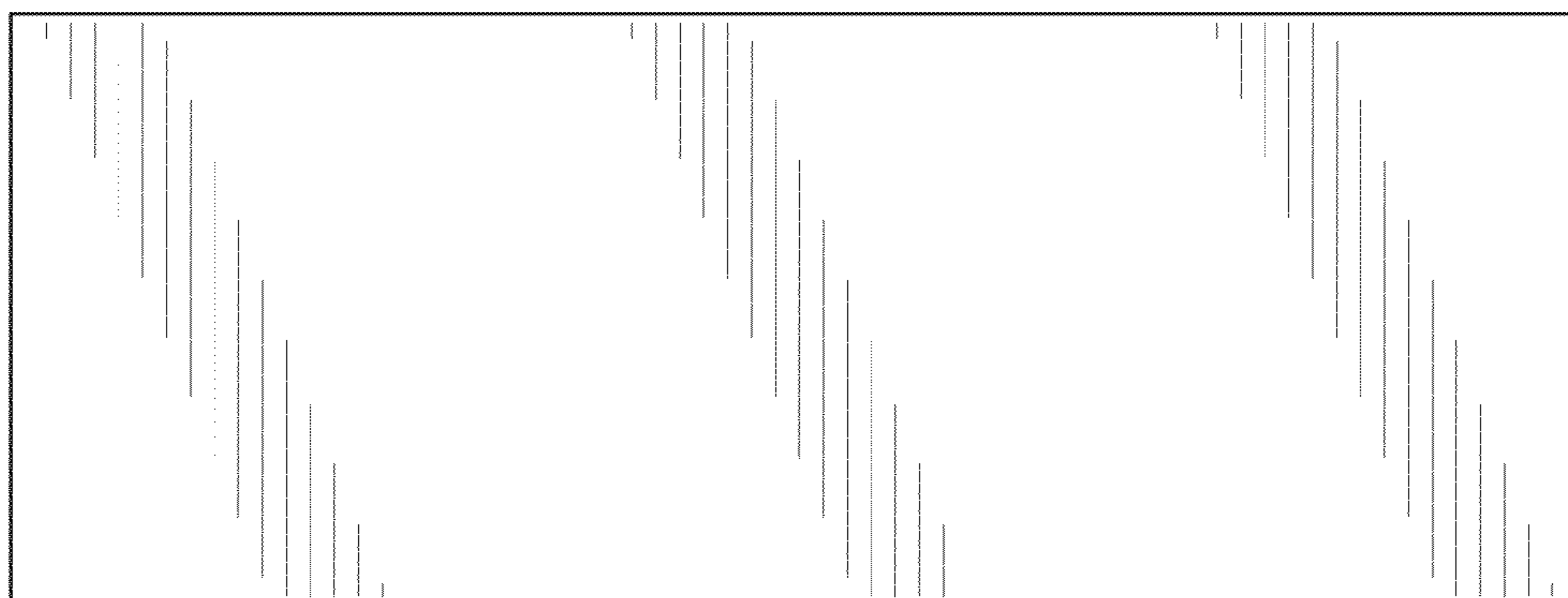
*FIG. 1*



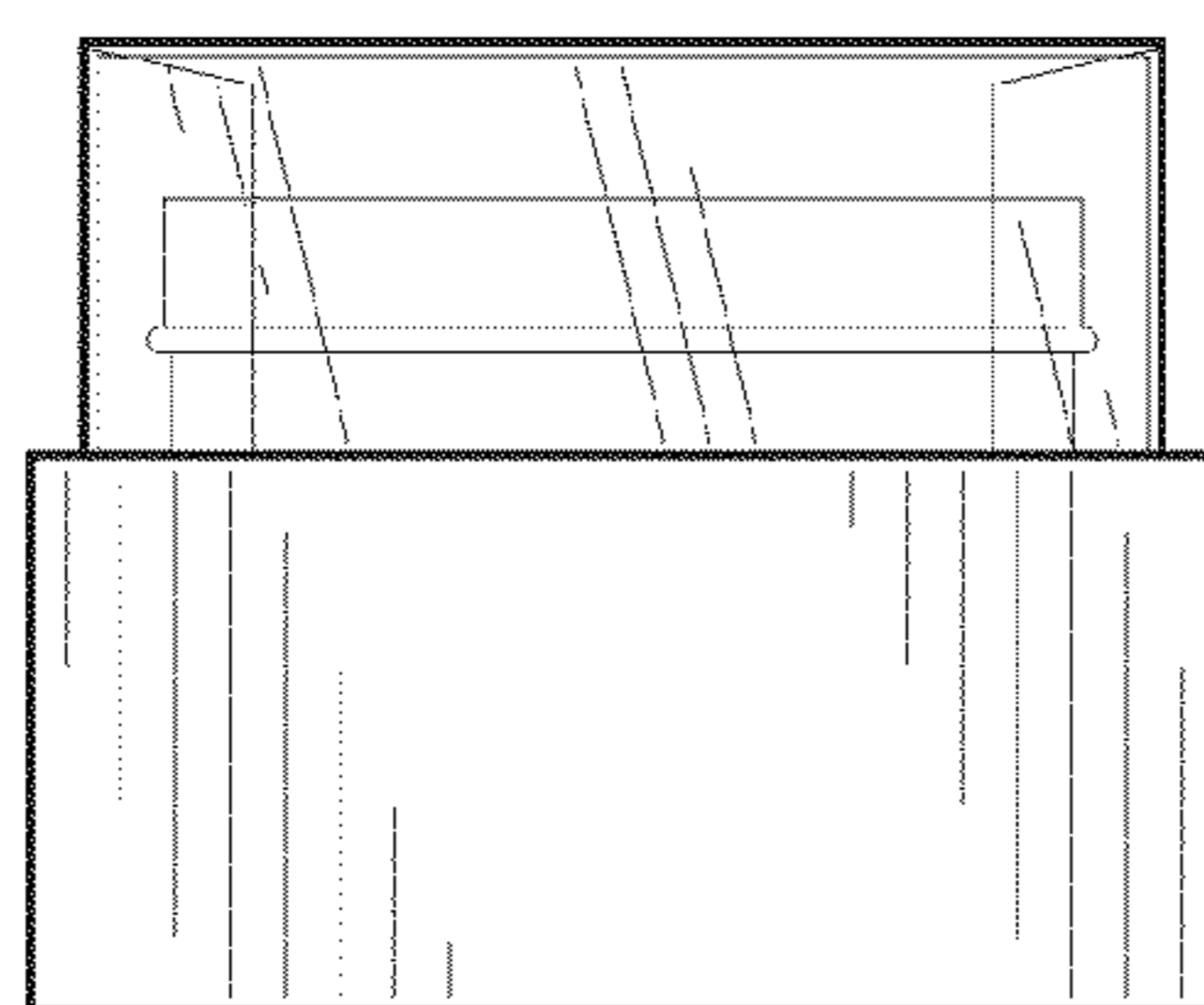
*FIG. 2*



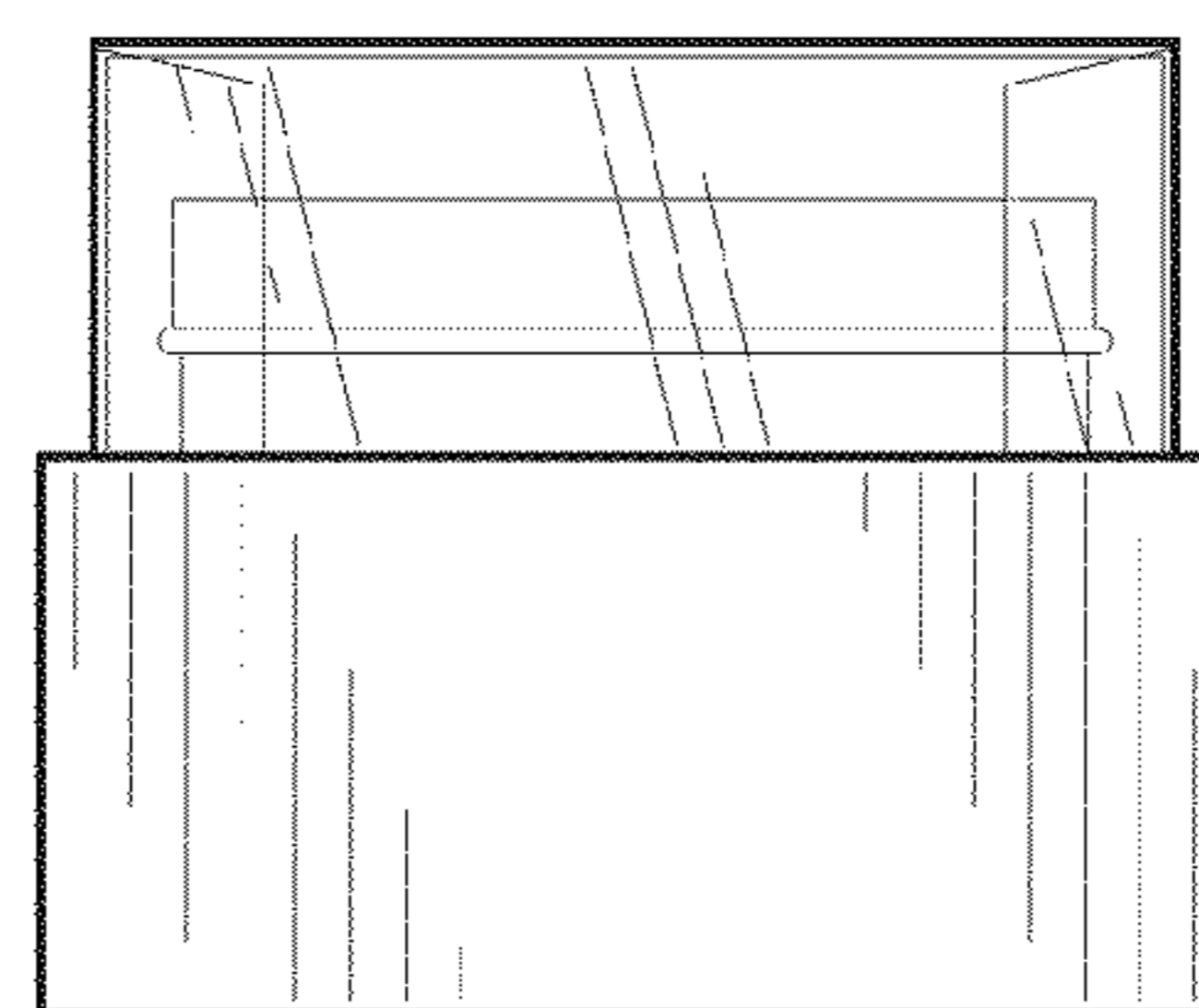
*FIG. 3*



*FIG. 4*



*FIG. 5*



*FIG. 6*

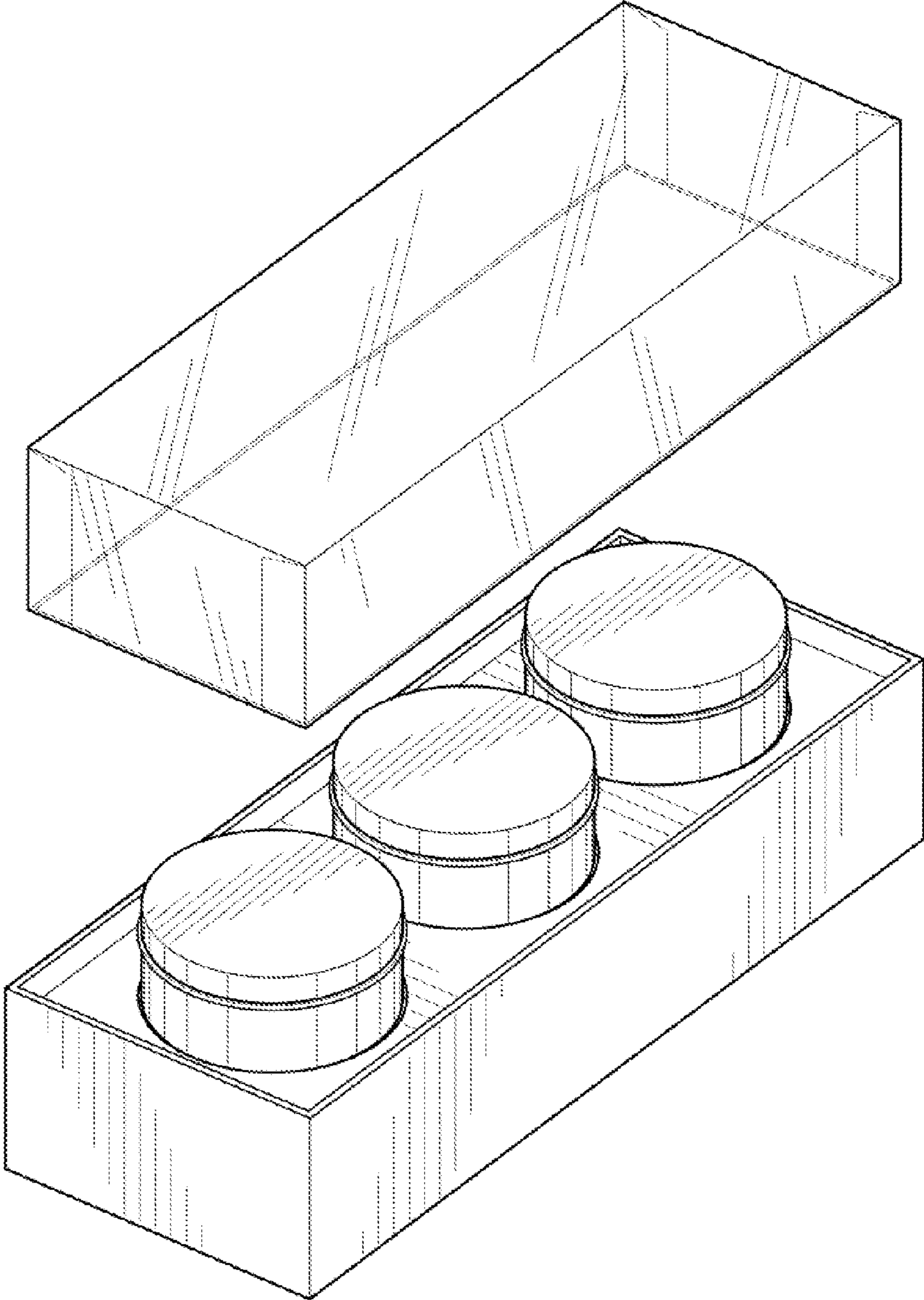


FIG. 7