



US00D675537S

(12) **United States Design Patent**
Nikolayev

(10) **Patent No.:** **US D675,537 S**

(45) **Date of Patent:** **** Feb. 5, 2013**

(54) **BOTTLE**

(76) **Inventor:** **Nikolay Nikolayev**, New York, NY (US)

(**) **Term:** **14 Years**

(21) **Appl. No.:** **29/395,332**

(22) **Filed:** **Dec. 31, 2011**

(51) **LOC (9) Cl.** **09-01**

(52) **U.S. Cl.** **D9/680**

(58) **Field of Classification Search** D3/211,
D3/270, 271.1; D9/600, 680, 428-429; D22/112;
206/3, 457-458; 220/890

See application file for complete search history.

(56) **References Cited**

U.S. PATENT DOCUMENTS

D2,347 S	7/1866	Forigera	
D47,640 S	7/1915	Carver	
4,328,755 A *	5/1982	Frost	102/486
D283,795 S	5/1986	Demourgues	
D335,628 S	5/1993	Tighe	
D358,332 S	5/1995	Schnider et al.	
D385,800 S	11/1997	Lusker	
D422,507 S	4/2000	Luzzi	
D422,509 S	4/2000	Luzzi	
D434,332 S *	11/2000	Sir	D9/680
D438,802 S	3/2001	Krunas	

D459,209 S	6/2002	Yamamoto	
D461,117 S *	8/2002	Cheng	D9/680
D471,086 S	3/2003	Helleu	
D472,800 S *	4/2003	Levanen et al.	D9/680
D473,467 S	4/2003	Lecoule	
D496,866 S	10/2004	Cornell	
D497,555 S	10/2004	Lecoule	
D499,028 S	11/2004	Fatillant-Dumas	
D508,407 S	8/2005	Busch et al.	
D551,560 S	9/2007	Baschmakoff	
D555,480 S	11/2007	Nicosia et al.	
D602,787 S	10/2009	Gaultier	
D616,718 S *	6/2010	van der Lande	D3/211

* cited by examiner

Primary Examiner — Sandra Morris

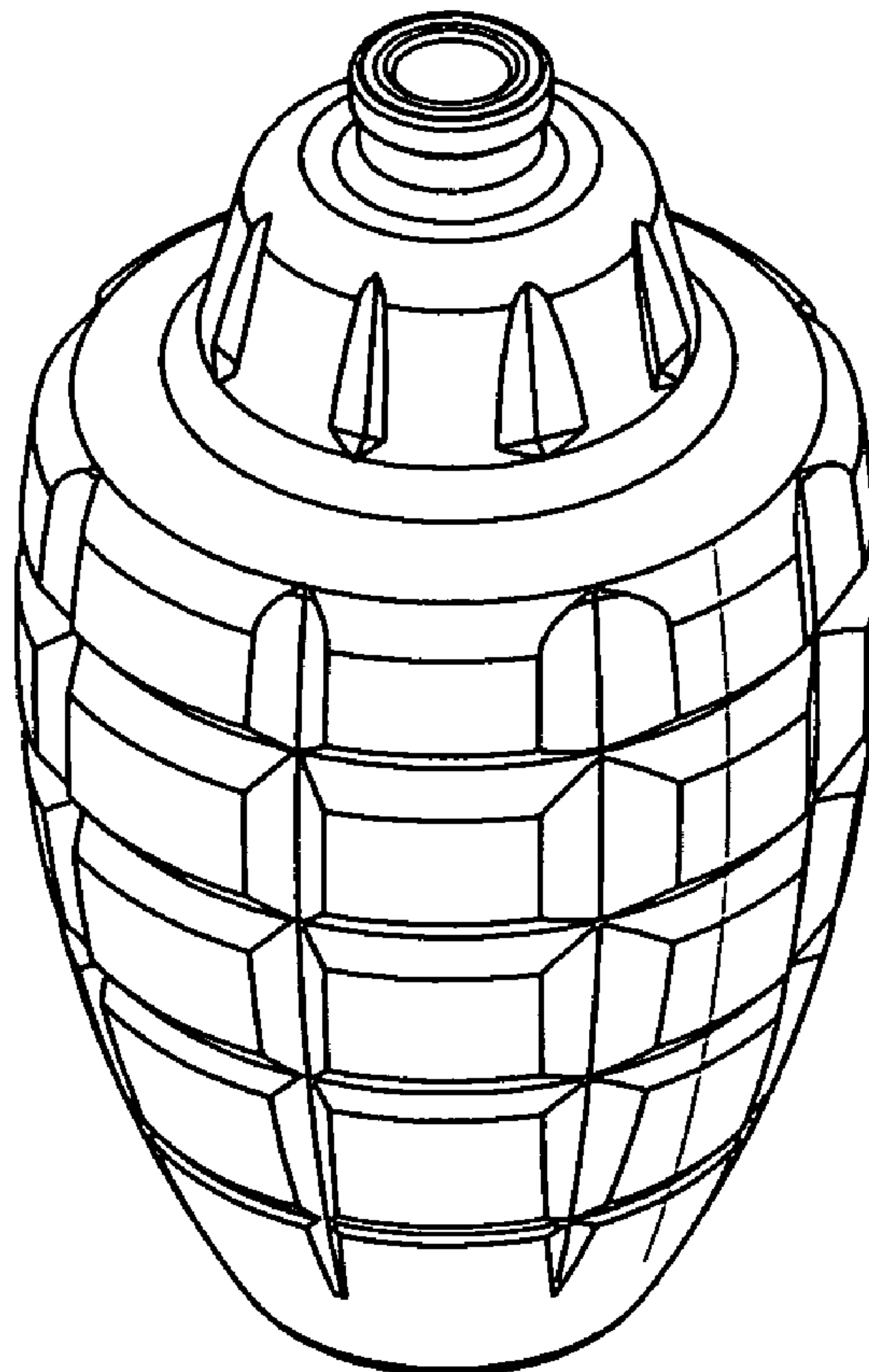
(57) **CLAIM**

The ornamental design for a bottle, as shown and described.

DESCRIPTION

FIG. 1 is a top, front and right perspective view of a bottle, embodying my new design;
FIG. 2 is a top, front and left perspective view thereof;
FIG. 3 is a front elevational view thereof;
FIG. 4 is a back elevational view thereof;
FIG. 5 is a top plan view thereof;
FIG. 6 is a bottom plan view thereof;
FIG. 7 is a right side elevational view thereof; and,
FIG. 8 is a left side elevational view thereof.

1 Claim, 7 Drawing Sheets



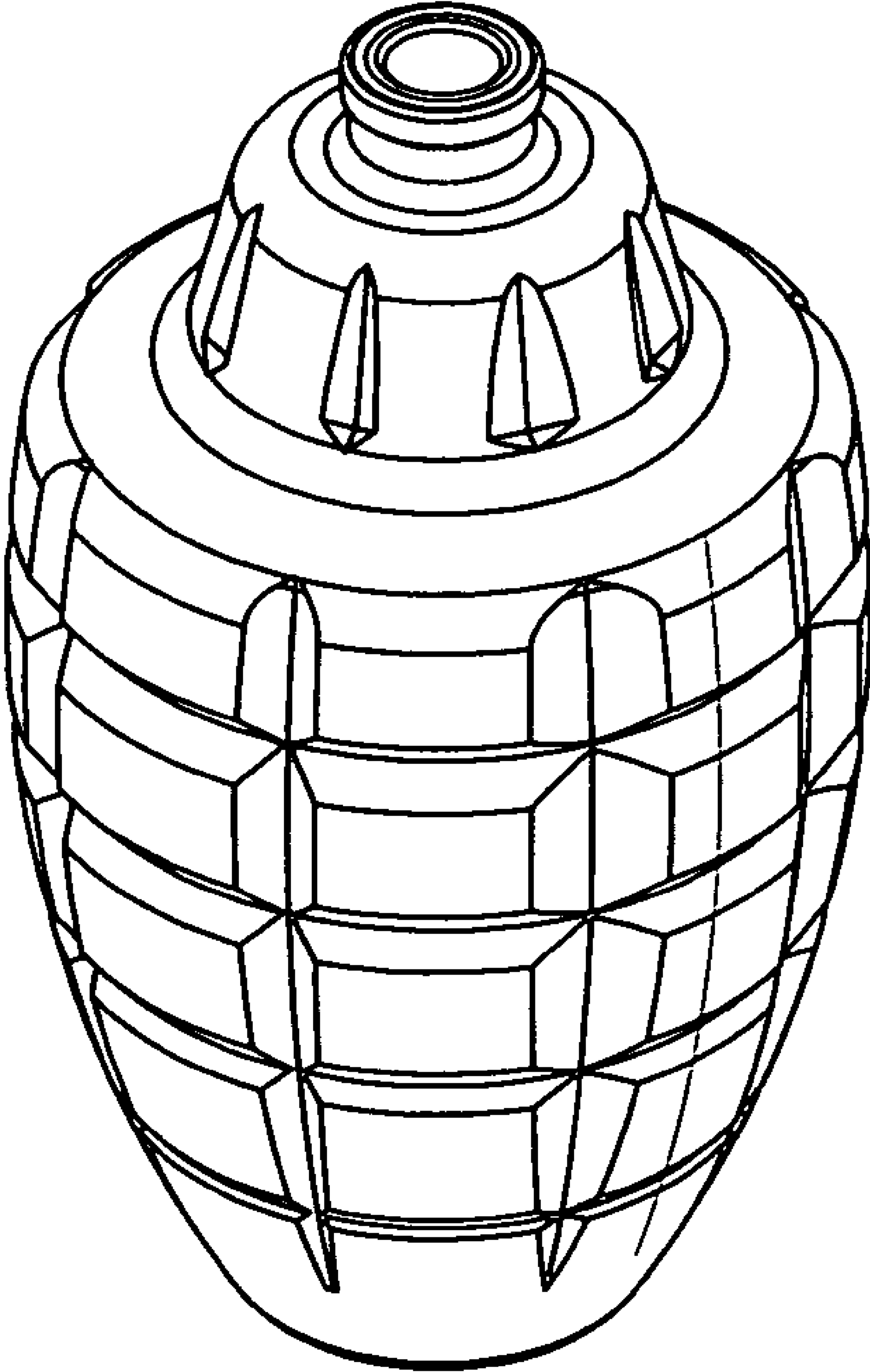


Fig. 1

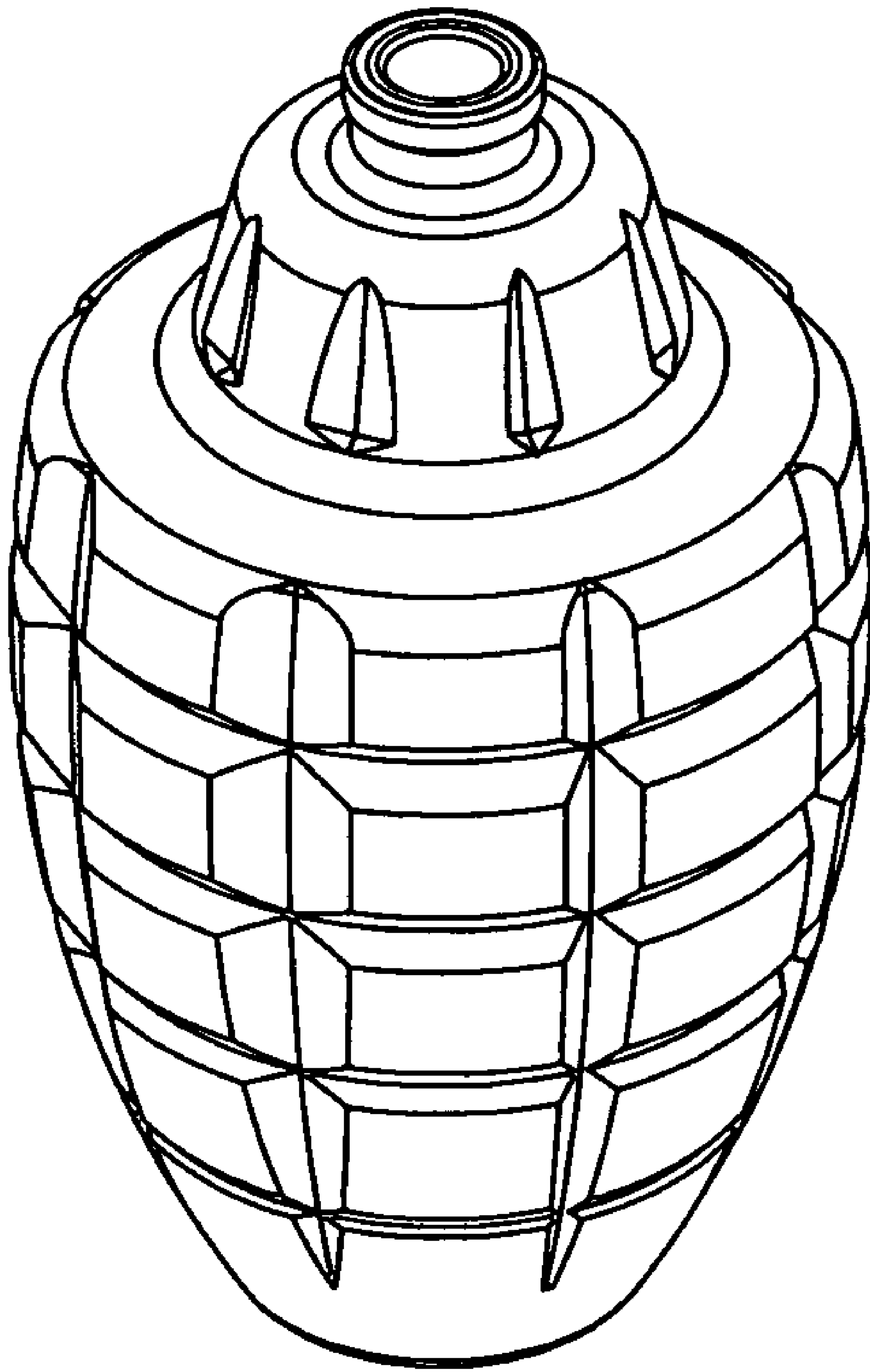


Fig. 2

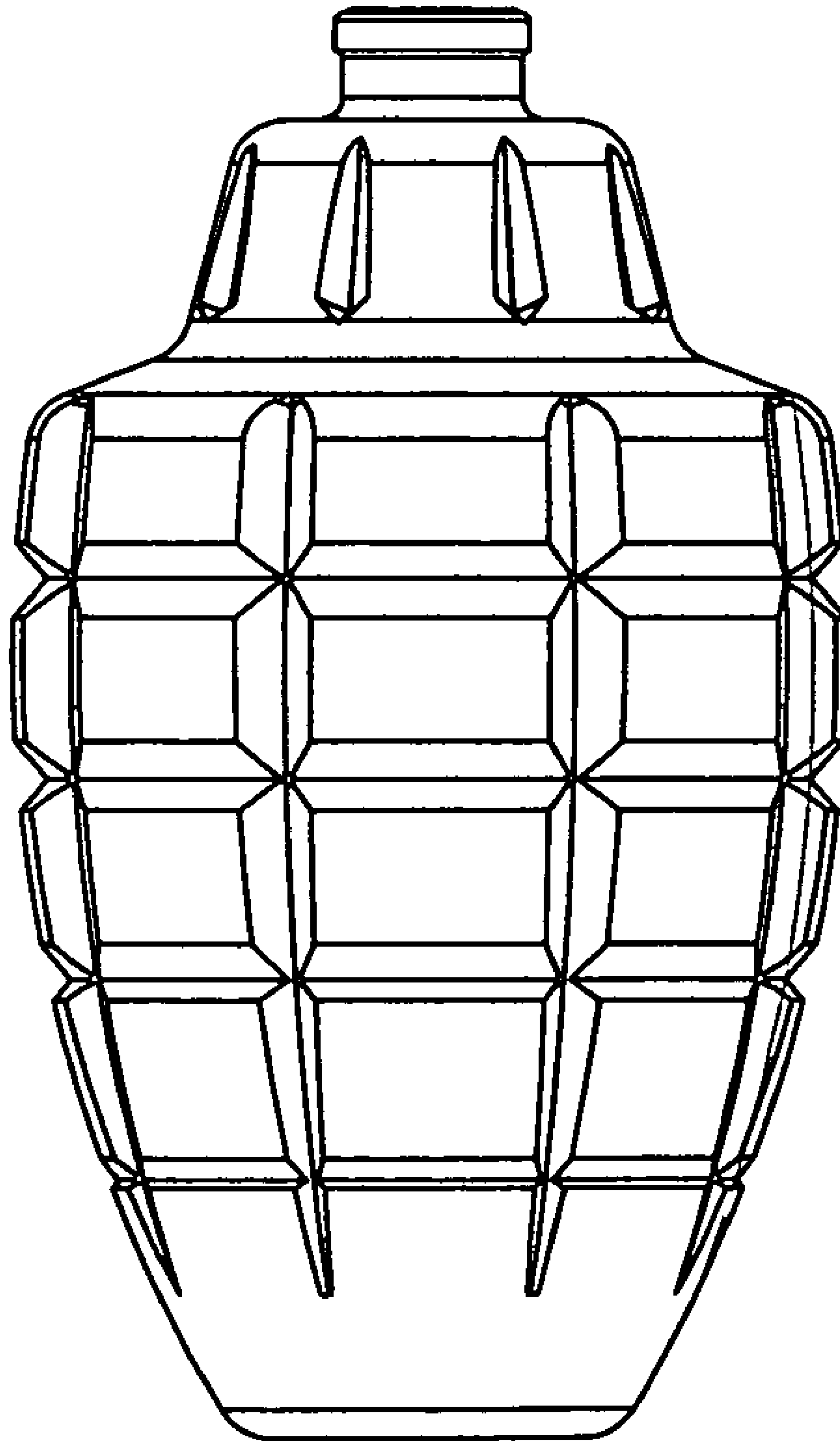


Fig. 3

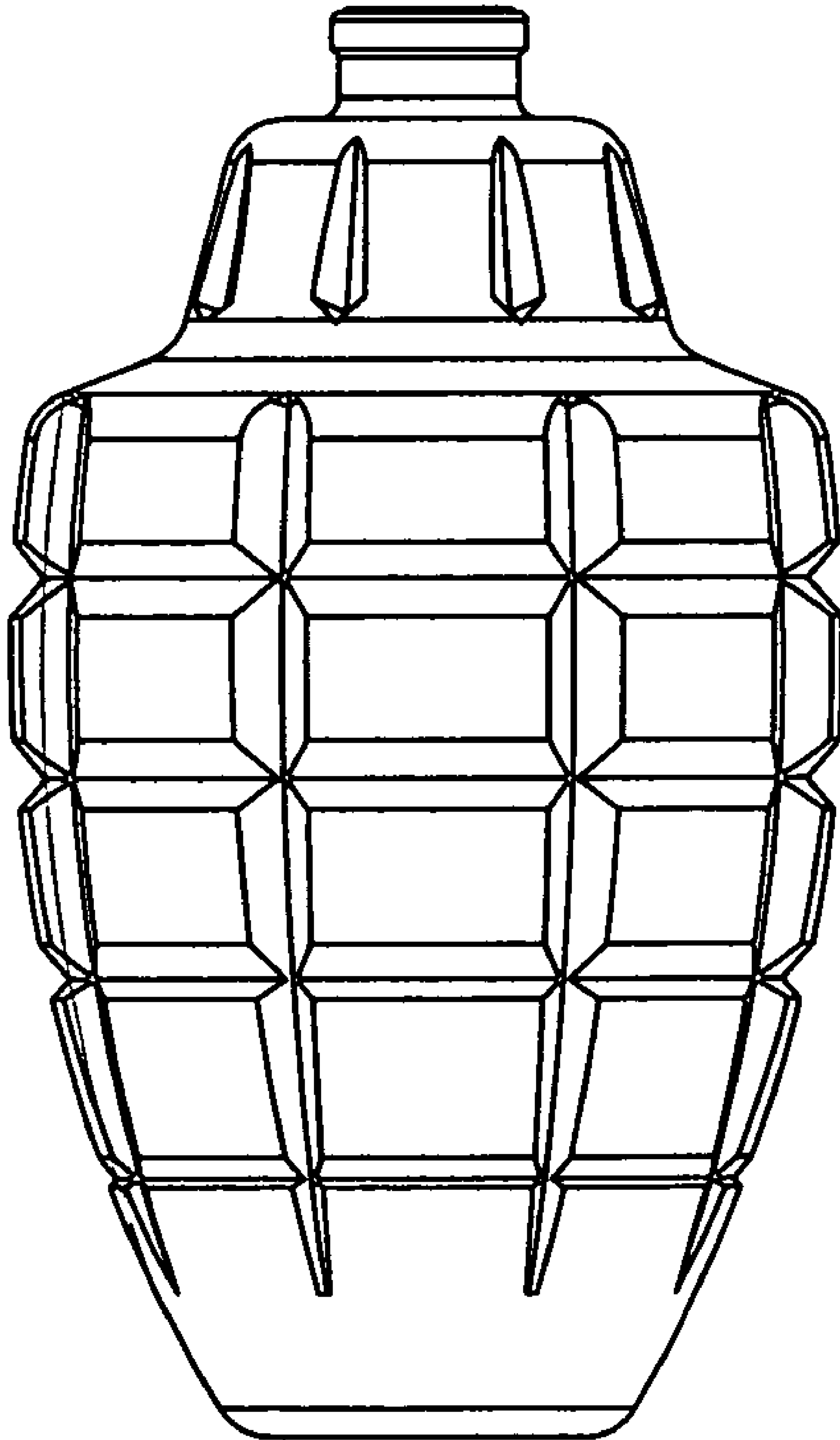


Fig. 4

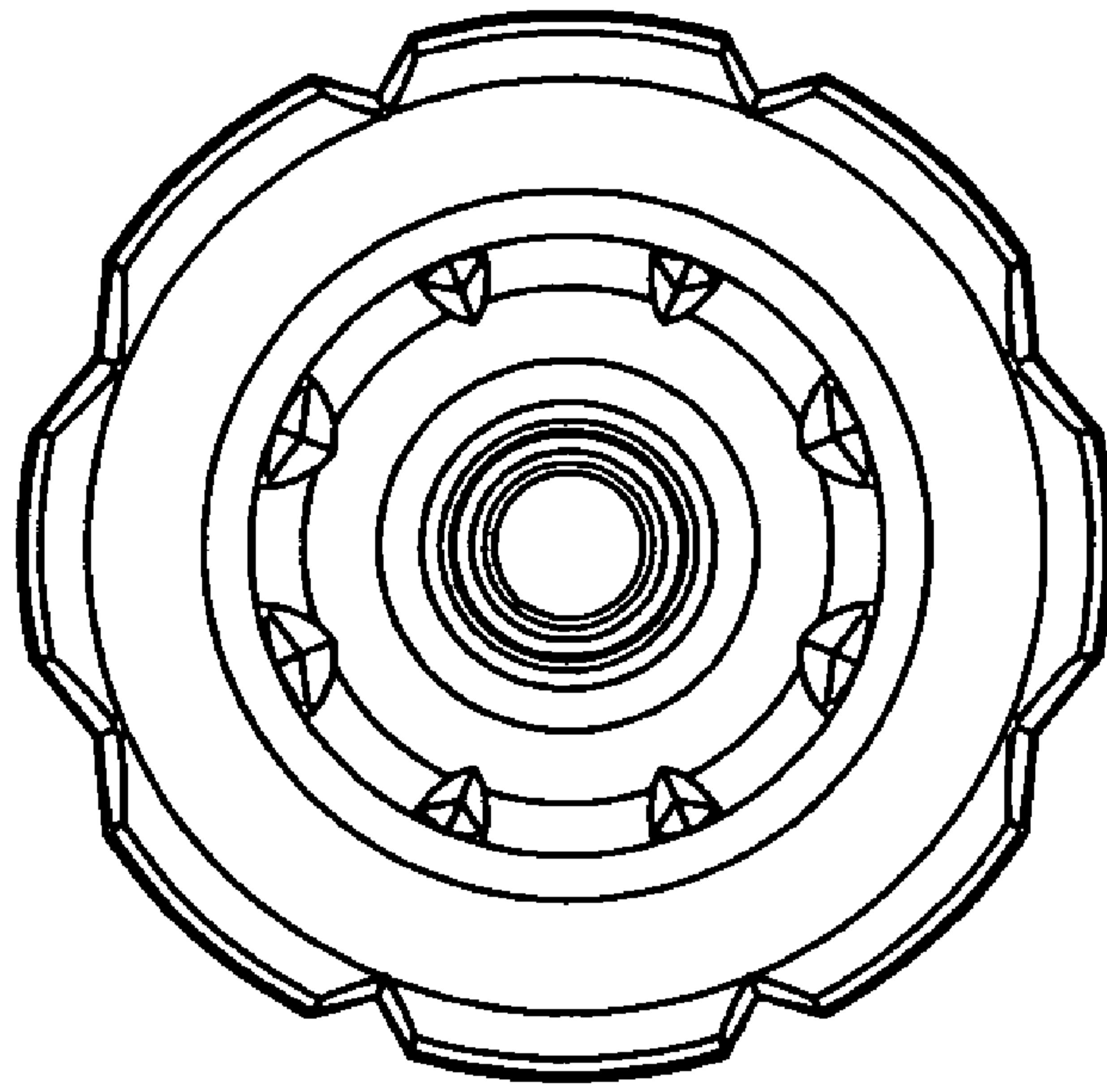


Fig. 5

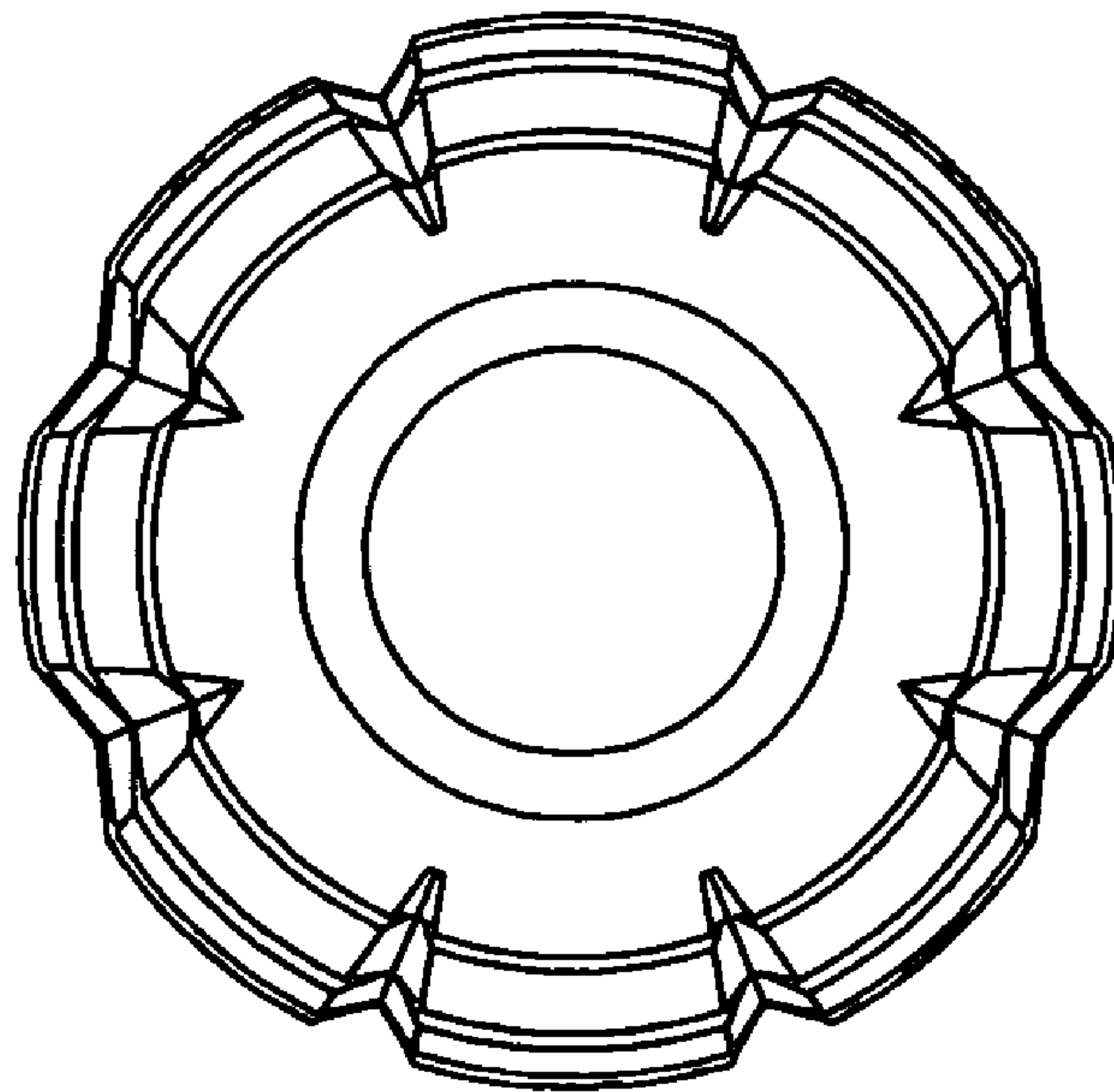


Fig. 6

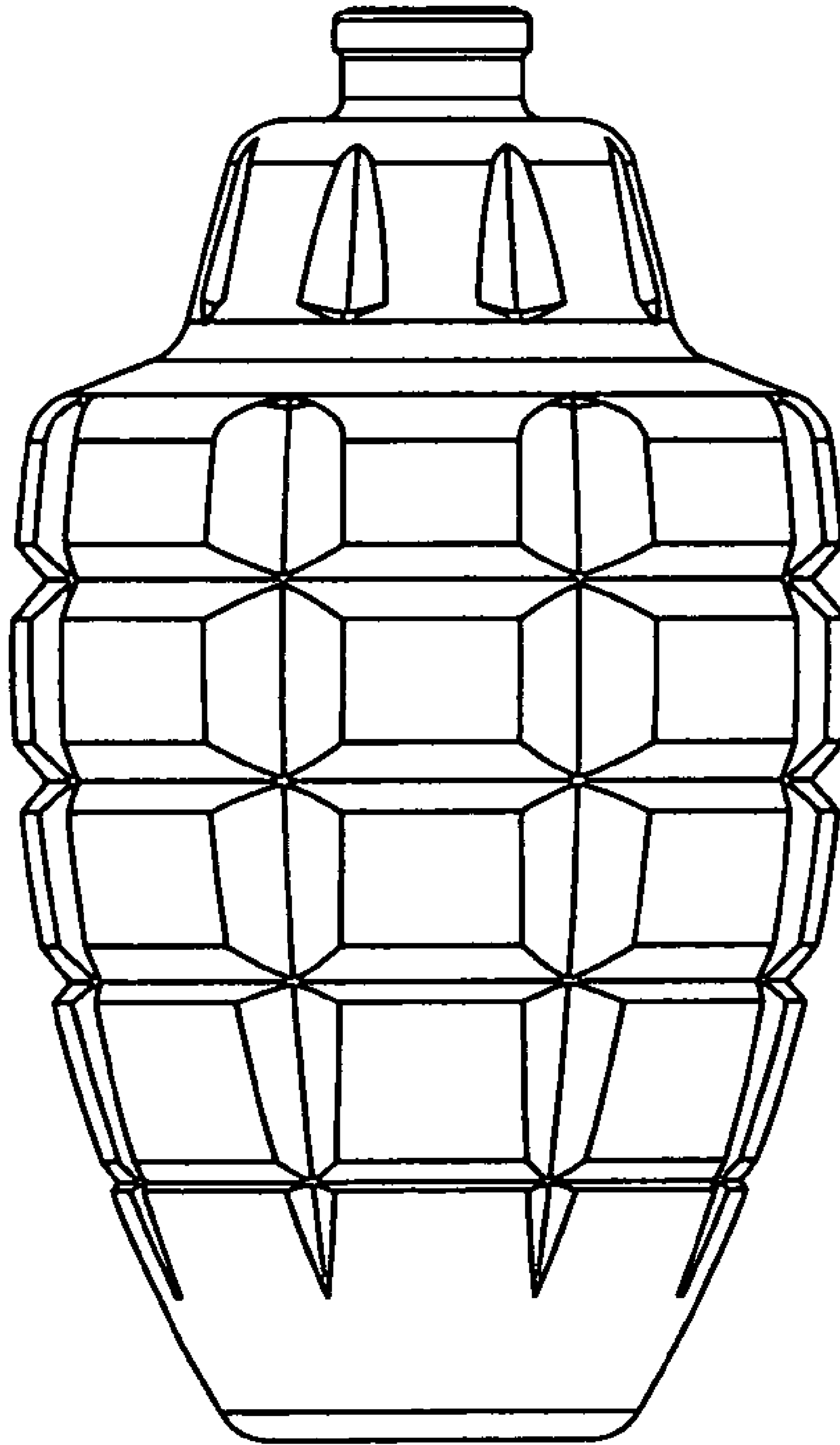


Fig. 7

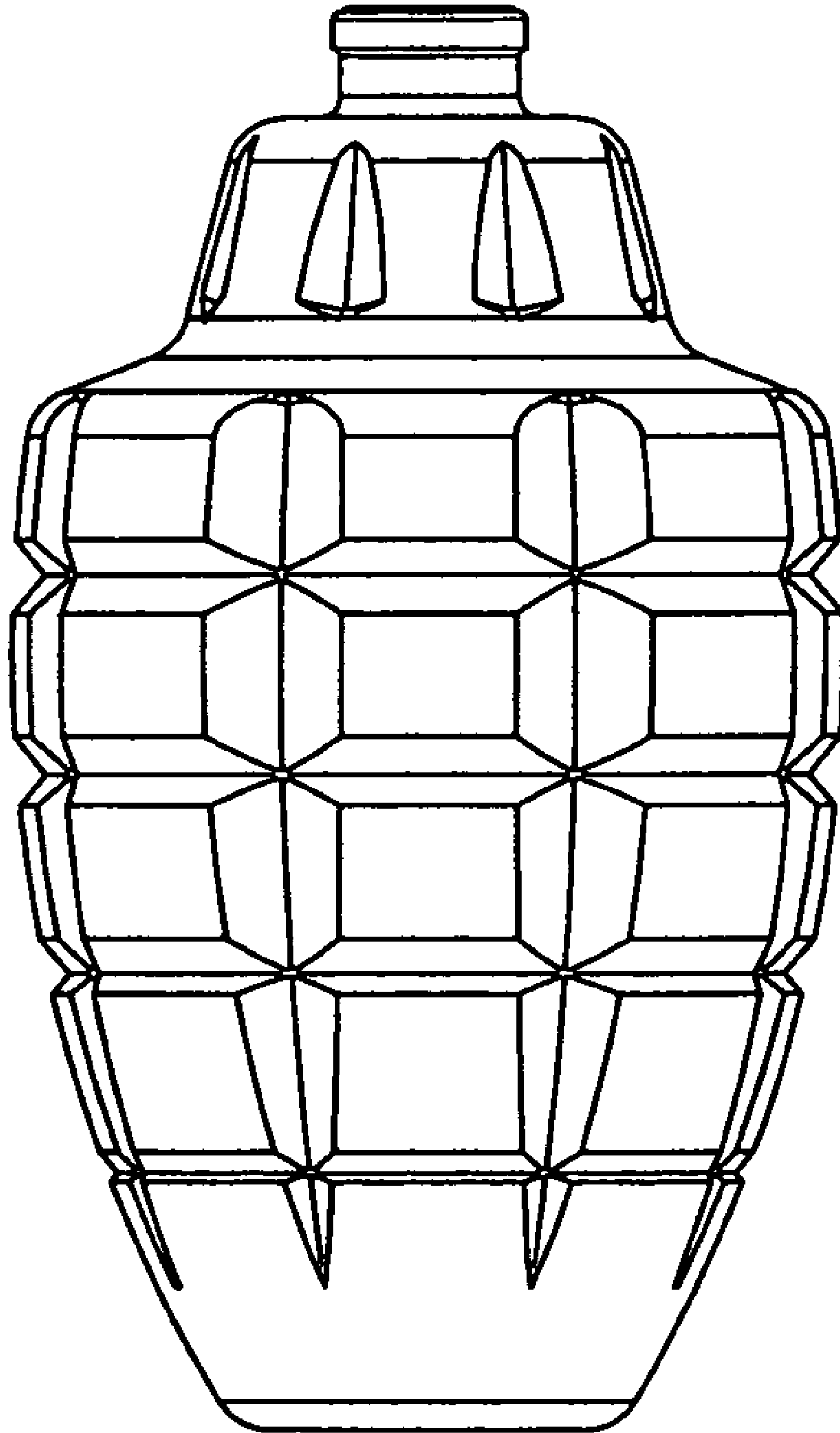


Fig. 8