



US00D675534S

(12) **United States Design Patent**
Weiler et al.

(10) **Patent No.:** **US D675,534 S**
(45) **Date of Patent:** **** Feb. 5, 2013**

(54) **SEALED VIAL**

(75) Inventors: **Gerhard H. Weiler**, Woodstock, IL
(US); **Kathleen E. Kurek**, Des Plaines,
IL (US)

(73) Assignee: **Weiler Engineering, Inc.**, Elgin, IL
(US)

(**) Term: **14 Years**

(21) Appl. No.: **29/373,675**

(22) Filed: **May 9, 2011**

(51) **LOC (9) Cl.** **09-01**

(52) **U.S. Cl.** **D9/549**; D9/696; D9/553; D9/558;
D9/435; D9/443

(58) **Field of Classification Search** D9/667,
D9/696, 516, 523, 529, 537-541, 549-551,
D9/553, 558, 564, 574-575, 435, 443; 215/381-385;
D24/115, 117

See application file for complete search history.

(56) **References Cited**

U.S. PATENT DOCUMENTS

D199,153	S	*	9/1964	Hannon	D9/503
3,745,150	A	*	7/1973	Corsover	215/379
D237,587	S	*	11/1975	Yukimitsu	D9/572
D238,331	S	*	1/1976	Meierhoefer	D24/117 X
D246,574	S	*	12/1977	Meierhoefer	D24/117 X
D249,958	S	*	10/1978	Meierhoefer	D24/117
D258,534	S	*	3/1981	Nagel	D24/224
D273,767	S	*	5/1984	Weiler	D9/558 X
D299,954	S	*	2/1989	Baxter	D24/224
D332,280	S	*	1/1993	Yoshida et al.	D18/43
D362,390	S	*	9/1995	Weiler	D9/696
D380,387	S	*	7/1997	Weiler	D9/520
D417,848	S	*	12/1999	Marshall	D9/443 X

D436,526	S	*	1/2001	Ko	D9/696
6,889,519	B2	*	5/2005	Knowles	62/292
D513,385	S	*	1/2006	Garcia et al.	D9/504
D515,936	S	*	2/2006	Ko	D9/696
D523,324	S	*	6/2006	Miller et al.	D8/330
D574,711	S	*	8/2008	Lederman et al.	D9/521
D592,065	S	*	5/2009	England	D9/435 X
D615,406	S	*	5/2010	Leventhal et al.	D9/443 X
D629,695	S	*	12/2010	Zaniewski et al.	D9/529
D649,461	S	*	11/2011	Harrison et al.	D9/500
D658,996	S	*	5/2012	Potts	D9/500
2003/0006209	A1	*	1/2003	Stefen et al.	215/386

* cited by examiner

Primary Examiner — Carol P Rademaker

(74) *Attorney, Agent, or Firm* — Olson & Cepuritis, Ltd.

(57) **CLAIM**

The ornamental design for a sealed vial, as shown and described.

DESCRIPTION

FIG. 1 is a top, front, right side perspective view of a first embodiment of a sealed vial showing our new design; FIG. 2 is a right side front elevational view thereof; FIG. 3 is a left side elevational view thereof; FIG. 4 is a front elevational view thereof; FIG. 5 is a rear elevational view thereof; and FIG. 6 is a top plan view thereof.

FIG. 7 is a top, front, right side perspective view of a second embodiment of the sealed vial showing our new design; FIG. 8 is a right side front elevational view thereof; FIG. 9 is a left side elevational view thereof; FIG. 10 is a front elevational view thereof; FIG. 11 is a rear elevational view thereof; and, FIG. 12 is a top plan view thereof.

1 Claim, 8 Drawing Sheets

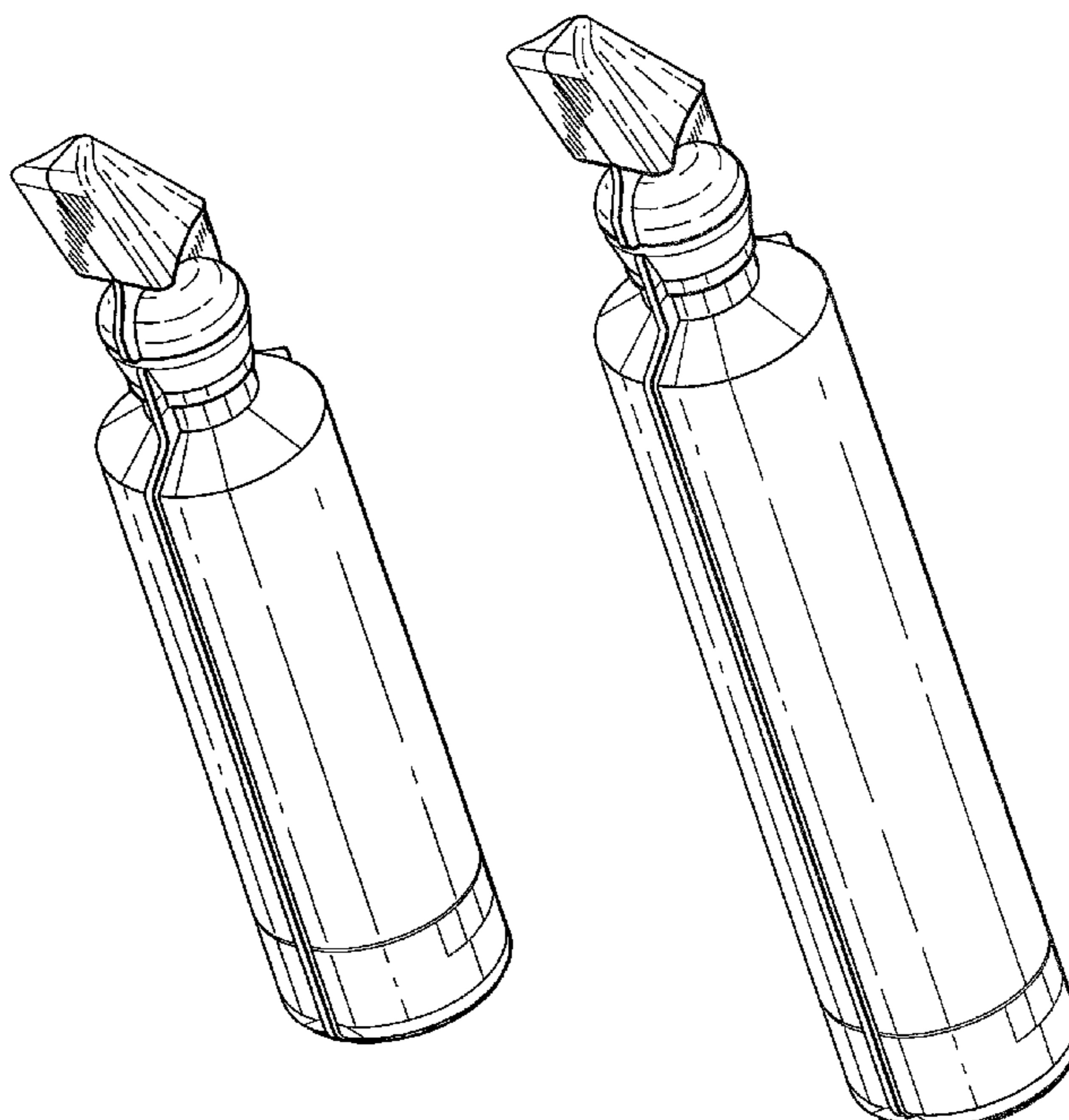


Fig. 1

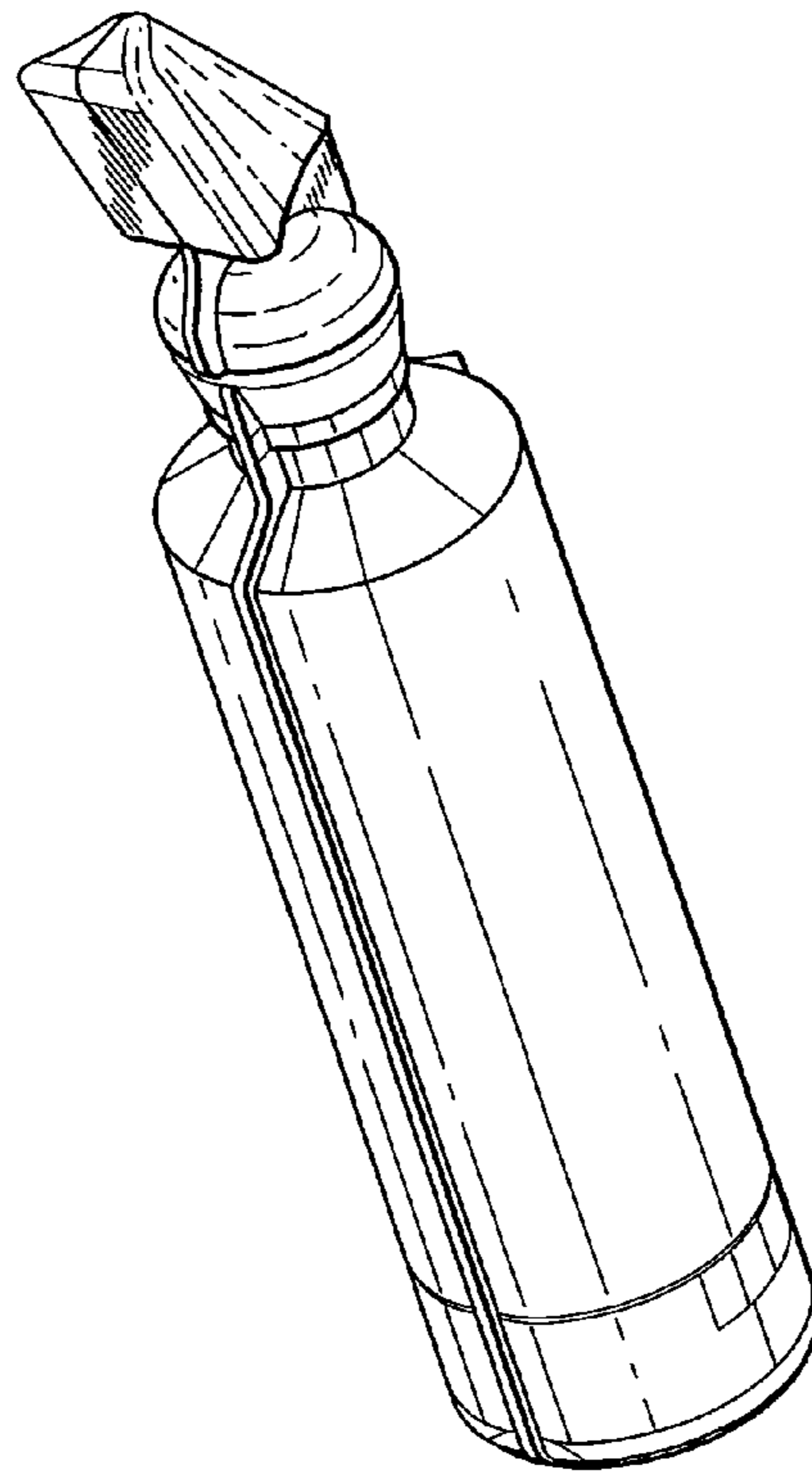


Fig. 2

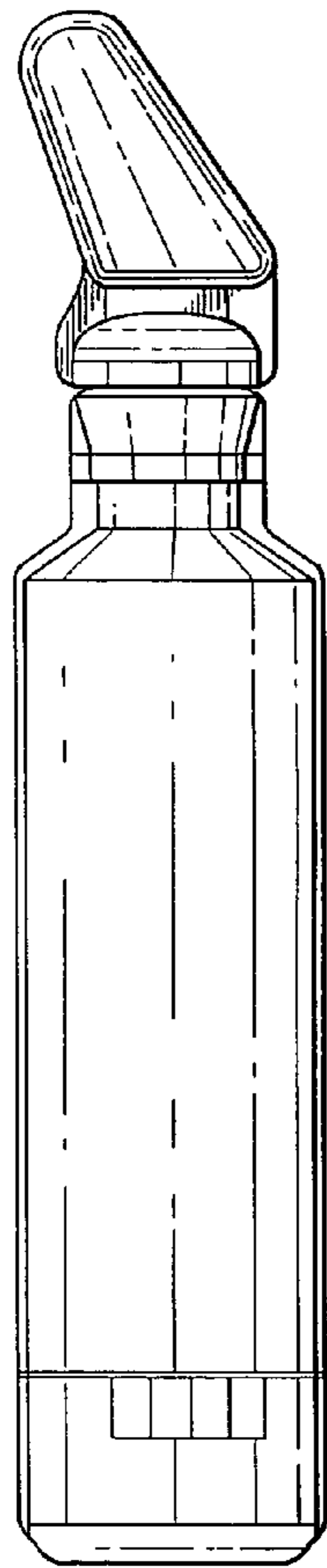


Fig. 3

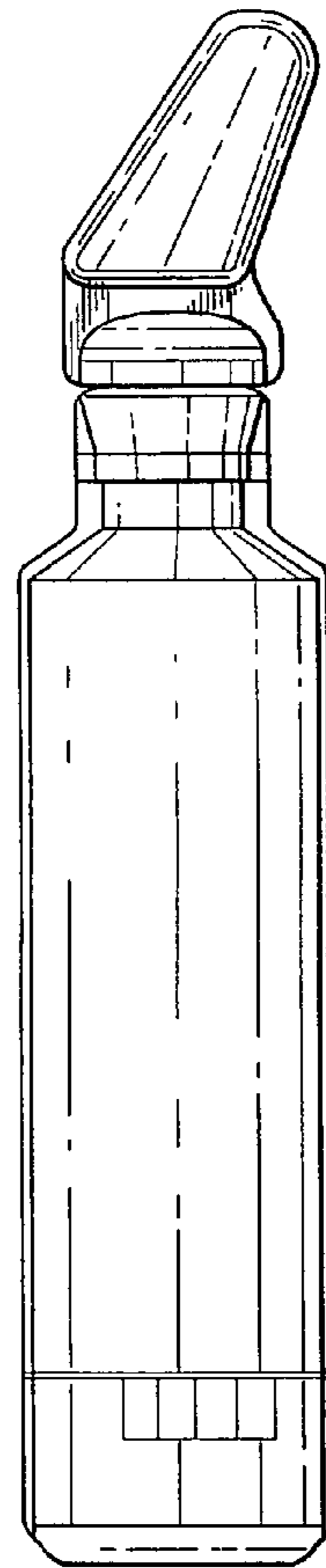


Fig. 4

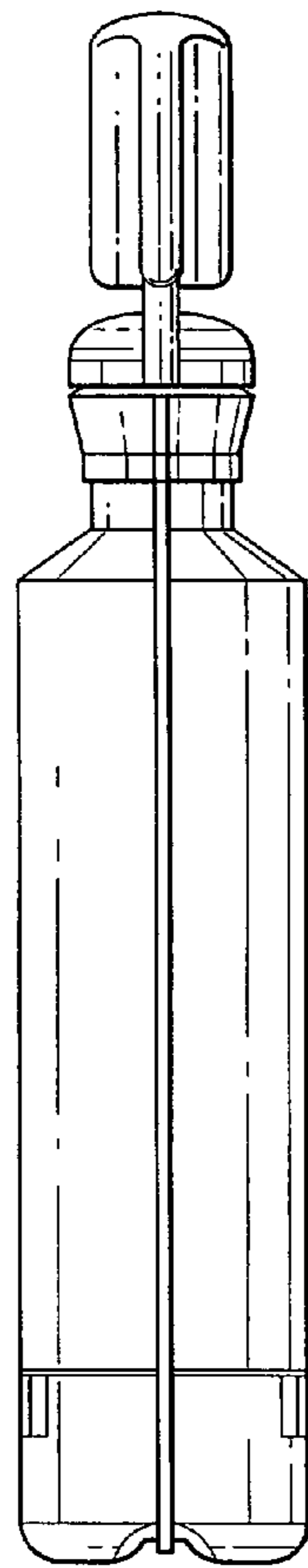


Fig. 5

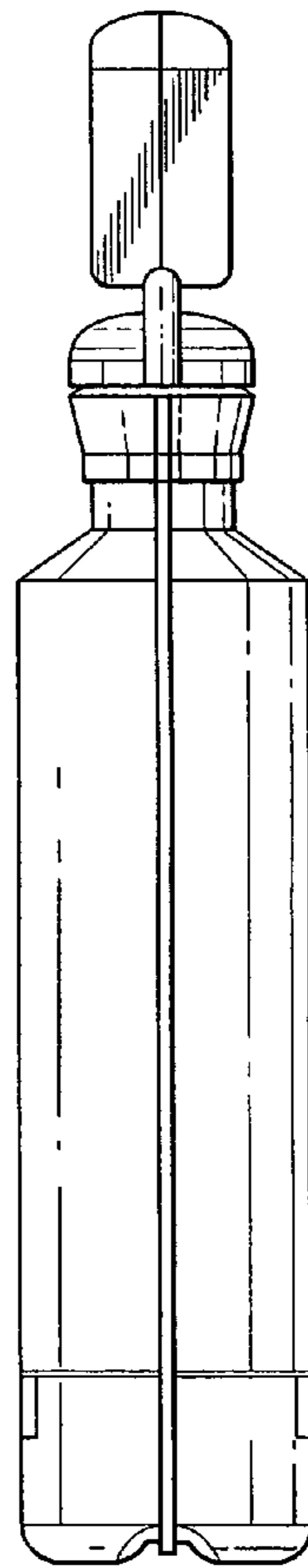


Fig. 6

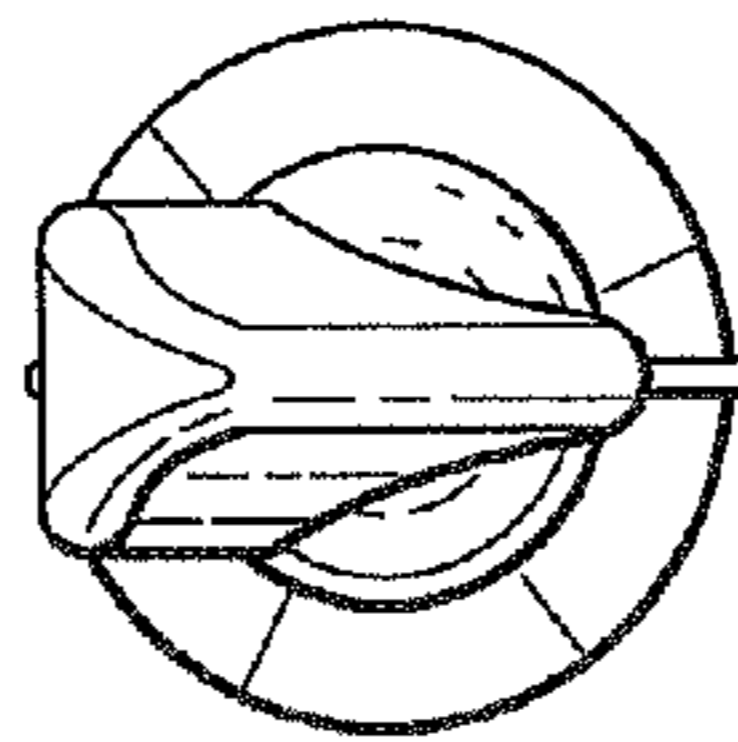


Fig. 7

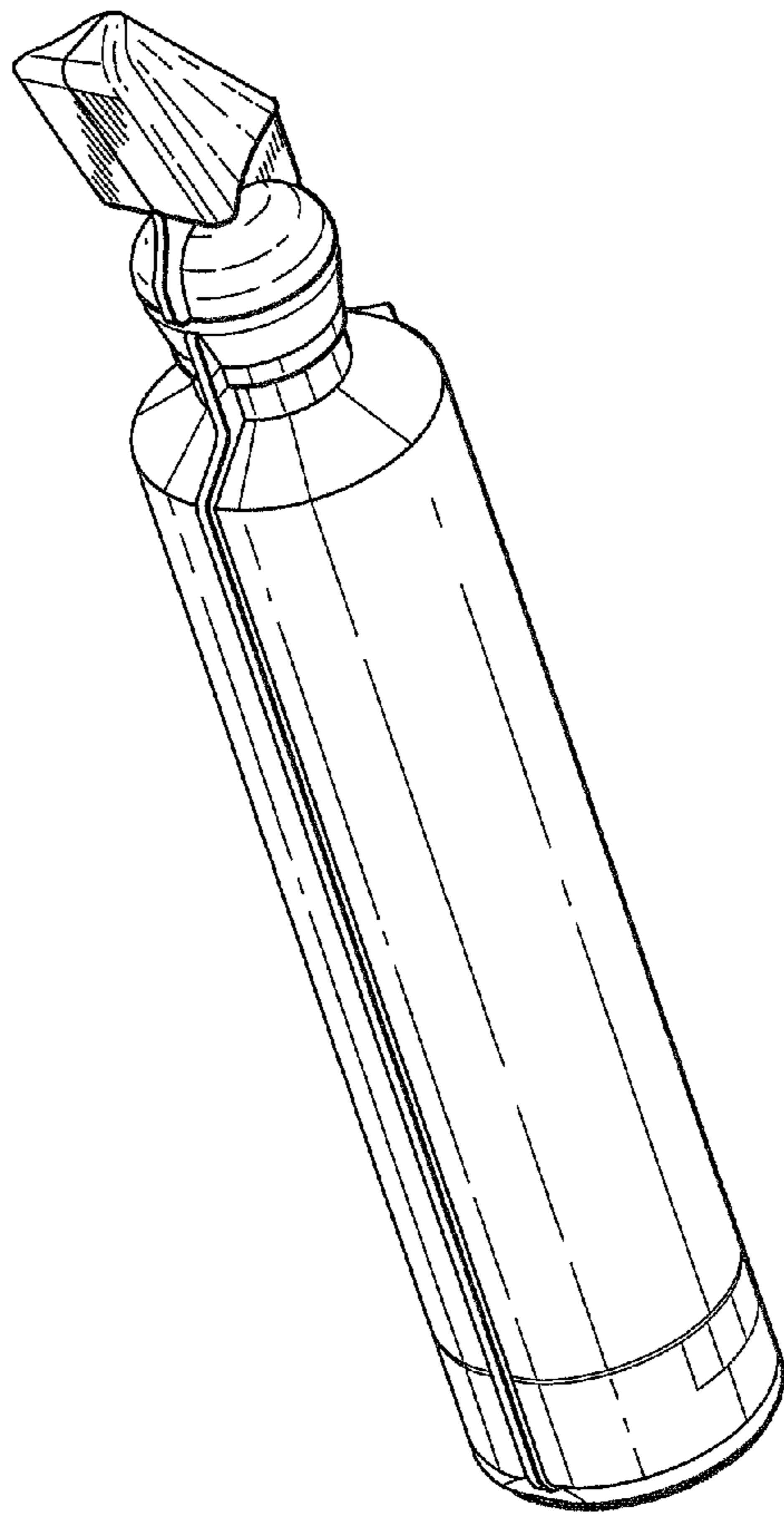


Fig. 8

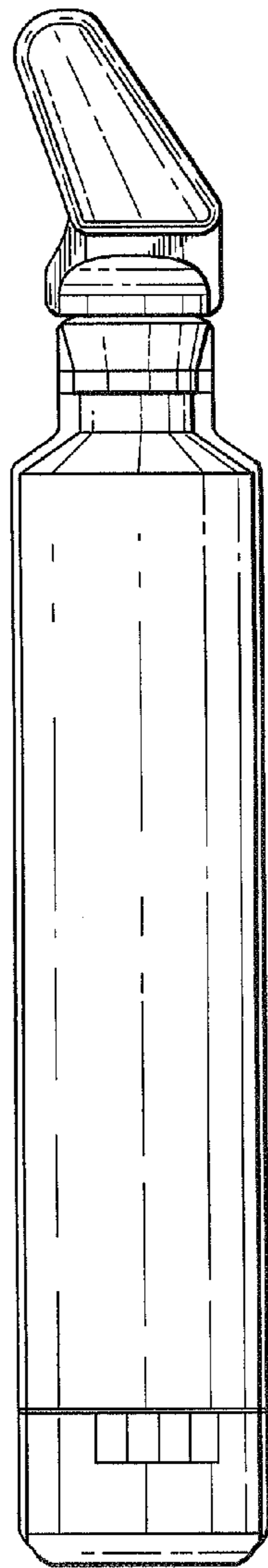


Fig. 9

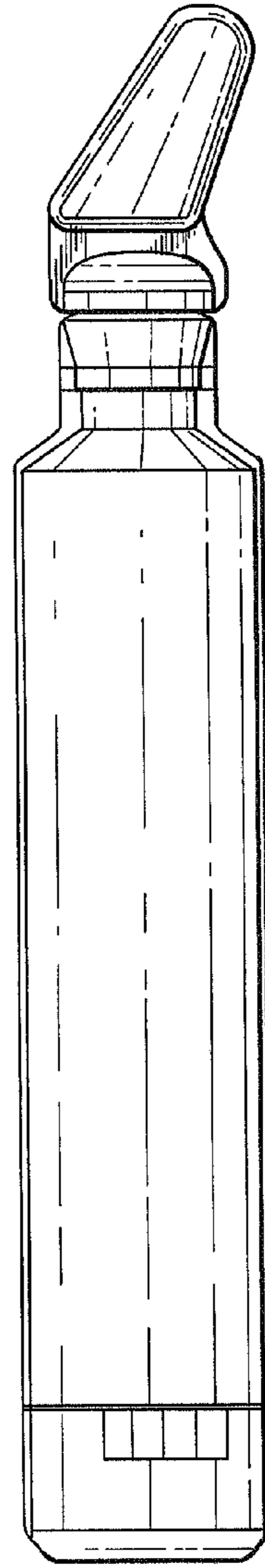


Fig. 10

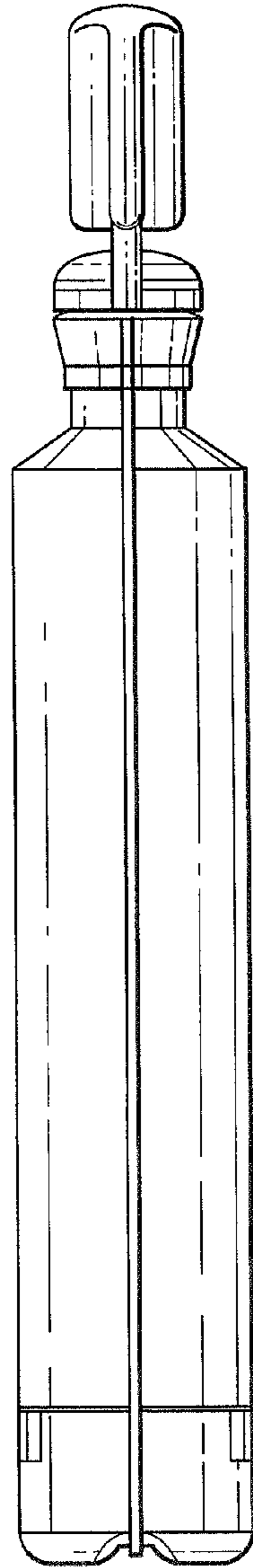


Fig. 11

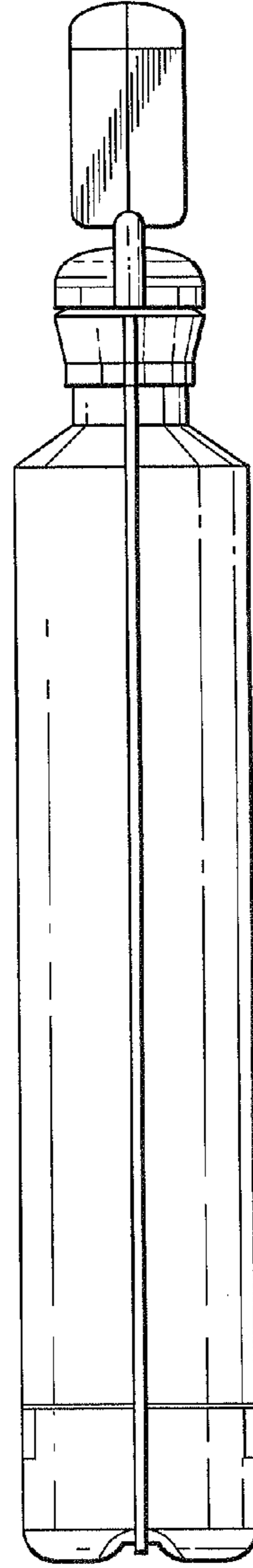


Fig. 12

