

US00D675530S

(12) **United States Design Patent**
Meisenheimer et al.

(10) **Patent No.:** **US D675,530 S**

(45) **Date of Patent:** **** Feb. 5, 2013**

(54) **BOTTLE**

(75) Inventors: **Mark Meisenheimer**, Newport Beach, CA (US); **Juan Manuel Sandoval Hernández**, Delegación Iztacalco (MX); **Alfredo Méndez Ramos**, Delegación Venustiano Carranza (MX); **Alejandra Camacho**, Atizapán de Zaragoza (MX); **Mario Soto Osorio**, Tultitlan (MX); **Michael Kramer**, Miguel Hidalgo (MX)

(73) Assignee: **Mark Meisenheimer**, Newport Beach, CA (US)

(**) Term: **14 Years**

(21) Appl. No.: **29/414,969**

(22) Filed: **Mar. 6, 2012**

(51) **LOC (9) Cl.** **09-01**

(52) **U.S. Cl.** **D9/522; D9/519; D9/520; D9/523; D9/543; D9/575**

(58) **Field of Classification Search** D9/682, D9/686-694, 516, 519, 522-523, 530, 537-546, D9/549, 552, 565, 571, 574-575; 215/381-385
See application file for complete search history.

(56) **References Cited**

U.S. PATENT DOCUMENTS

D19,892 S *	6/1890	Backus	D9/546
D33,631 S *	12/1900	Klump et al.	D9/541 X
D48,160 S *	11/1915	Samuelson	D9/538
D49,924 S *	11/1916	Graham	D9/541
D61,409 S *	8/1922	Eyben	D9/545 X
D81,169 S *	5/1930	Walker	D9/544
D86,979 S *	5/1932	Reilly	D9/522
D87,655 S *	8/1932	Wolcott	D9/545 X
D91,870 S *	4/1934	Ganz	D9/546
D124,639 S *	1/1941	Levy	D9/545

D187,244 S *	2/1960	Morris	D9/556
D187,960 S *	5/1960	Marina	D9/546
D201,470 S *	6/1965	Plattner	D9/543
D319,184 S *	8/1991	Monod	D9/523
D420,595 S *	2/2000	Herrmann	D9/549 X
6,491,187 B2 *	12/2002	Walters	222/185.1
D469,017 S *	1/2003	Mauro	D9/522
D543,121 S *	5/2007	Grant	D9/538 X
D545,200 S *	6/2007	Dosa	D9/519
D584,948 S *	1/2009	Bourne	D9/543 X
D609,104 S *	2/2010	Ablo	D9/571 X
D619,006 S *	7/2010	Veyssiere	D9/519
D619,464 S *	7/2010	Langley et al.	D9/575 X
D633,804 S *	3/2011	Podewski	D9/522
D639,169 S *	6/2011	Seys	D9/575 X
D642,923 S *	8/2011	Newton	D9/522

* cited by examiner

Primary Examiner — Carol P Rademaker

(74) *Attorney, Agent, or Firm* — Seyfarth Shaw LLP; Brian Michaelis

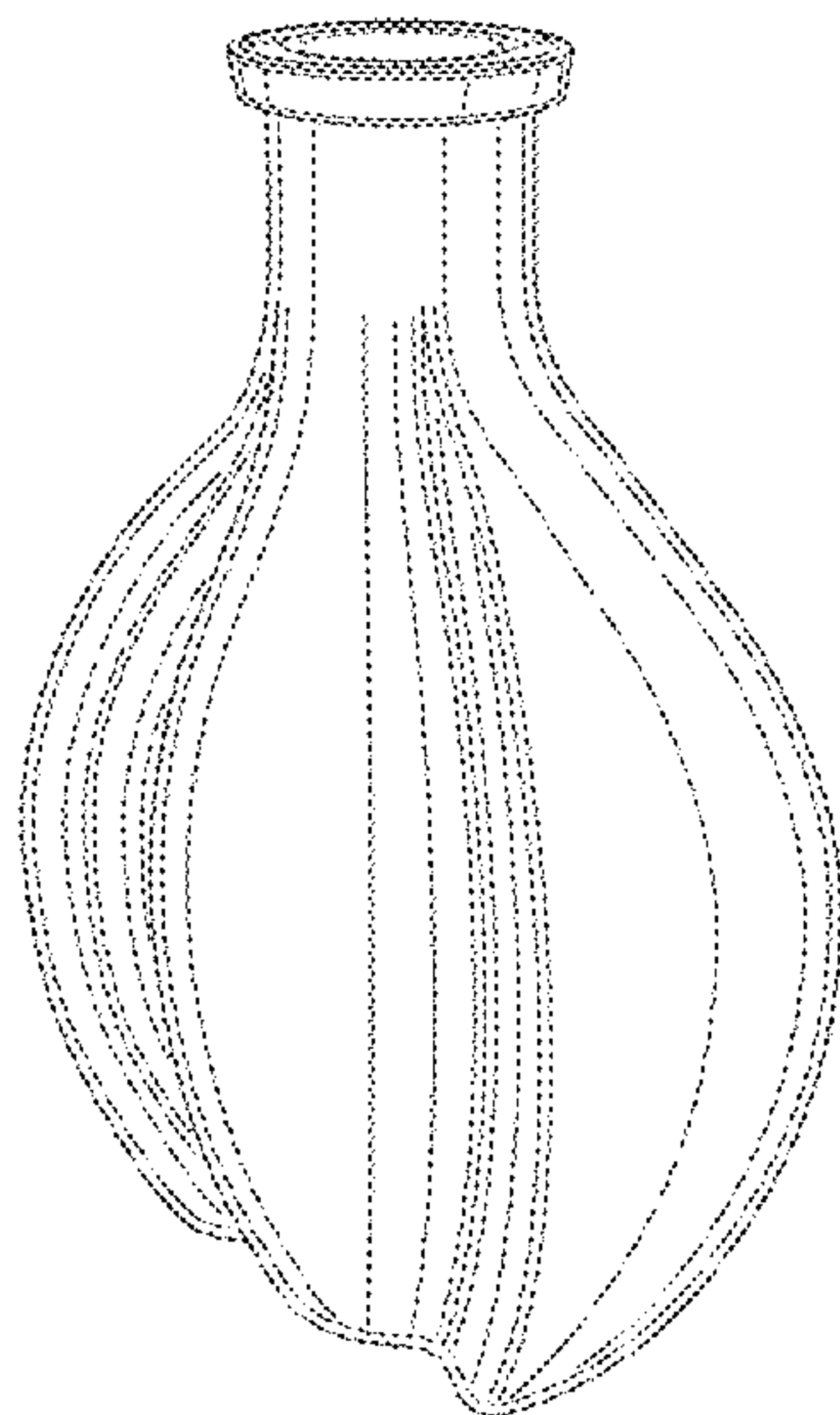
(57) **CLAIM**

The ornamental design for a bottle, as shown and described.

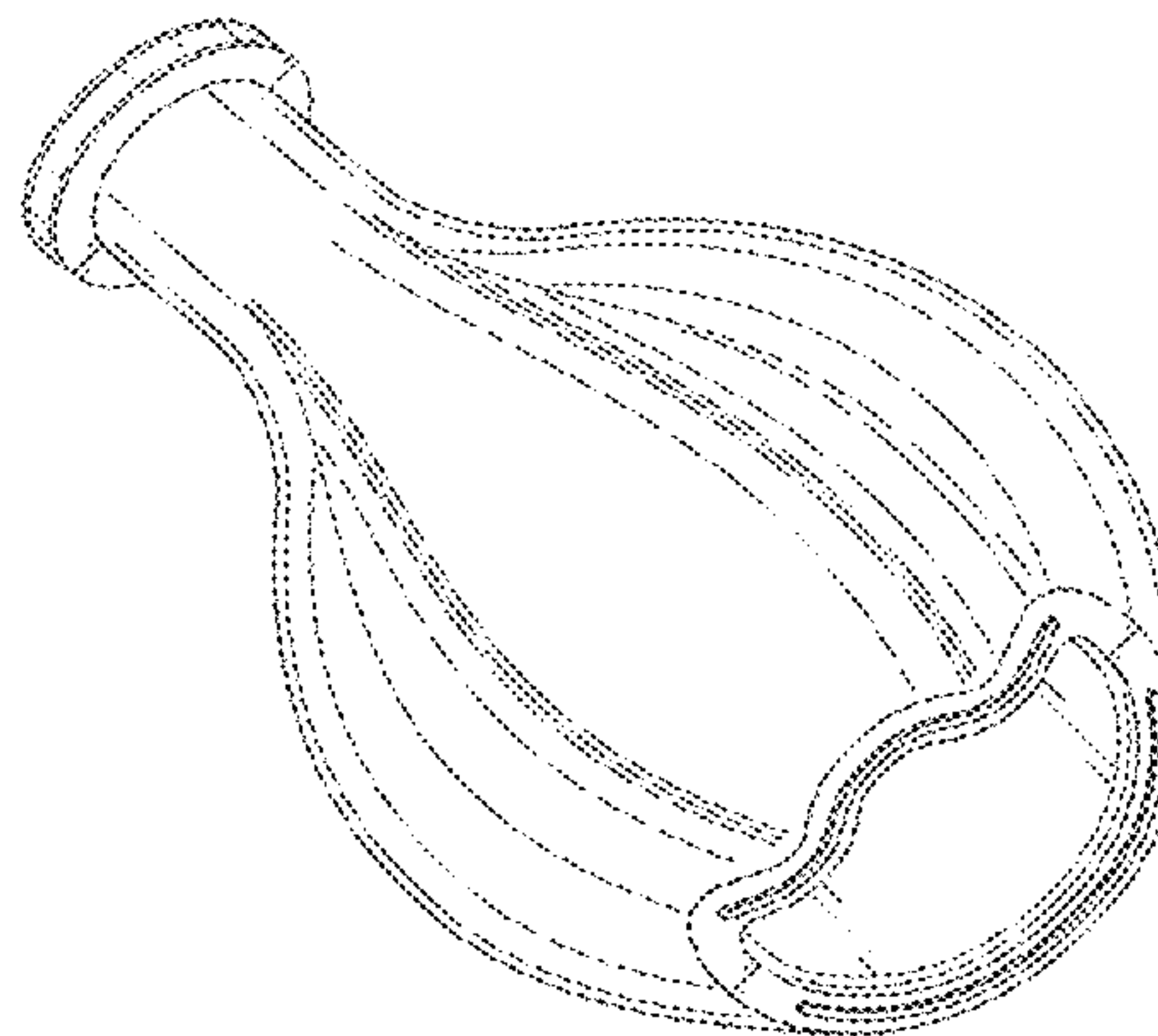
DESCRIPTION

FIG. 1 is a top, front, and right side perspective view of a bottle showing the new design;
FIG. 2 is a front elevational view thereof;
FIG. 3 is a back elevational view thereof;
FIG. 4 is a left side elevational view thereof;
FIG. 5 is a right side elevational view thereof;
FIG. 6 is a top plan view thereof;
FIG. 7 is a bottom plan view thereof; and,
FIG. 8 is a bottom, front perspective view thereof.
The broken line showing of the inner edge of the bottle pour spout is included for the purpose of illustrating environmental structure and forms no part of the claimed design.

1 Claim, 7 Drawing Sheets



FRONT PERSPECTIVE



BOTTOM PERSPECTIVE

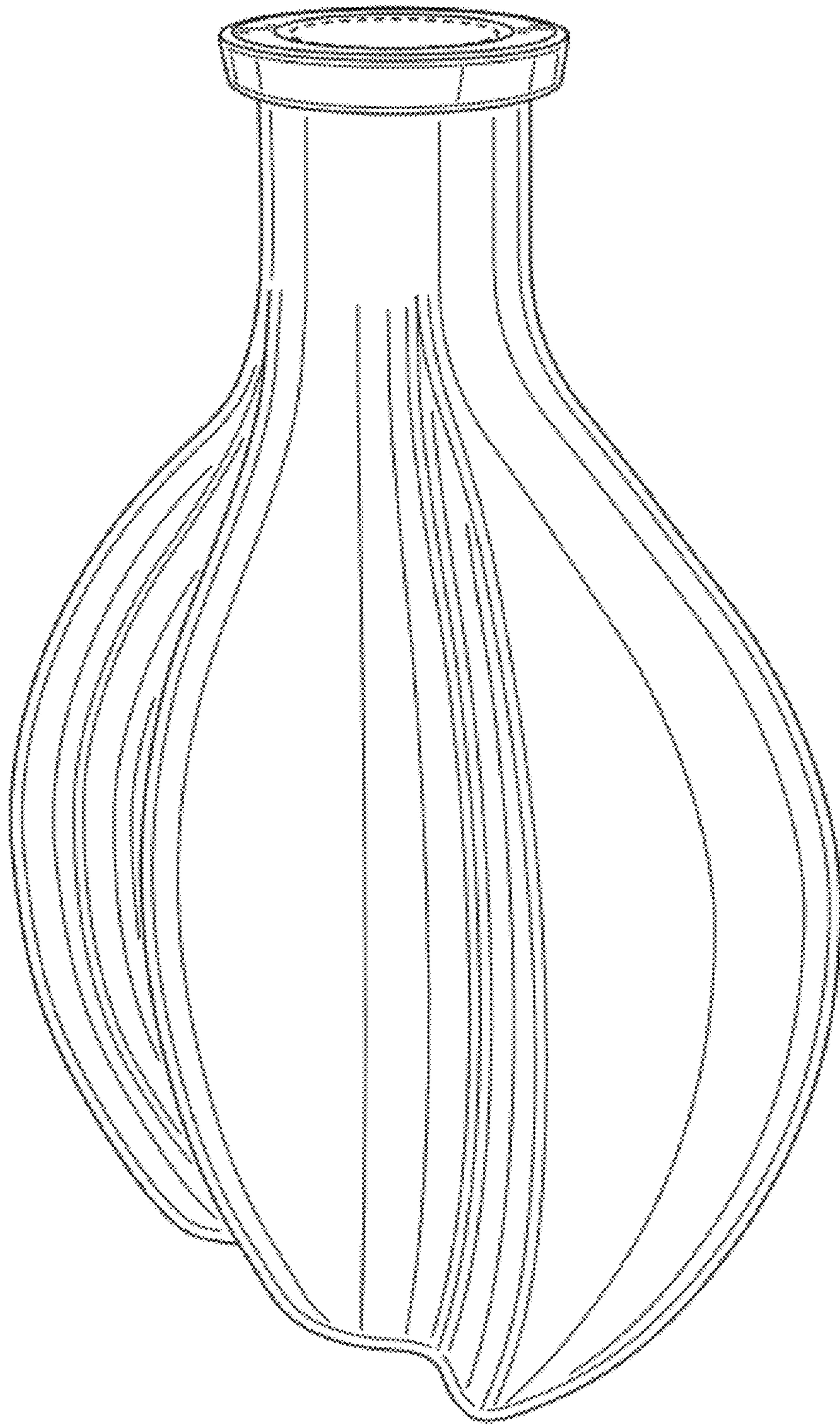


FIG. 1
FRONT PERSPECTIVE

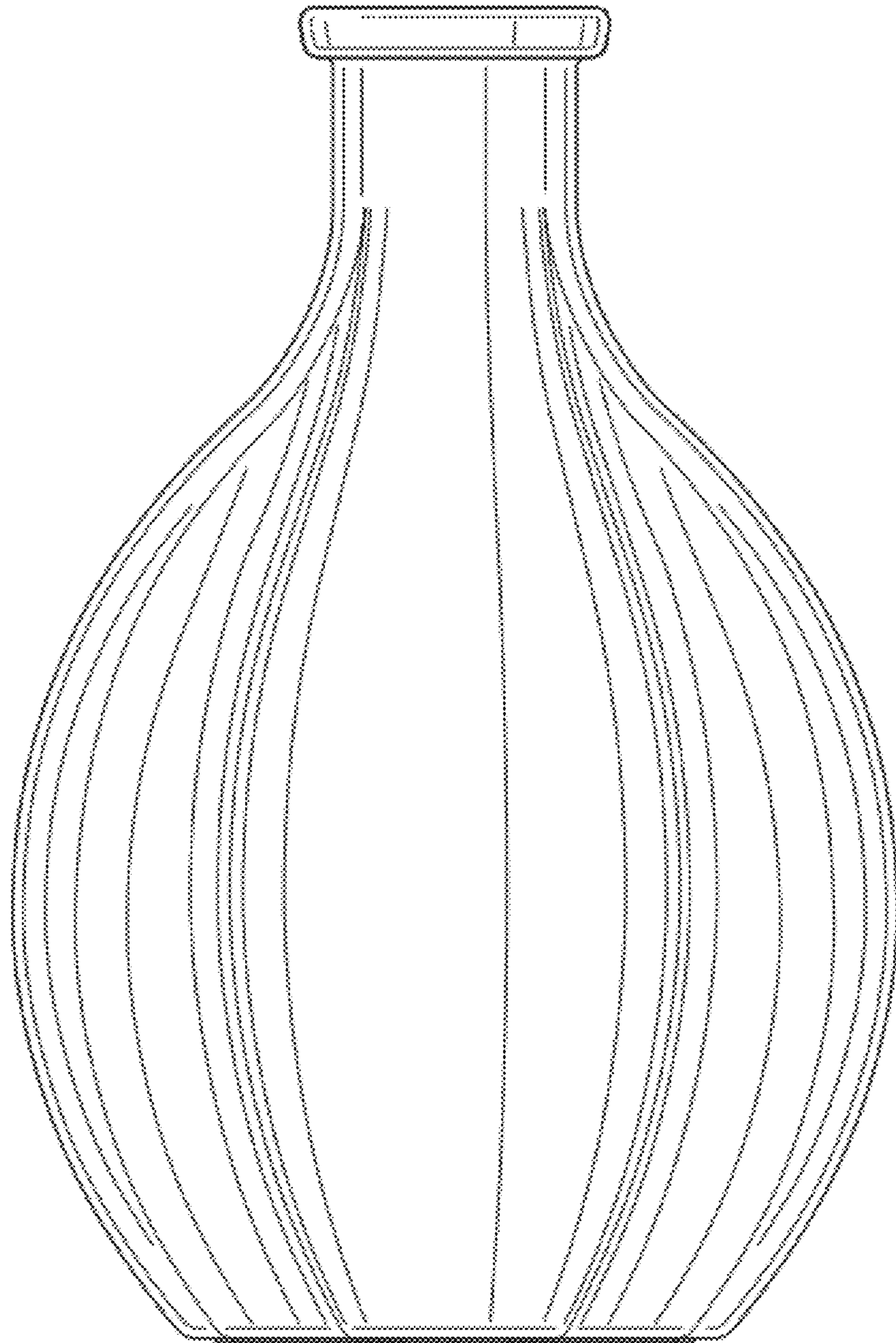


FIG. 2
FRONT

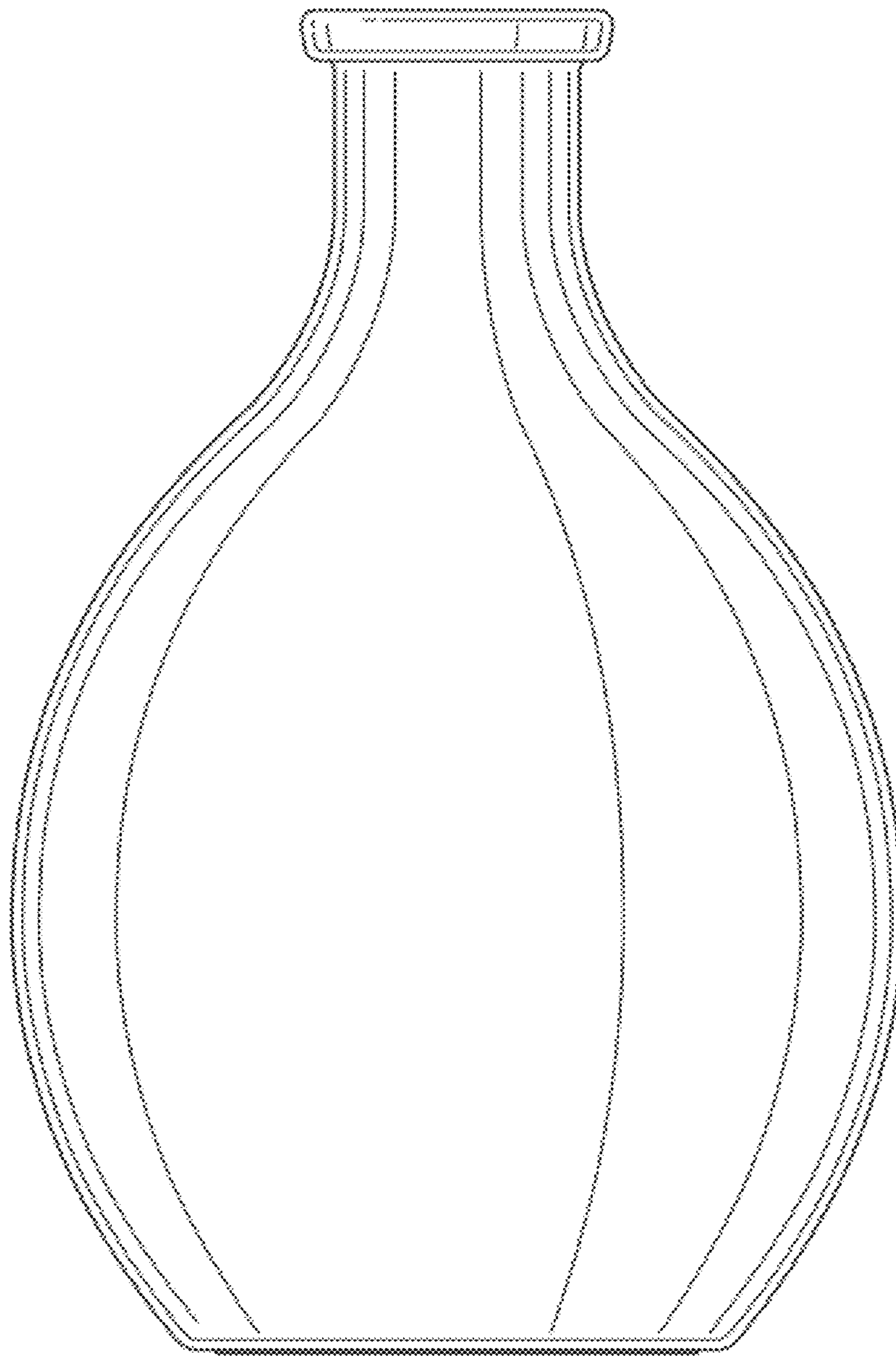


FIG. 3
BACK



FIG. 4
LEFT SIDE

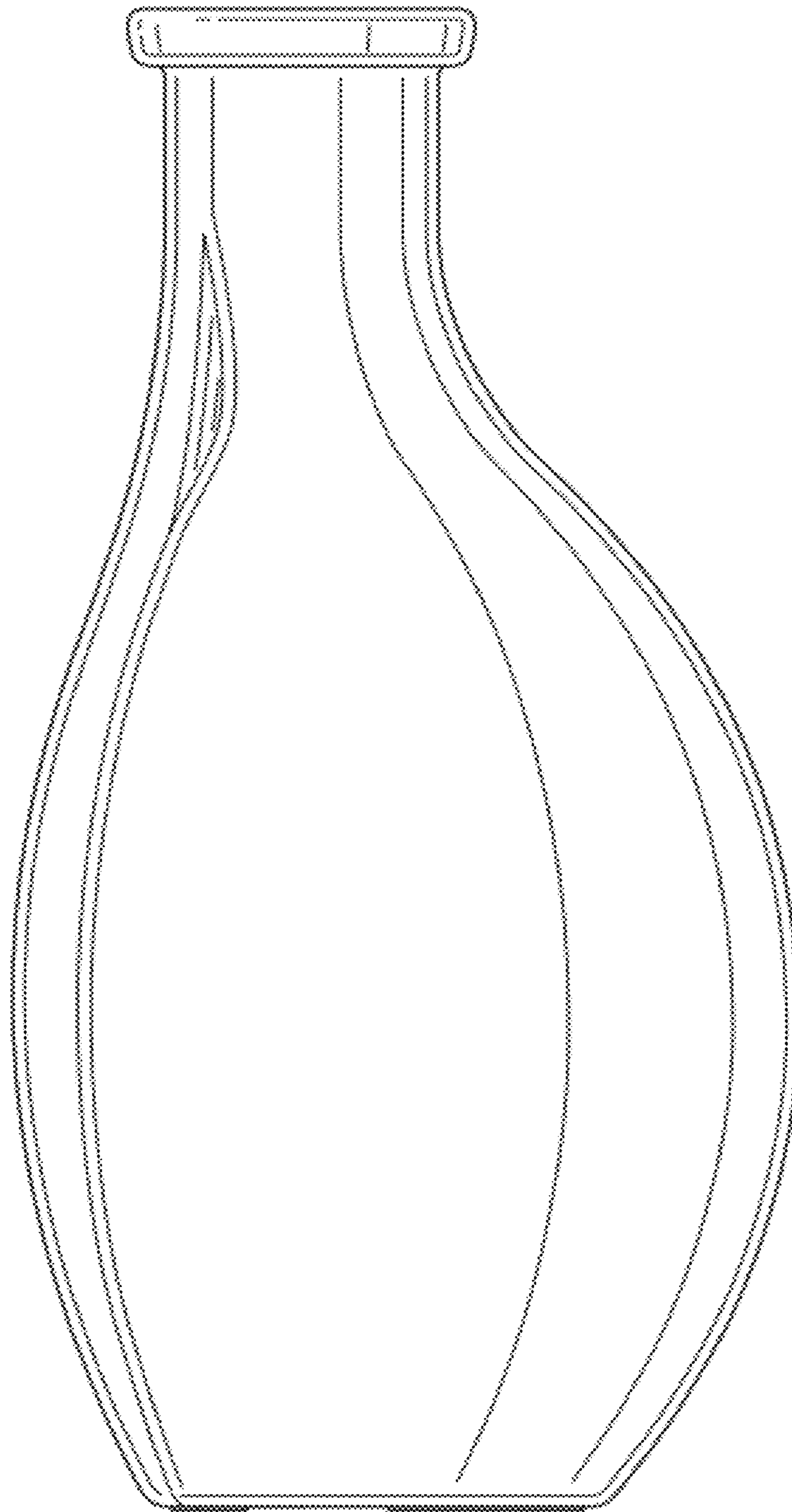


FIG. 5
RIGHT SIDE

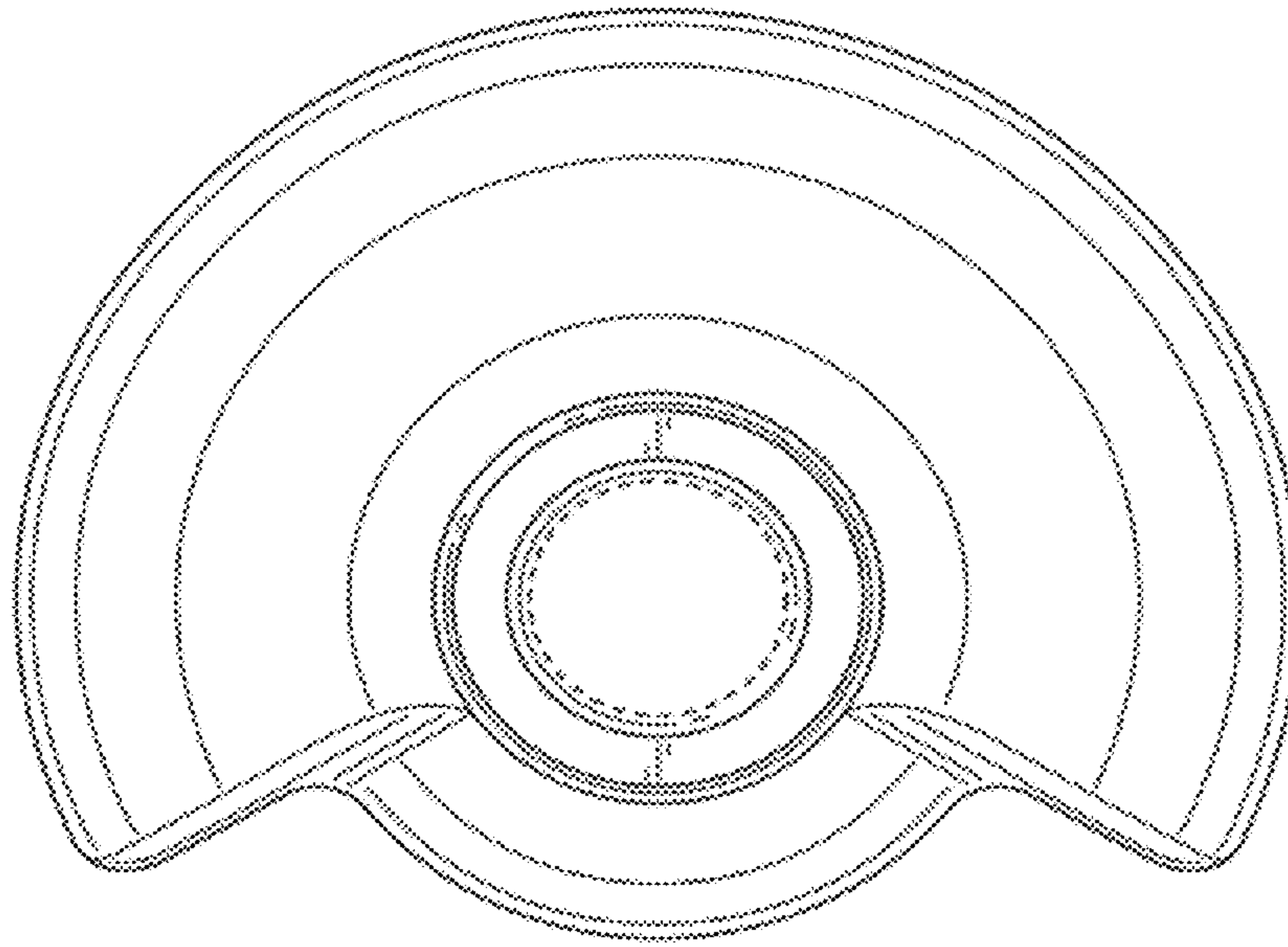


FIG. 6
TOP

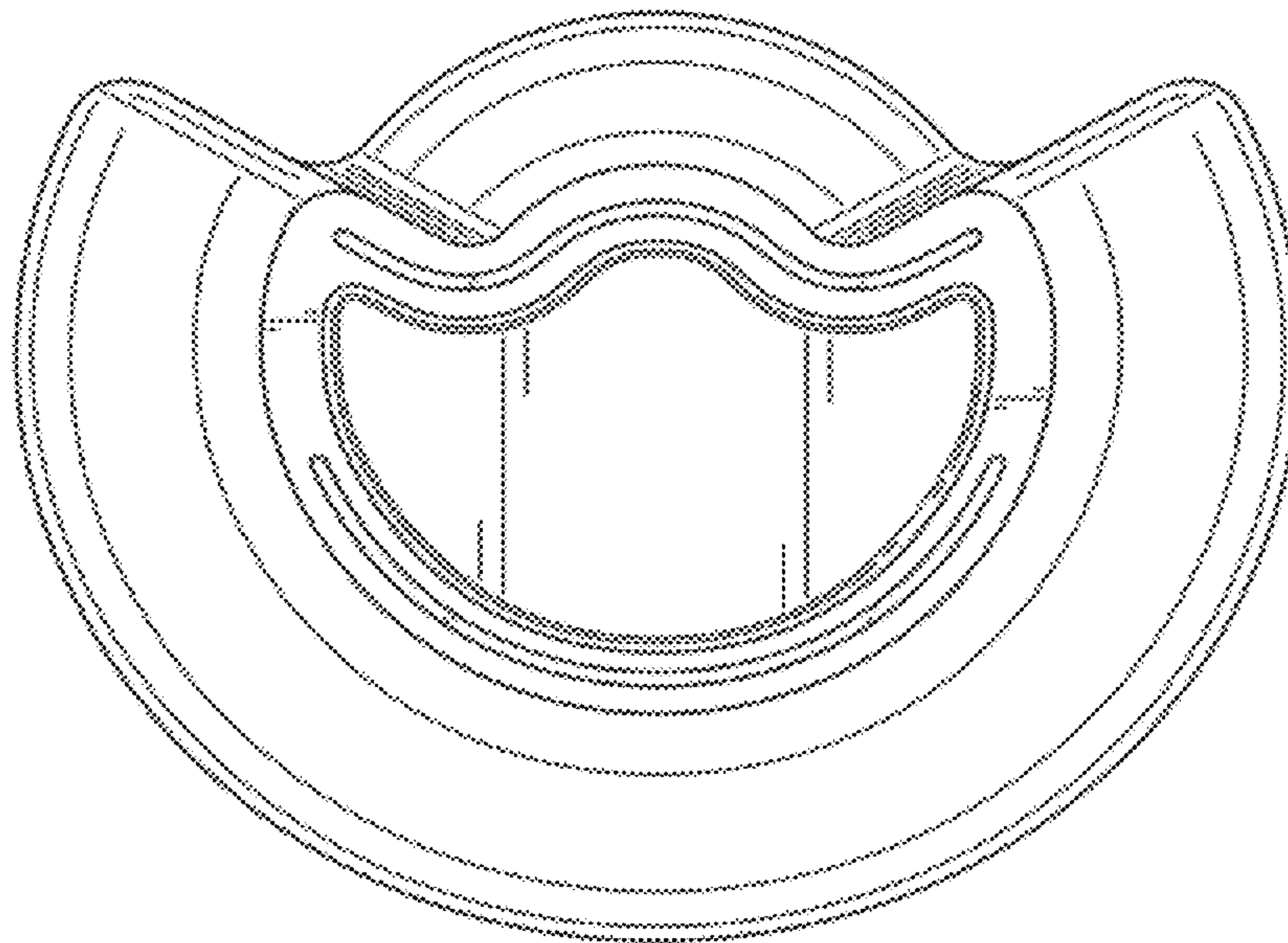


FIG. 7
BOTTOM

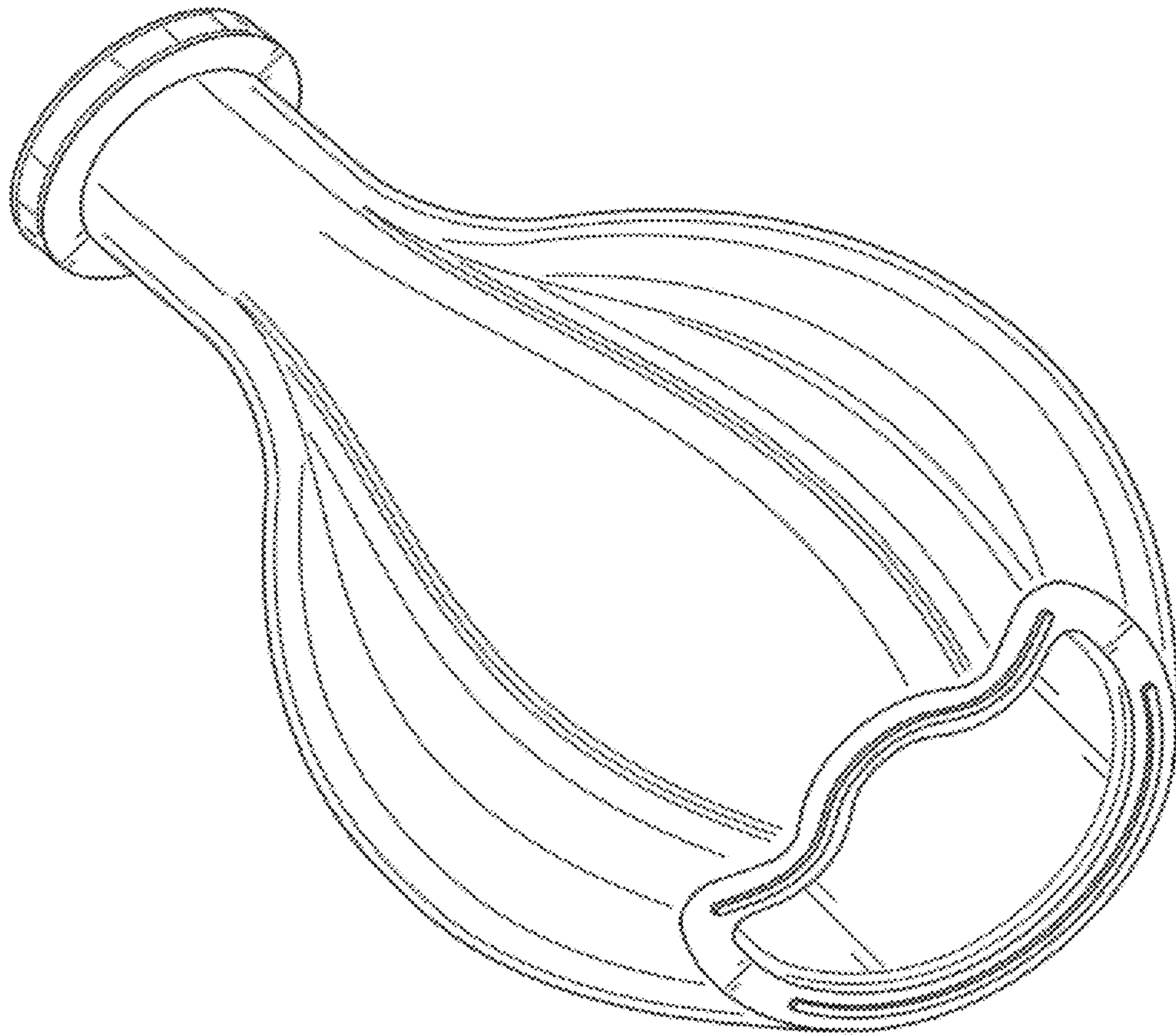


FIG. 8
BOTTOM PERSPECTIVE