



US00D675529S

(12) **United States Design Patent**
Jacobs et al.

(10) **Patent No.:** **US D675,529 S**

(45) **Date of Patent:** **** Feb. 5, 2013**

(54) **CONTAINER FOR FRAGRANCE**

(75) Inventors: **Marc Jacobs**, New York, NY (US);
Harry Allen, New York, NY (US)

(73) Assignee: **Marc Jacobs Trademarks L.L.C.**, New York, NY (US)

(**) Term: **14 Years**

(21) Appl. No.: **29/381,740**

(22) Filed: **Dec. 22, 2010**

(30) **Foreign Application Priority Data**

Jun. 23, 2010 (EM) 001221519-0001

(51) **LOC (9) Cl.** **09-01**

(52) **U.S. Cl.** **D9/522; D9/523; D9/530; D9/566;**
D9/567; D9/572

(58) **Field of Classification Search** D9/516,
D9/522-523, 530, 541-544, 546, 549, 554,
D9/560, 565, 567, 572-575, 430, 432, 435;
215/381-385

See application file for complete search history.

(56) **References Cited**

U.S. PATENT DOCUMENTS

D71,782 S *	1/1927	Delaize	D9/544
D74,883 S *	4/1928	Haley	D9/554 X
D86,566 S *	3/1932	Gibson	D9/544
D100,372 S *	7/1936	Guerlain	D9/544
D139,433 S *	11/1944	Buckingham	D9/522
D151,028 S *	9/1948	Blitzstein	D9/522
D220,798 S *	5/1971	Leonard	D9/567
D247,282 S *	2/1978	Zimmermann	D9/544 X
D278,209 S *	4/1985	Dinand	D9/544
D286,139 S *	10/1986	O'Reilly	D9/567 X
D303,213 S *	9/1989	Mansau	D9/572
D311,865 S *	11/1990	Rohmeder	D9/566 X
D326,224 S *	5/1992	Dinand	D9/571 X
D333,269 S *	2/1993	Albright et al.	D9/566 X3

D432,407 S *	10/2000	Lee	D9/522
D438,096 S *	2/2001	Lehnert	D9/522 X
D446,124 S *	8/2001	Lehnert	D9/523 X
D450,592 S *	11/2001	Guseo	D9/516 X
D454,301 S *	3/2002	Moldoveanu	D9/430 X
D461,716 S *	8/2002	Guseo	D9/546 X
D543,851 S *	6/2007	Franic	D9/560 X
D555,480 S *	11/2007	Nicosia et al.	D9/522
D588,466 S *	3/2009	Sukhanovskiy	D9/567 X
D610,013 S *	2/2010	Mendelson	D9/573 X
D643,733 S *	8/2011	Aebi	D9/574 X
D653,956 S *	2/2012	Tauer	D9/573 X

* cited by examiner

Primary Examiner — Carol P Rademaker

(74) *Attorney, Agent, or Firm* — Finnegan, Henderson, Farabow, Garrett & Dunner, LLP

(57) **CLAIM**

The ornamental design for a container for fragrance, as shown and described.

DESCRIPTION

FIG. 1 is a top, front, left side perspective view of a container for fragrance showing our new design;

FIG. 2 is a top, front perspective view thereof;

FIG. 3 is a top, left side perspective view thereof;

FIG. 4 is a top, right side perspective view thereof;

FIG. 5 is a top, rear perspective view thereof;

FIG. 6 is a top, rear, left side perspective view thereof;

FIG. 7 is a top, front, right side perspective view thereof;

FIG. 8 is a front elevational view thereof;

FIG. 9 is a rear elevational view thereof;

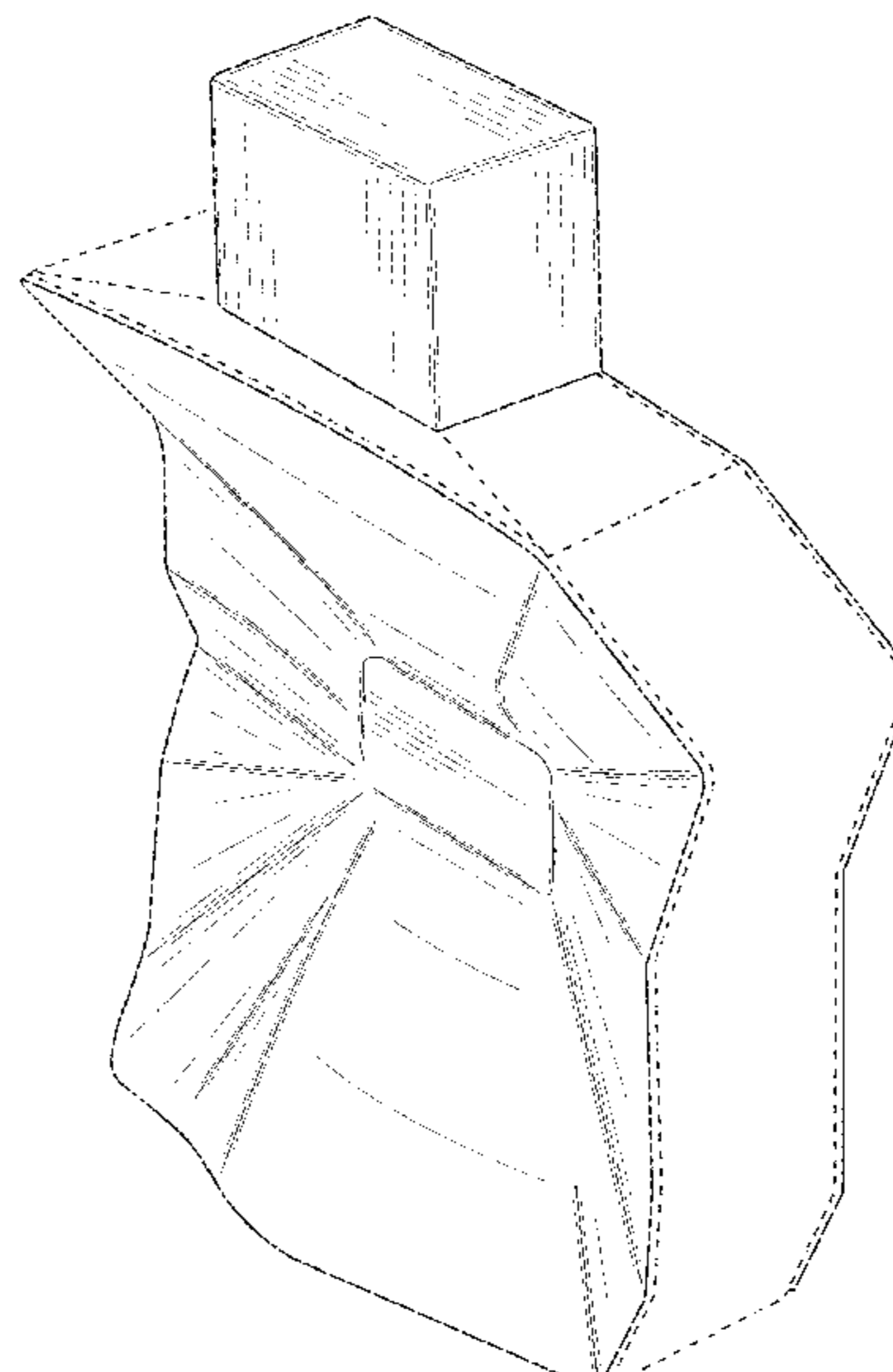
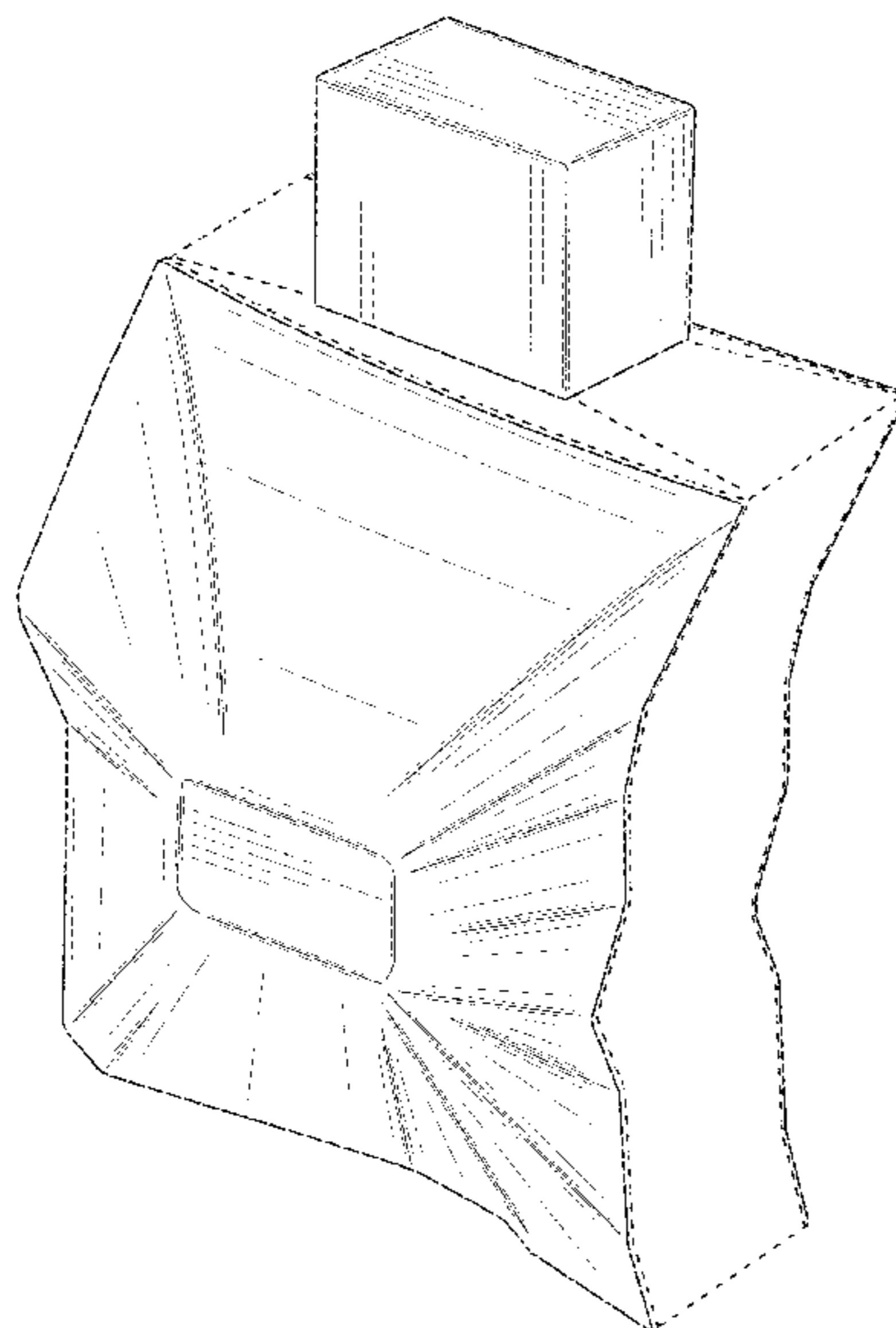
FIG. 10 is a left side elevational view thereof;

FIG. 11 is a right side elevational view thereof; and,

FIG. 12 is a top plan view thereof.

The broken lines shown in the drawings are included for the purpose of illustrating environmental structure and form no part of the claimed design.

1 Claim, 12 Drawing Sheets



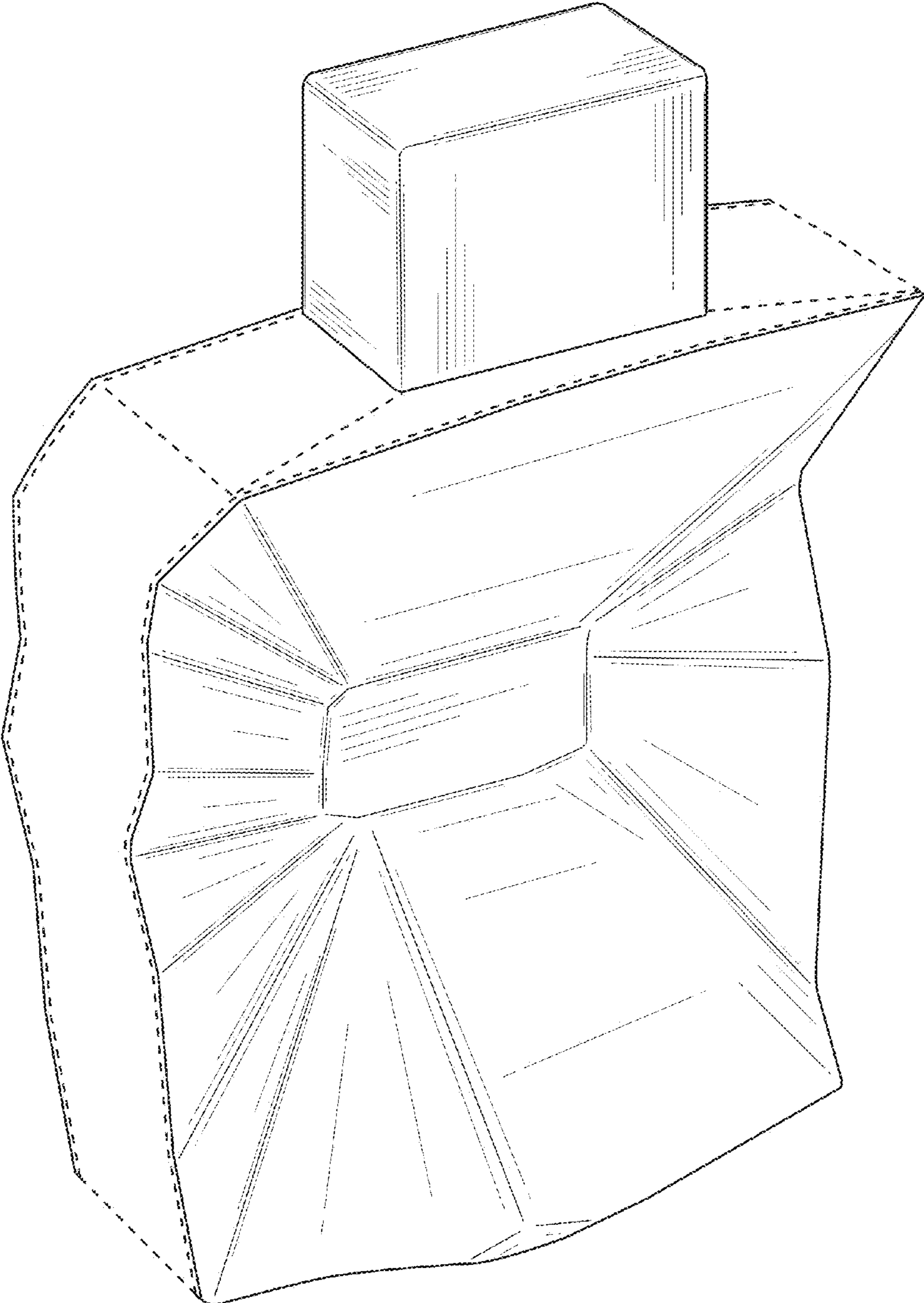


FIG. 1

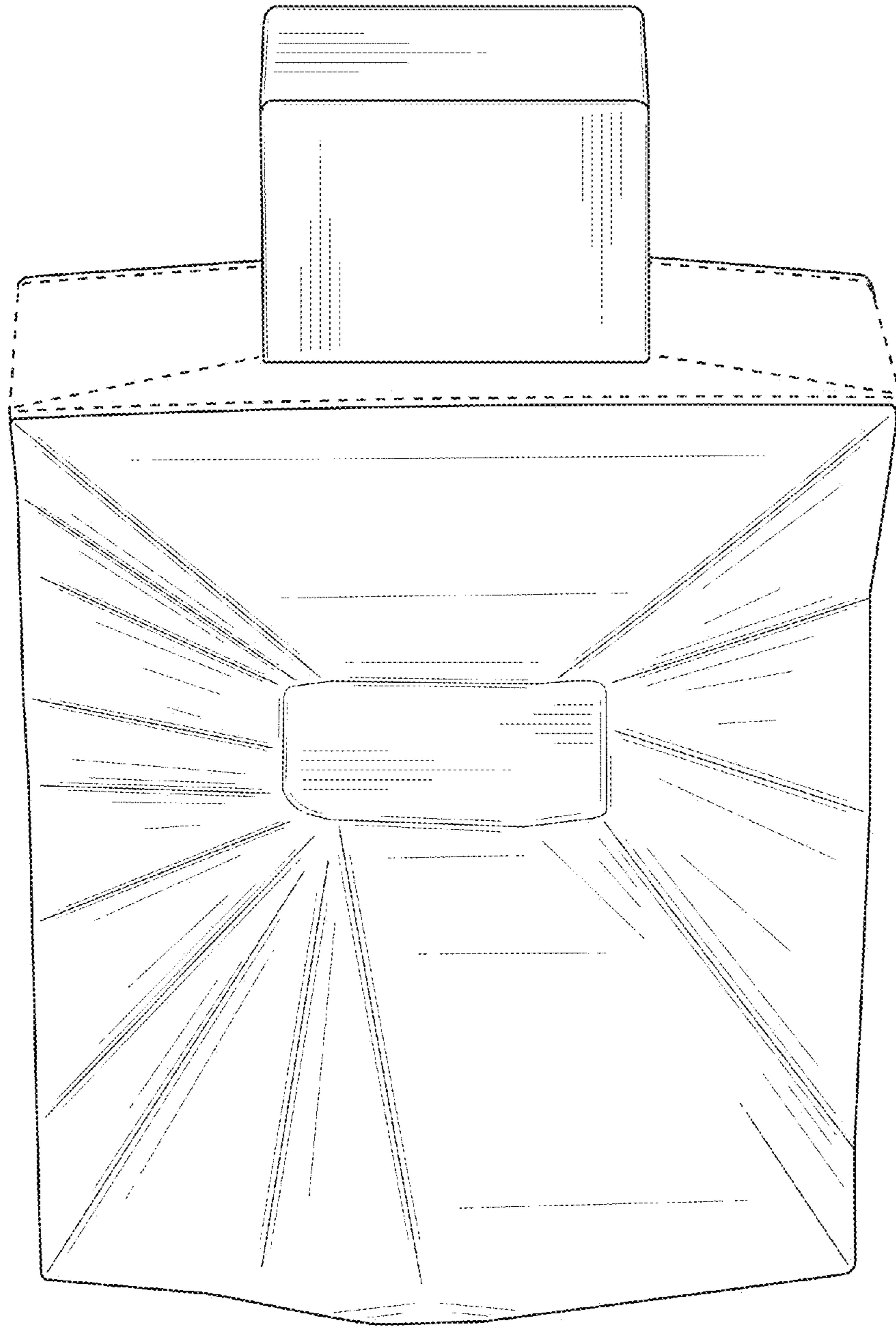


FIG. 2

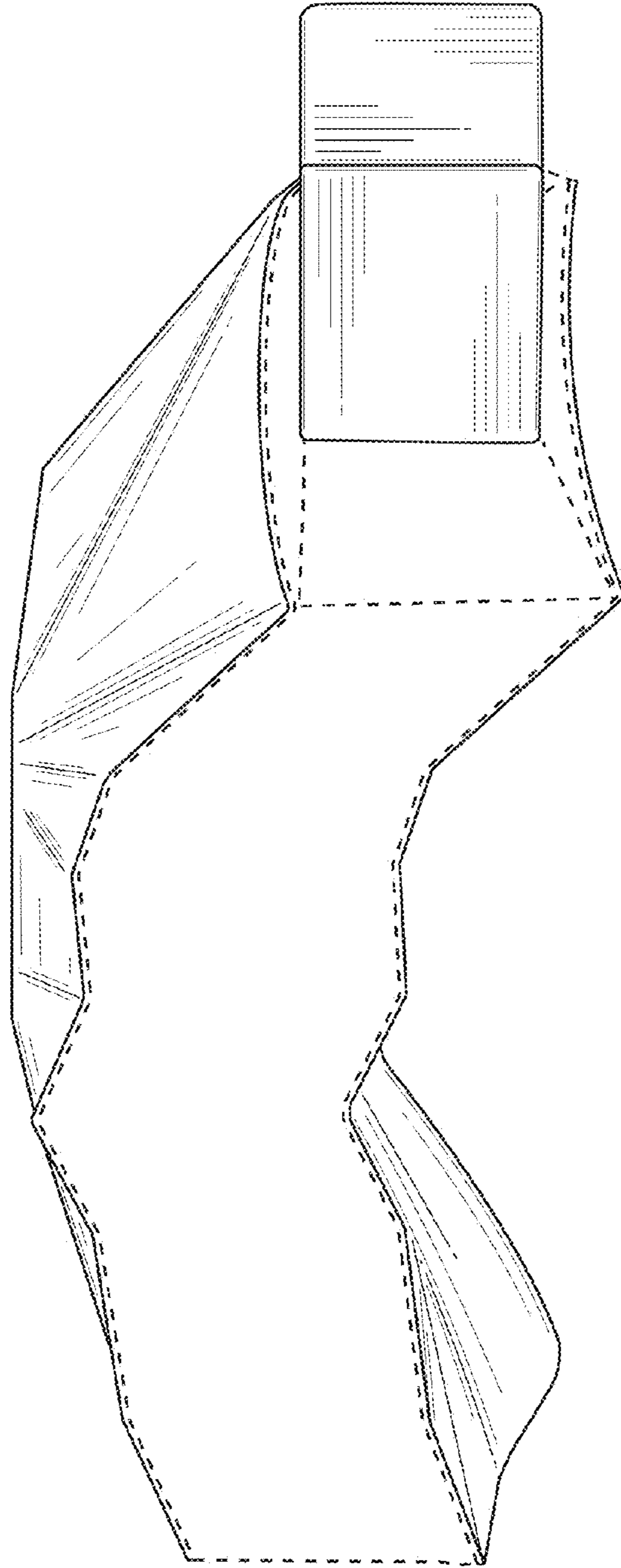


FIG. 3

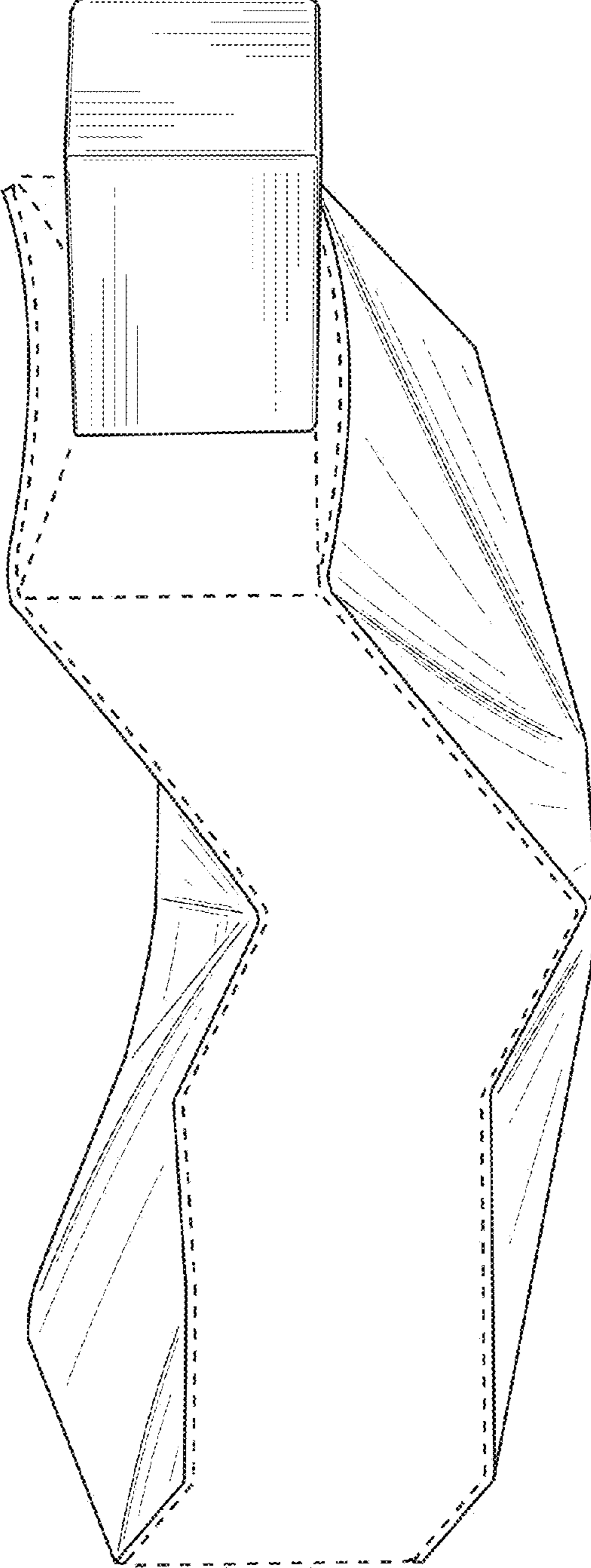


FIG. 4

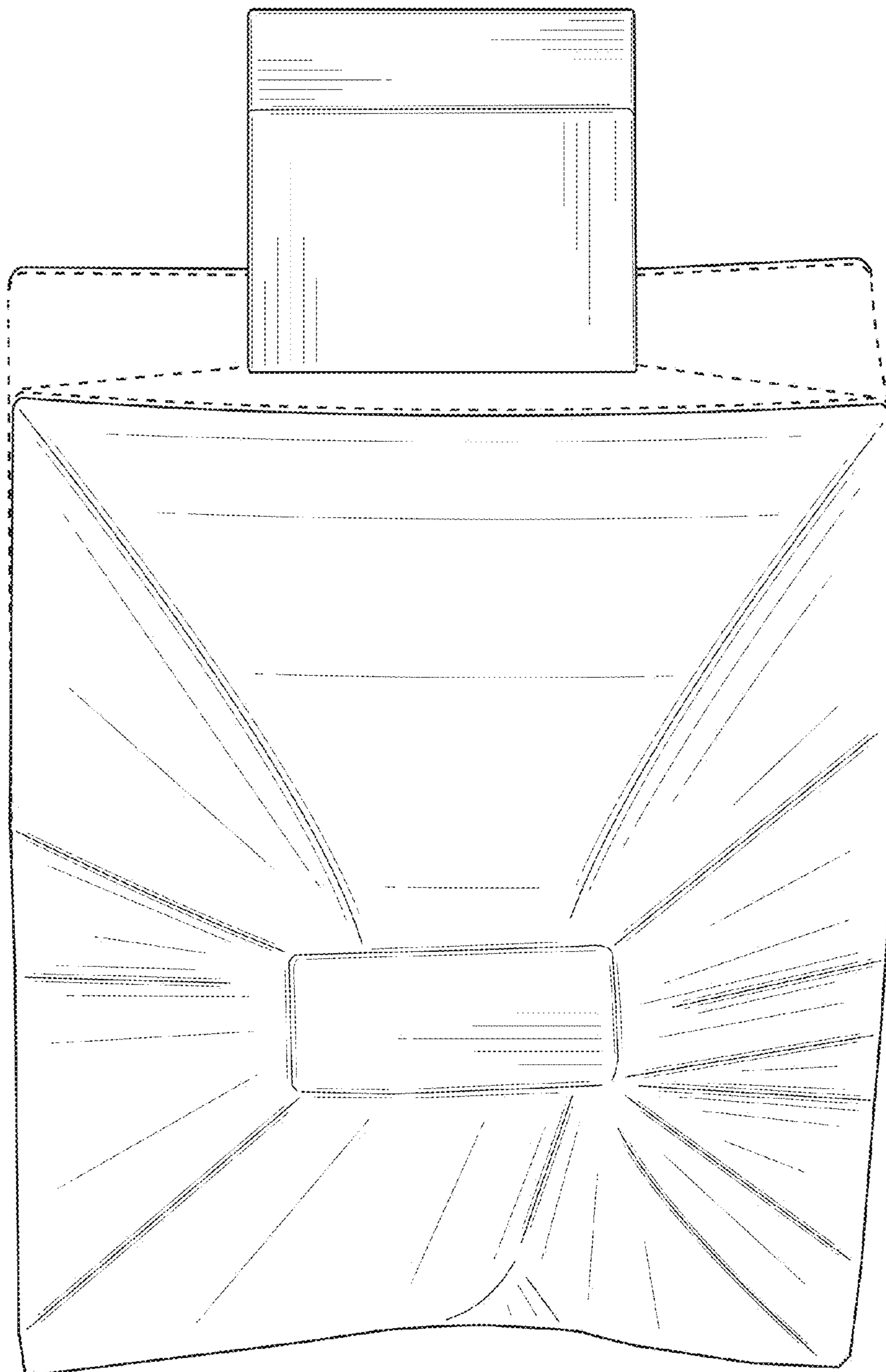


FIG. 5

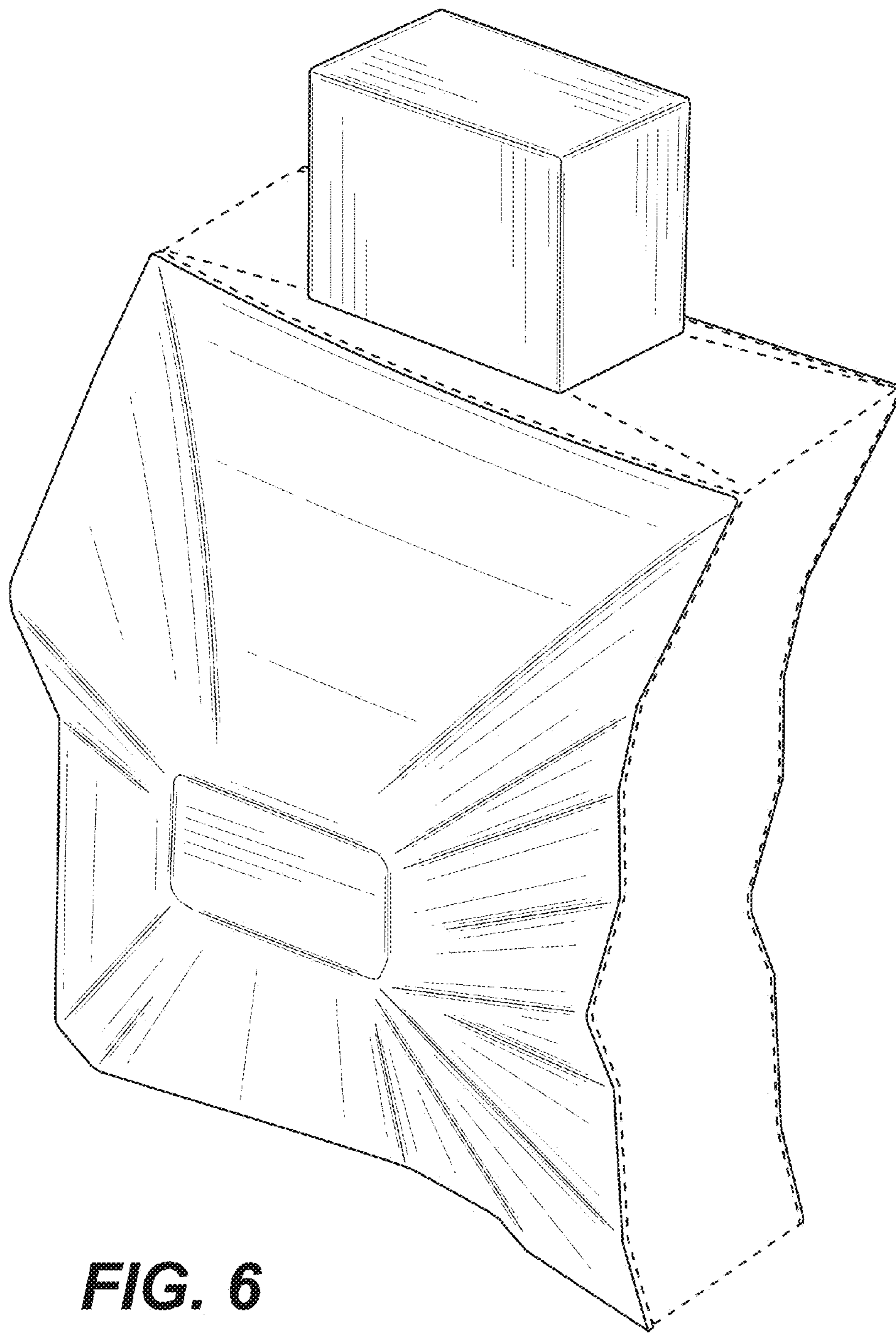


FIG. 6

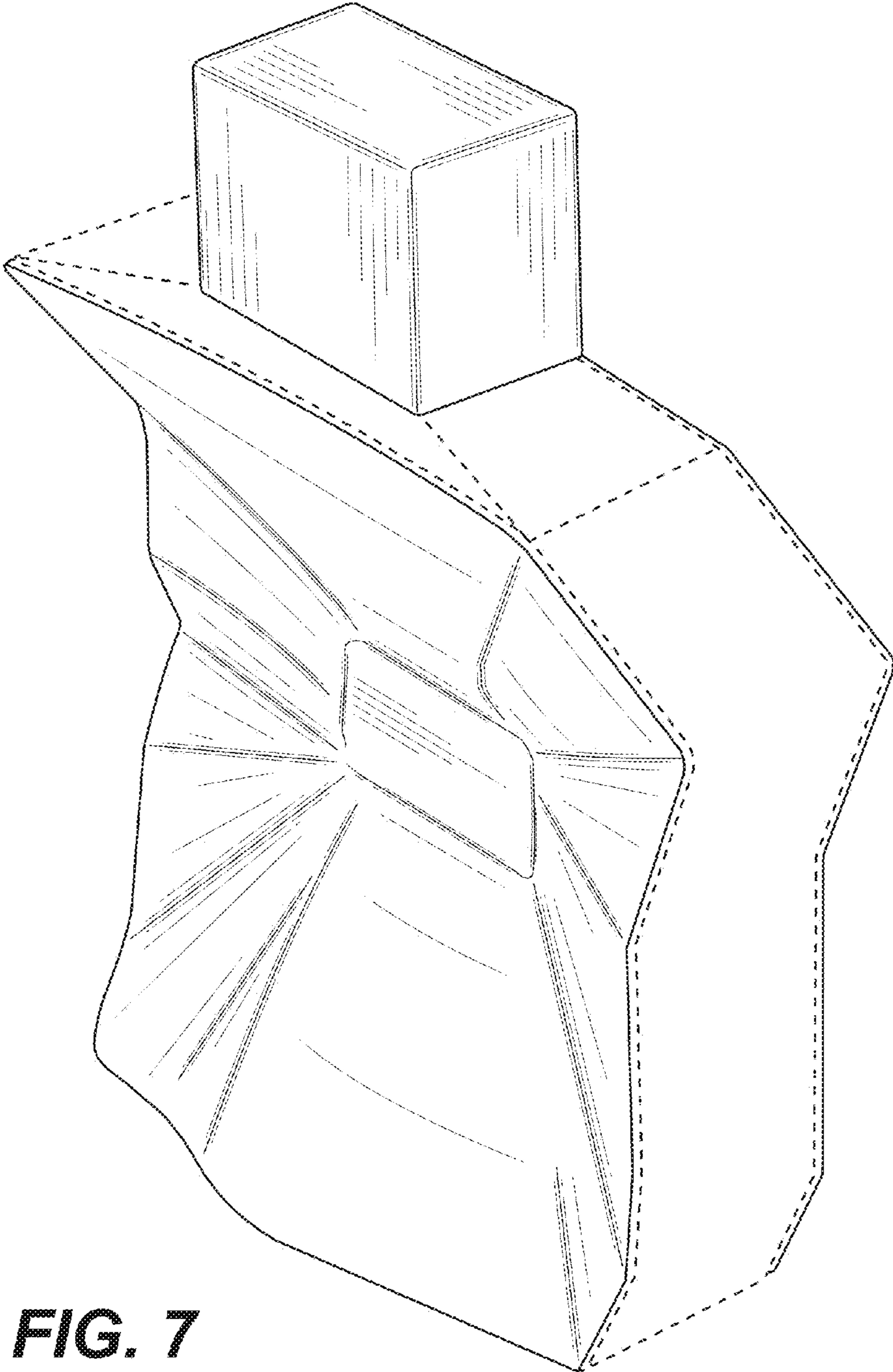


FIG. 7

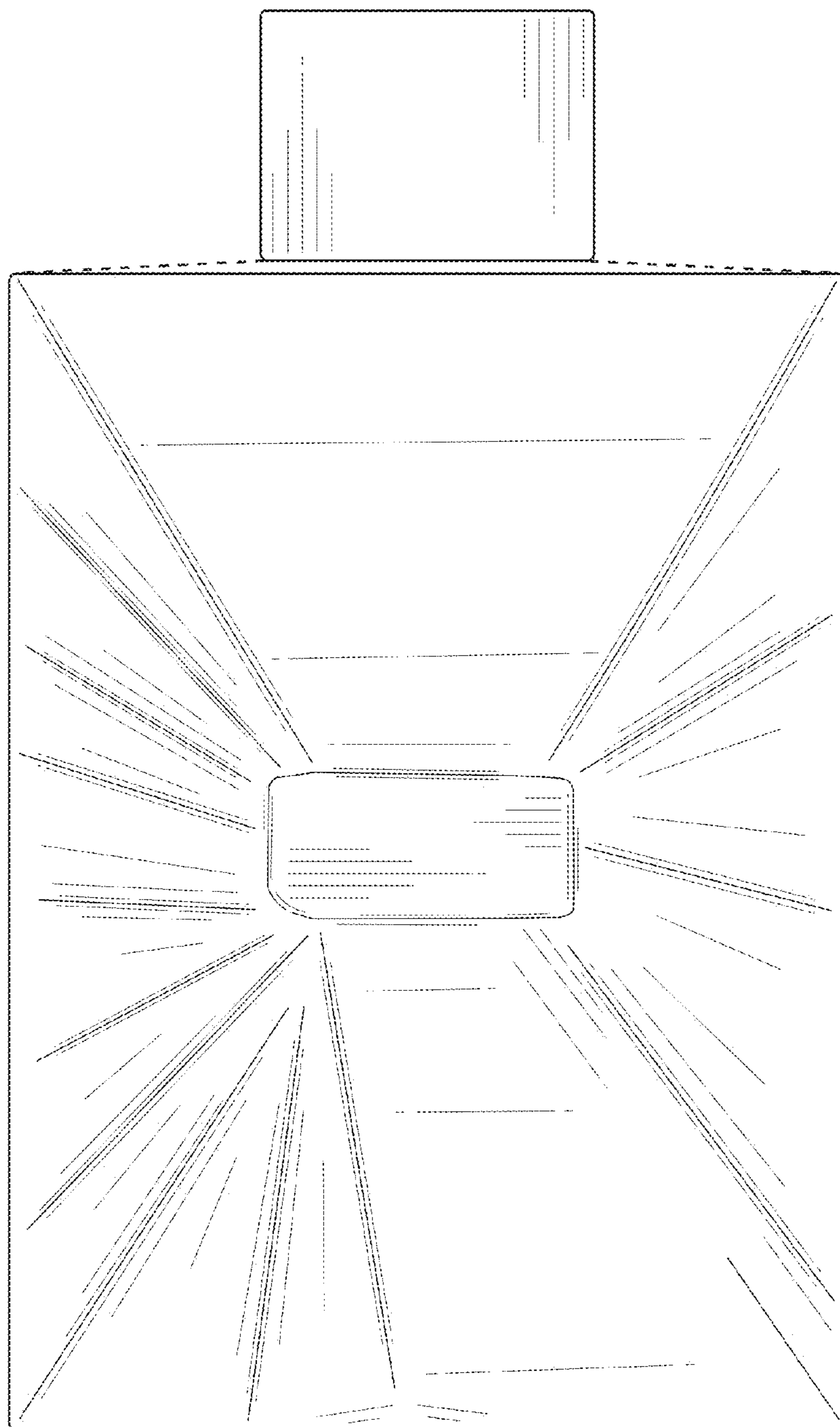


FIG. 8

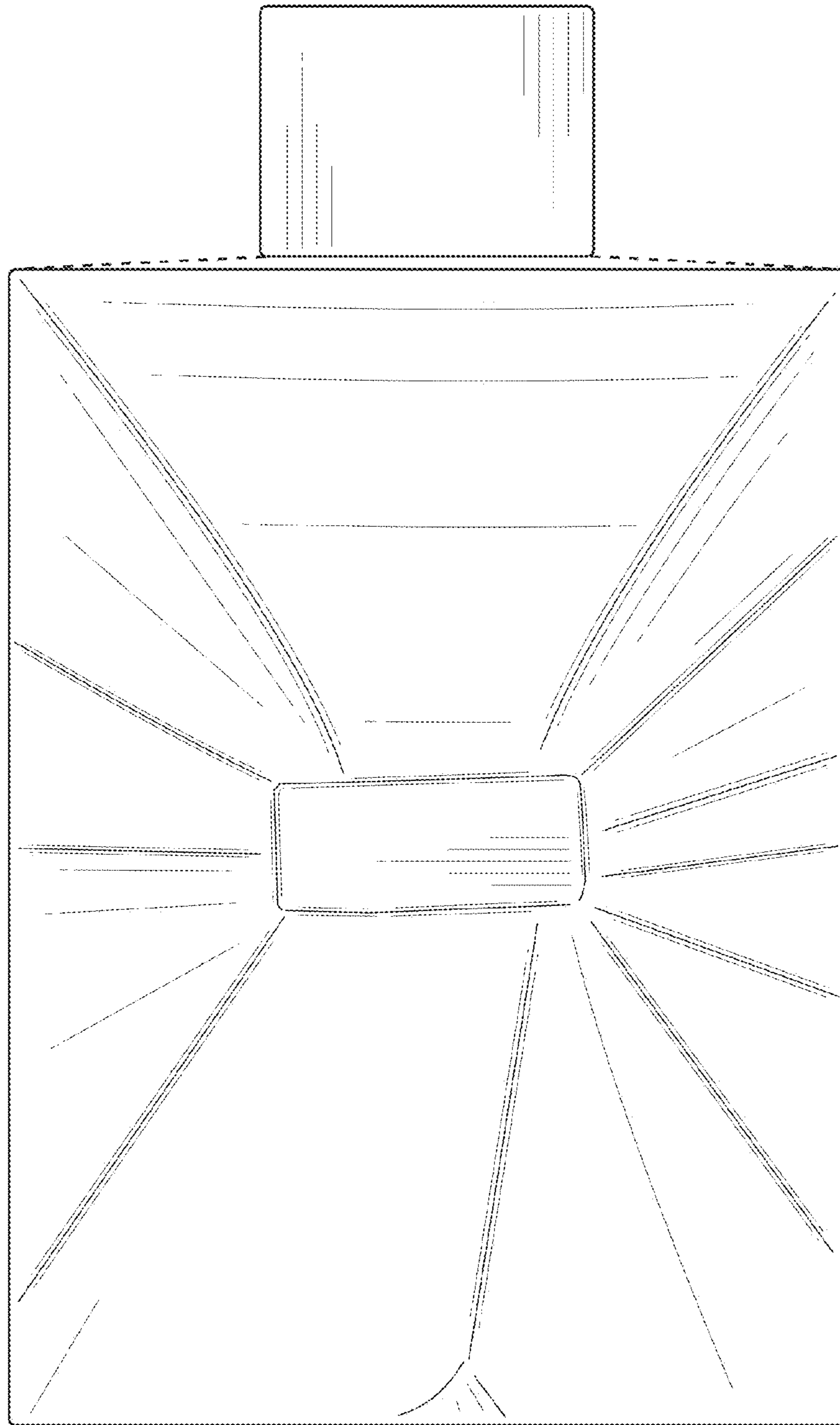


FIG. 9

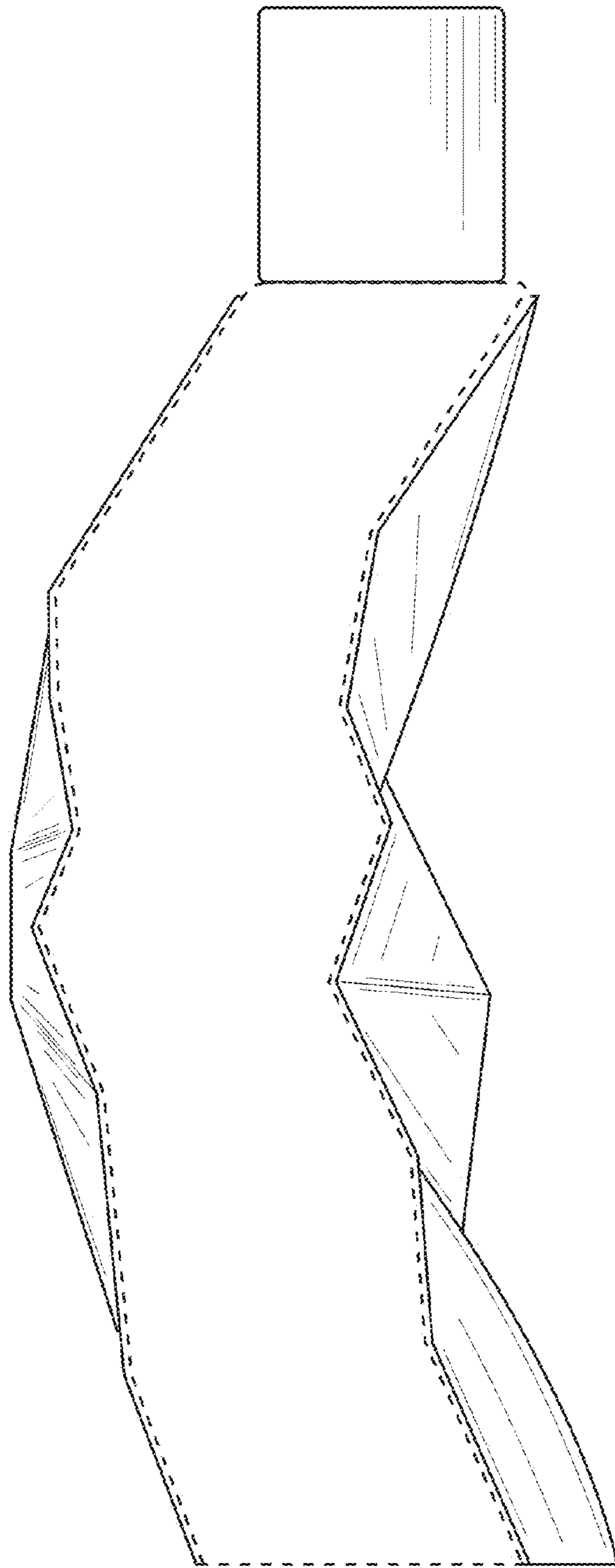


FIG. 10

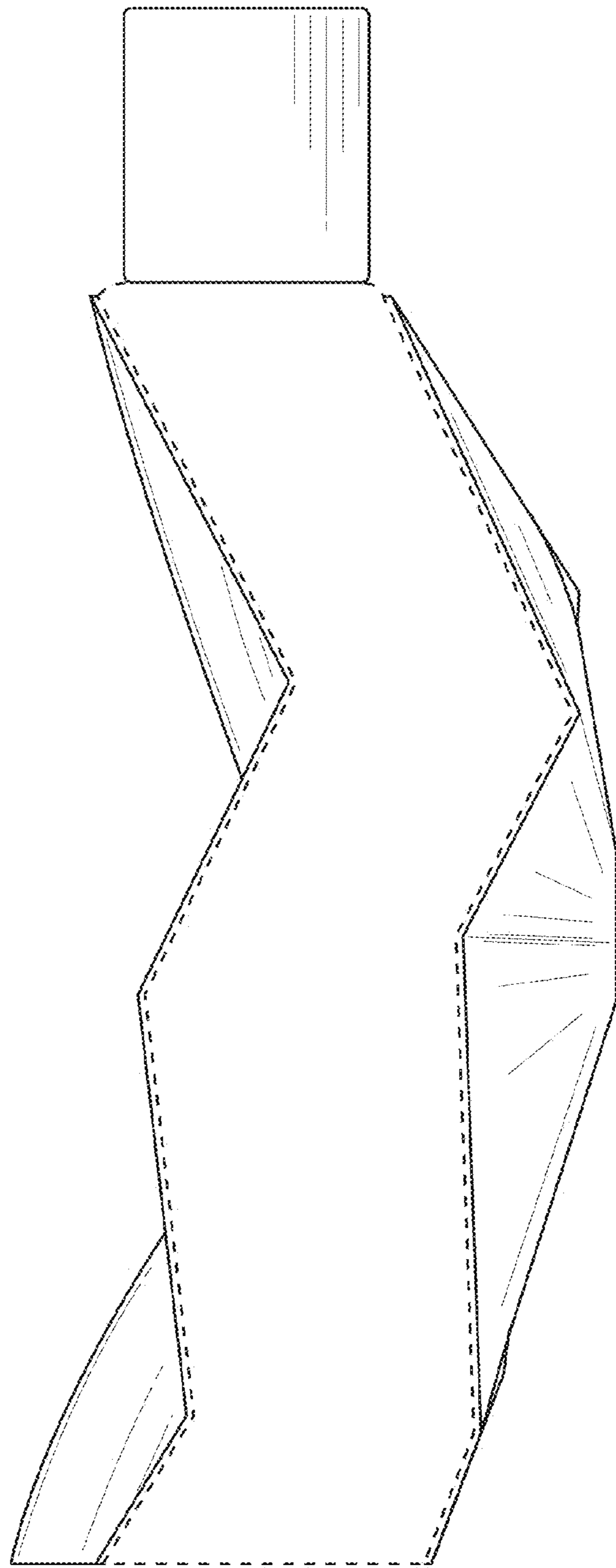


FIG. 11

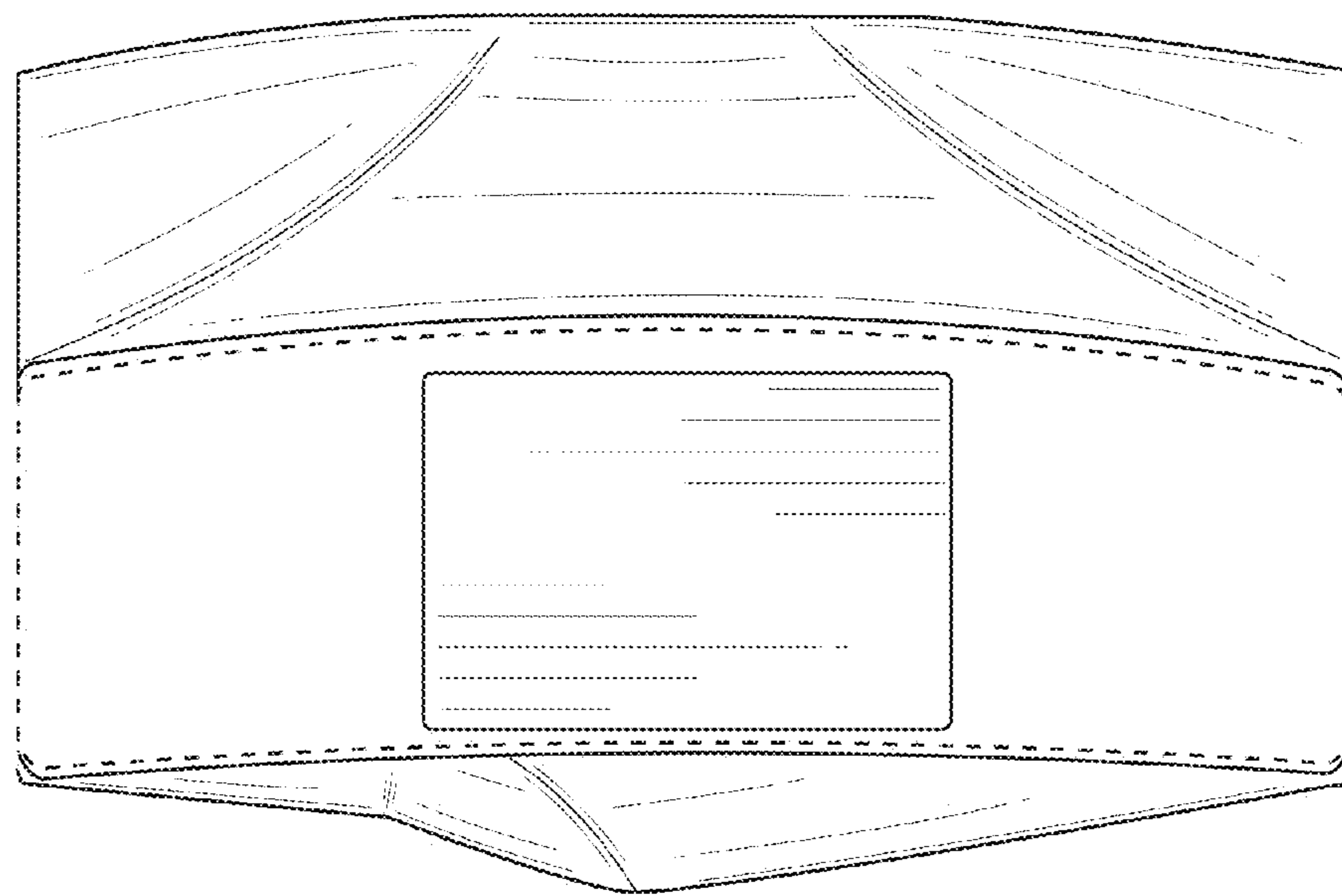


FIG. 12