



US00D675524S

(12) **United States Design Patent**
Bickert et al.

(10) **Patent No.:** **US D675,524 S**
(45) **Date of Patent:** **** Feb. 5, 2013**

(54) **CUP LID**
(75) Inventors: **Robert Bickert**, Mobile, AL (US);
Mark Eyman, Chicago, IL (US)
(73) Assignee: **Ebsco Industries, Inc.**, Birmingham, AL
(US)
(**) Term: **14 Years**
(21) Appl. No.: **29/392,401**
(22) Filed: **May 20, 2011**
(51) **LOC (9) Cl.** **09-07**
(52) **U.S. Cl.** **D9/447; D9/454; D7/392.1**
(58) **Field of Classification Search** **D7/300,**
D7/387, 391, 392, 392.1, 393, 509, 510, 511,
D7/538, 629, 900; D9/434, 435, 438, 439,
D9/440, 443, 447, 448, 449, 452, 453, 454;
D24/199; 215/12.1, 216, 225, 230, 233,
215/237, 238, 249, 251, 253, 254, 266, 318,
215/354, 364; 220/254.3, 254.5, 254.9, 264,
220/266, 368, 521, 711, 714
See application file for complete search history.

7,537,136 B2 5/2009 Hechmati
D614,954 S * 5/2010 Crowell et al. D9/447
D618,967 S 7/2010 Bodum
D623,474 S 9/2010 Carlson et al.
D623,476 S 9/2010 Carlson et al.
D629,298 S * 12/2010 Wong D9/447
D631,284 S * 1/2011 Fuller D7/392.1
D631,936 S 2/2011 Wright
D634,192 S * 3/2011 Mueller D9/436
7,922,031 B1 4/2011 Prince
D640,094 S 6/2011 Carlson et al.
D643,679 S * 8/2011 Lu D7/392.1
D649,878 S * 12/2011 Weiss D9/447
D658,059 S * 4/2012 Bailey D9/447
D660,696 S * 5/2012 Weiss D9/447

(Continued)

FOREIGN PATENT DOCUMENTS

WO WO 2009/008587 1/2009

OTHER PUBLICATIONS

Playtex Baby Twist n' Click Lil' Gripper No-Spout replacement Lid:
<http://www.playtexstore.com/cgi-bin/item/TB50036>; available at
least as early as Feb. 3, 2011.

Primary Examiner — Susan E Krakower
(74) *Attorney, Agent, or Firm* — Smith Gambrell & Russell
LLP

(56) **References Cited**

U.S. PATENT DOCUMENTS

2,956,721 A 10/1960 Bennett
3,904,072 A 9/1975 Whiteside
4,245,752 A * 1/1981 Prueher 220/266
D379,928 S * 6/1997 Freek et al. D9/447
D381,267 S 7/1997 Rush et al.
D381,268 S 7/1997 Rush et al.
D416,755 S * 11/1999 Trombly D7/392.1
D417,845 S 12/1999 Sadlier et al.
D439,516 S * 3/2001 Bakic D9/449
D488,376 S * 4/2004 Chung D9/434
D509,707 S 9/2005 Tien
D516,424 S * 3/2006 Schweigert et al. D9/447
D525,826 S * 8/2006 Kugler D7/392.1
D539,650 S * 4/2007 Smith et al. D9/454
D540,167 S * 4/2007 Smith et al. D9/454
D543,777 S * 6/2007 Seum et al. D7/392.1
D548,012 S 8/2007 Tien

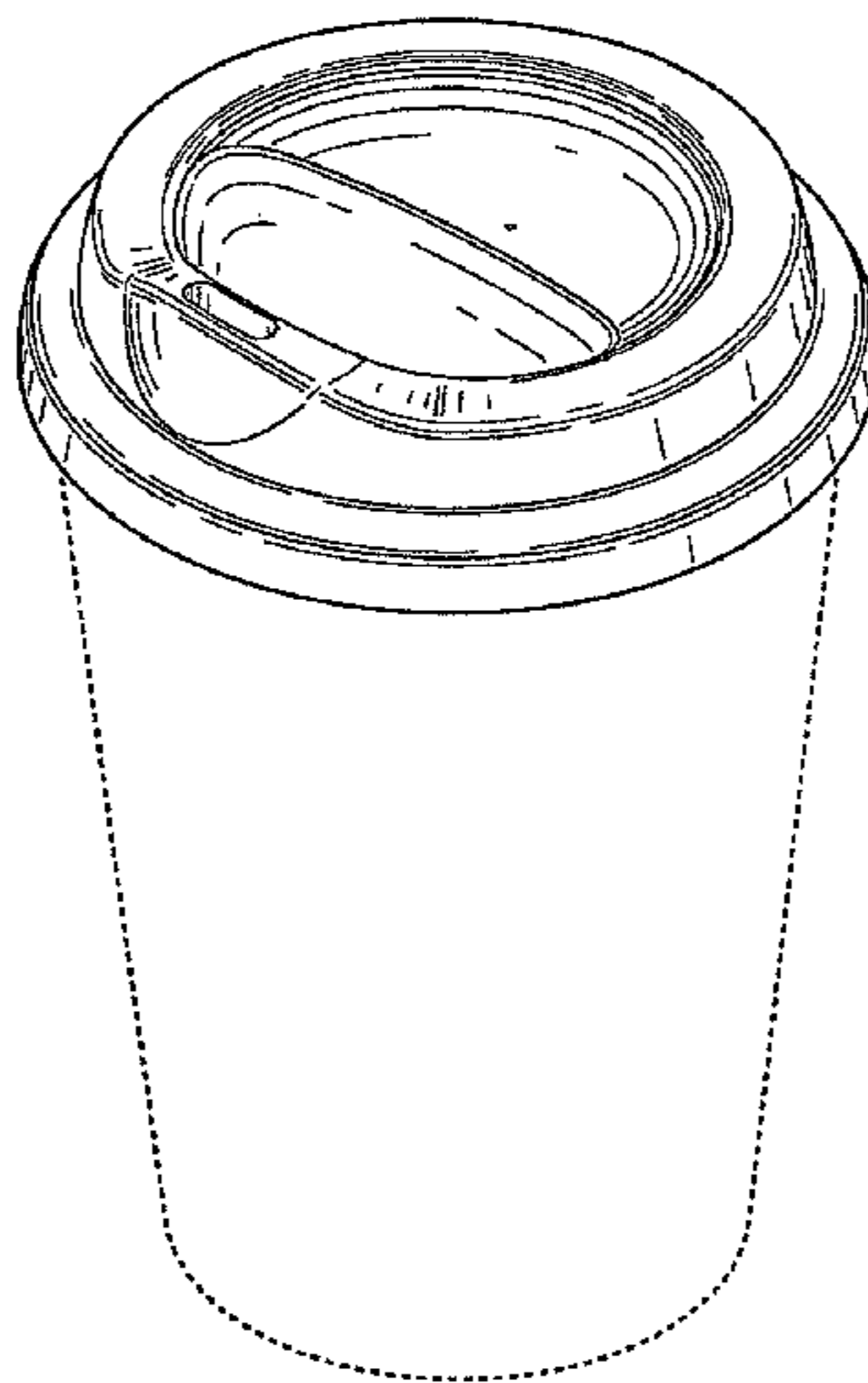
(57) **CLAIM**

The ornamental design for a cup lid, as shown and described.

DESCRIPTION

FIG. 1 is a front perspective view of the cup lid;
FIG. 2 is a first side view of the cup lid;
FIG. 3 is a front view of the cup lid;
FIG. 4 is a rear view of the cup lid;
FIG. 5 is a top view of the cup lid;
FIG. 6 is a bottom view of the cup lid; and,
FIG. 7 is a second side view of the cup lid.
The broken lines illustrate environmental structure and form
no part of the claimed design.

1 Claim, 3 Drawing Sheets



US D675,524 S

Page 2

U.S. PATENT DOCUMENTS

D662,362 S *	6/2012	Bickert et al.	D7/510	2009/0050641 A1	2/2009	Ivey	
D664,001 S *	7/2012	Liu	D7/510	2010/0000998 A1	1/2010	Schutz	
2004/0099544 A1*	5/2004	Ness et al.	206/216	2010/0096395 A1*	4/2010	Miller	220/711
2005/0115977 A1*	6/2005	Dibdin et al.	220/714	2011/0062168 A1	3/2011	Chow et al.	
2008/0078824 A1	4/2008	Spriegel et al.					

* cited by examiner

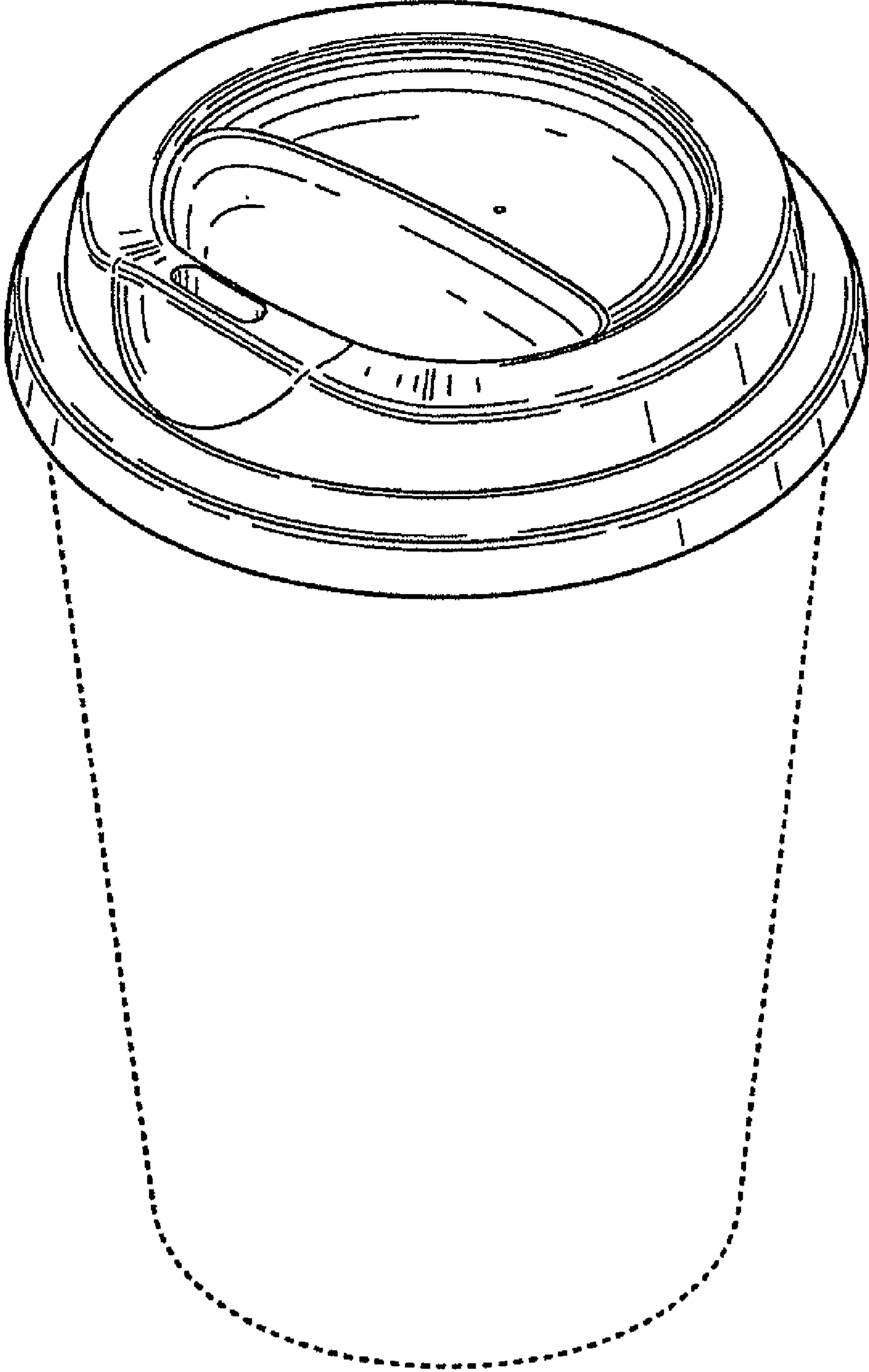


FIG. 1



FIG. 2

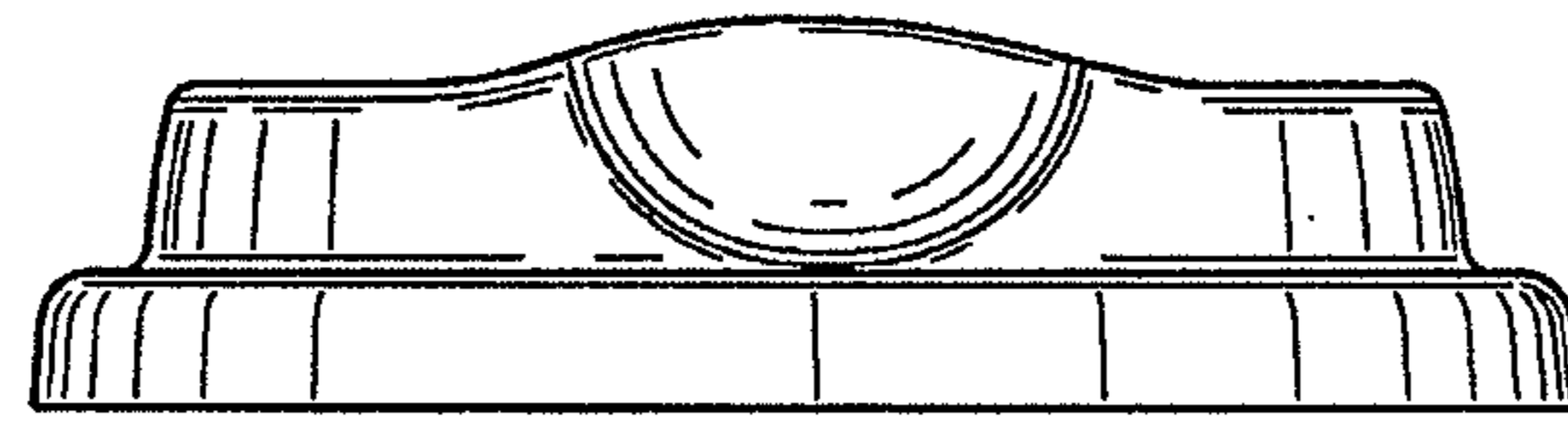


FIG. 3

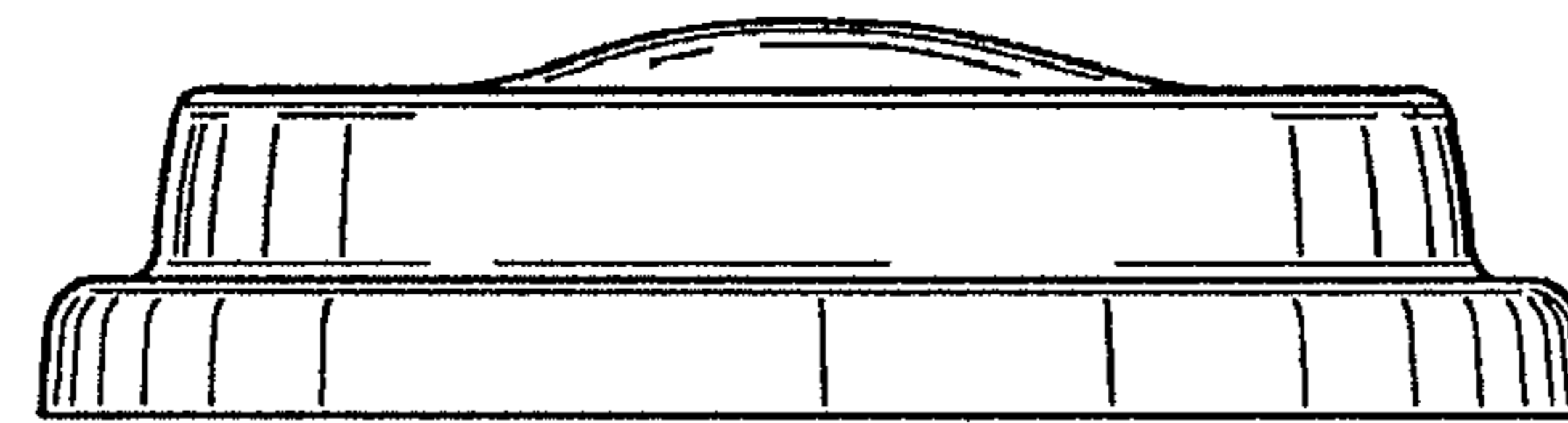


FIG. 4

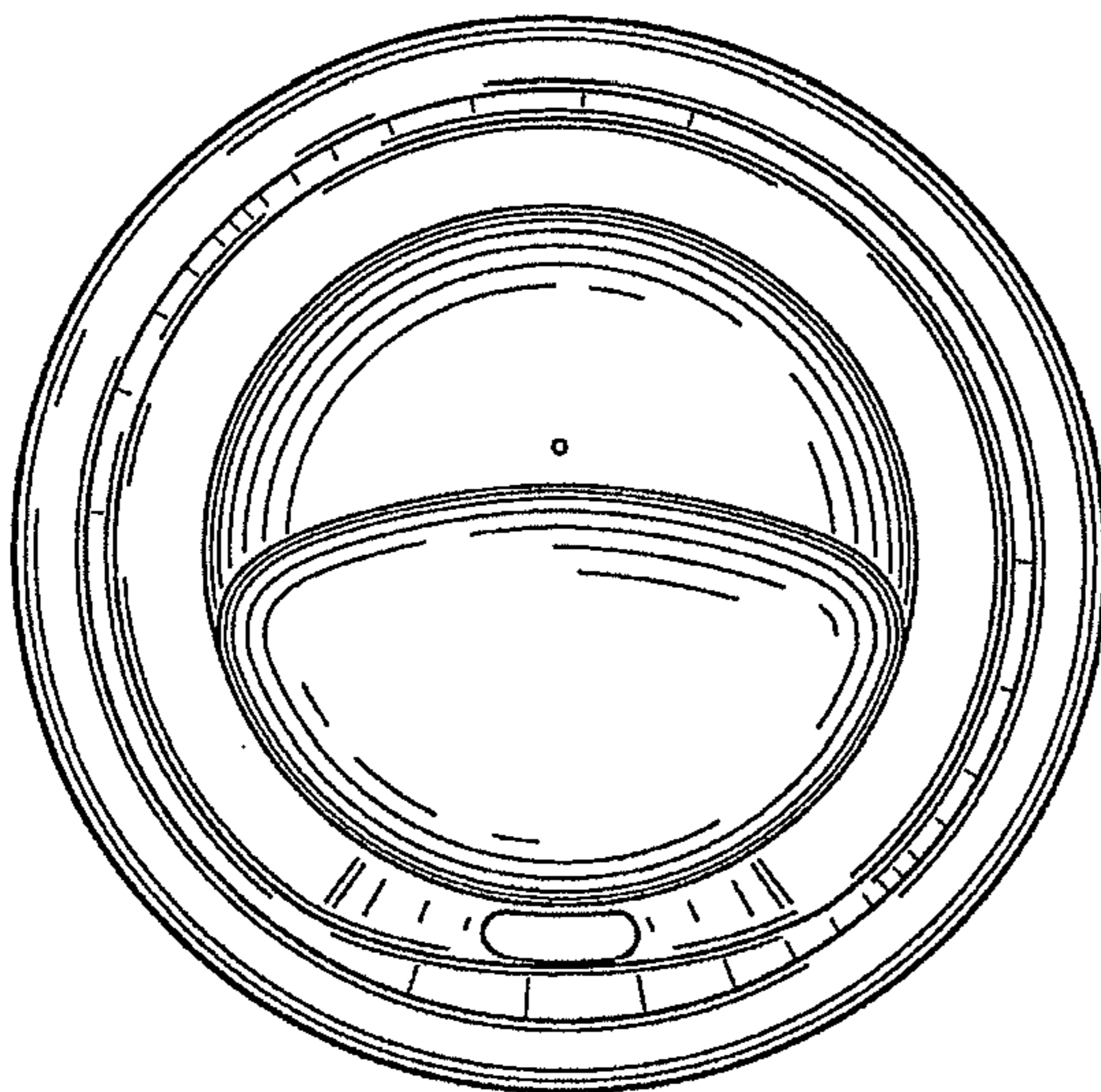


FIG. 5

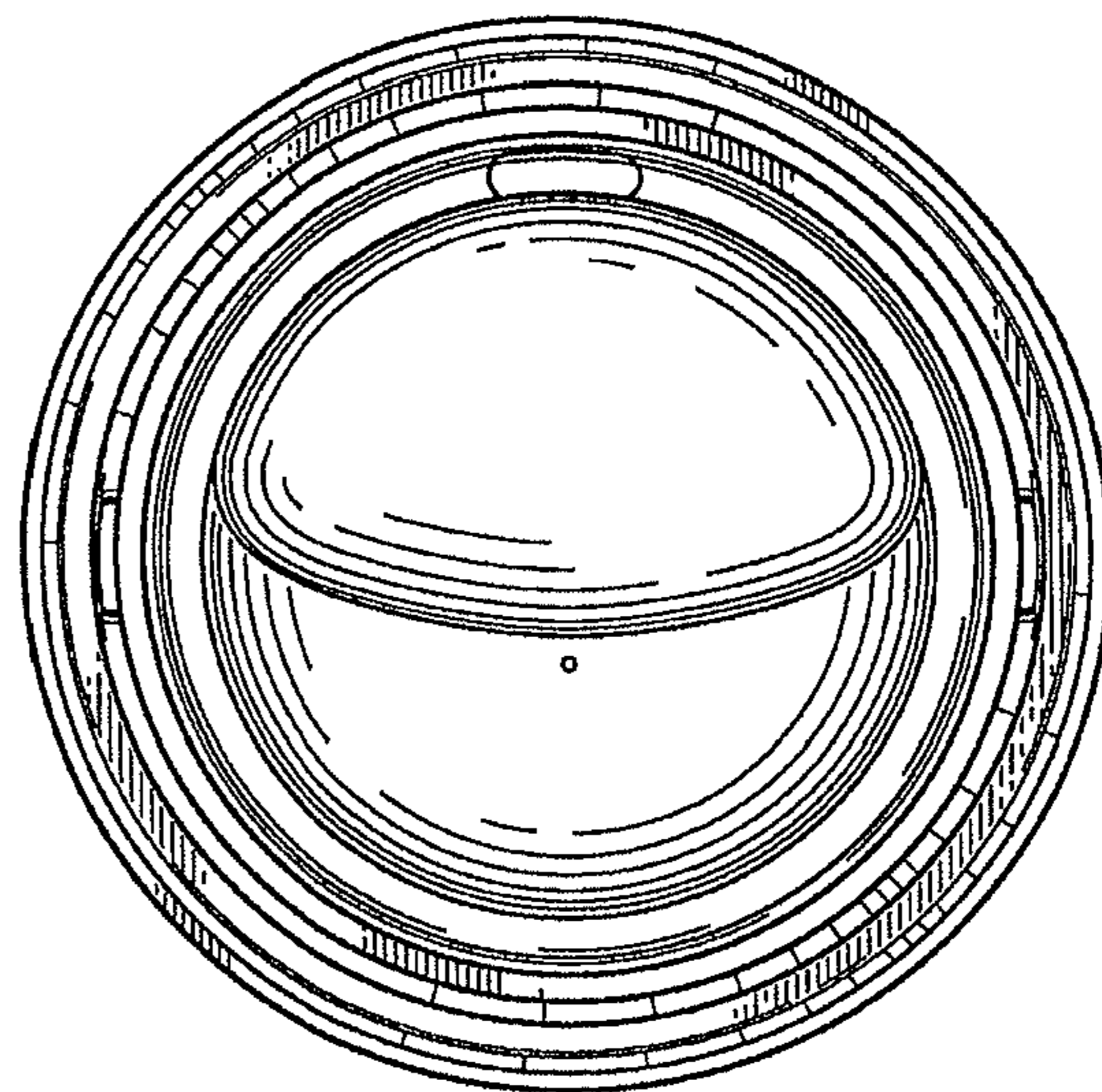


FIG. 6

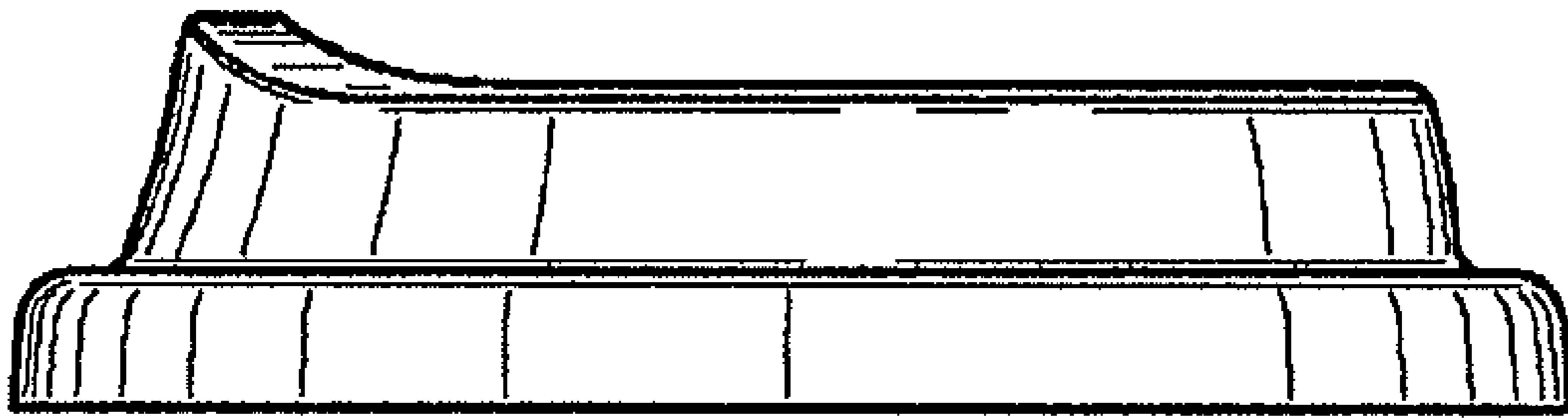


FIG. 7