



US00D675522S

(12) **United States Design Patent**
Kawamura et al.

(10) **Patent No.:** **US D675,522 S**
(45) **Date of Patent:** **** Feb. 5, 2013**

(54) **SEALING DEVICE FOR MEDICINE
CONTAINER OR MEDICAL APPARATUS**

FOREIGN PATENT DOCUMENTS

(75) Inventors: **Hideaki Kawamura**, Sumida-ku (JP);
Takashi Uemura, Hiroshima (JP)

JP 2009-137641 A 6/2009
JP 1370807 S 10/2009

* cited by examiner

(73) Assignee: **Daikyo Seiko, Ltd.**, Tokyo (JP)

Primary Examiner — Susan Bennett Hattan

Assistant Examiner — Barbara B Lohr

(**) Term: **14 Years**

(74) *Attorney, Agent, or Firm* — Chapman and Cutler LLP

(21) Appl. No.: **29/372,777**

(57) **CLAIM**

The ornamental design for a sealing device for medicine container or medical apparatus, as shown and described.

(22) Filed: **Jan. 11, 2011**

DESCRIPTION

(30) **Foreign Application Priority Data**

Jul. 13, 2010 (JP) 2010-017073

(51) **LOC (9) Cl.** **09-07**

(52) **U.S. Cl.** **D9/436**

(58) **Field of Classification Search** D9/436,
D9/445, 454; D8/387, 388, 392, 393; D24/224;
222/153.14; 411/382, 378, 387.1, 388, 402,
411/403, 405, 411, 481; 215/227

See application file for complete search history.

FIG. 1 is a front perspective view of a sealing device for medicine container or medical apparatus showing our new design;

FIG. 2 is a front perspective view thereof;

FIG. 3 is a front elevational view thereof;

FIG. 4 is a bottom plan view thereof;

FIG. 5 is a cross-sectional view thereof taken along line 5-5 in FIG. 3;

FIG. 6 is a cross-sectional view thereof taken along line 6-6 in FIG. 4;

FIG. 7 is a front perspective view showing the body portion of the device;

FIG. 8 is a perspective view showing the cap portion of the device; and,

FIG. 9 is an enlarged cross-sectional view thereof taken along line 6-6 in FIG. 4.

The broken lines are for the purpose of illustrating environmental structure, and form no part of the claimed design.

(56) **References Cited**

U.S. PATENT DOCUMENTS

D276,894 S * 12/1984 Whatley D9/436
4,852,770 A * 8/1989 Sledge et al. 222/153.14
D392,046 S * 3/1998 Niedospial, Jr. D24/224
D410,389 S * 6/1999 Niedospial, Jr. D9/454
D604,600 S * 11/2009 Lesesky D8/387
D616,090 S 5/2010 Kawamura
D622,582 S * 8/2010 Lottner et al. D8/387
2009/0145876 A1 6/2009 Kawamura et al.

1 Claim, 6 Drawing Sheets

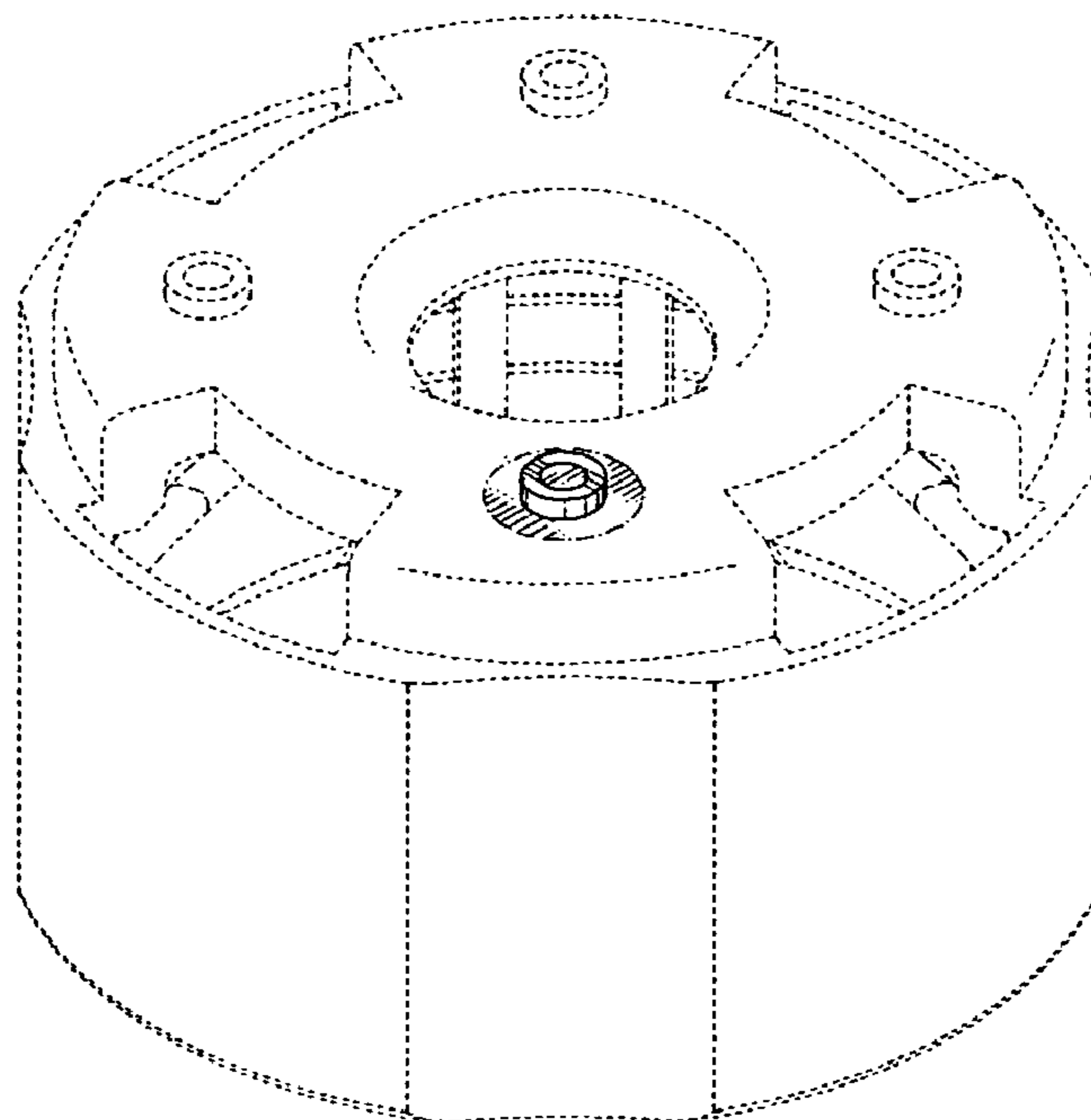


FIG. 1

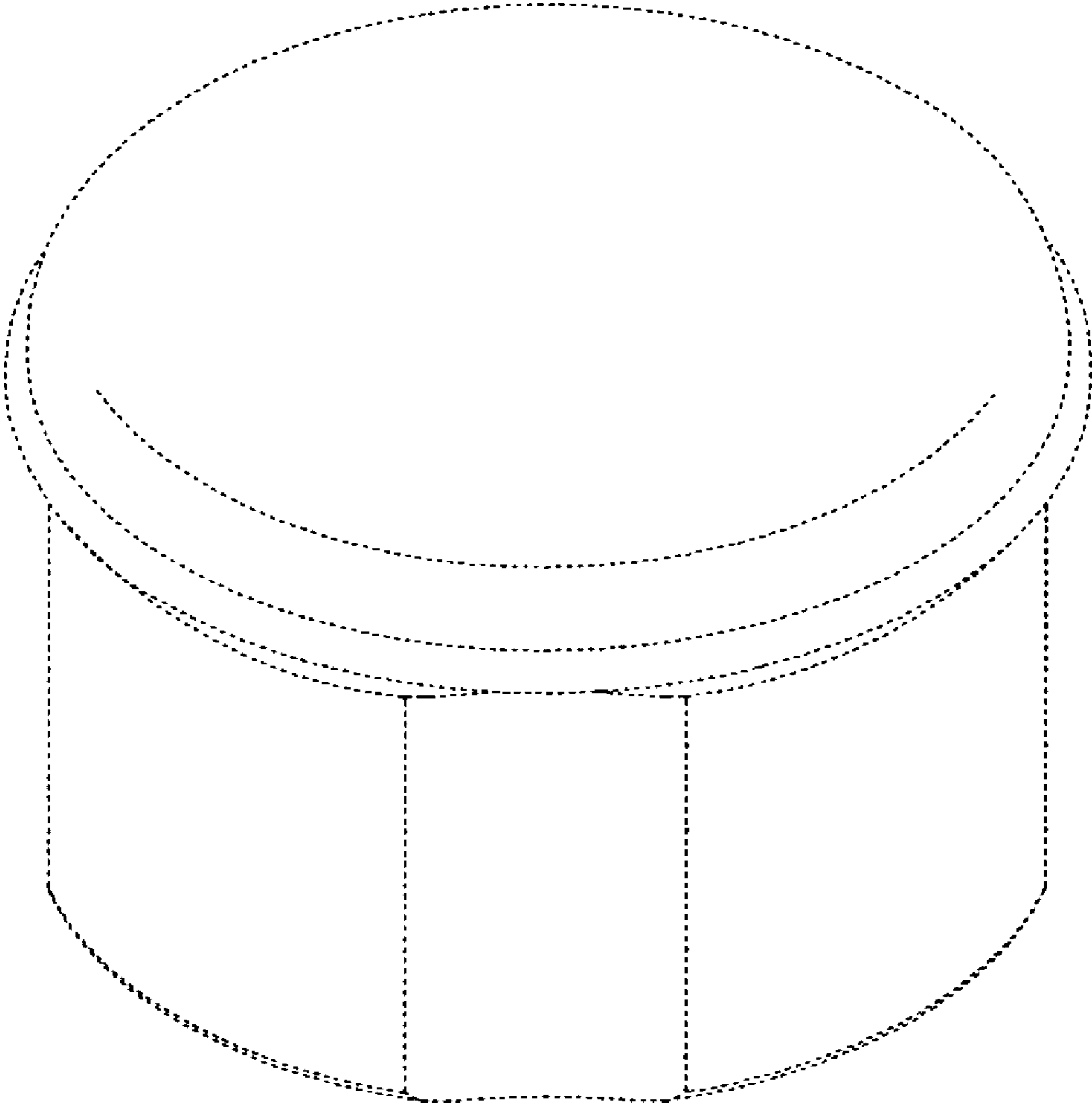
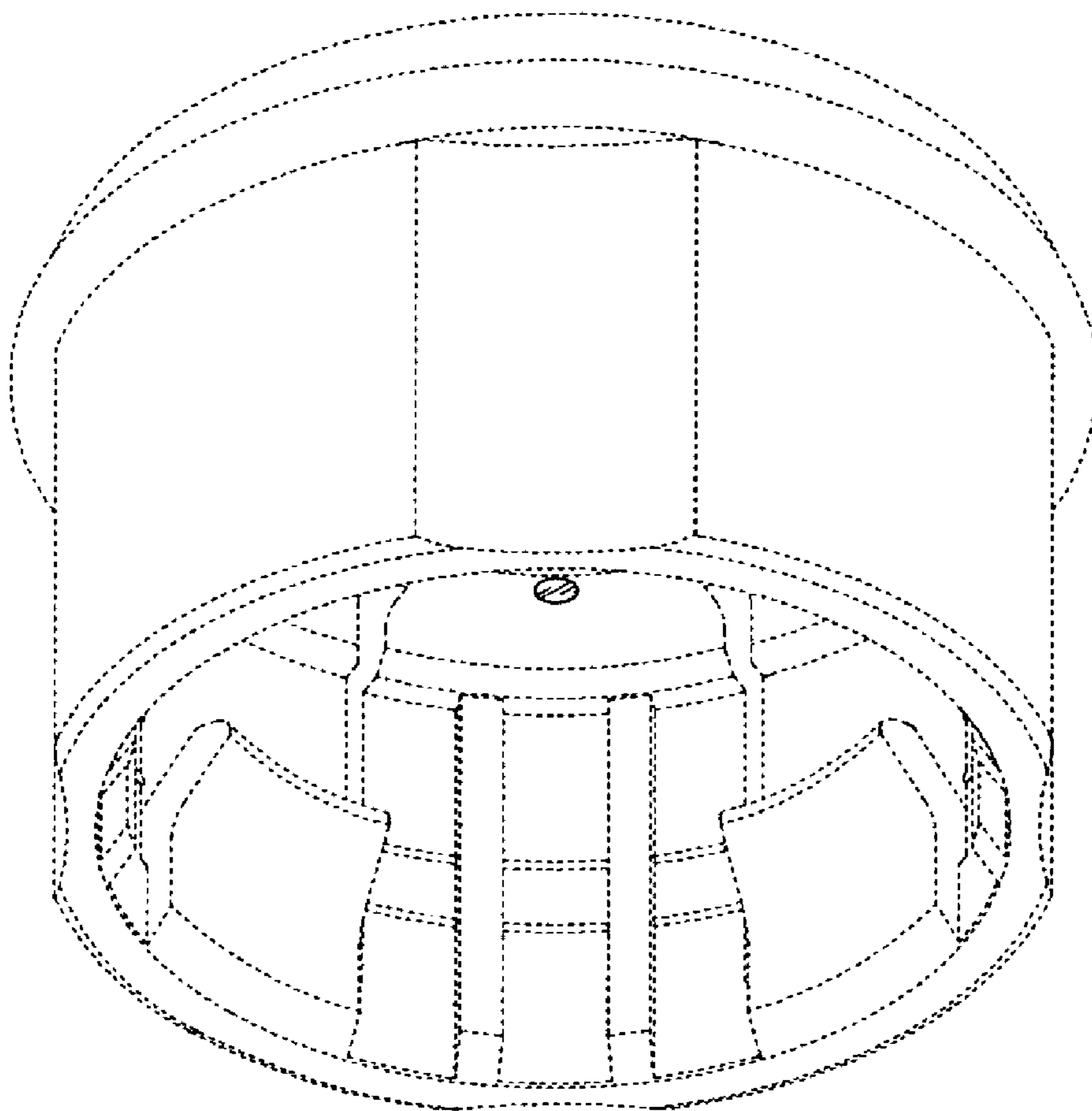
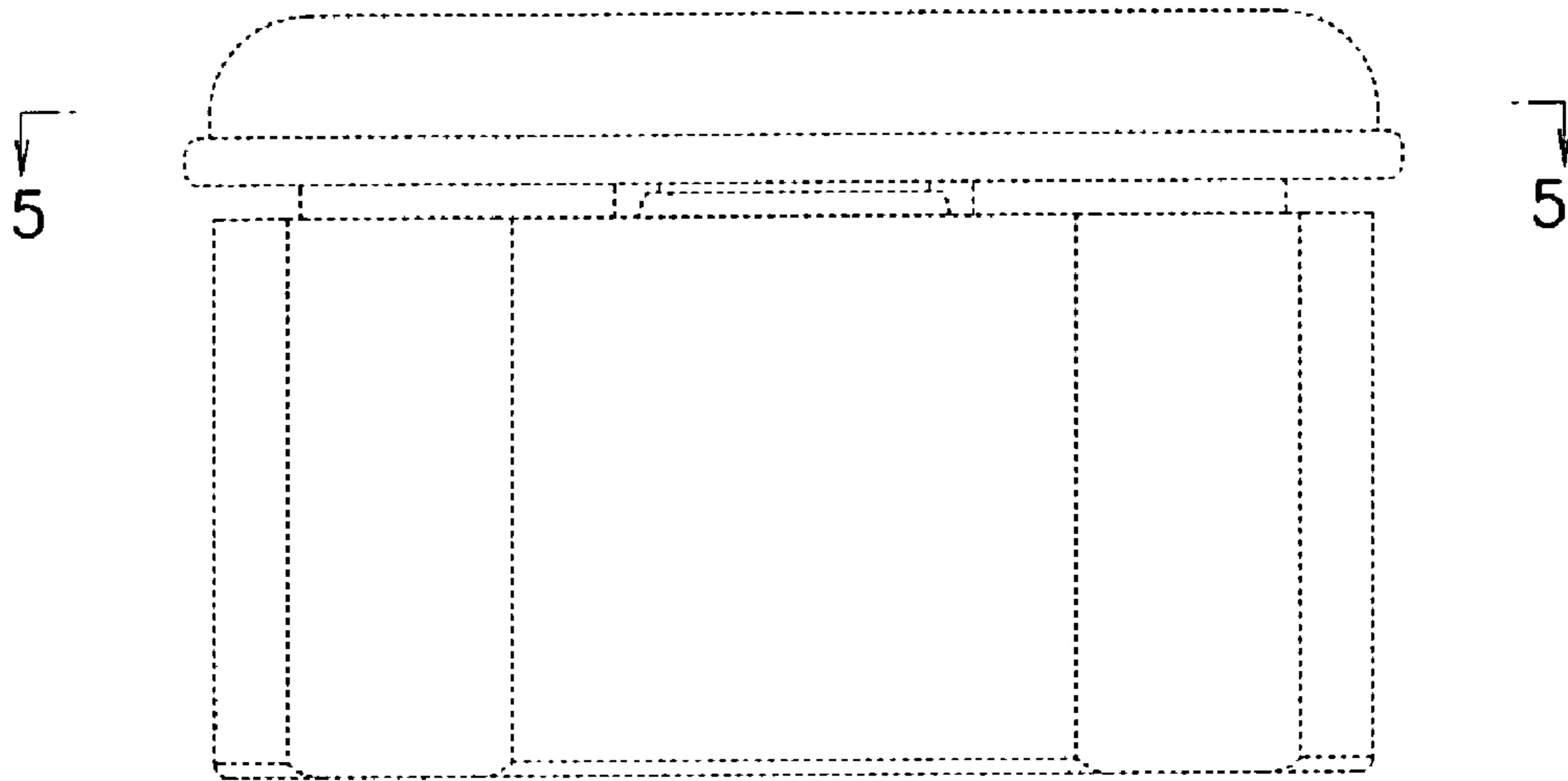


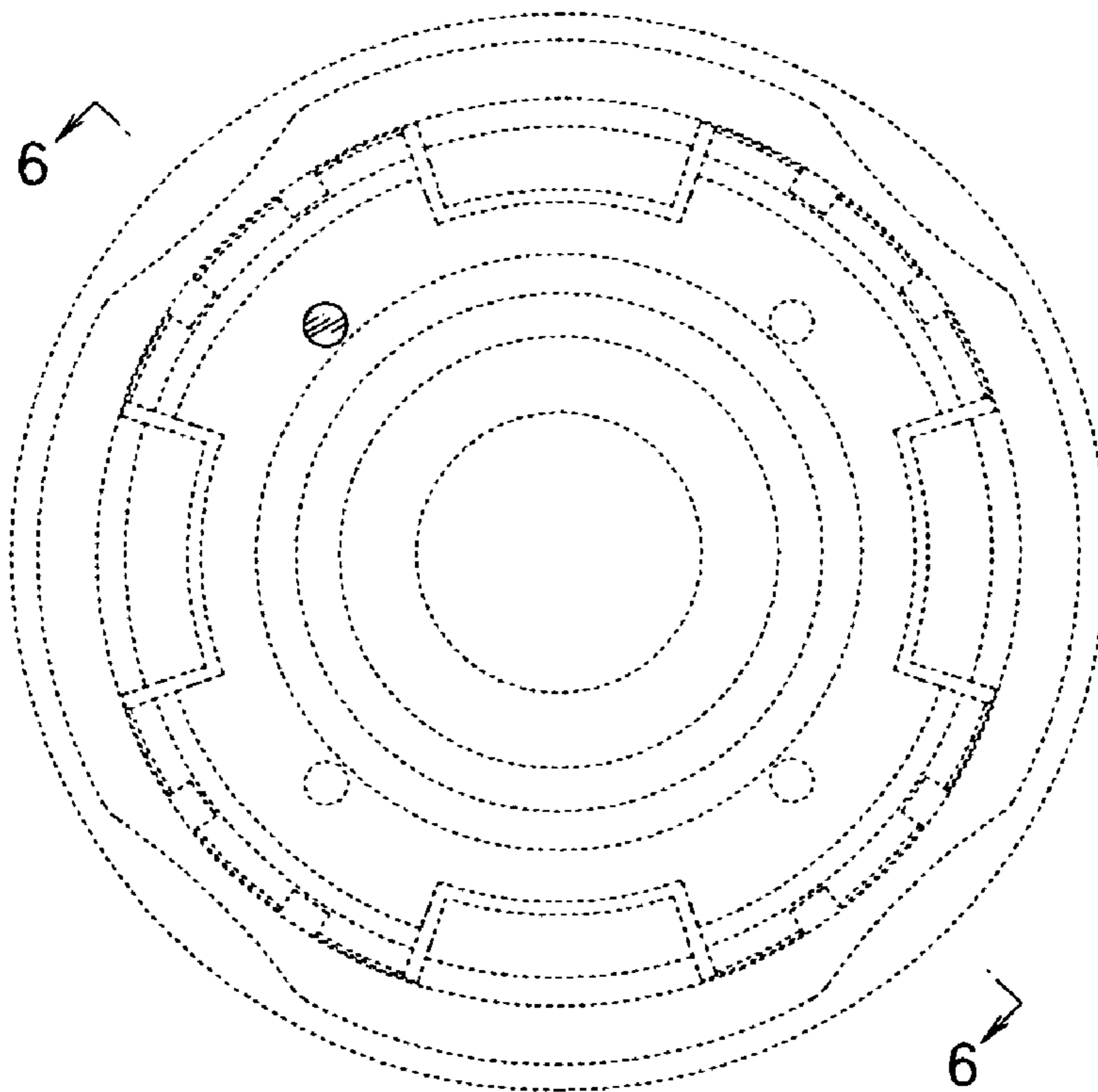
FIG. 2



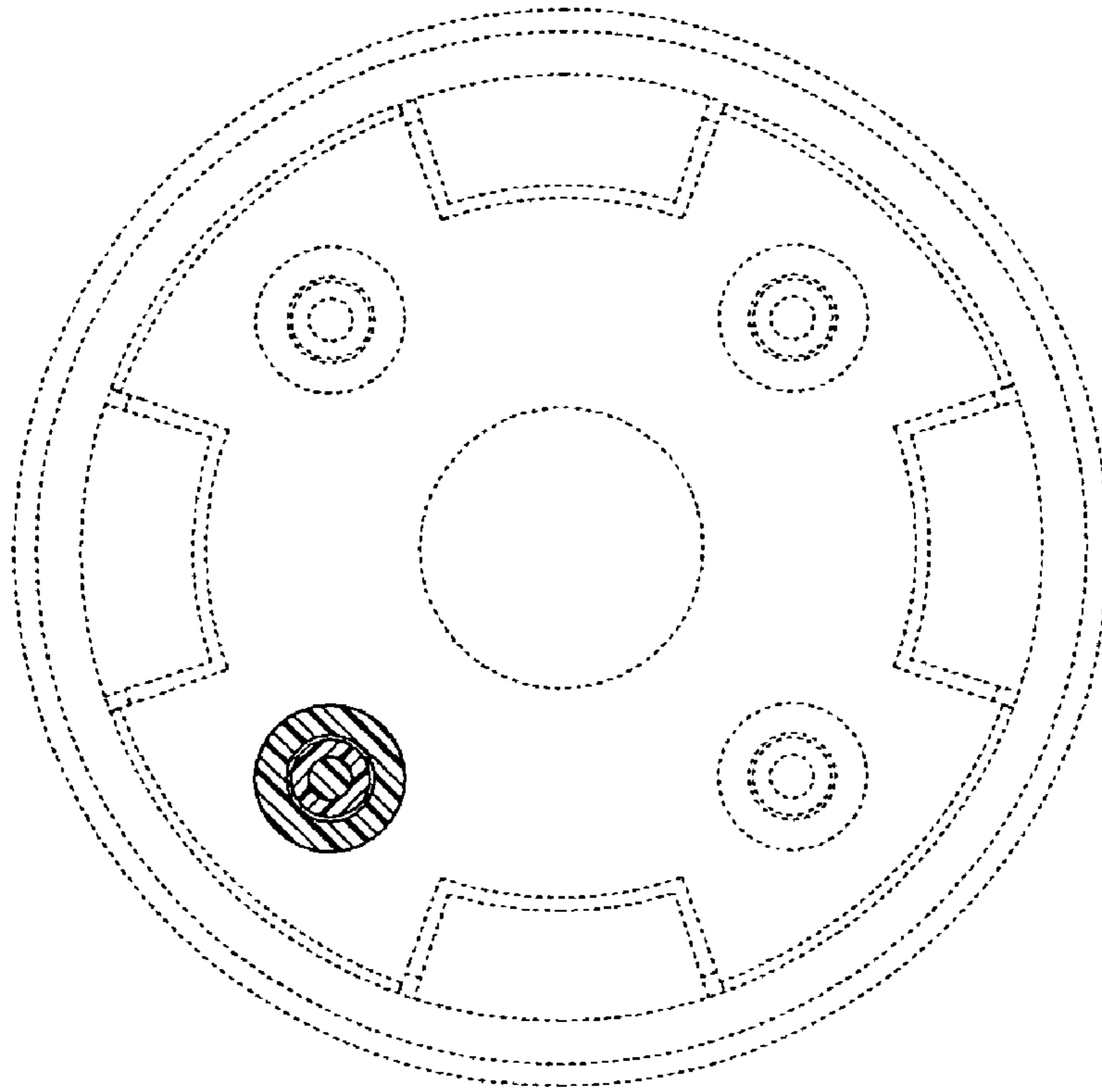
F I G. 3



F I G. 4



F I G. 5



F I G. 6

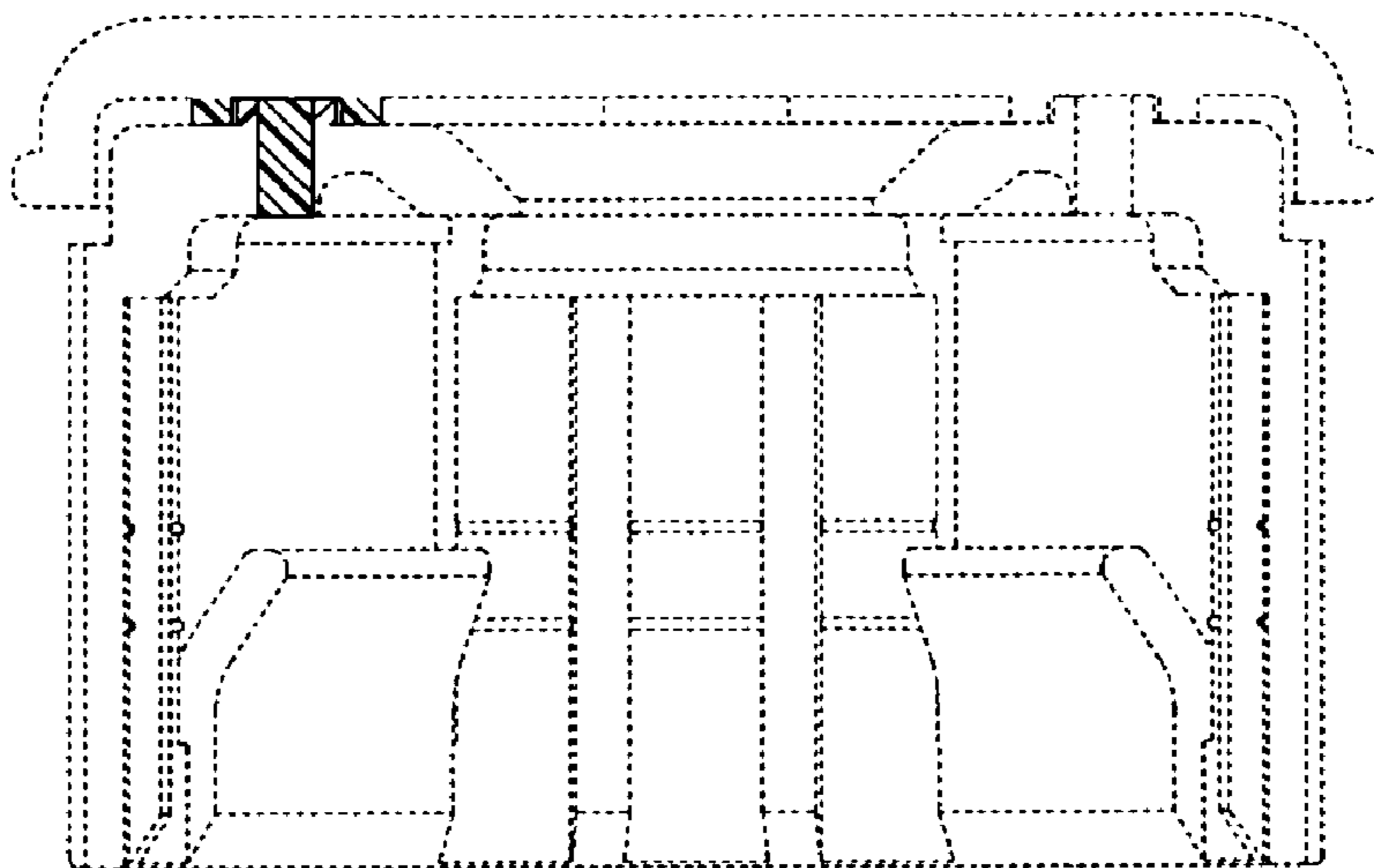


FIG. 7

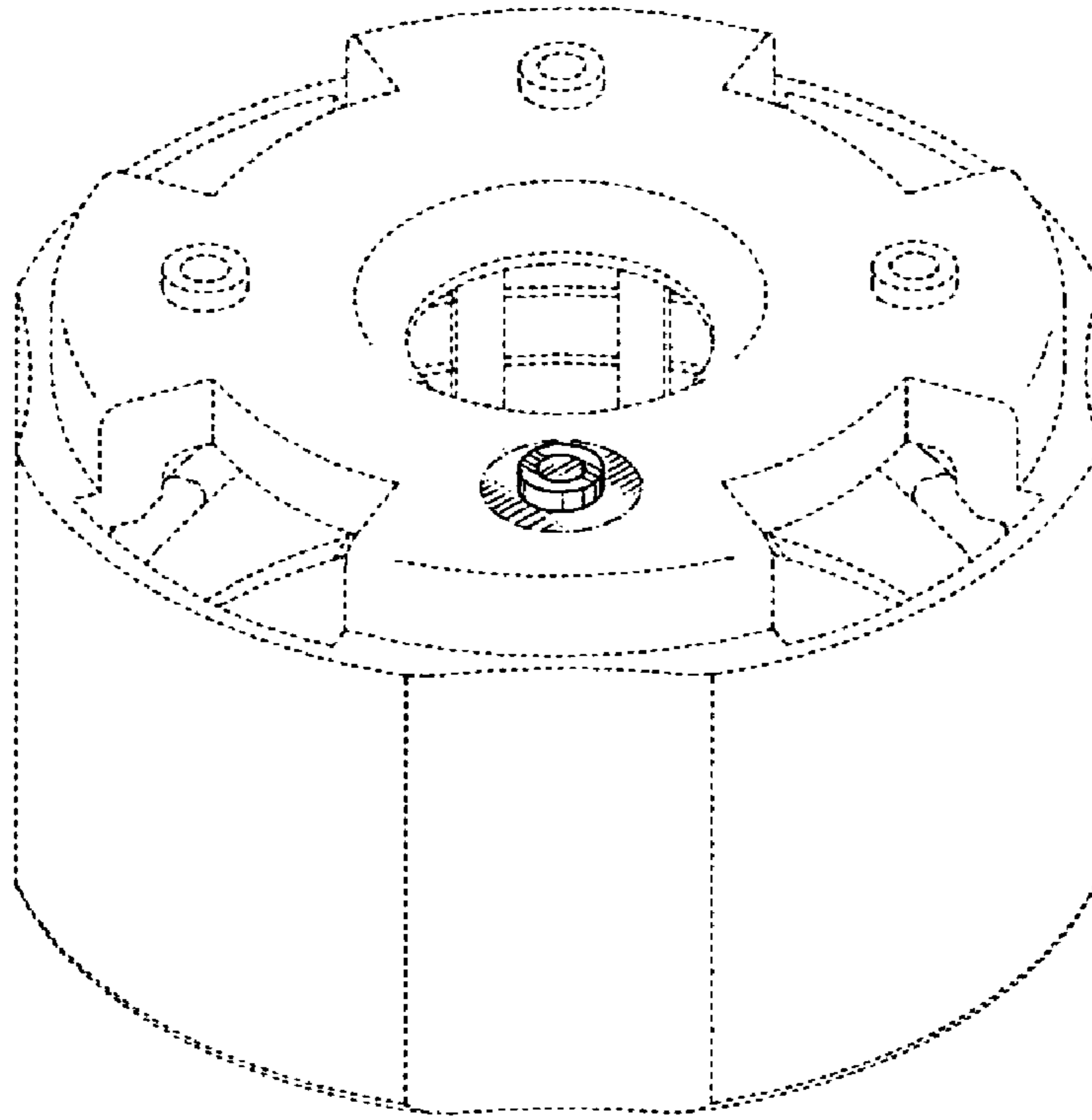


FIG. 8

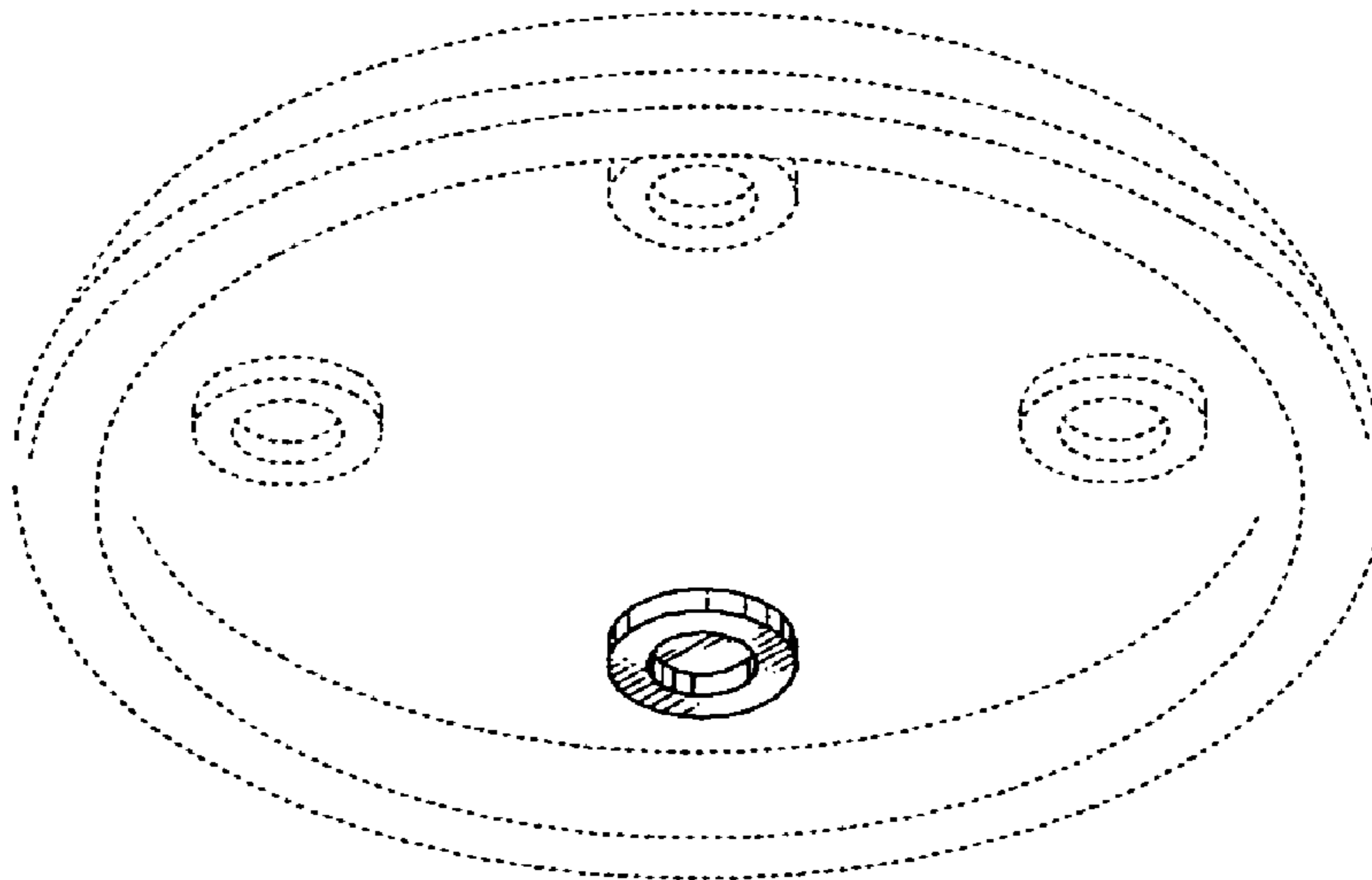


FIG. 9

