



US00D675521S

(12) **United States Design Patent**
Gregory et al.

(10) **Patent No.:** **US D675,521 S**

(45) **Date of Patent:** **** Feb. 5, 2013**

(54) **PACKAGING WITH SURFACE ORNAMENTATION**

D660,145 S * 5/2012 Tekulve et al. D9/432

* cited by examiner

(75) Inventors: **Richard F. Gregory**, Union, KY (US);
Richard W. Moore, Union, KY (US);
John P. Jones, Cincinnati, OH (US);
Xiaoming Gu, Nanjing (CN); **Robert E. Shaw**, Union, KY (US); **Steven B. Hamilton**, Wyoming, OH (US)

Primary Examiner — Susan Bennett Hattan
Assistant Examiner — Barbara B Lohr
(74) *Attorney, Agent, or Firm* — Dority & Manning, P.A.

(57) **CLAIM**

The ornamental design for packaging with surface ornamentation, as shown and described.

DESCRIPTION

(73) Assignee: **Ticona LLC**, Florence, KY (US)

(**) Term: **14 Years**

FIG. 1 is a front, left perspective view of a packaging with surface ornamentation embodying our new design;

(21) Appl. No.: **29/401,255**

FIG. 2 is front, right perspective view of the packaging shown in FIG. 1;

(22) Filed: **Sep. 9, 2011**

FIG. 3 is a front view of the packaging shown in FIG. 1;

(51) **LOC (9) Cl.** **09-07**

FIG. 4 is a rear view of the packaging shown in FIG. 1;

(52) **U.S. Cl.** **D9/434**

FIG. 5 is a left side view of the packaging shown in FIG. 1;

(58) **Field of Classification Search** D9/432,
D9/434, 516, 600, 667; D3/270, 271.1; 206/457,
206/527; 220/890

FIG. 6 is a right side view of the packaging shown in FIG. 1;

FIG. 7 is a bottom view of the packaging shown in FIG. 1;

FIG. 8 is a top view of the packaging shown in FIG. 1; and,

FIG. 9 is a perspective view of the packaging of FIG. 1 in an unfolded state.

See application file for complete search history.

In FIGS. 1-9, the stippling represents no particular color or colors.

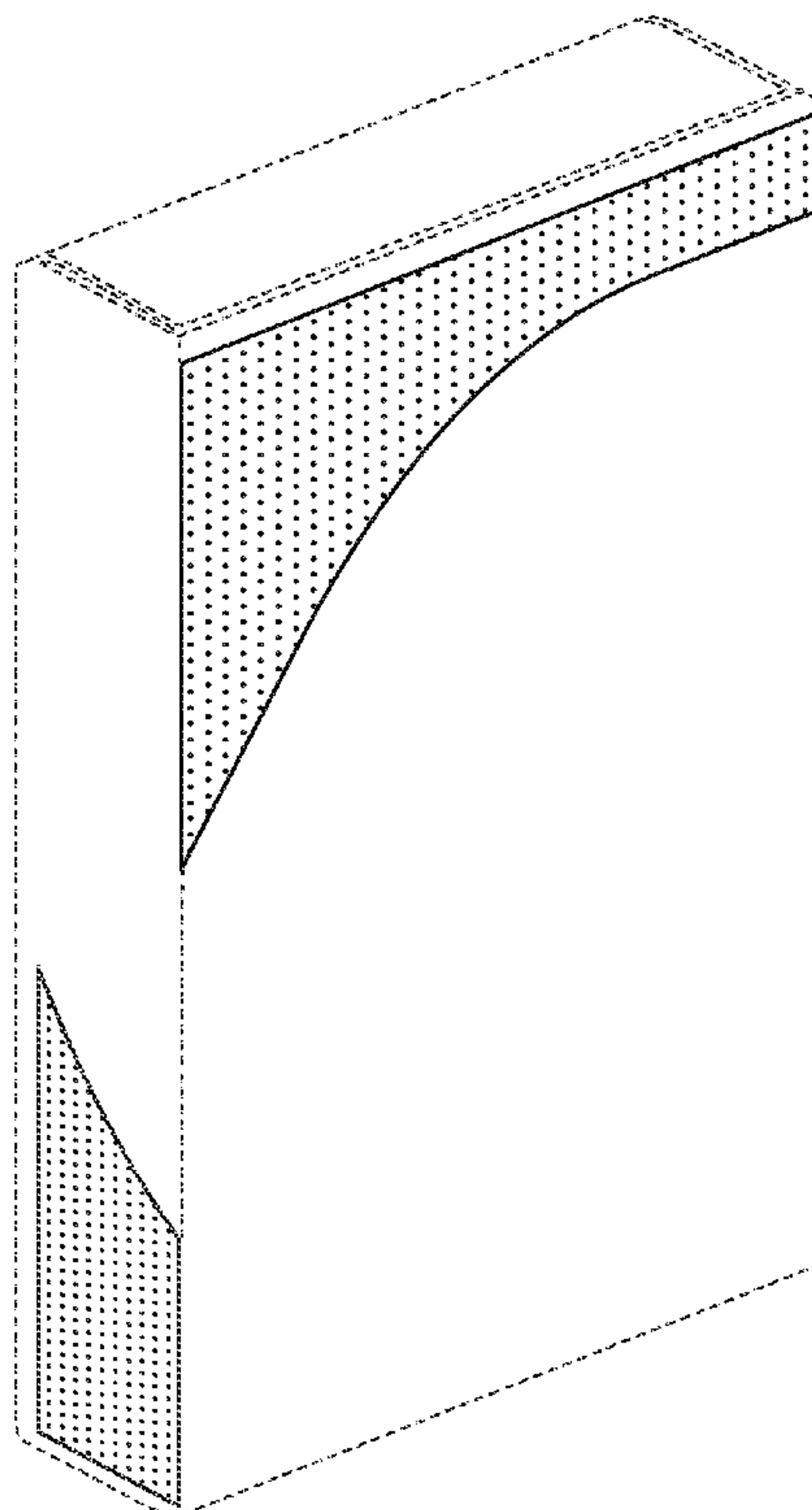
(56) **References Cited**

U.S. PATENT DOCUMENTS

D656,396 S * 3/2012 Palmieri et al. D9/434
D656,826 S * 4/2012 Bohache et al. D9/516
D659,012 S * 5/2012 Subler D9/658

The broken lines in the drawings represent unclaimed environmental subject matter illustrating the design in use and form no part of the claim.

1 Claim, 8 Drawing Sheets



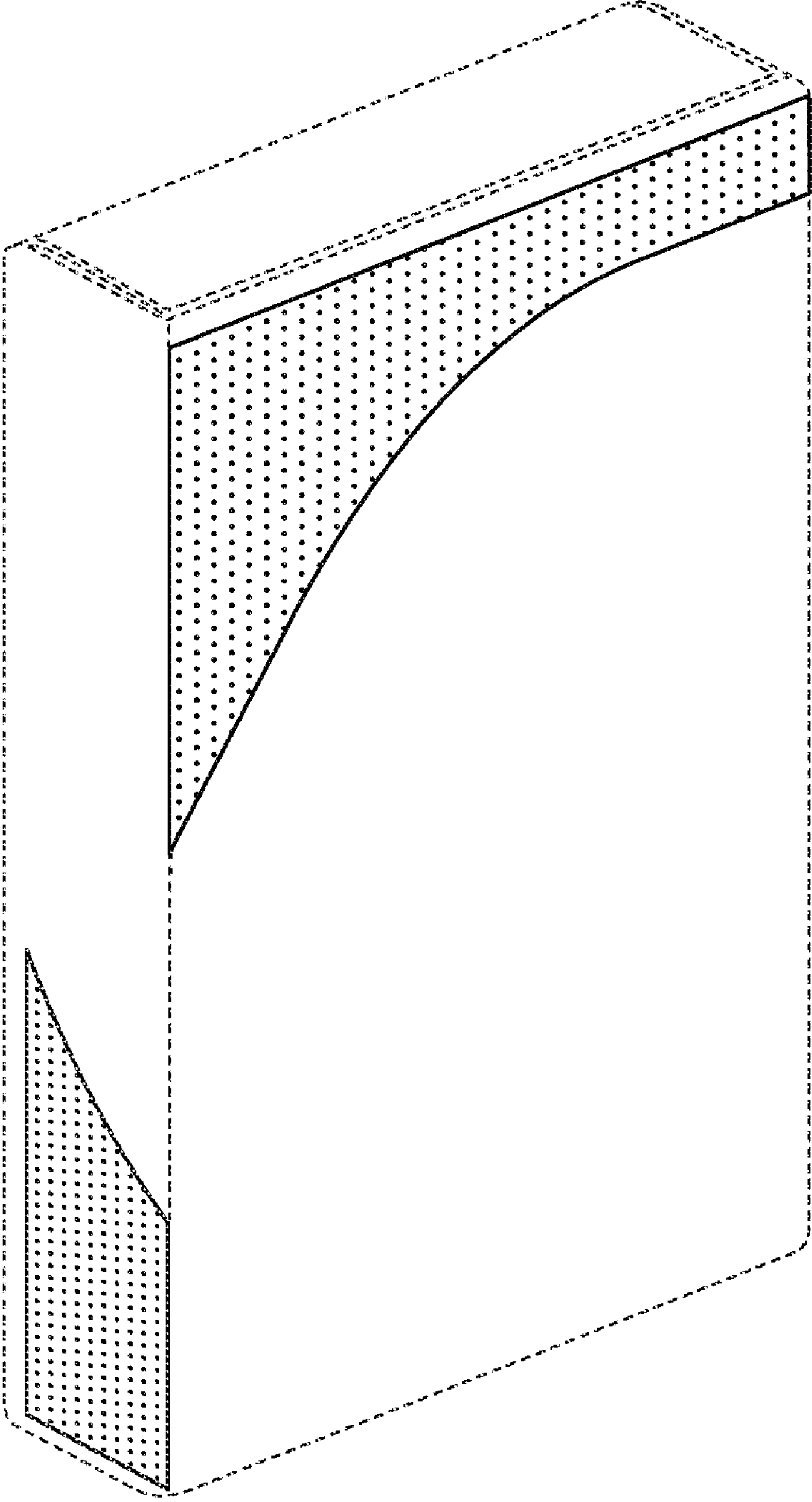


FIG. 1

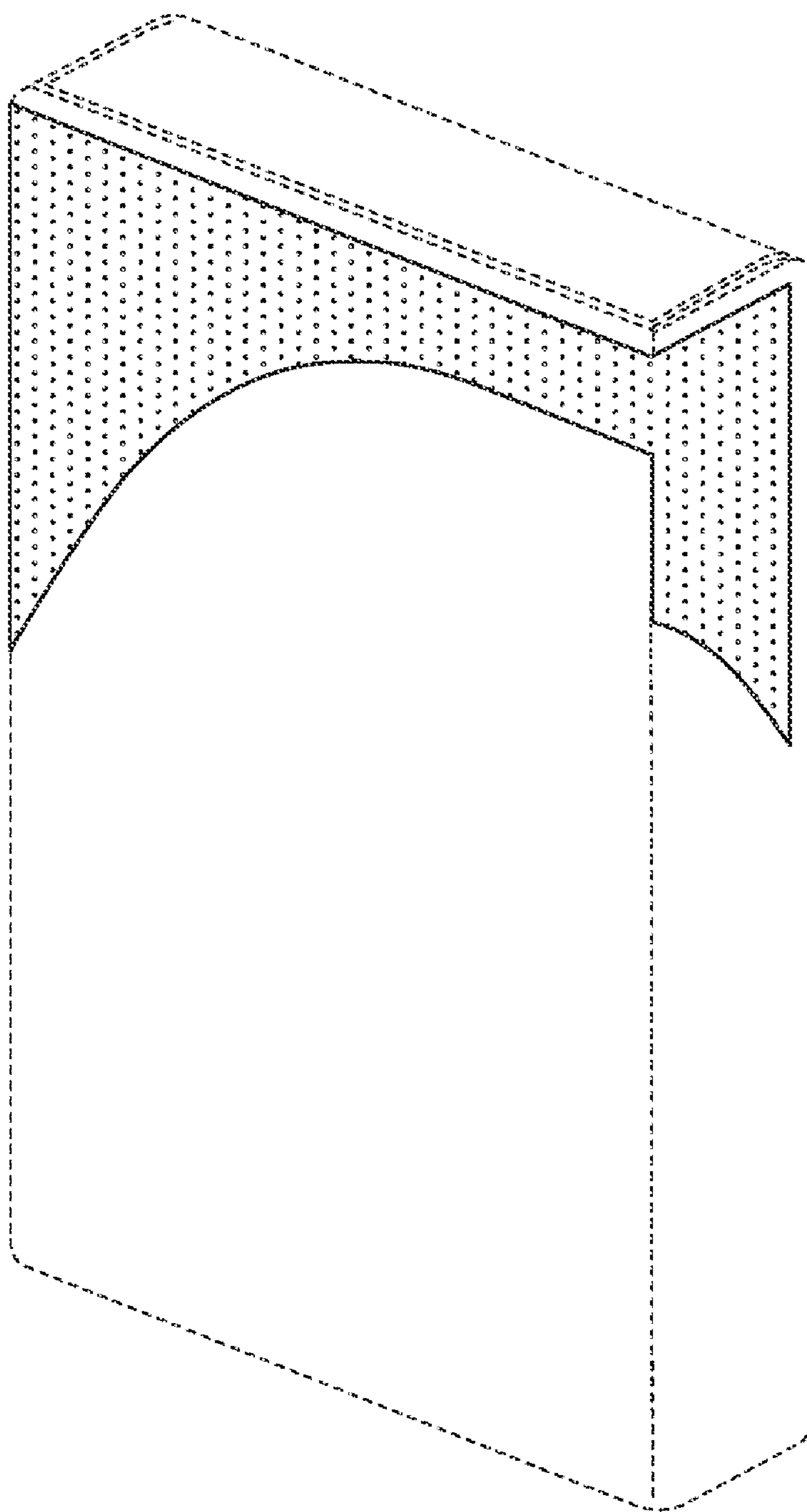


FIG. 2

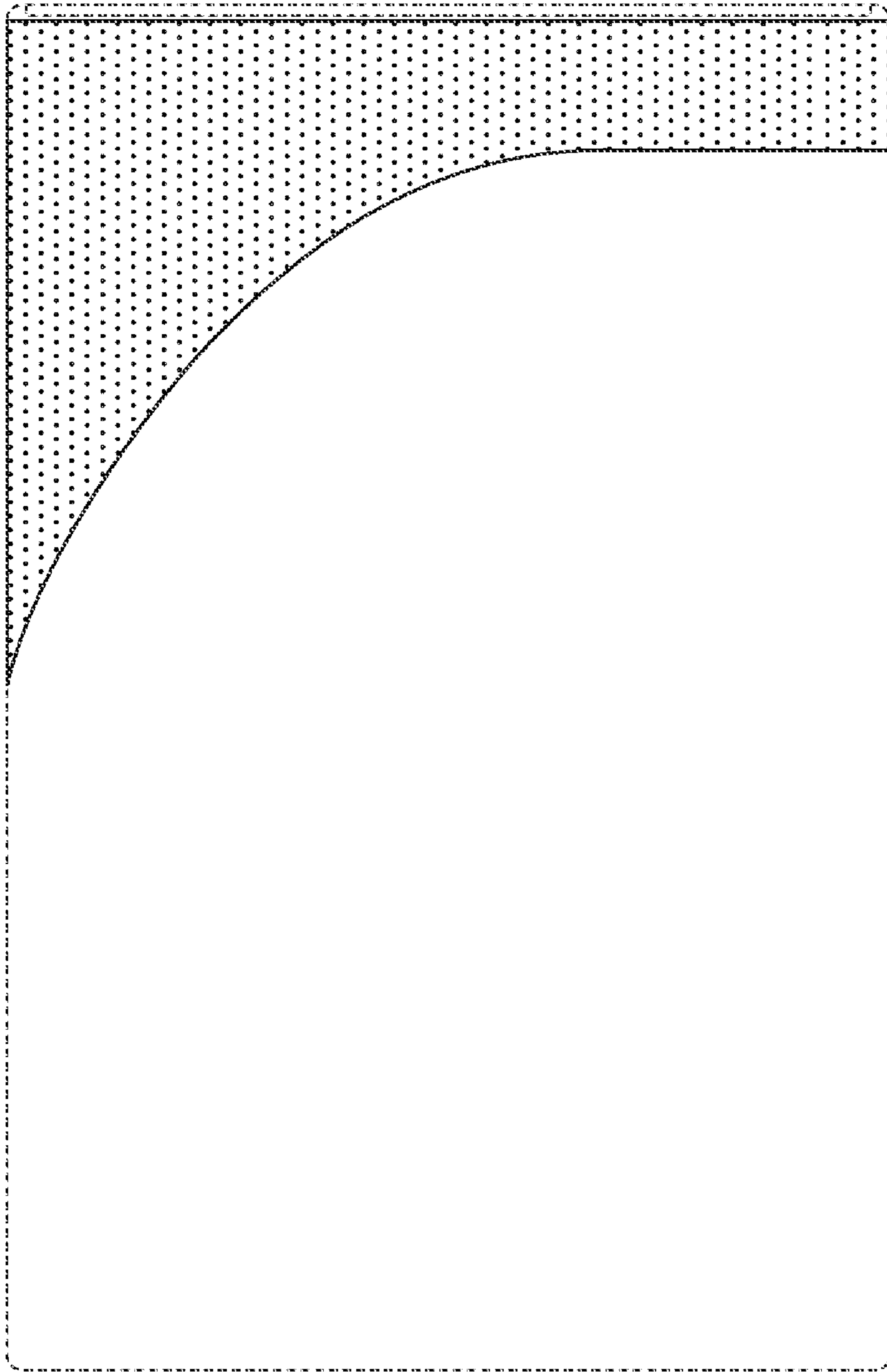


FIG. 3

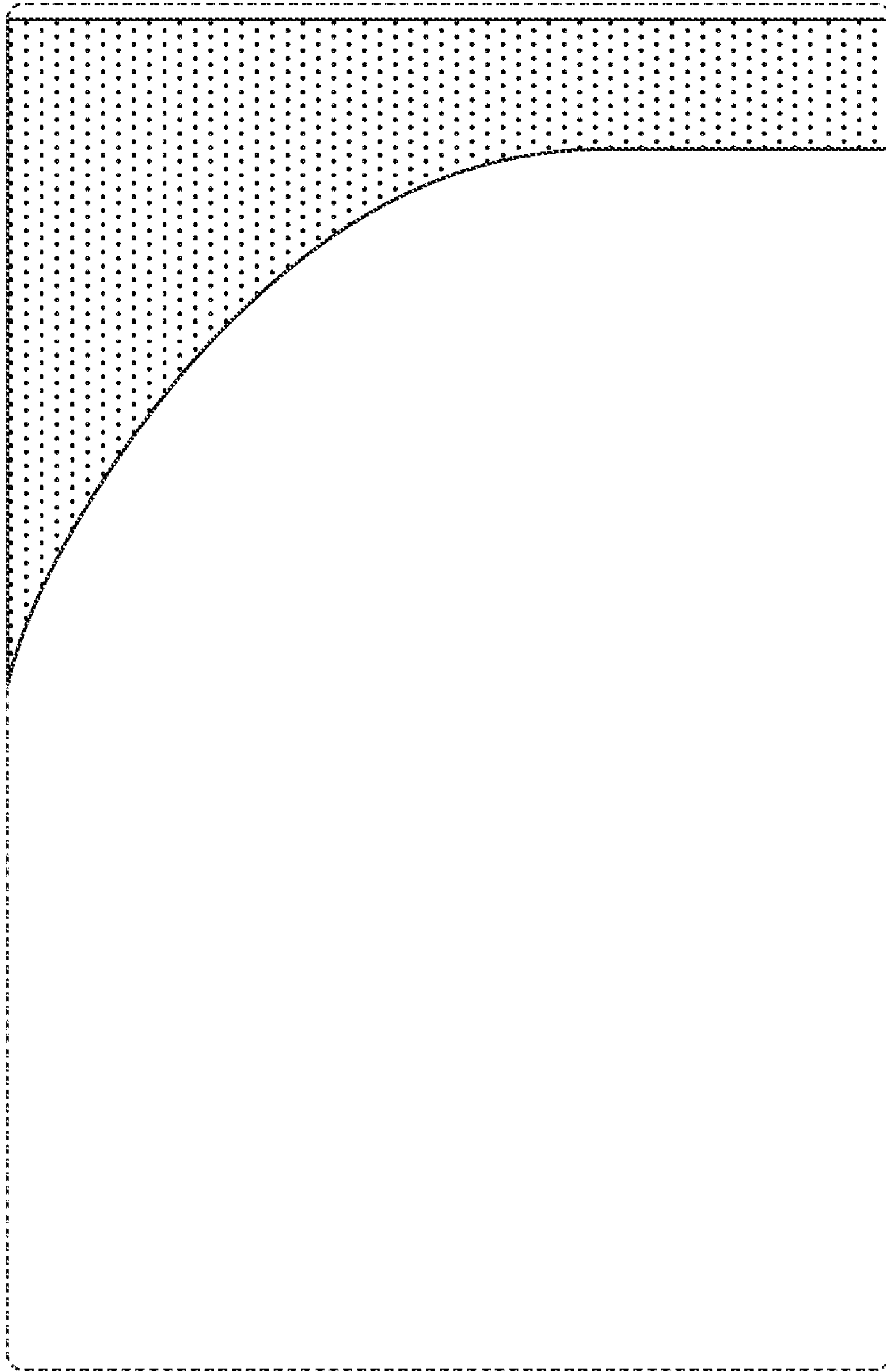


FIG. 4

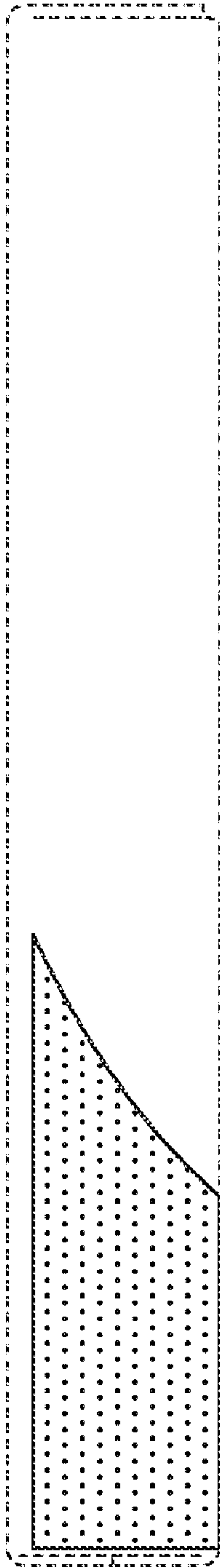


FIG. 5

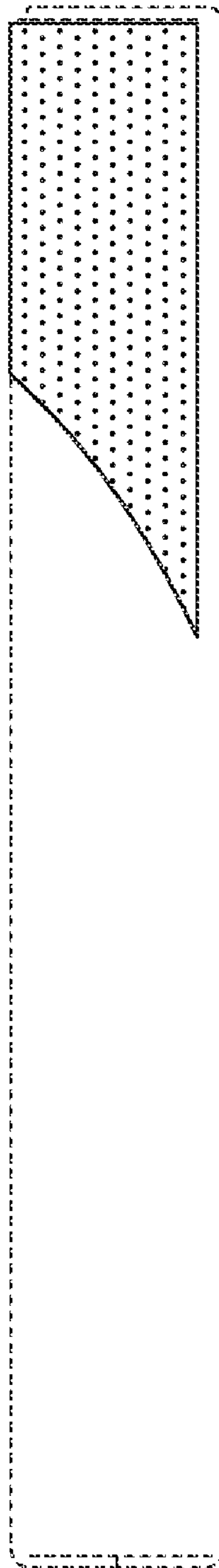


FIG. 6



FIG. 7

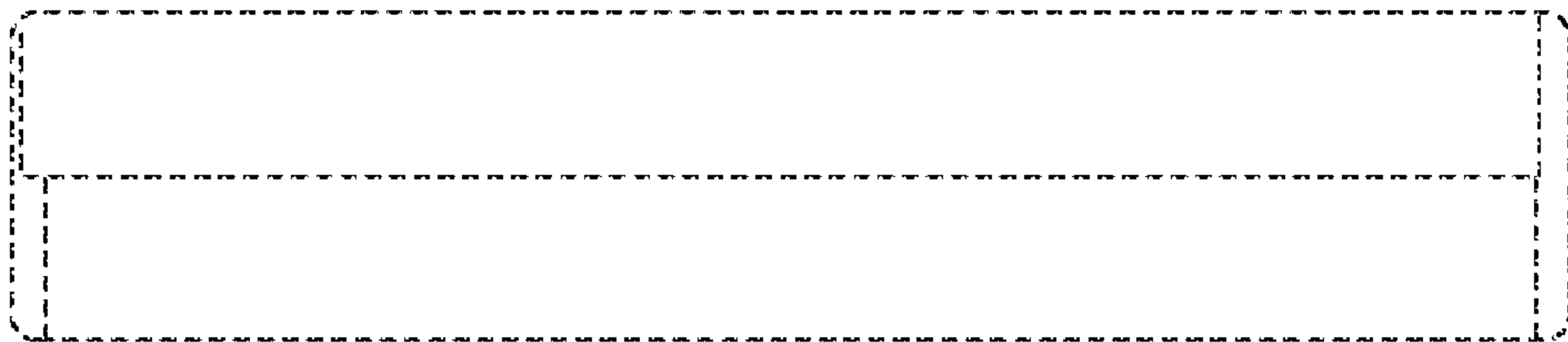


FIG. 8

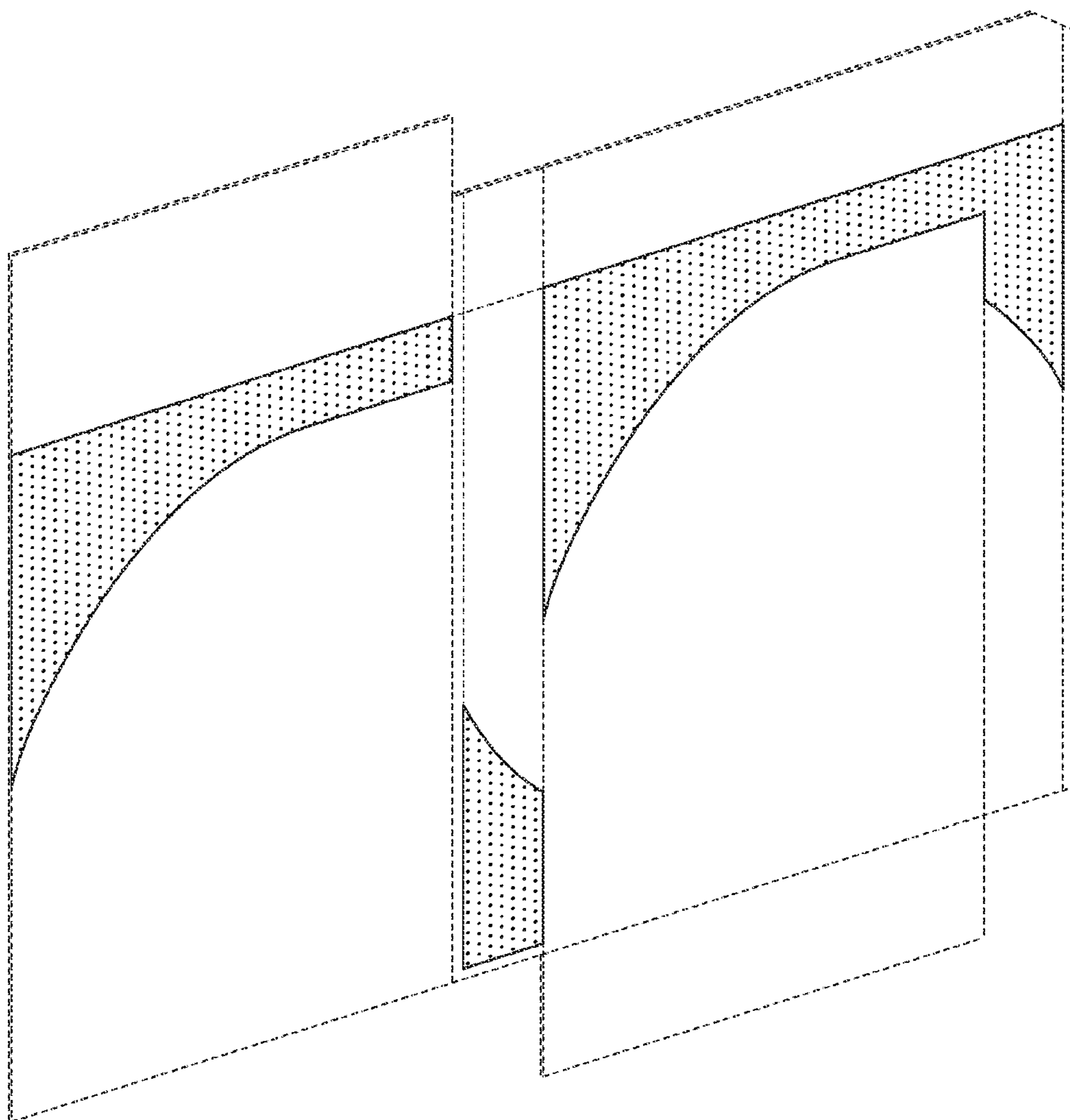


FIG. 9