



US00D675520S

(12) **United States Design Patent**  
**Sill**

(10) **Patent No.:** **US D675,520 S**

(45) **Date of Patent:** **\*\* Feb. 5, 2013**

(54) **CLOSEABLE CARTON**

(75) Inventor: **Jonathan D. Sill**, Powell, OH (US)

(73) Assignee: **Inno-Pak, LLC**, Delaware, OH (US)

(\*\*) Term: **14 Years**

(21) Appl. No.: **29/416,276**

(22) Filed: **Mar. 20, 2012**

(51) **LOC (9) Cl.** ..... **09-03**

(52) **U.S. Cl.** ..... **D9/431**

(58) **Field of Classification Search** ..... D9/414,  
D9/416, 418, 420-424, 430-433; D3/272;  
206/267, 269, 270, 273, 299, 421, 454, 457,  
206/737, 740, 822, 775-778, 784; 229/100,  
229/101, 101.3, 106, 108-122, 117.05-117.09,  
229/117.24, 117.26, 221, 222, 227, 902,  
229/939, 941, 942

See application file for complete search history.

(56) **References Cited**

U.S. PATENT DOCUMENTS

1,474,879	A *	11/1923	Ayres	.....	383/6
1,991,165	A *	2/1935	Lockett	.....	206/499
2,644,633	A *	7/1953	Stopper	.....	229/110
D191,145	S *	8/1961	Cesareo	.....	D9/418
3,019,960	A *	2/1962	Vaughan-Parks	.....	229/117.22
3,346,399	A *	10/1967	Watson et al.	.....	426/111
3,547,339	A *	12/1970	Bruce	.....	229/117.15
4,002,288	A *	1/1977	Klupt	.....	229/112
4,105,155	A *	8/1978	Forbes, Jr.	.....	229/120
4,375,846	A *	3/1983	Nauheimer	.....	200/195
D292,487	S *	10/1987	Kea	.....	D9/432
D385,187	S *	10/1997	Loft	.....	D9/433
D418,751	S *	1/2000	Wolf	.....	D9/432

D502,646	S *	3/2005	Postulka	.....	D9/430
D516,421	S *	3/2006	Gironi et al.	.....	D9/431
D622,139	S *	8/2010	Marcott et al.	.....	D9/418
D651,076	S *	12/2011	Van Berlo	.....	D9/433
D664,429	S *	7/2012	Arrigo	.....	D9/433

\* cited by examiner

*Primary Examiner* — Robert M Spear

*Assistant Examiner* — Vy Koenig

(74) *Attorney, Agent, or Firm* — Ward and Smith, P.A.

(57) **CLAIM**

The ornamental design for a closeable carton, as shown and described.

**DESCRIPTION**

FIG. 1 is a perspective view of a closeable carton showing a new design;

FIG. 2 is a left side elevation view thereof, the right side being a mirror image;

FIG. 3 is a front elevation view thereof, the rear being a mirror image;

FIG. 4 is a top plan view thereof;

FIG. 5 is a bottom plan view thereof;

FIG. 6 is a cross-sectional view thereof taken on line 6-6 of FIG. 4;

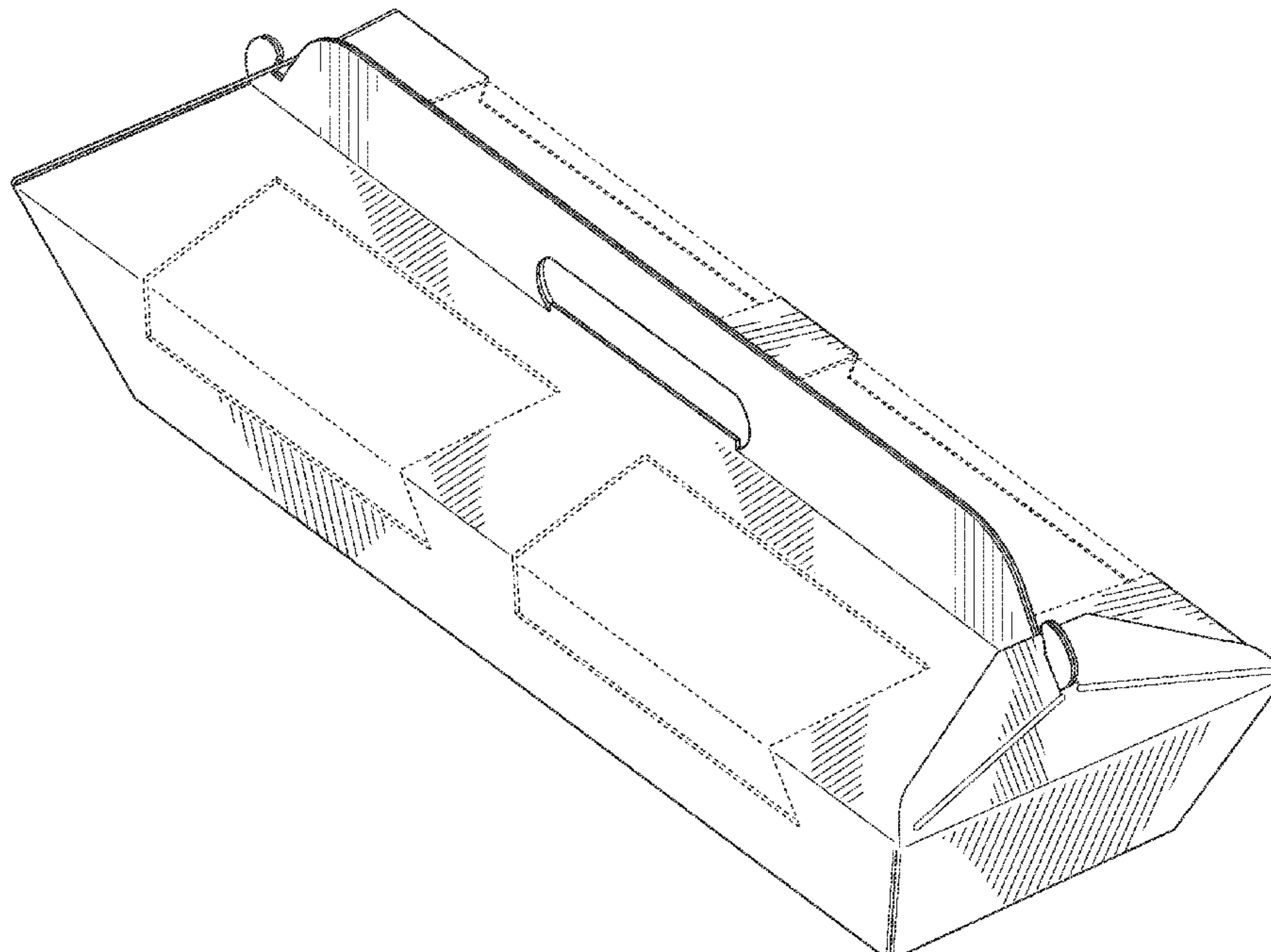
FIG. 7 is a cross-sectional view thereof taken on line 7-7 of FIG. 4;

FIG. 8 is another perspective view thereof, showing the closeable carton in an alternate open configuration; and,

FIG. 9 is another top plan view thereof, showing the closeable carton in an alternate blank configuration.

The dashed lines shown in the drawings are for environmental purposes only and form no part of the claimed design.

**1 Claim, 9 Drawing Sheets**



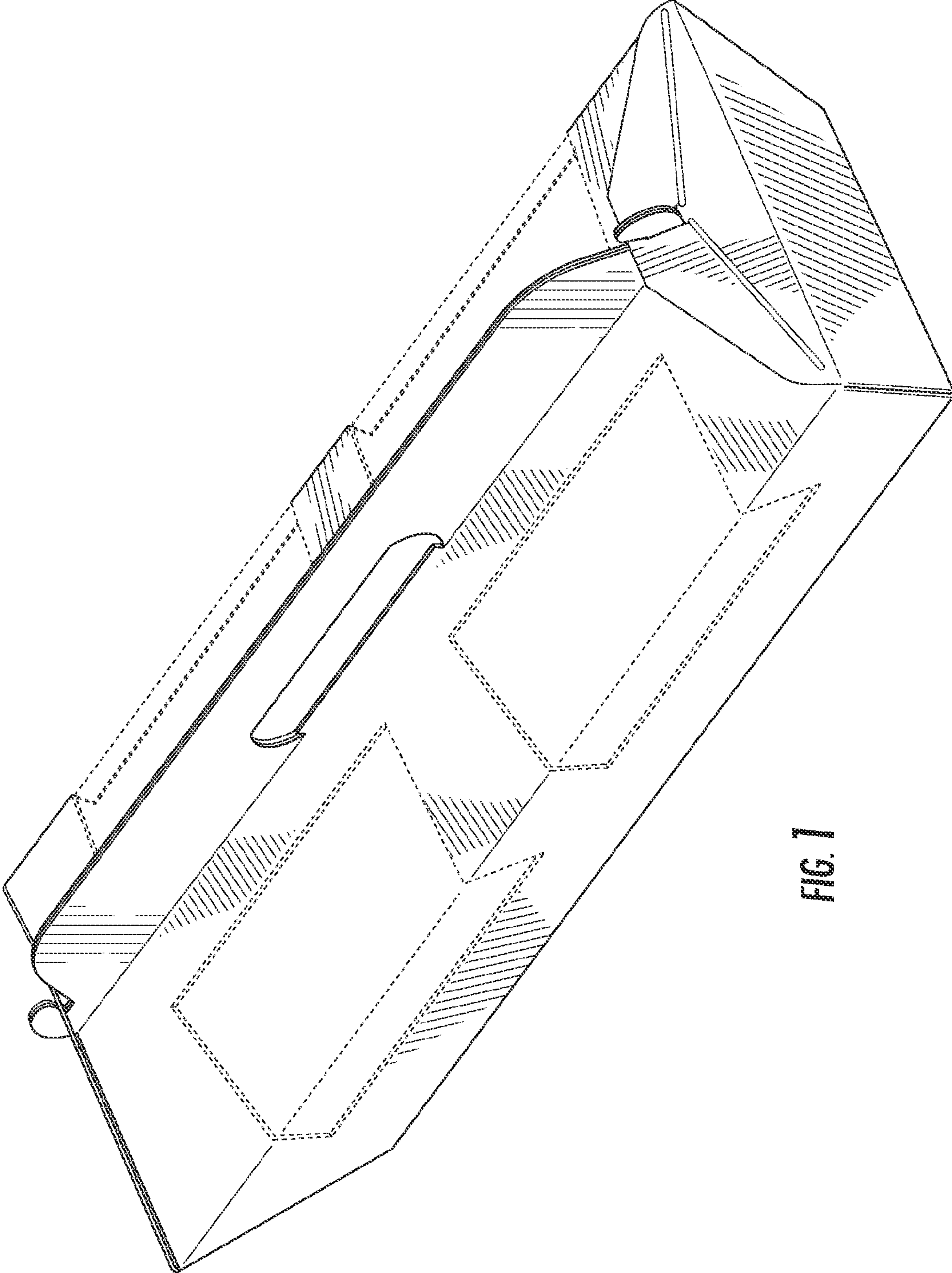
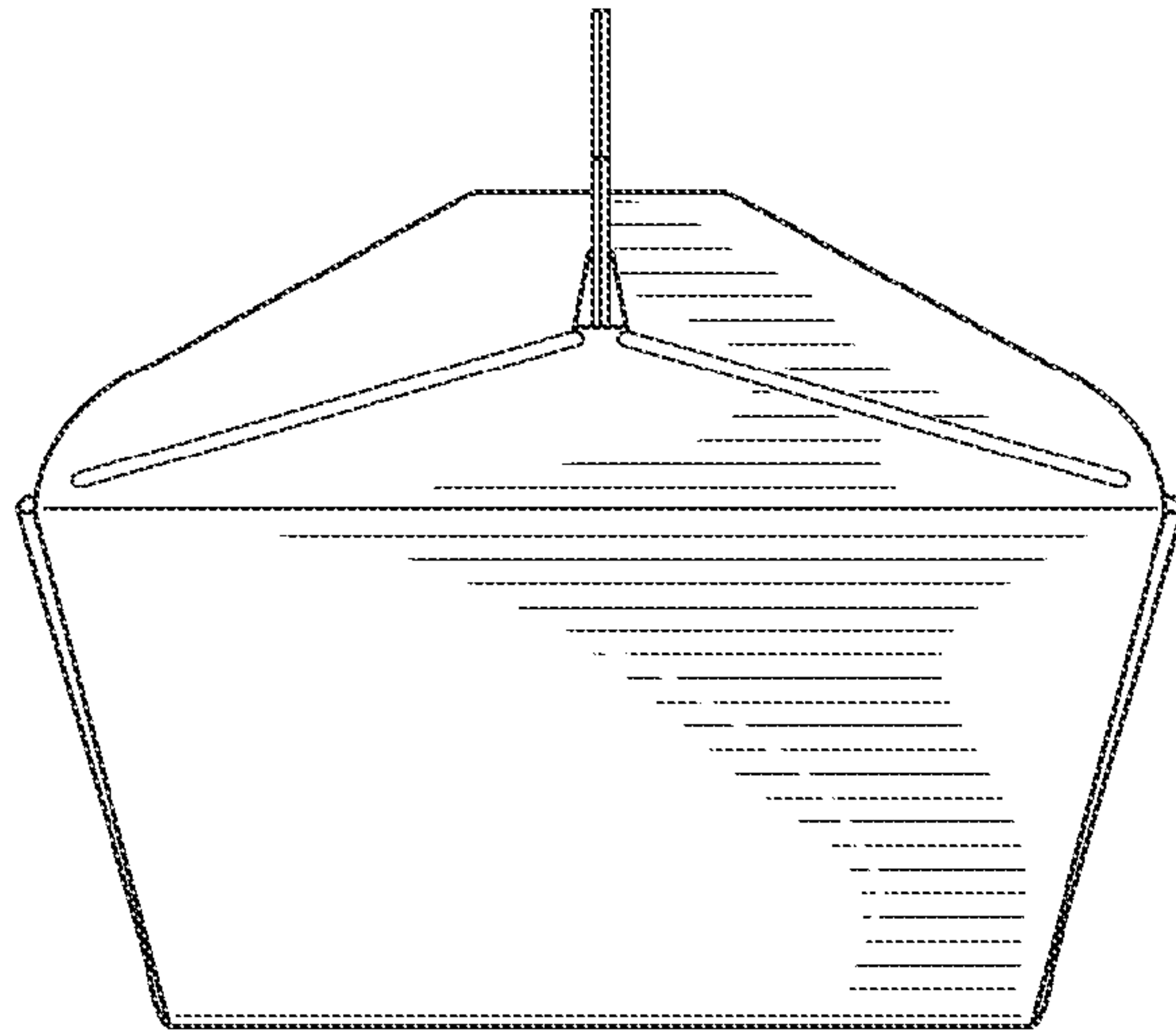


FIG. 1



**FIG. 2**

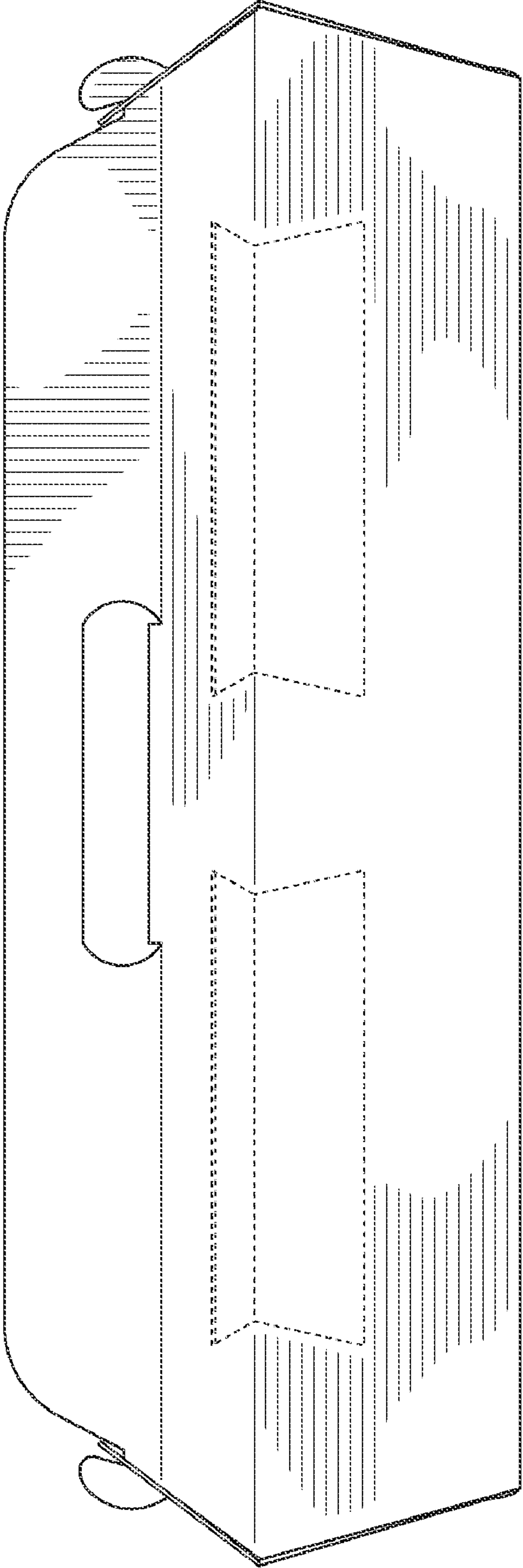


FIG. 3



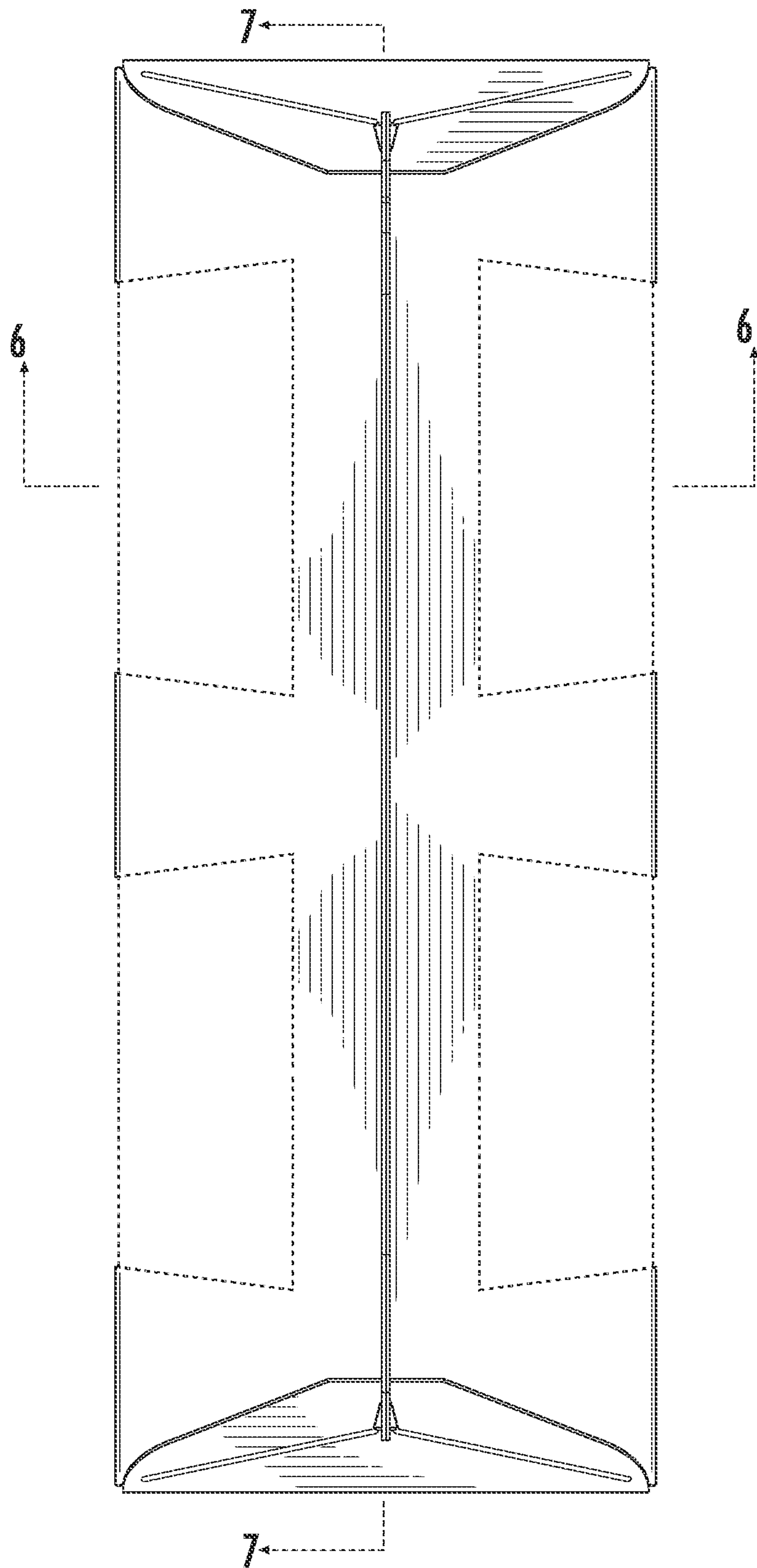


FIG. 4

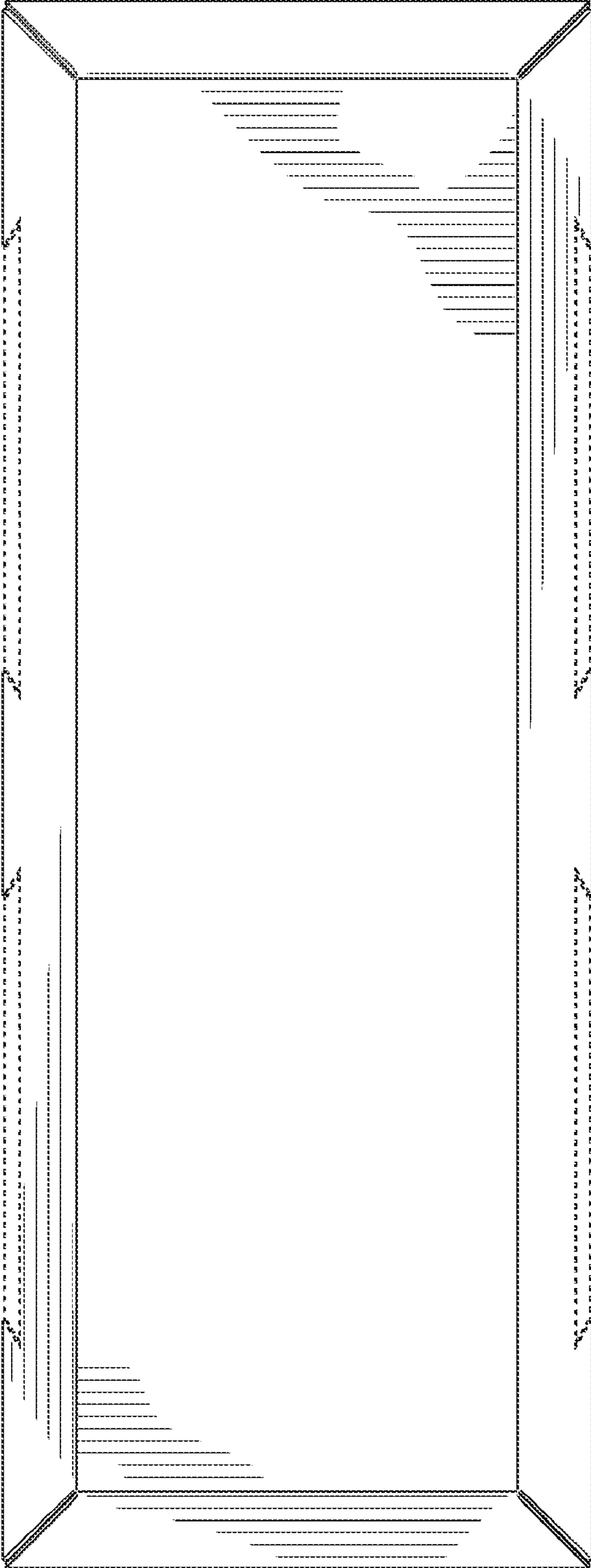
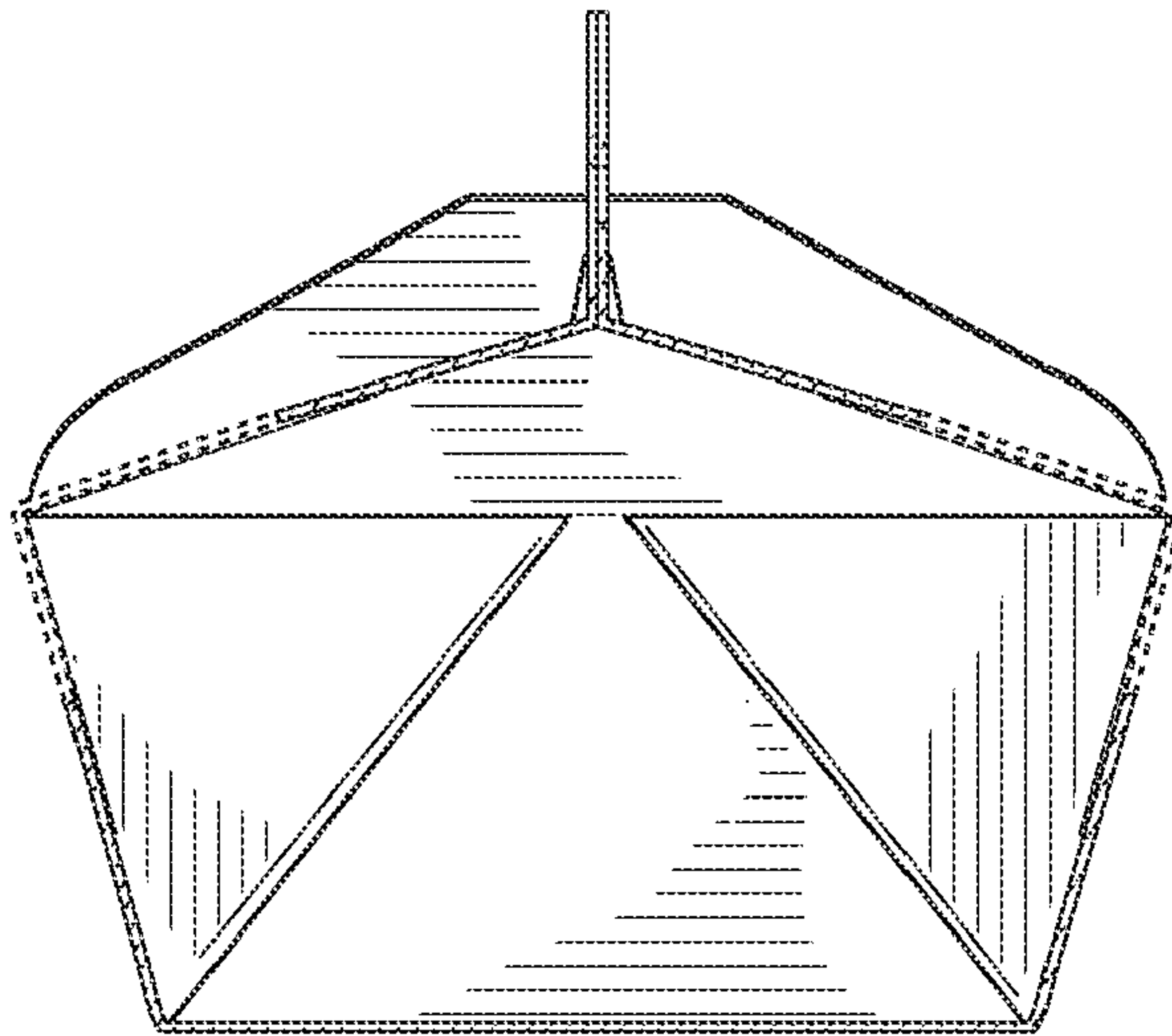


FIG. 5



**FIG. 6**

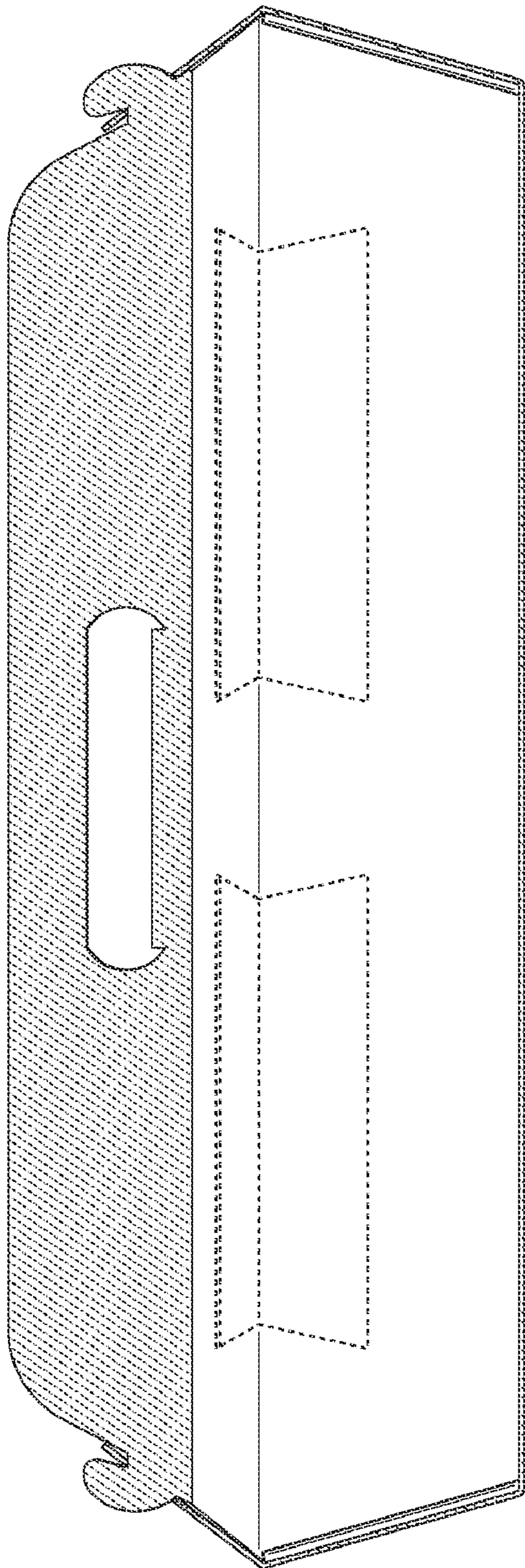


FIG. 7



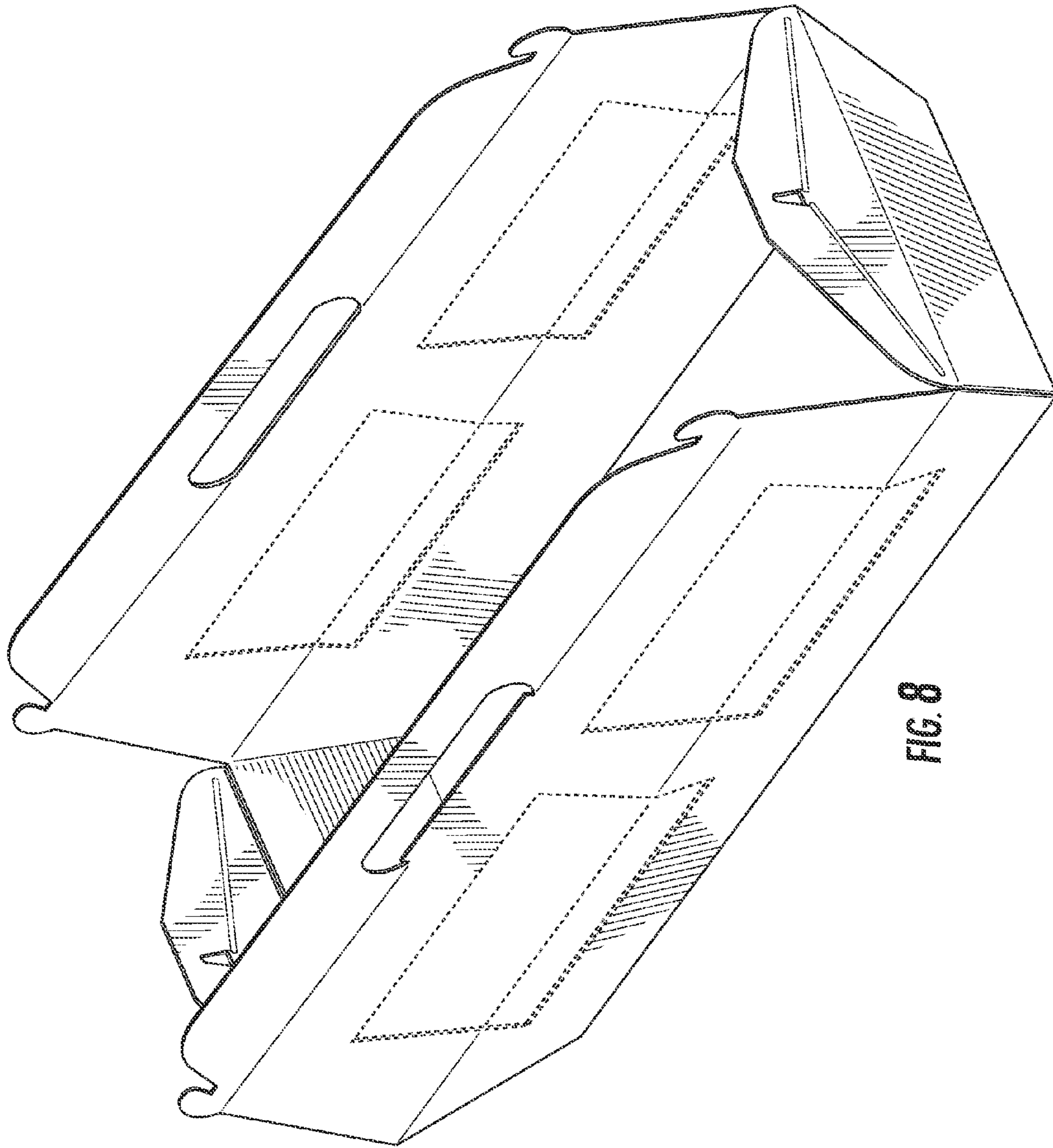


FIG. 8

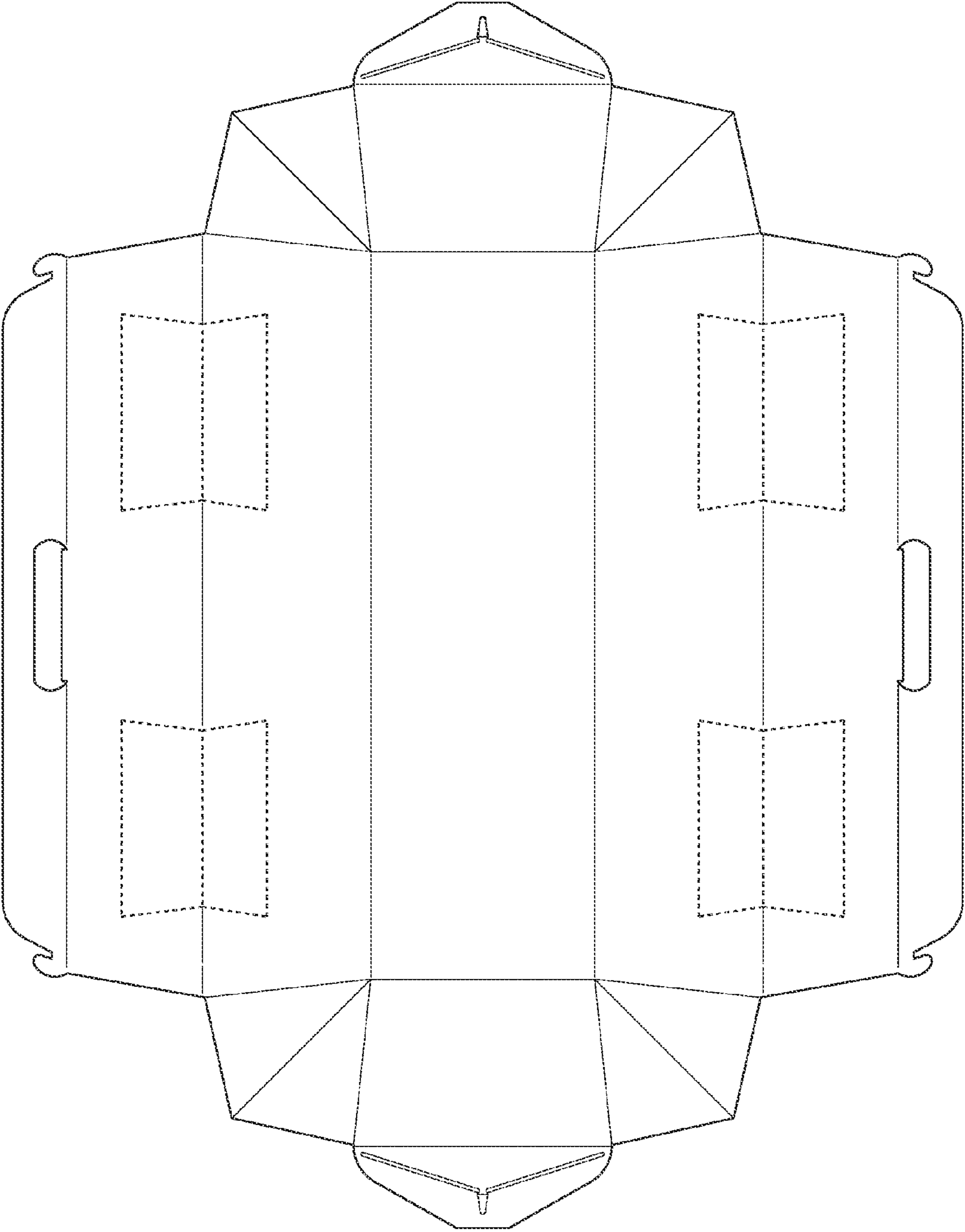


FIG. 9