



US00D675518S

(12) **United States Design Patent**
Wheaton et al.

(10) **Patent No.:** **US D675,518 S**
(45) **Date of Patent:** **** Feb. 5, 2013**

(54) **CONTAINER**

(75) Inventors: **Brant P. Wheaton**, Chicago, IL (US);
Michelle Lorge, Ridgefield, CT (US);
Howard Montgomery, Lancaster, PA (US)

(73) Assignee: **Kraft Foods Global Brands LLC**,
Northfield, IL (US)

(**) Term: **14 Years**

(21) Appl. No.: **29/402,902**

(22) Filed: **Sep. 29, 2011**

(51) **LOC (9) Cl.** **09-03**

(52) **U.S. Cl.** **D9/424**

(58) **Field of Classification Search** D9/414,
D9/419, 423, 424, 425, 430, 431, 432, 761;
D7/538, 549, 550.1; 206/499, 508, 557,
206/501; 220/23.4, 23.6, 315, 318, 500,
220/659, 669, 675, 696, 752, 760, 790, 793;
229/105, 117.09, 117.26, 189, 406, 407,
229/902, 905, 915.1

See application file for complete search history.

(56) **References Cited**

U.S. PATENT DOCUMENTS

D238,137 S *	12/1975	Strubig et al.	D7/612
4,787,527 A	11/1988	Monetti	
D330,312 S	10/1992	Narsutis	
D336,017 S *	6/1993	Smith et al.	D7/629
D389,738 S *	1/1998	Hlobil et al.	D9/432
D416,797 S *	11/1999	Rabe et al.	D9/431
D418,056 S *	12/1999	Johnson	D9/431
D429,464 S *	8/2000	Helms	D9/431
D540,039 S *	4/2007	van Beuningen	D3/314
D548,588 S	8/2007	Bouveret et al.	
D614,949 S *	5/2010	Schmidt	D9/424
D630,900 S *	1/2011	Samartgis	D7/602
D630,901 S *	1/2011	Samartgis	D7/602

D631,298 S *	1/2011	Samartgis	D7/602
D632,559 S *	2/2011	Georgiadis	D9/424
7,938,286 B2 *	5/2011	Vogel et al.	220/276
D644,888 S *	9/2011	Samartgis	D7/602
D661,403 S *	6/2012	Connelly et al.	D24/224
2010/0065567 A1 *	3/2010	Vovan	220/266

* cited by examiner

Primary Examiner — Stella Reid

Assistant Examiner — Lauren Calve

(74) *Attorney, Agent, or Firm* — Fitch, Even, Tabin & Flannery, LLP

(57) **CLAIM**

The ornamental design for a container, as shown and described.

DESCRIPTION

FIG. 1 is a perspective view of a first embodiment of a container comprising a lid and base showing our new design; FIG. 2 is a right side elevation view of the container of FIG. 1, the left side elevation view being an identical image; FIG. 3 is a top plan view of the container of FIG. 1; FIG. 4 is a front elevation view of the container of FIG. 1, the rear elevation view being an identical image; and FIG. 5 is a bottom plan view of the container of FIG. 1; FIG. 6 is a perspective view of a second embodiment of a container comprising a lid and base showing our new design, the top plan view being shown in FIG. 3; FIG. 7 is a front elevation view of the container of FIG. 6; the rear elevation view being an identical image; FIG. 8 is a right side elevation view of the container of FIG. 6, the left side elevation view being an identical image; and, FIG. 9 is a bottom plan view of the container of FIG. 6. Broken line disclosures in the bottom plan views of FIGS. 5 and 9 are for illustrative purposes only and form no part of the claimed design.

1 Claim, 5 Drawing Sheets

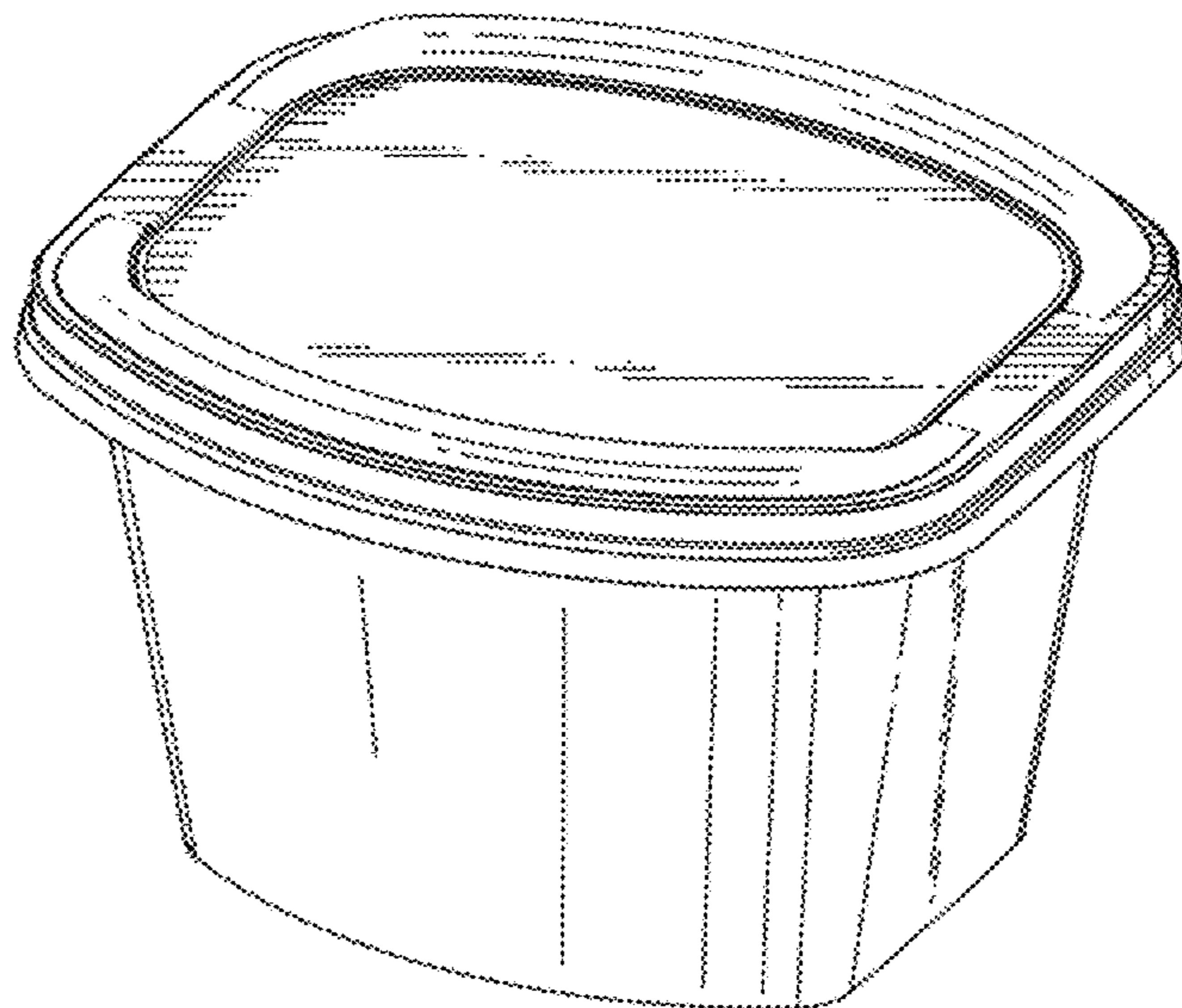


FIG. 1

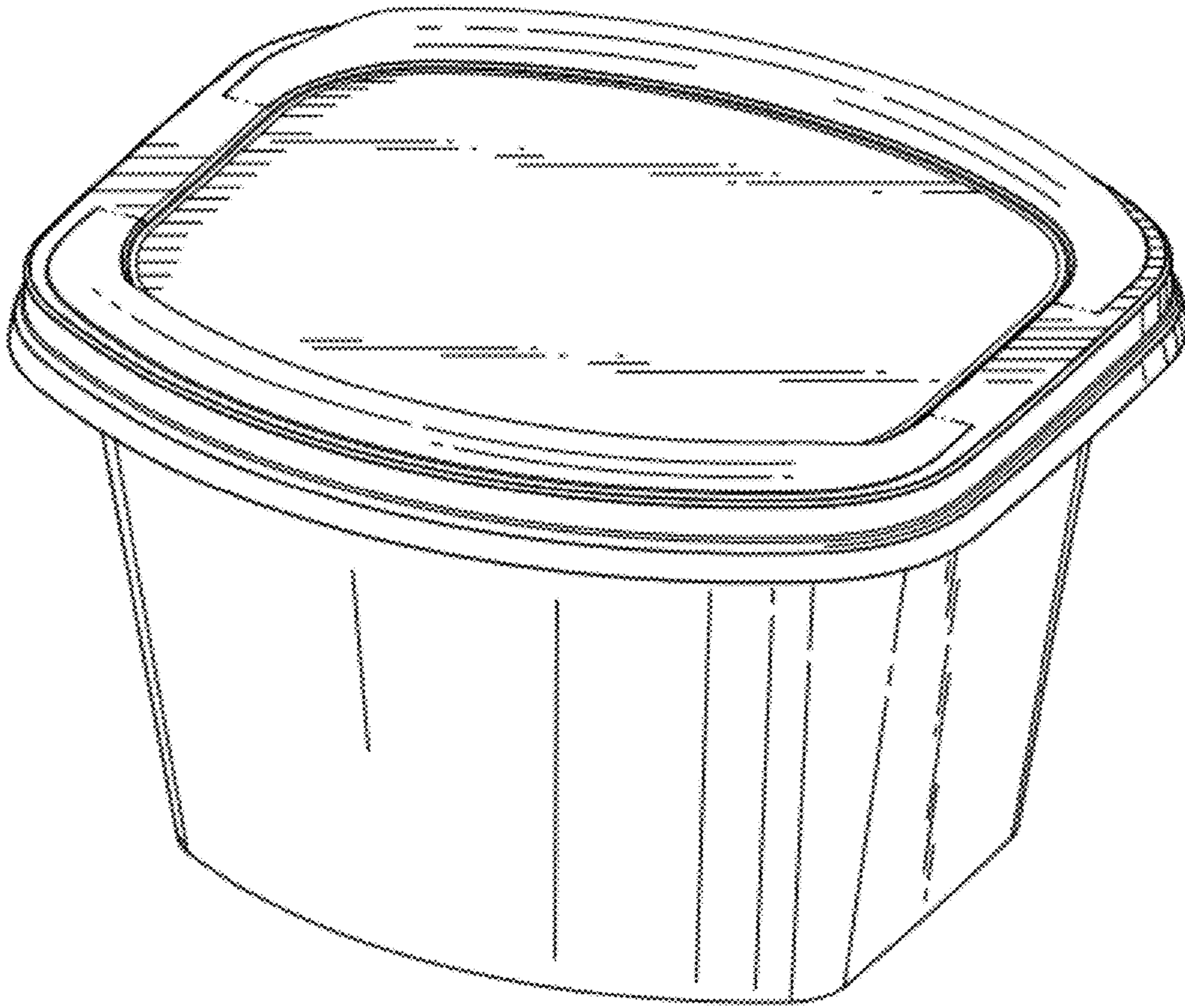


FIG. 2

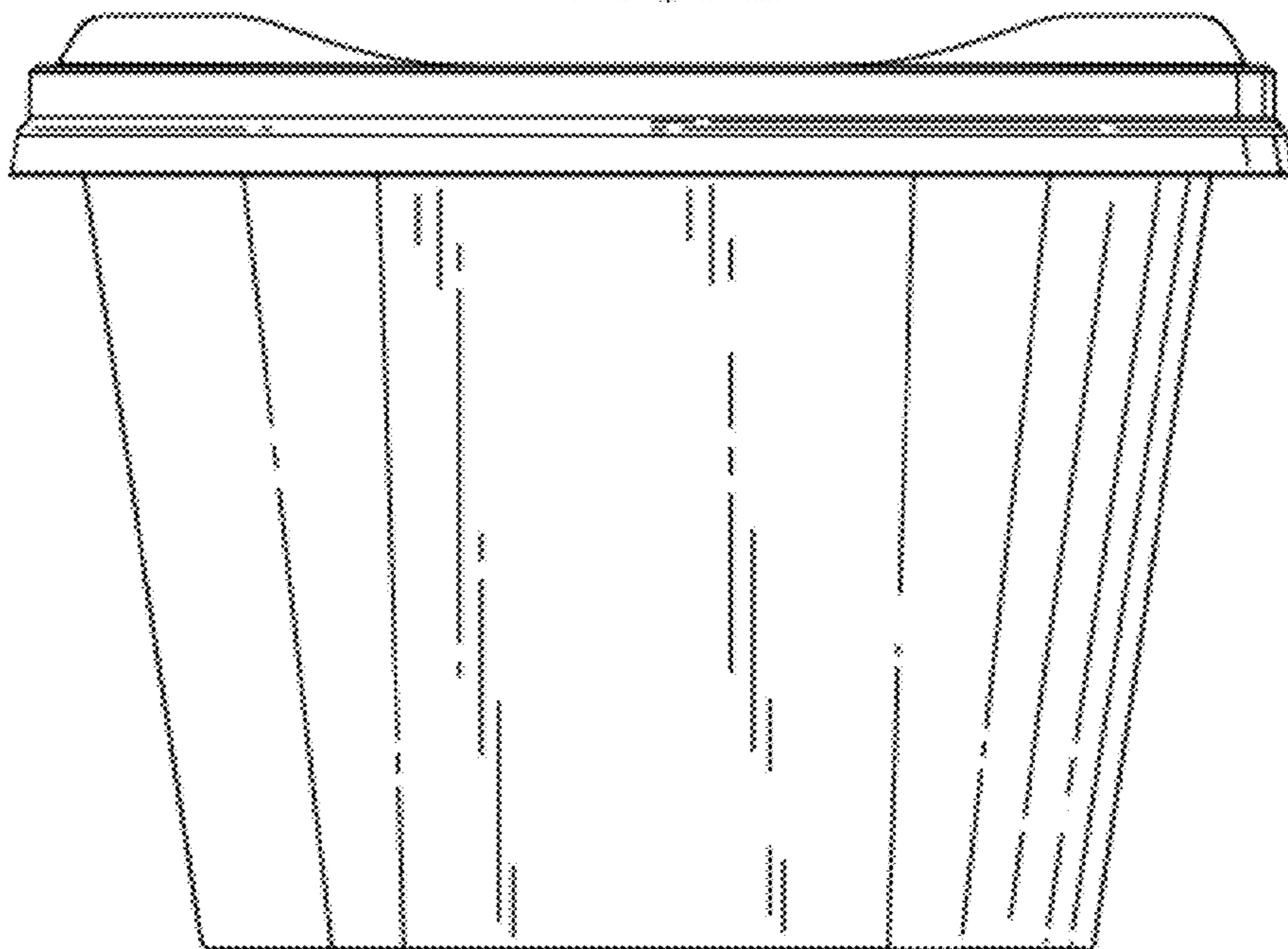


FIG. 3

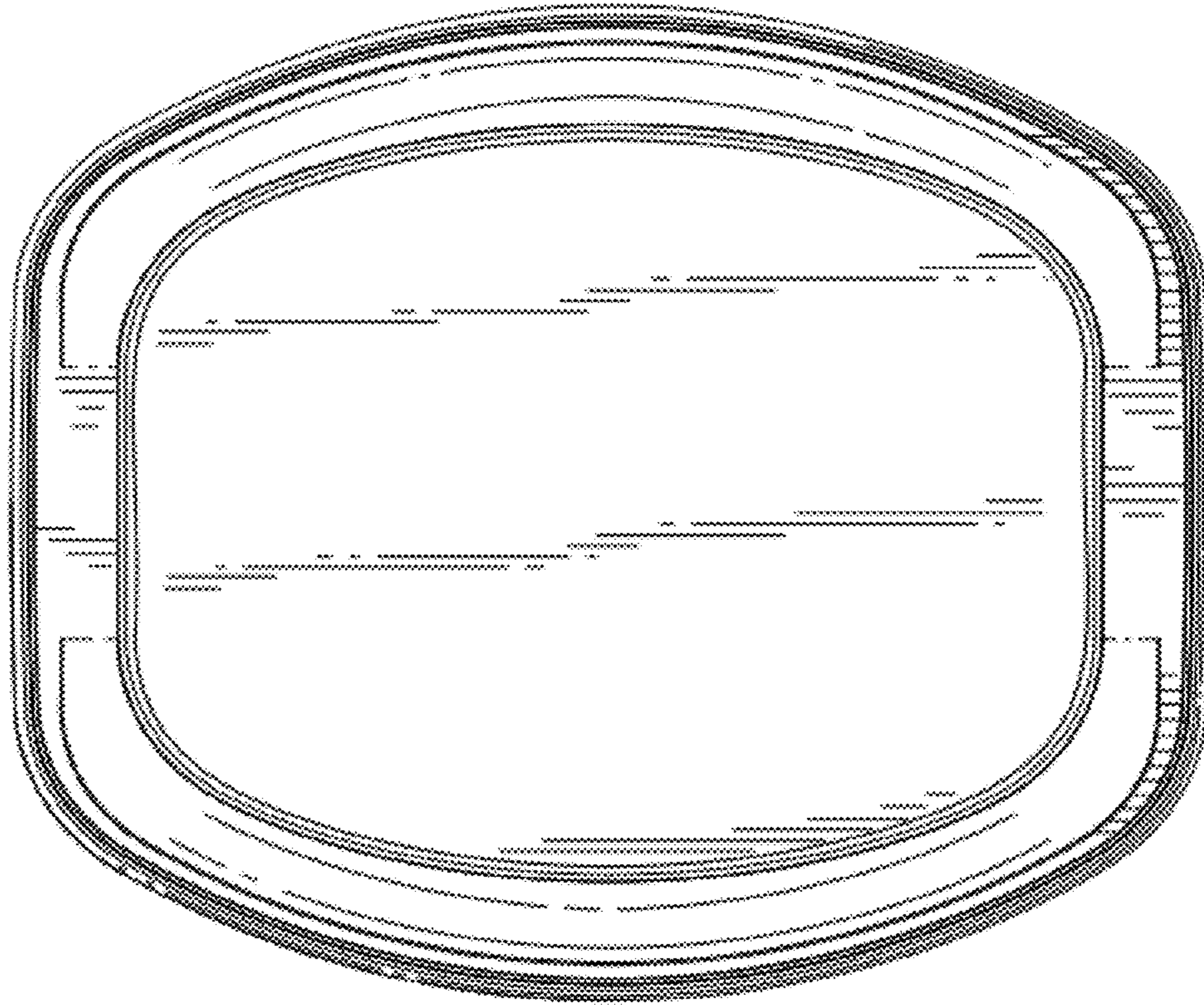


FIG. 4

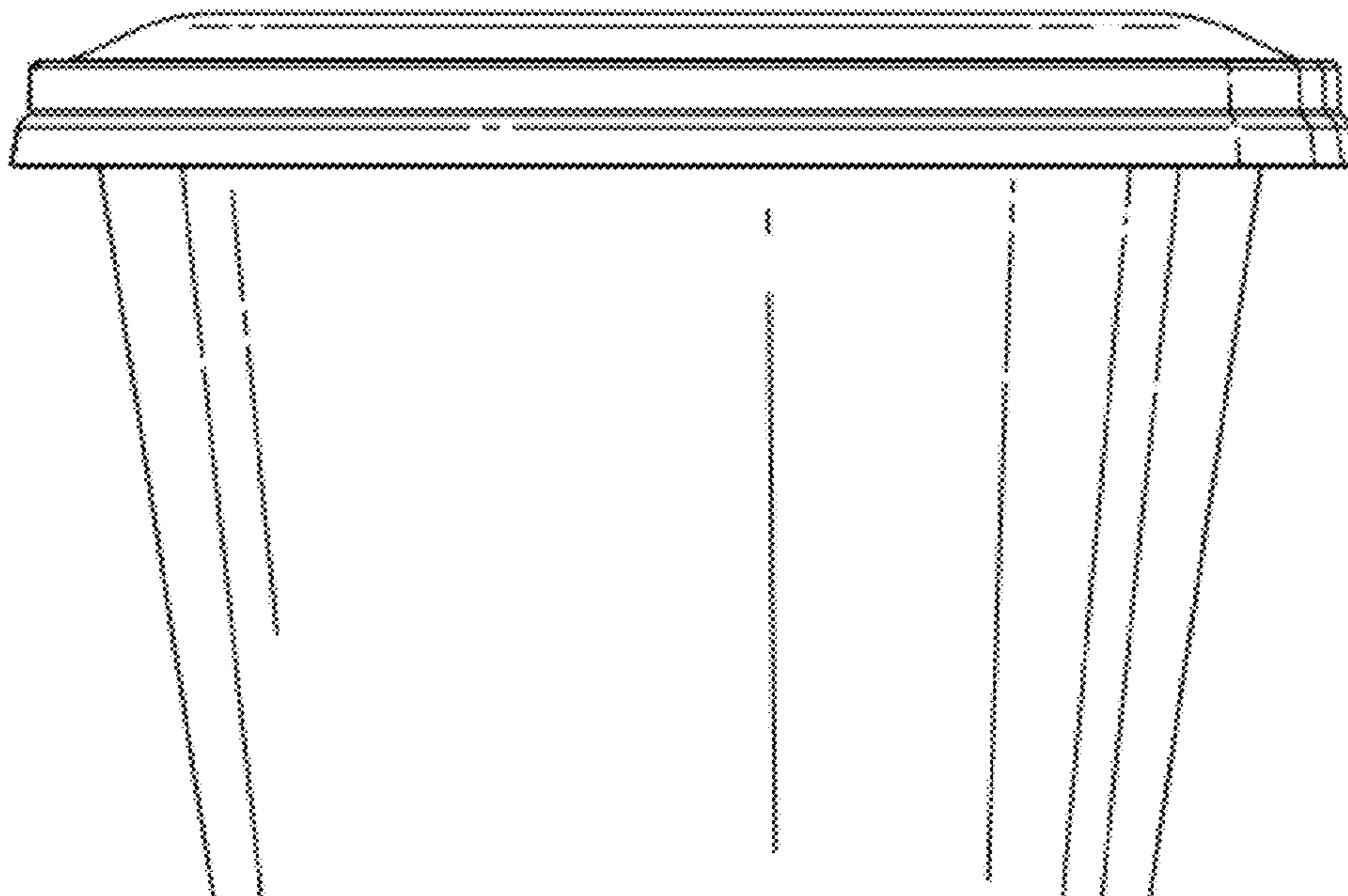


FIG. 5

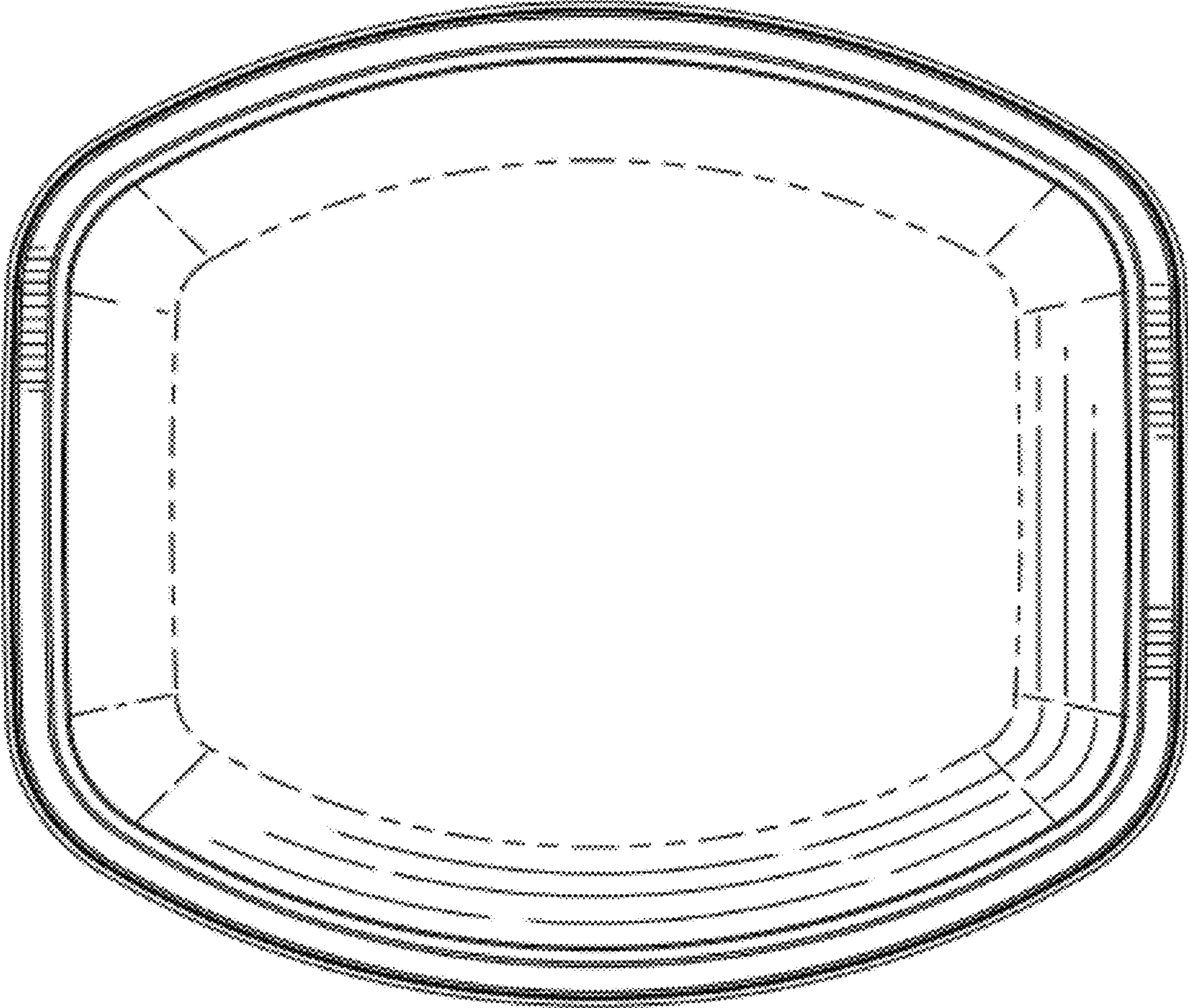


FIG. 6

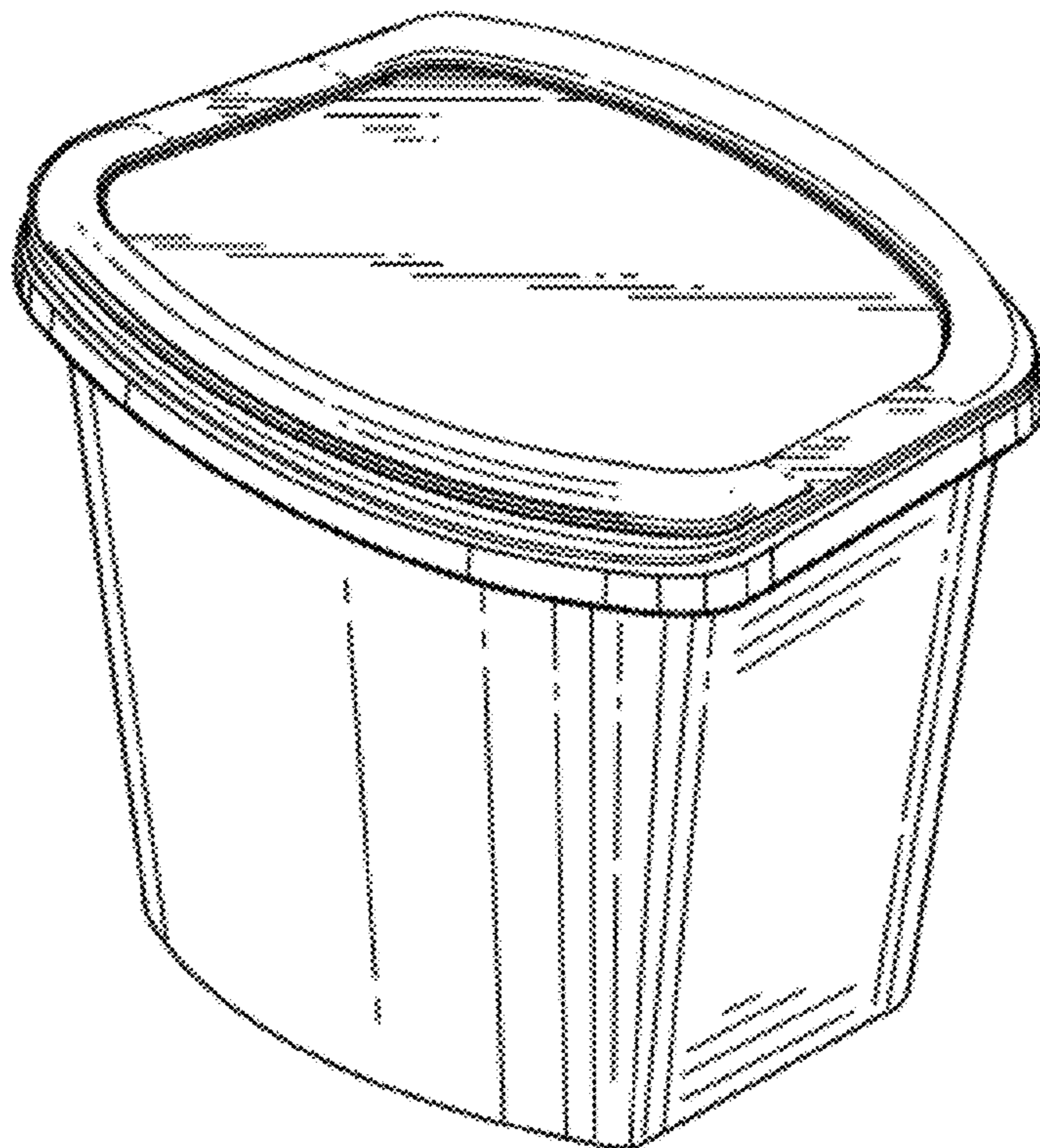


FIG. 7

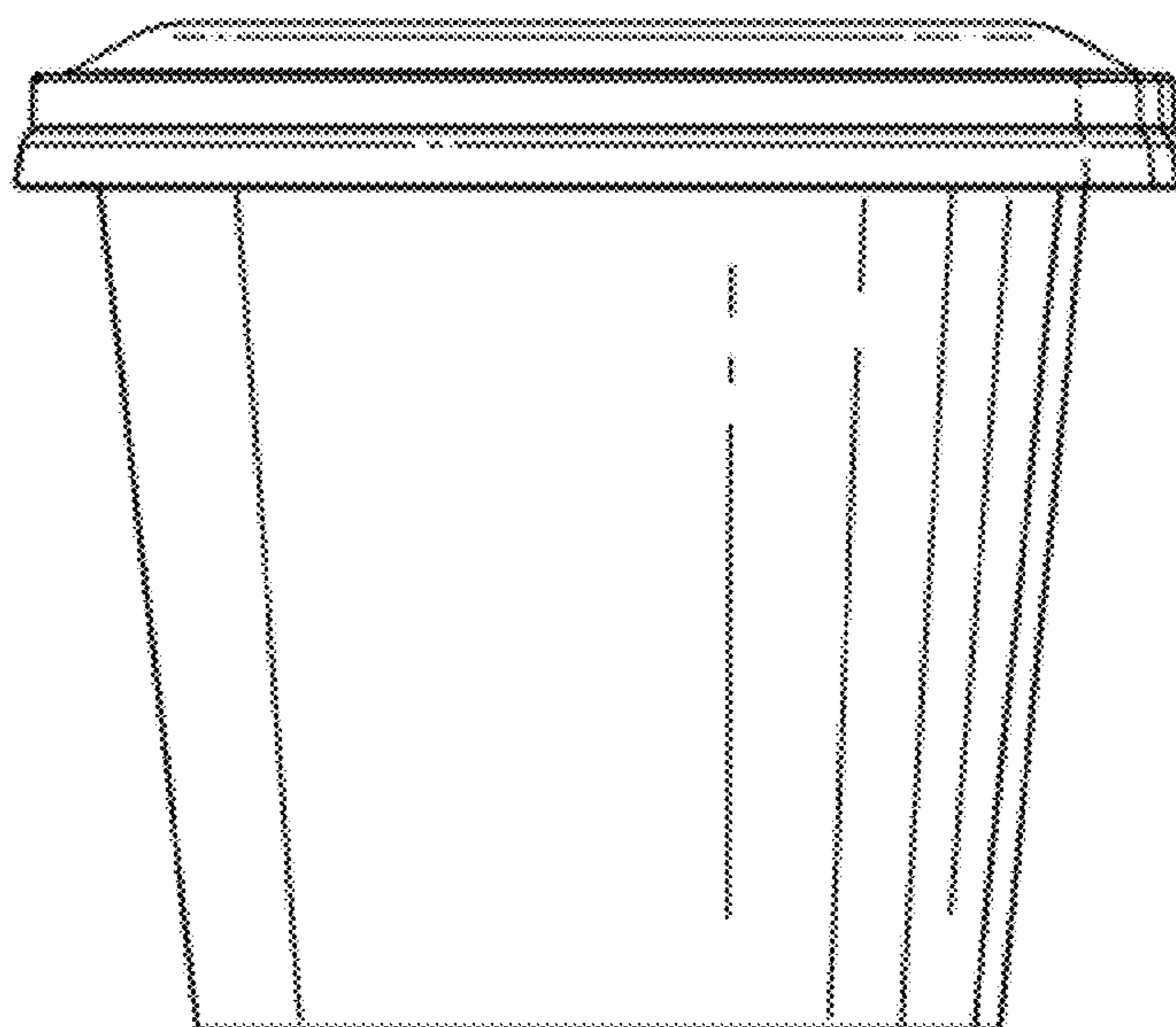


FIG. 8

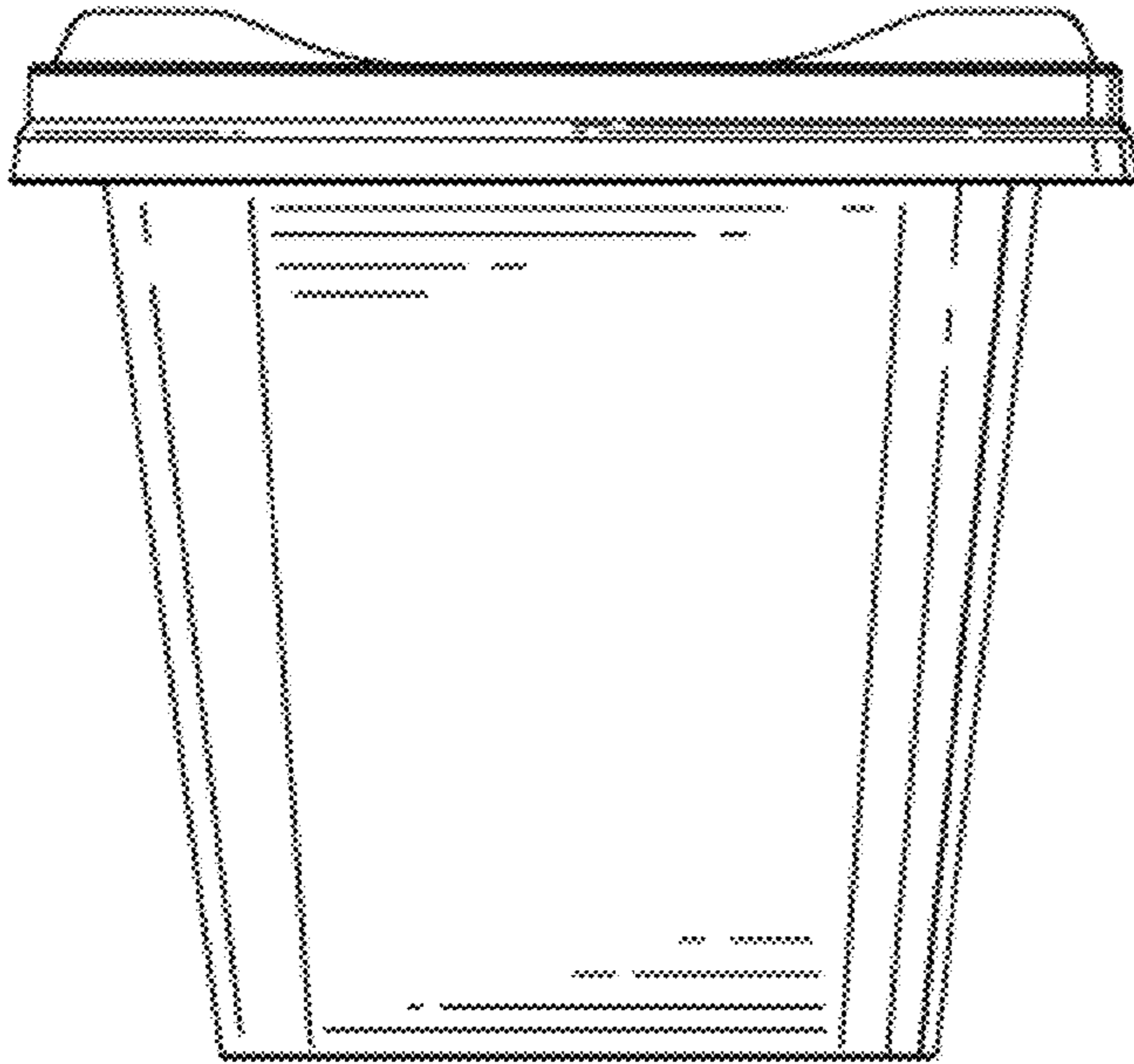


FIG. 9

