



US00D675516S

(12) **United States Design Patent**  
**Horton et al.**

(10) **Patent No.:** **US D675,516 S**  
(45) **Date of Patent:** **\*\* Feb. 5, 2013**

(54) **CONTAINER FOR STORING A PRODUCT**

(75) Inventors: **Laya Katina Palmer Horton**,  
Winston-Salem, NC (US); **Michael**  
**Eromosele Abhulimen**, Danville, CA  
(US); **Jonathan David Corwin**,  
Winston-Salem, NC (US); **Barry Smith**  
**Fagg**, Winston-Salem, NC (US); **Pankaj**  
**Patel**, Clemmons, NC (US); **Jerry**  
**Wayne Pipes**, Clemmons, NC (US)

(73) Assignee: **R.J. Reynolds Tobacco Company**,  
Winston-Salem, NC (US)

(\*\*) Term: **14 Years**

(21) Appl. No.: **29/378,474**

(22) Filed: **Nov. 4, 2010**

(51) **LOC (9) Cl.** ..... **09-03**

(52) **U.S. Cl.** ..... **D9/424; D9/428**

(58) **Field of Classification Search** ..... D9/414,  
D9/419, 430, 431, 432, 761, 420-426, 435,  
D9/737, 738, 759, 770, 428; D7/538, 549,  
D7/550.1; 206/499, 508, 557, 501, 92, 93,  
206/95, 96, 236; 220/23.4, 23.6, 315, 318,  
220/500, 659, 669, 675, 696, 752, 760, 790,  
220/793; 229/105, 117.09, 117.26, 189,  
229/406, 407, 902, 905, 915.1; 131/329;  
D3/203.1, 203.2, 200, 201; D27/105, 172,  
D27/183-194

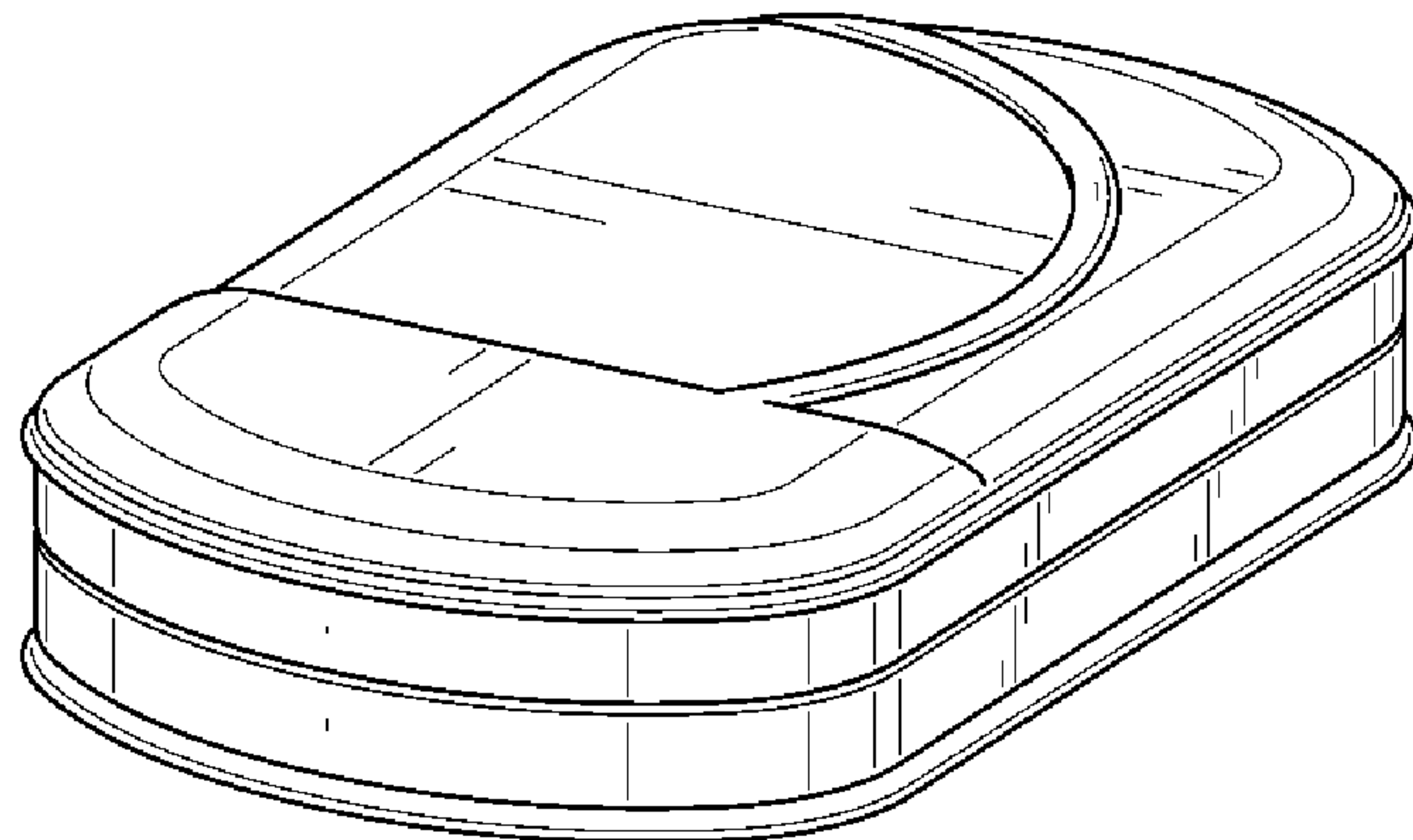
See application file for complete search history.

(56) **References Cited**

U.S. PATENT DOCUMENTS

194,197 A 8/1877 Villaret  
256,246 A \* 4/1882 Scott ..... 206/92  
1,123,441 A \* 1/1915 Warne ..... 206/92  
2,090,530 A 8/1937 Guffey et al.  
D134,249 S 11/1942 Button  
3,696,917 A 10/1972 Levi  
3,782,584 A 1/1974 Swenson et al.  
3,895,737 A 7/1975 Phillips  
536,923 A 3/1976 Mayled  
4,057,145 A 11/1977 Wray et al.

4,154,365 A 5/1979 Lorca  
4,284,204 A 8/1981 Carey, Jr.  
4,437,579 A 3/1984 Obland  
4,561,544 A 12/1985 Reeve  
4,572,376 A 2/1986 Wrennall  
4,611,727 A 9/1986 Graff  
4,705,165 A 11/1987 Thieke  
D303,298 S \* 9/1989 Grant ..... D27/102  
D306,235 S \* 2/1990 Tamamura ..... D3/295  
D307,555 S 5/1990 Haenni et al.  
5,108,006 A 4/1992 Tieke et al.  
5,174,471 A 12/1992 Kozlowski et al.  
5,275,291 A 1/1994 Sledge  
5,657,901 A 8/1997 Farside  
5,729,955 A 3/1998 Yamada  
D393,591 S 4/1998 Baryshyan  
5,782,359 A 7/1998 McAllister et al.  
5,816,441 A 10/1998 Farside  
5,897,025 A 4/1999 Flewitt et al.  
D409,086 S \* 5/1999 Brown et al. .... D9/428  
5,909,822 A 6/1999 George et al.  
5,915,560 A 6/1999 George et al.  
6,131,765 A 10/2000 Barry et al.  
6,155,454 A 12/2000 George et al.  
D444,058 S 6/2001 Hampshire et al.  
6,267,265 B1 7/2001 Issa  
6,460,693 B1 10/2002 Harrold  
D466,408 S \* 12/2002 Baerenwald et al. .... D9/432  
D469,607 S \* 2/2003 Wolff ..... D3/294  
6,527,138 B2 3/2003 Pawlo et al.  
D491,315 S \* 6/2004 Dittmer et al. .... D28/83  
6,758,338 B2 7/2004 Lien  
D495,545 S 9/2004 Niehues  
6,863,175 B2 3/2005 Gelardi  
6,913,149 B2 7/2005 Gelardi et al.  
6,976,576 B2 12/2005 Intini  
D514,308 S \* 2/2006 Wahl et al. .... D3/203.2  
D525,119 S \* 7/2006 Maskell et al. .... D9/417  
D525,120 S \* 7/2006 Maskell et al. .... D9/428  
D527,995 S \* 9/2006 Tanner ..... D9/424  
D527,996 S \* 9/2006 Tanner ..... D9/424  
D531,499 S 11/2006 Zaidman  
7,159,720 B2 1/2007 Pearson  
7,216,776 B2 5/2007 Gelardi  
D548,070 S \* 8/2007 Swain ..... D9/432  
7,288,745 B2 10/2007 Colonna  
7,353,969 B2 4/2008 McHutchinson  
D572,588 S 7/2008 Osborn et al.  
D585,638 S \* 2/2009 Skedelius ..... D3/203.2  
D589,798 S 4/2009 Liipola  
D594,154 S 6/2009 Patel et al.  
7,565,969 B2 7/2009 He  
7,588,149 B2 9/2009 Gelardi



D608,593	S	1/2010	Follansbee et al.	
D609,855	S	2/2010	Patel et al.	
7,712,630	B2	5/2010	He	
D617,043	S	6/2010	Patel et al.	
D630,505	S *	1/2011	Westemeyer et al.	D9/426
D633,712	S *	3/2011	Everette	D3/203.1
D640,131	S	6/2011	Gibson et al.	
D643,972	S *	8/2011	Krohn	D27/193
D646,159	S *	10/2011	Bellamah et al.	D9/424
D649,284	S	11/2011	Patel et al.	
D650,268	S *	12/2011	Gibson et al.	D9/428
D665,253	S *	8/2012	Bellamah et al.	D9/424
2002/0096517	A1	7/2002	Gelardi	
2002/0175195	A1	11/2002	Cole	
2004/0217024	A1	11/2004	Arnarp et al.	
2005/0173272	A1	8/2005	Lemmons, IV	
2006/0060480	A1	3/2006	Budd	
2006/0118589	A1	6/2006	Arnarp et al.	
2006/0124658	A1	6/2006	Coe et al.	
2006/0243611	A1	11/2006	Wu	
2007/0068960	A1	3/2007	Valentine et al.	
2007/0102318	A1	5/2007	Gelardi et al.	
2007/0163911	A1	7/2007	Gelardi	
2007/0277299	A1	12/2007	Kroon	
2008/0029110	A1	2/2008	Dube et al.	
2008/0029116	A1	2/2008	Robinson et al.	
2008/0035643	A1	2/2008	Hoffman	
2008/0290110	A1	11/2008	Gelardi et al.	
2009/0223989	A1	9/2009	Gelardi	
2009/0266837	A1	10/2009	Gelardi et al.	
2010/0133140	A1	6/2010	Bailey et al.	
2010/0264157	A1	10/2010	Bailey et al.	

FOREIGN PATENT DOCUMENTS

CH	180218	A	10/1935
GB	686 870	A	2/1953
GB	2 042 476	A	9/1980
WO	WO 99/48391	A1	9/1999
WO	WO 2004/035404	A1	4/2004
WO	WO 2005/016036	A1	2/2005
WO	WO 2005/035390	A1	4/2005
WO	WO 2007/017761	A2	2/2007
WO	WO 2007/067953	A2	6/2007
WO	WO 2008/070032	A2	6/2008

\* cited by examiner

*Primary Examiner* — Stella Reid

*Assistant Examiner* — Lauren Calve

(74) *Attorney, Agent, or Firm* — Womble Carlyle Sandridge & Rice, LLC

(57) **CLAIM**

The ornamental design for a container for storing a product, as shown and described.

**DESCRIPTION**

FIG. 1 is a top front perspective view of a container for storing a product, according to one embodiment of the present disclosure, the container having a base member and a cover member;

FIG. 2 is a top rear perspective view of the container shown in FIG. 1;

FIG. 3 is a top plan view of the container shown in FIG. 1;

FIG. 4 is a bottom plan view of the container shown in FIG. 1;

FIG. 5 is a side elevation view of the container shown in FIG. 1;

FIG. 6 is another side elevation view, opposite the view shown in FIG. 5, of the container shown in FIG. 1;

FIG. 7 is an end view of the container shown in FIG. 1, the container being flipped as compared to the view shown in FIG. 1;

FIG. 8 is another end view, opposite the view shown in FIG. 7, of the container shown in FIG. 1;

FIG. 9 is an exploded top front perspective view of the container shown in FIG. 1;

FIG. 10 is an exploded top rear perspective view of the container shown in FIG. 1;

FIG. 11 is a top front perspective view of a container for storing a product, according to an alternative embodiment of the present disclosure, the container having a base member and a cover member;

FIG. 12 is a top rear perspective view of the container shown in FIG. 11;

FIG. 13 is a top plan view of the container shown in FIG. 11;

FIG. 14 is a bottom plan view of the container shown in FIG. 11;

FIG. 15 is a side elevation view of the container shown in FIG. 11;

FIG. 16 is another side elevation view, opposite the view shown in FIG. 15, of the container shown in FIG. 11;

FIG. 17 is an end view of the container shown in FIG. 11, the container being flipped as compared to the view shown in FIG. 11;

FIG. 18 is another end view, opposite the view shown in FIG. 17, of the container shown in FIG. 11;

FIG. 19 is an exploded top front perspective view of the container shown in FIG. 11;

FIG. 20 is an exploded top rear perspective view of the container shown in FIG. 11;

FIG. 21 is a top front perspective view of a container for storing a product, according to yet another alternative embodiment of the present disclosure, the container having a base member and a cover member;

FIG. 22 is a top rear perspective view of the container shown in FIG. 21;

FIG. 23 is a top plan view of the container shown in FIG. 21;

FIG. 24 is a bottom plan view of the container shown in FIG. 21;

FIG. 25 is a side elevation view of the container shown in FIG. 21;

FIG. 26 is another side elevation view, opposite the view shown in FIG. 25, of the container shown in FIG. 21;

FIG. 27 is an end view of the container shown in FIG. 21, the container being flipped as compared to the view shown in FIG. 21;

FIG. 28 is another end view, opposite the view shown in FIG. 27, of the container shown in FIG. 21;

FIG. 29 is an exploded top front perspective view of the container shown in FIG. 21; and,

FIG. 30 is an exploded top rear perspective view of the container shown in FIG. 21.



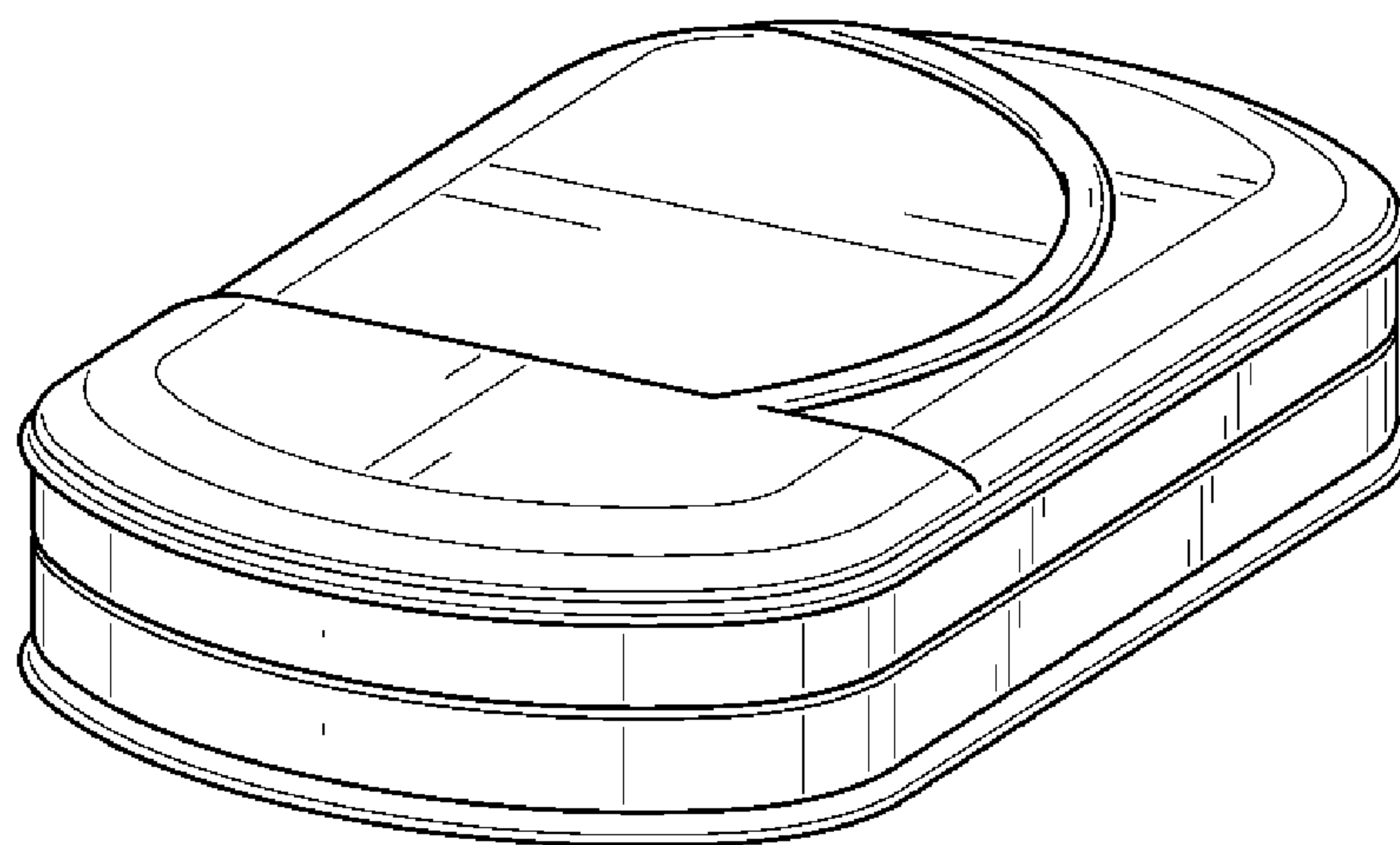


FIG. 1

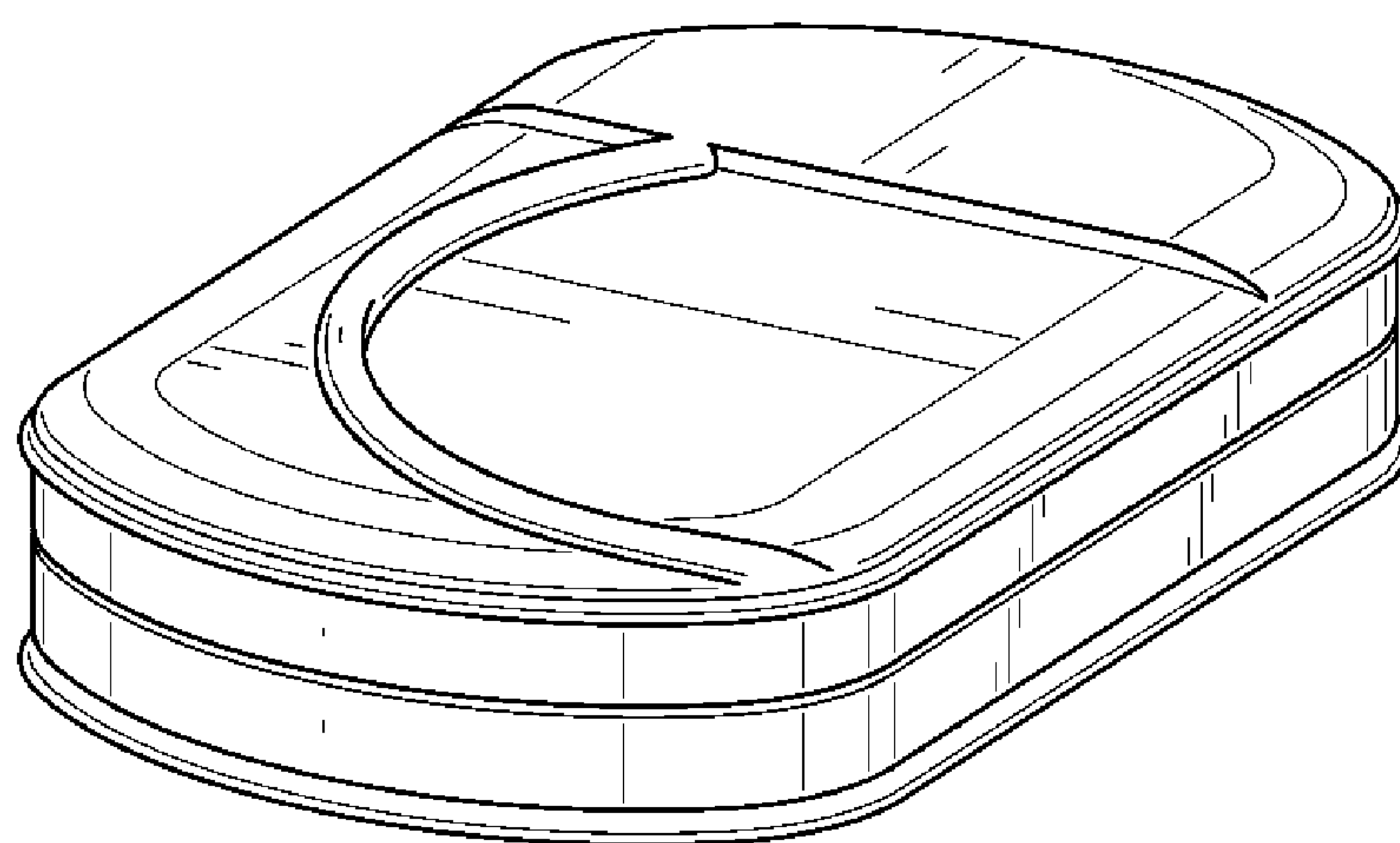


FIG. 2

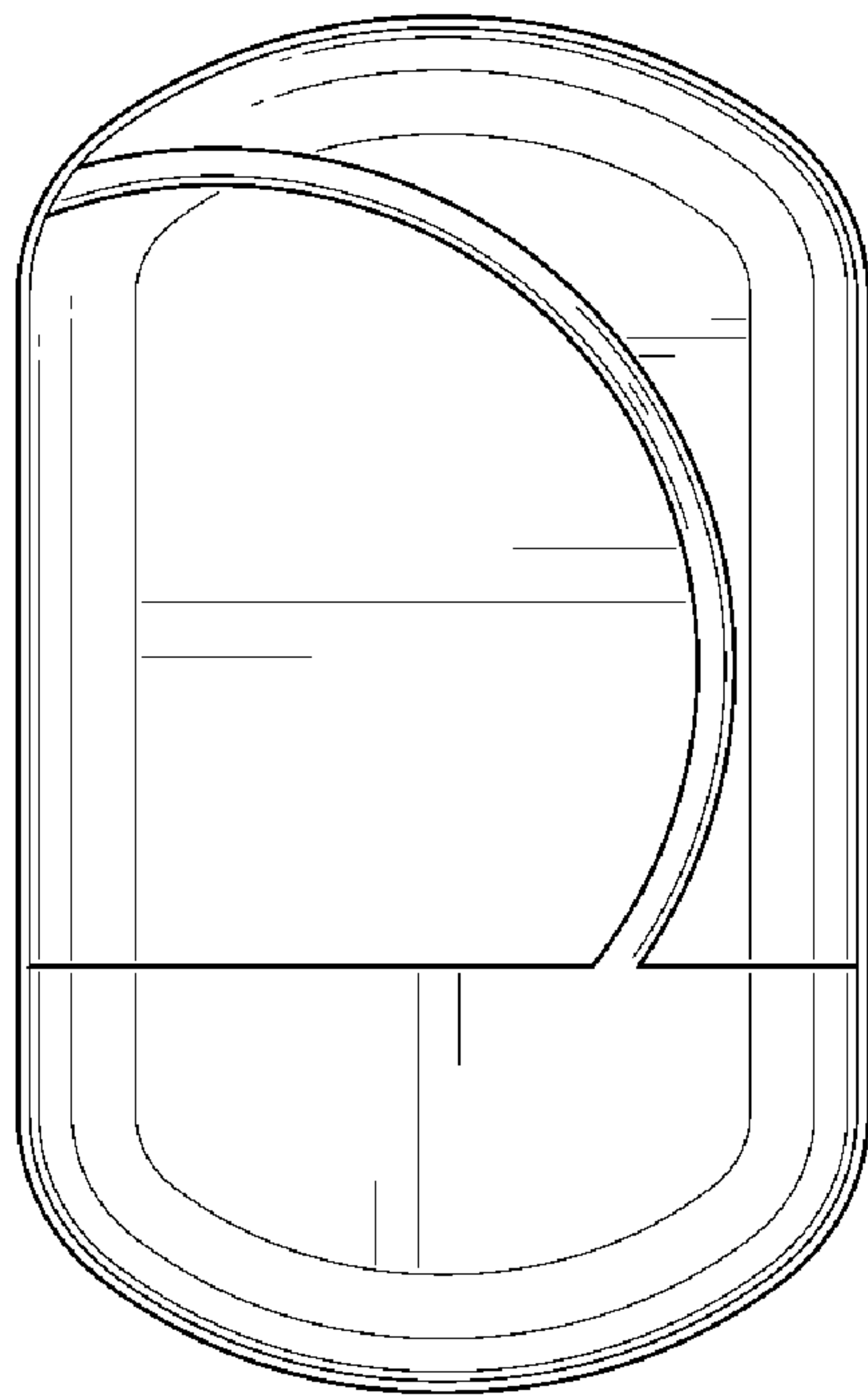


FIG. 3

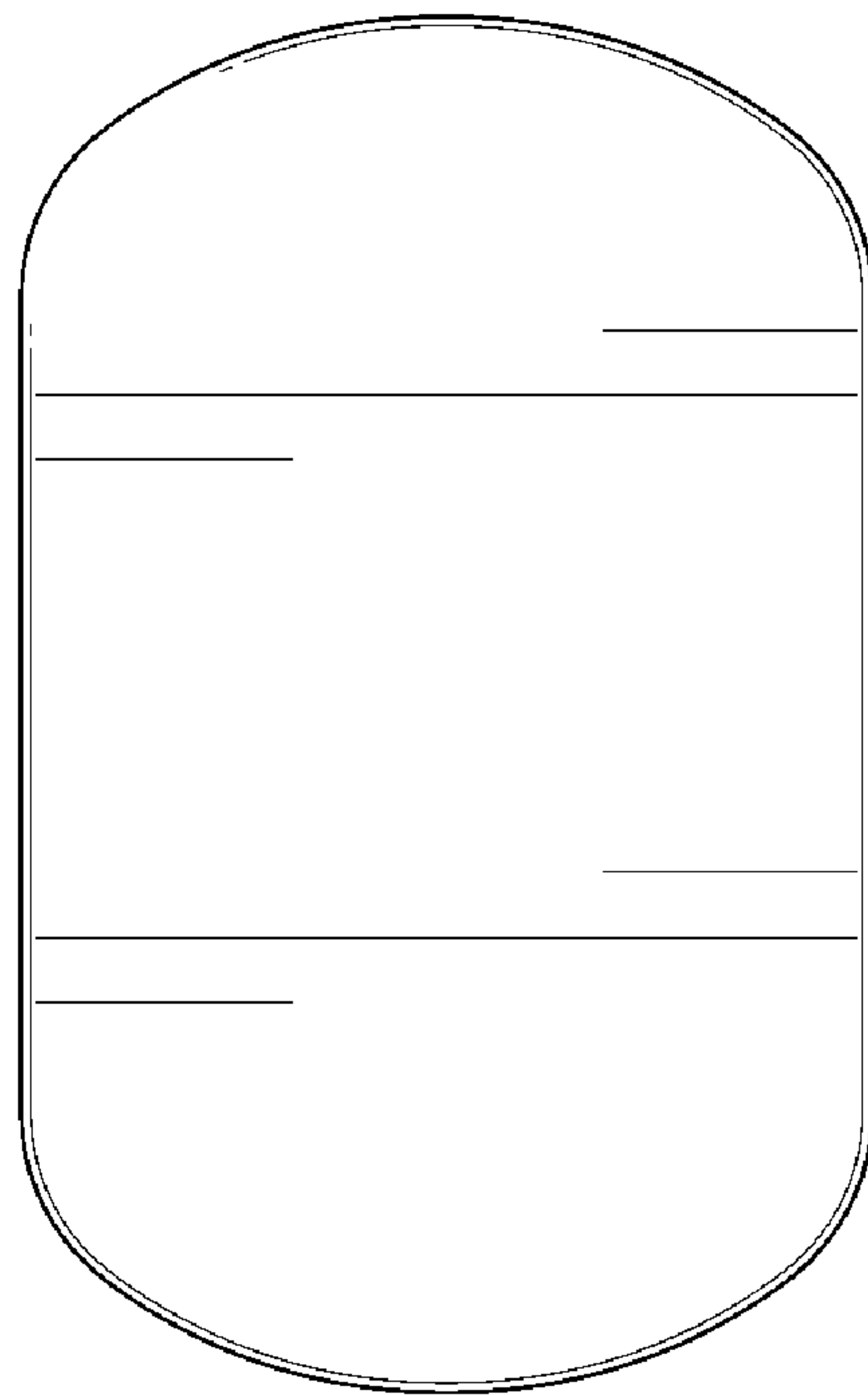


FIG. 4

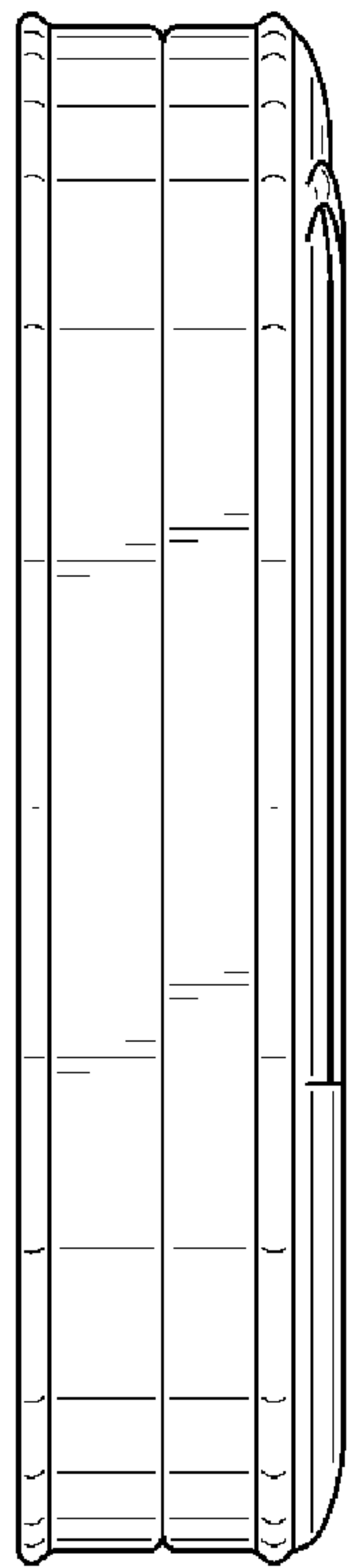


FIG. 5

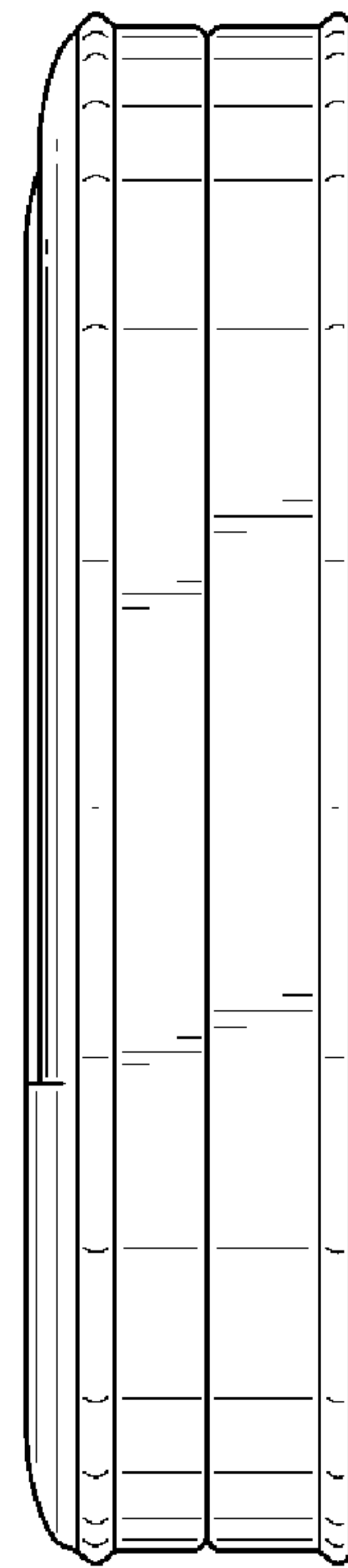


FIG. 6

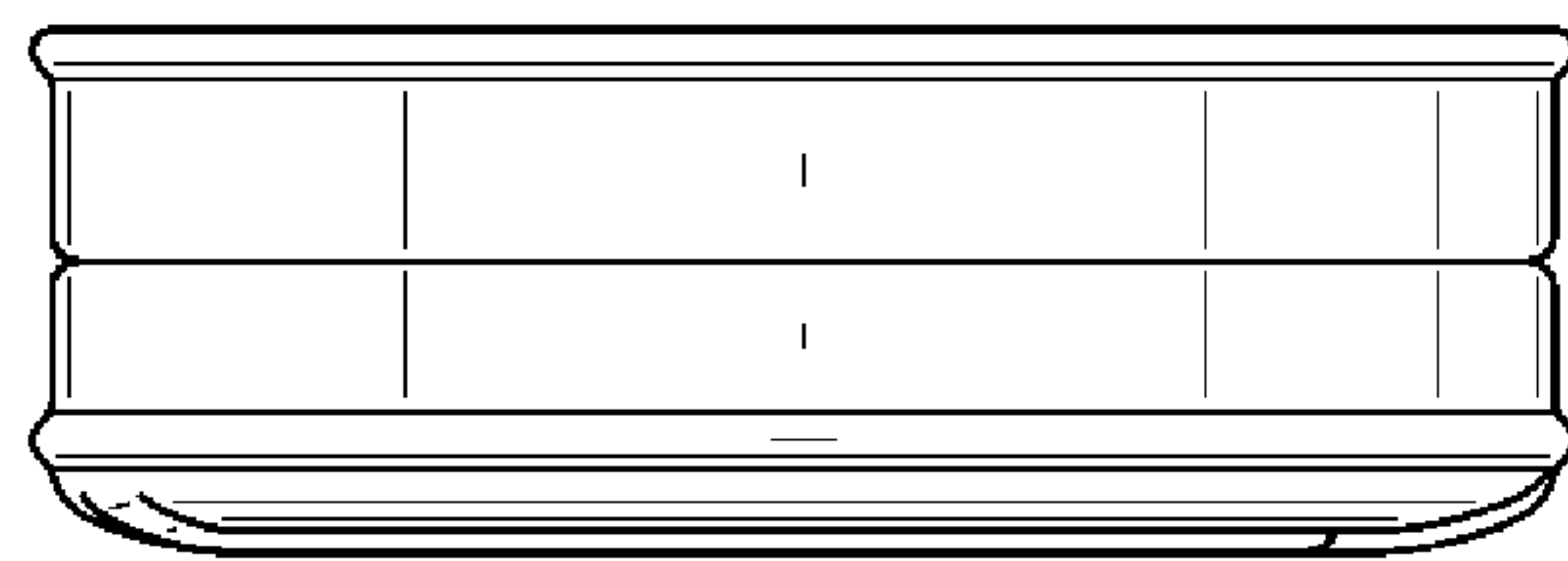


FIG. 7

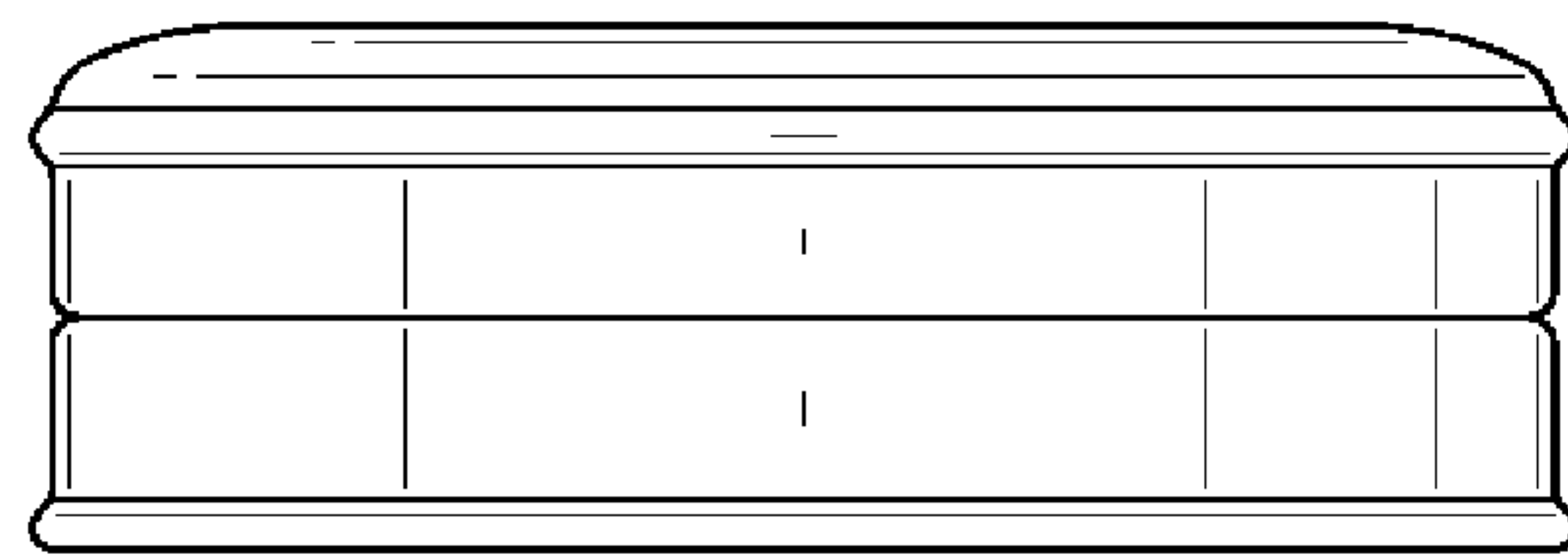


FIG. 8

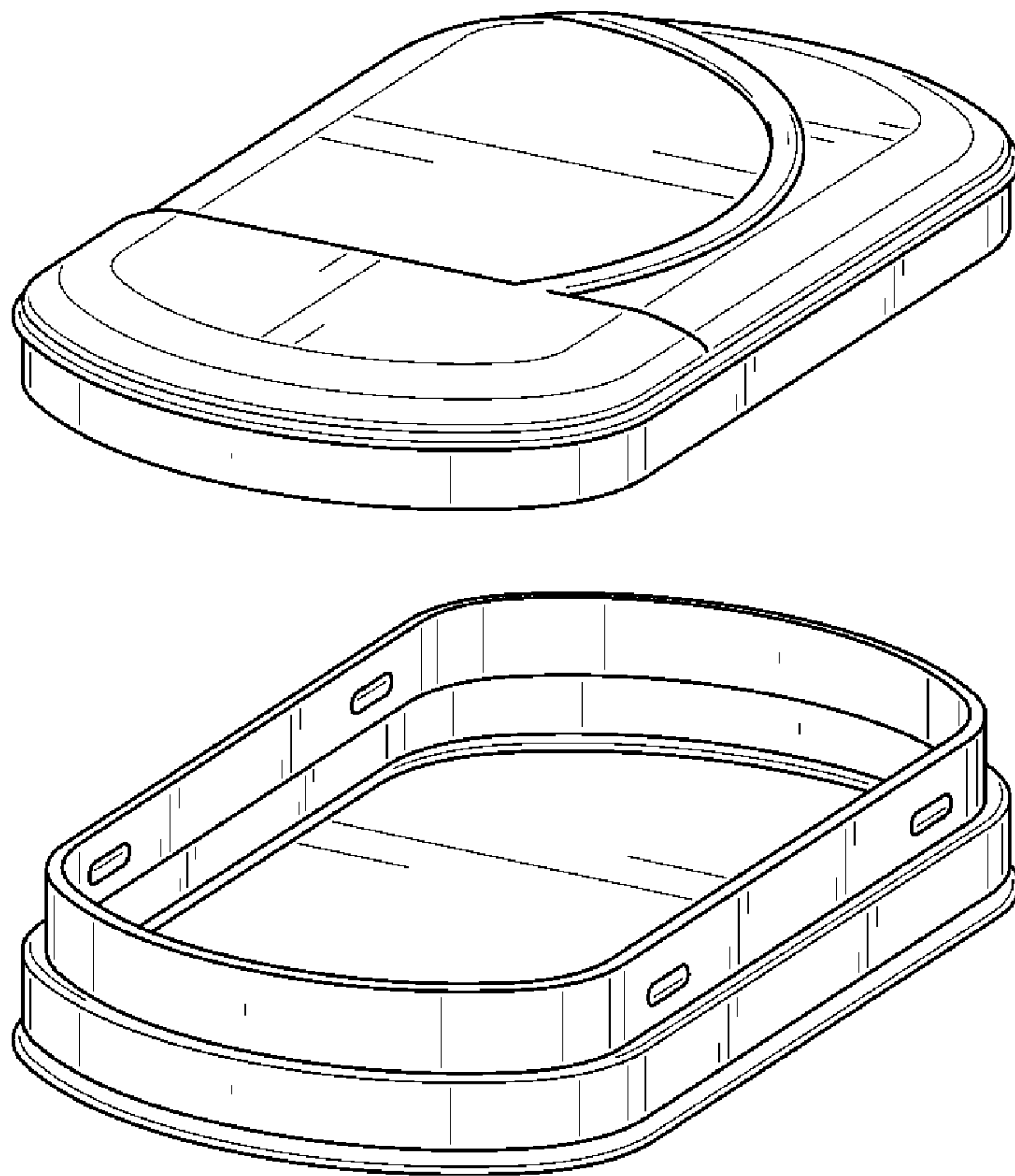


FIG. 9

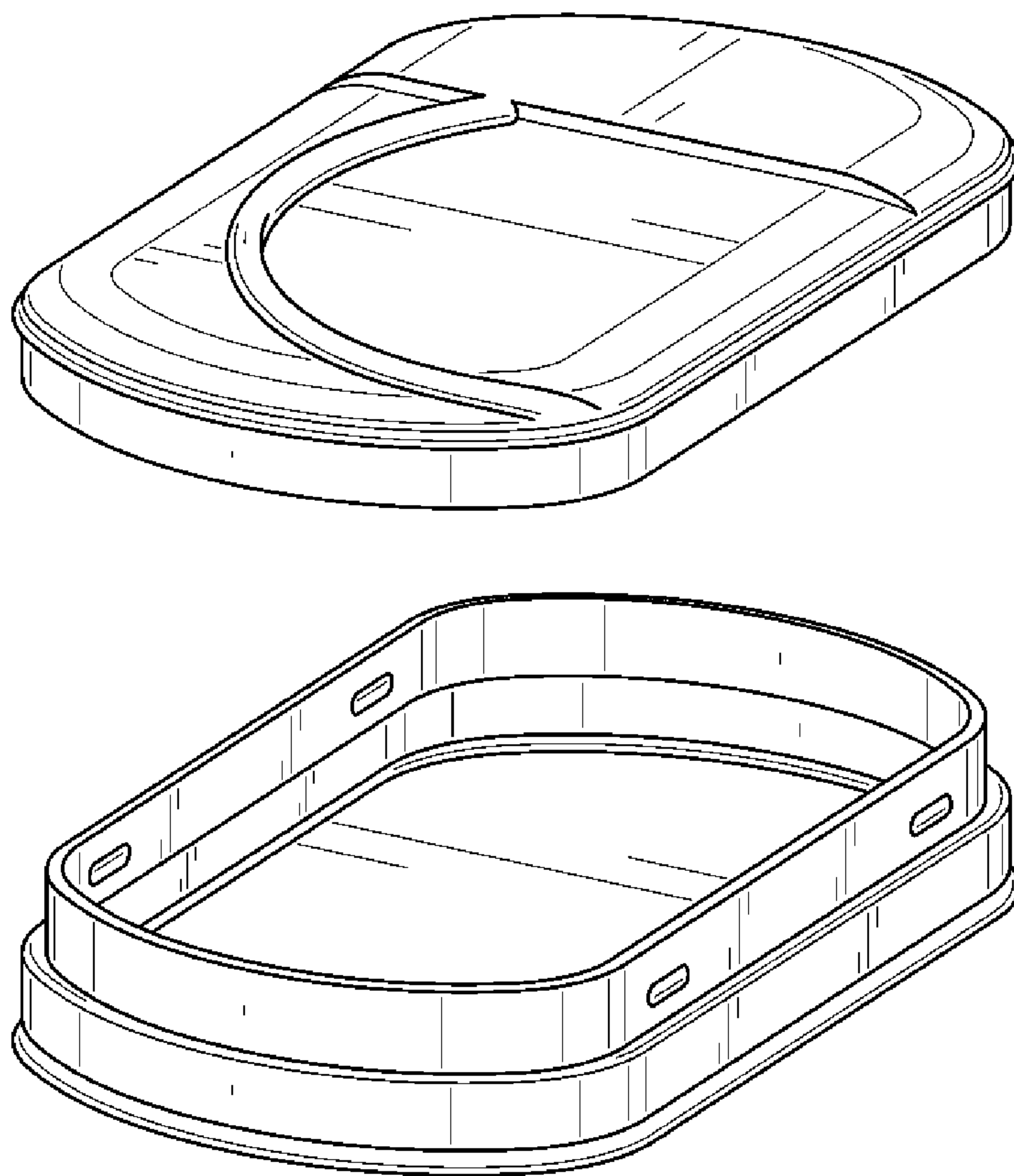


FIG. 10



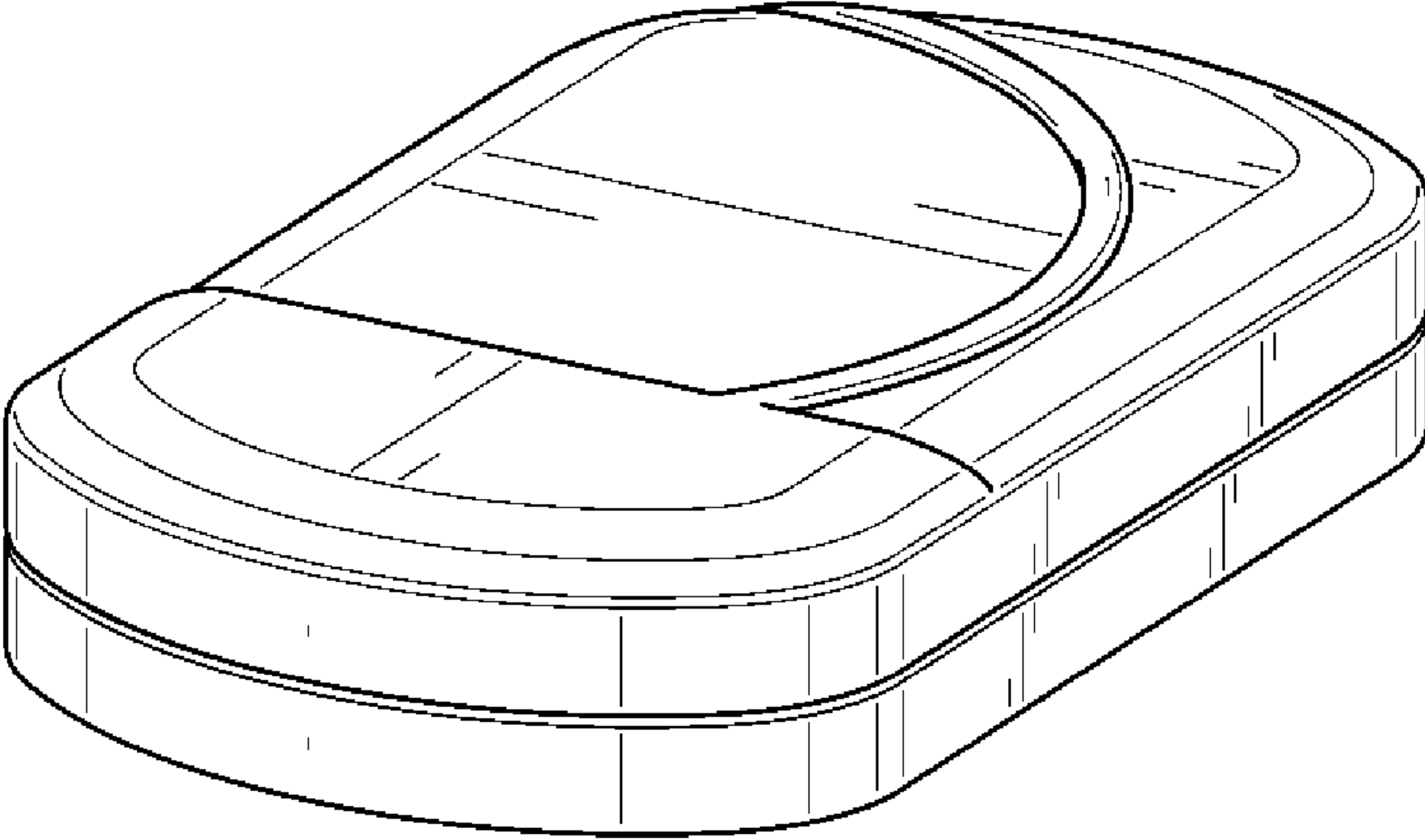


FIG. 11

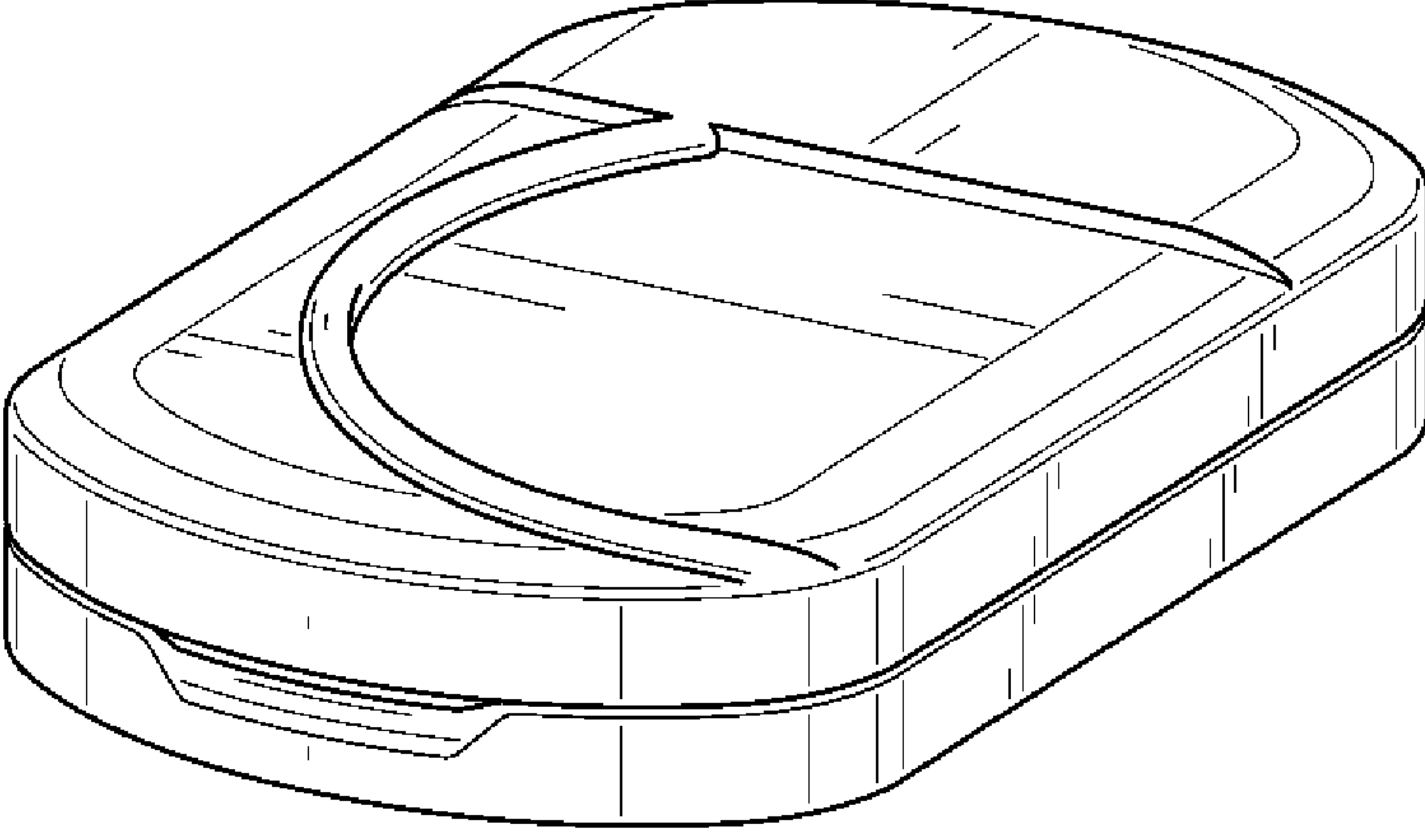


FIG. 12

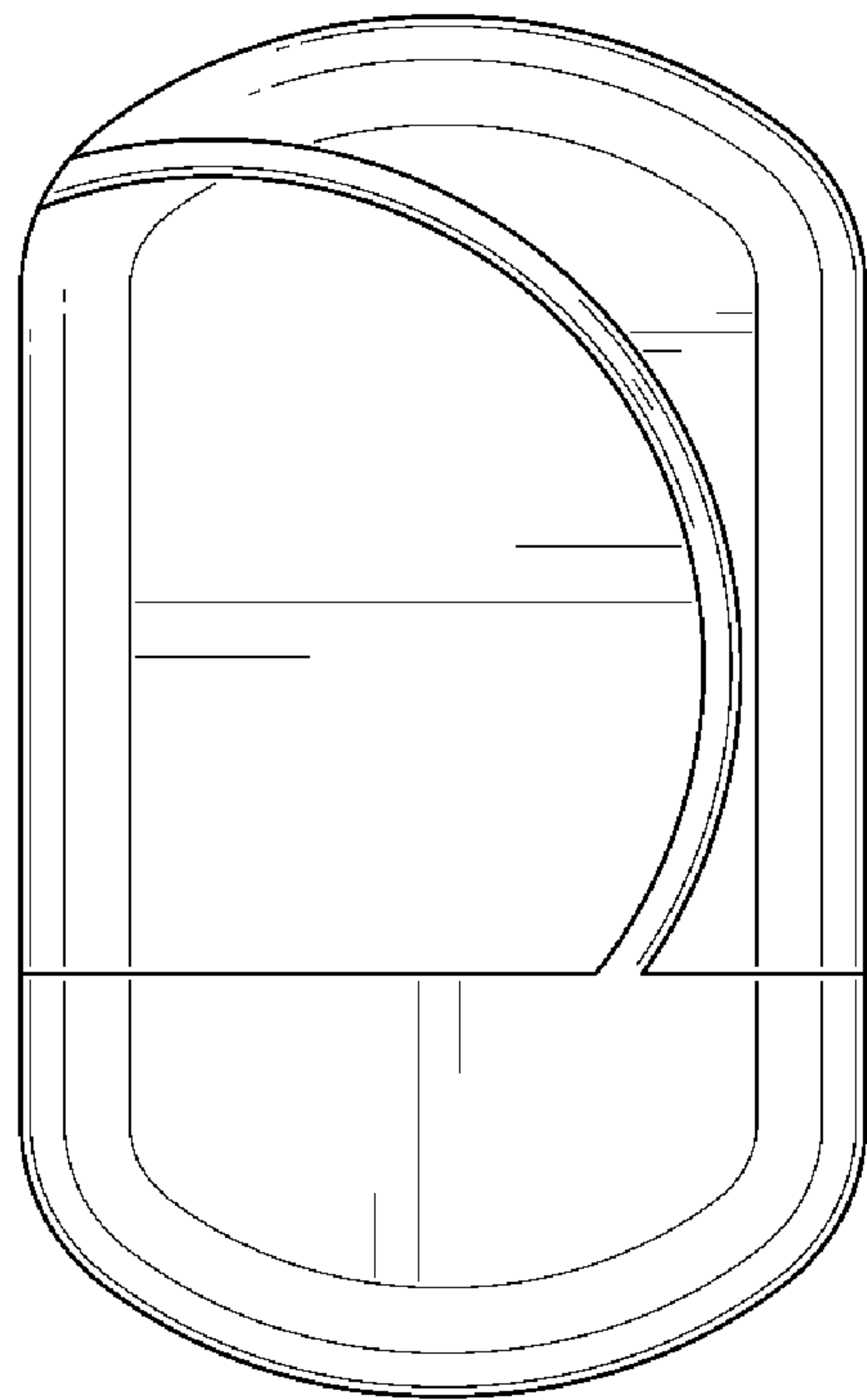


FIG. 13

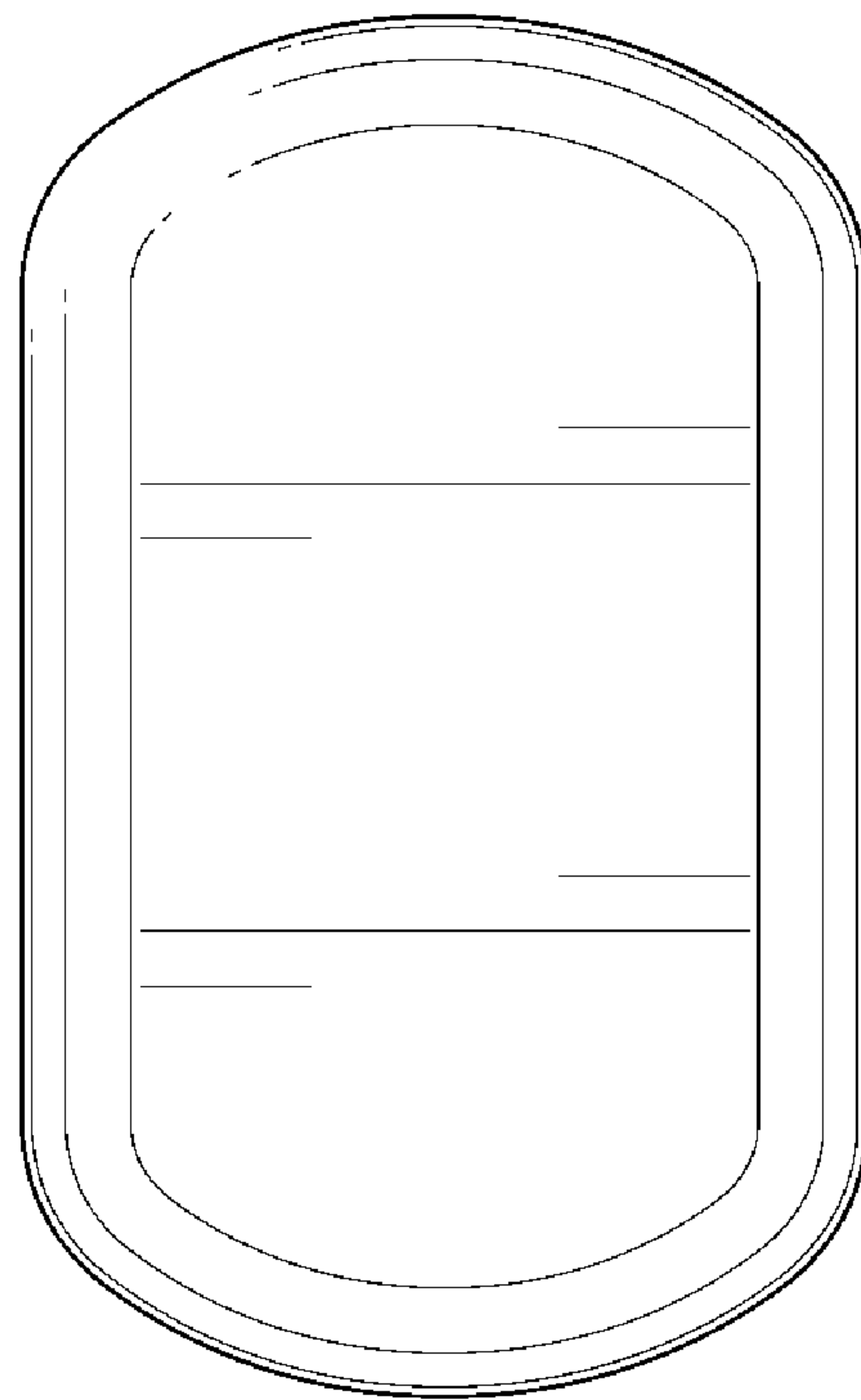


FIG. 14

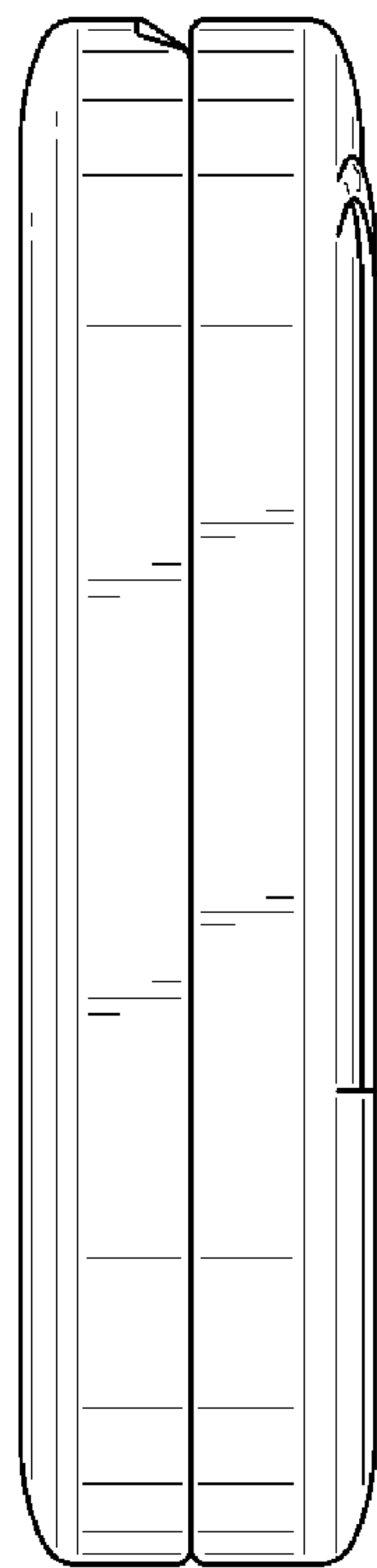


FIG. 15

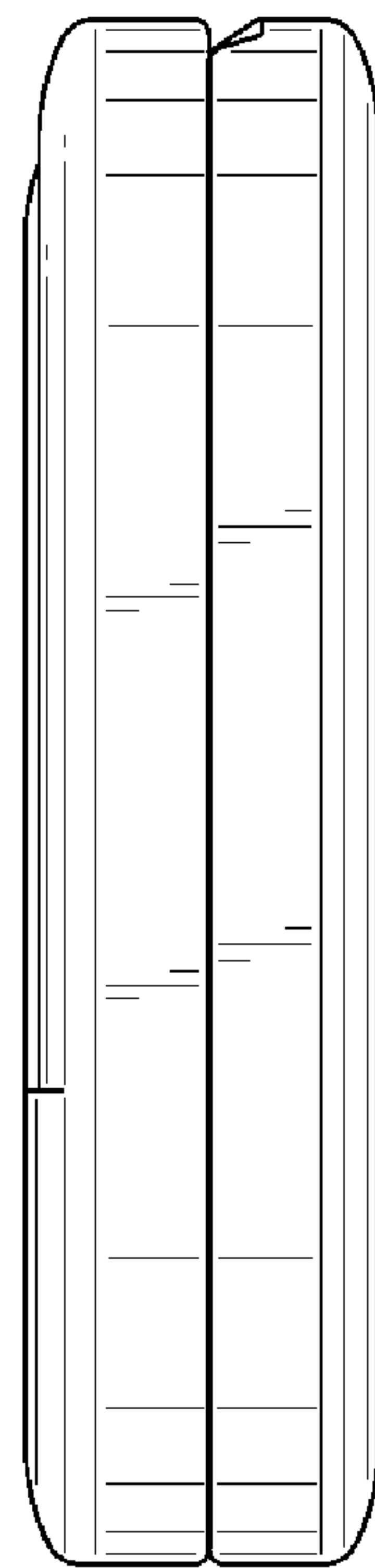


FIG. 16

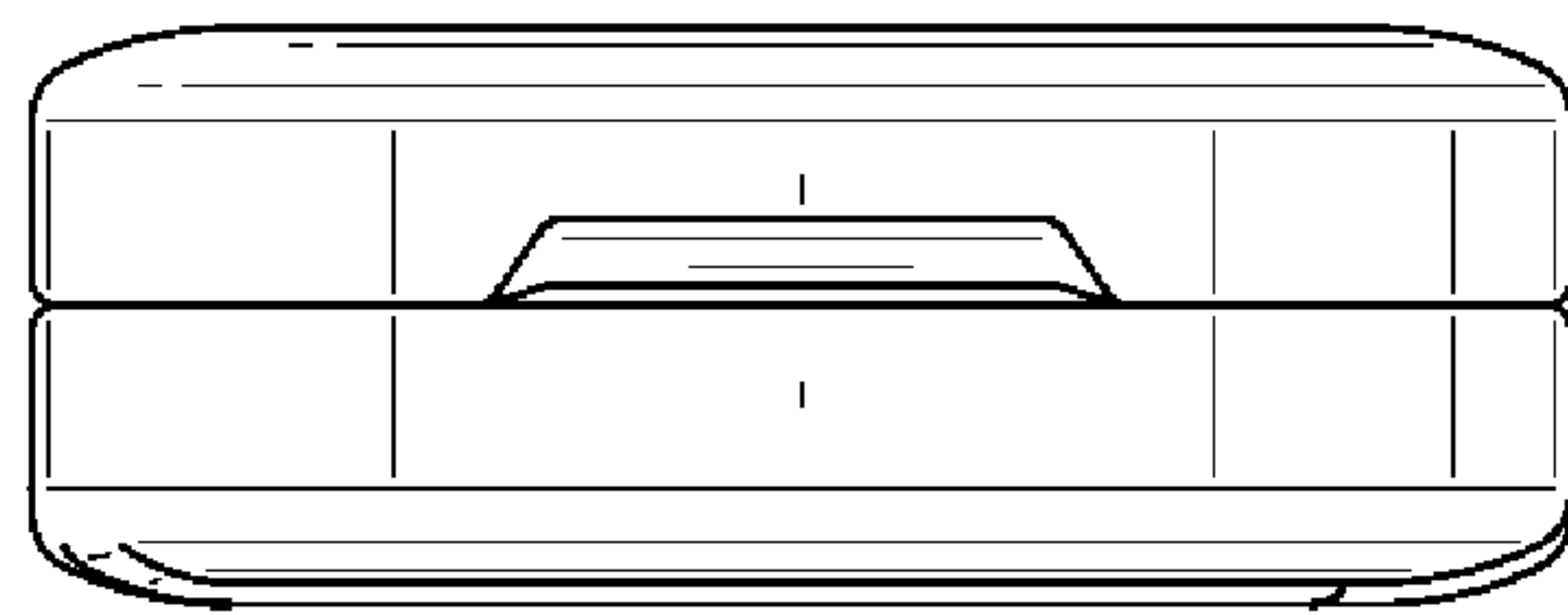


FIG. 17

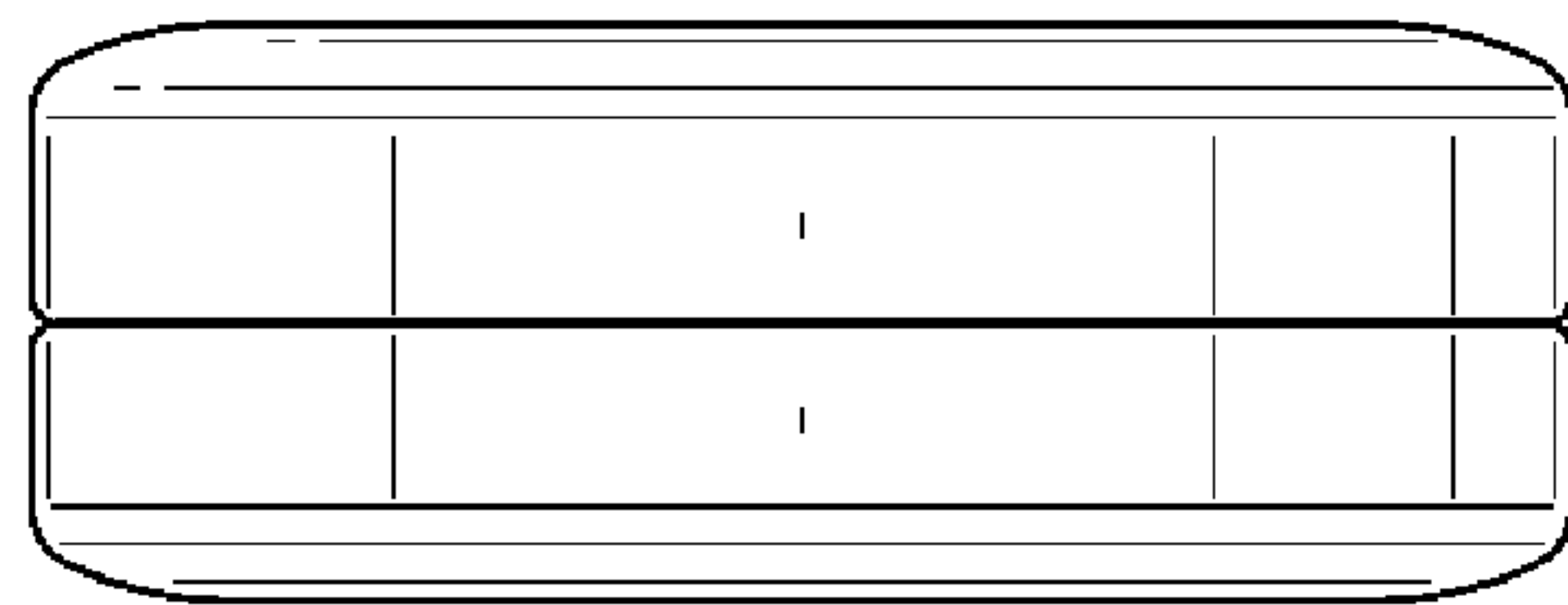


FIG. 18

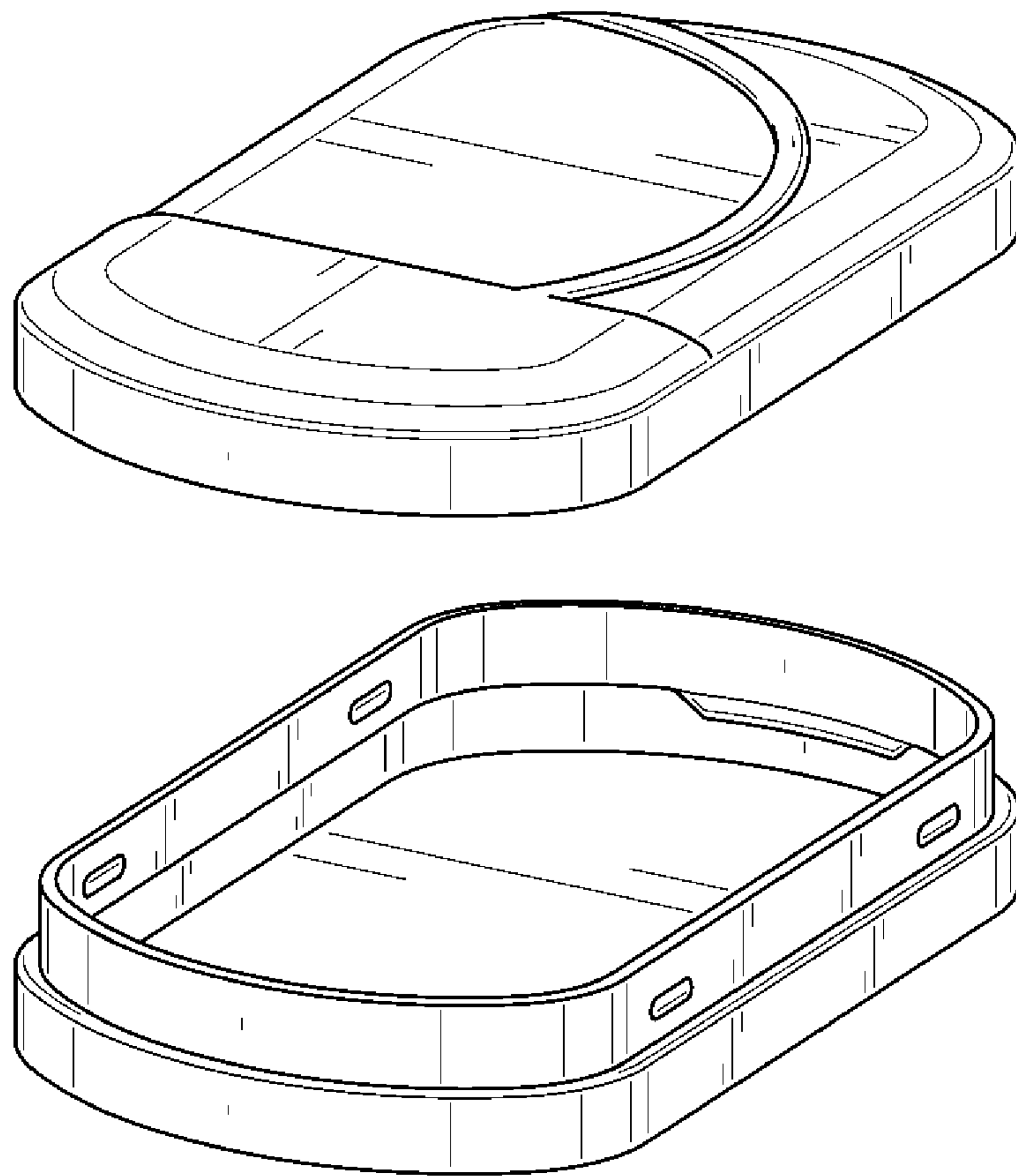


FIG. 19



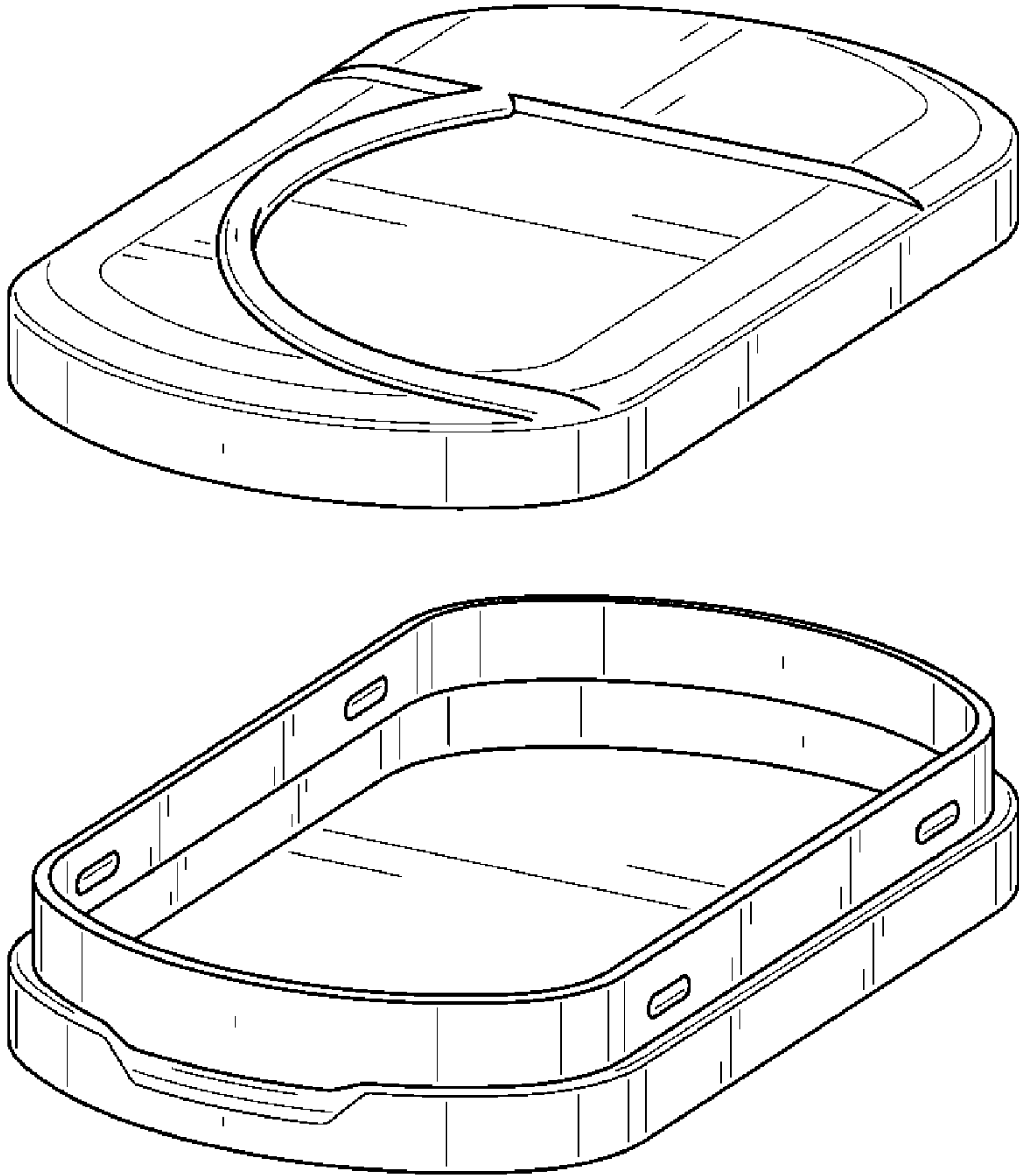


FIG. 20

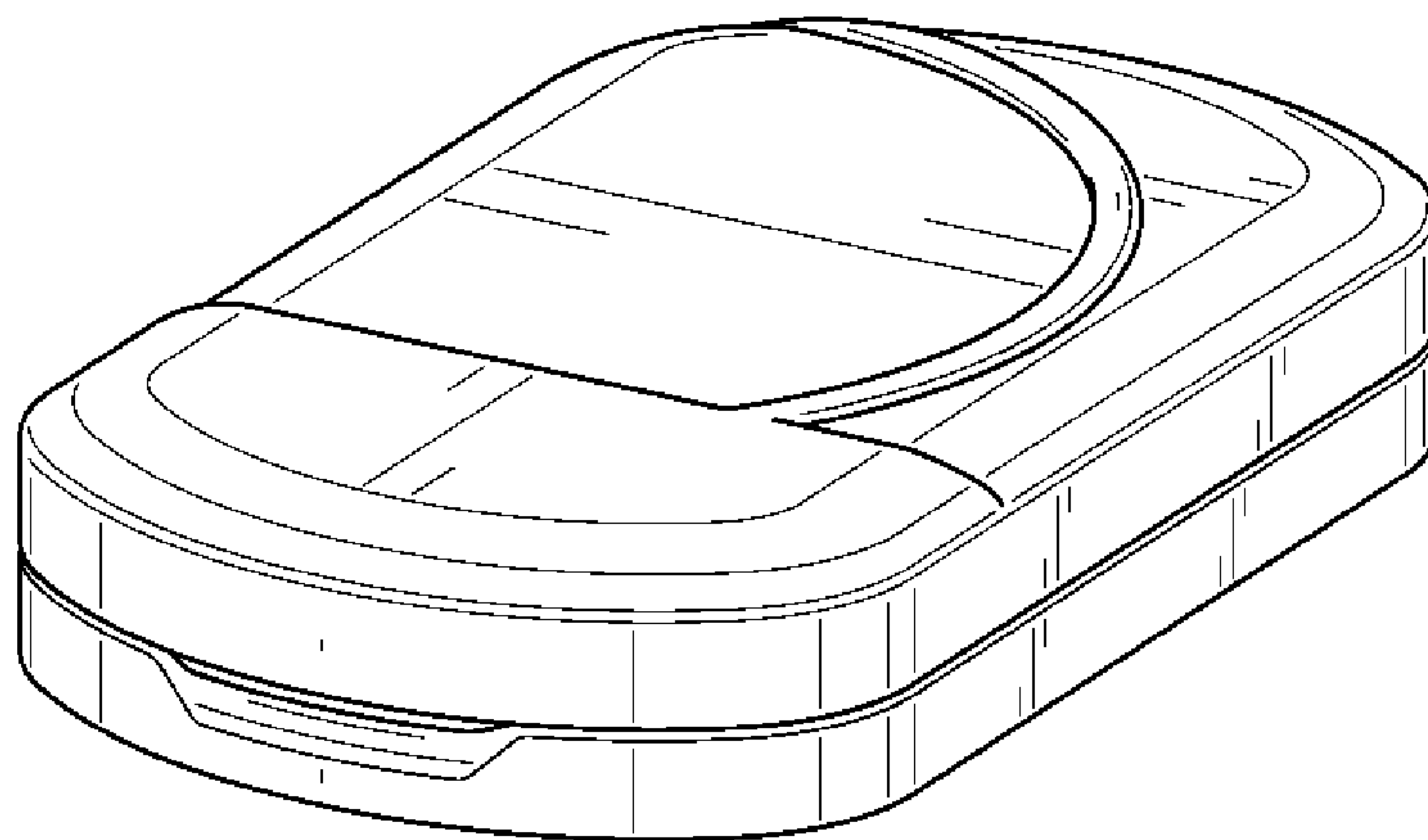


FIG. 21

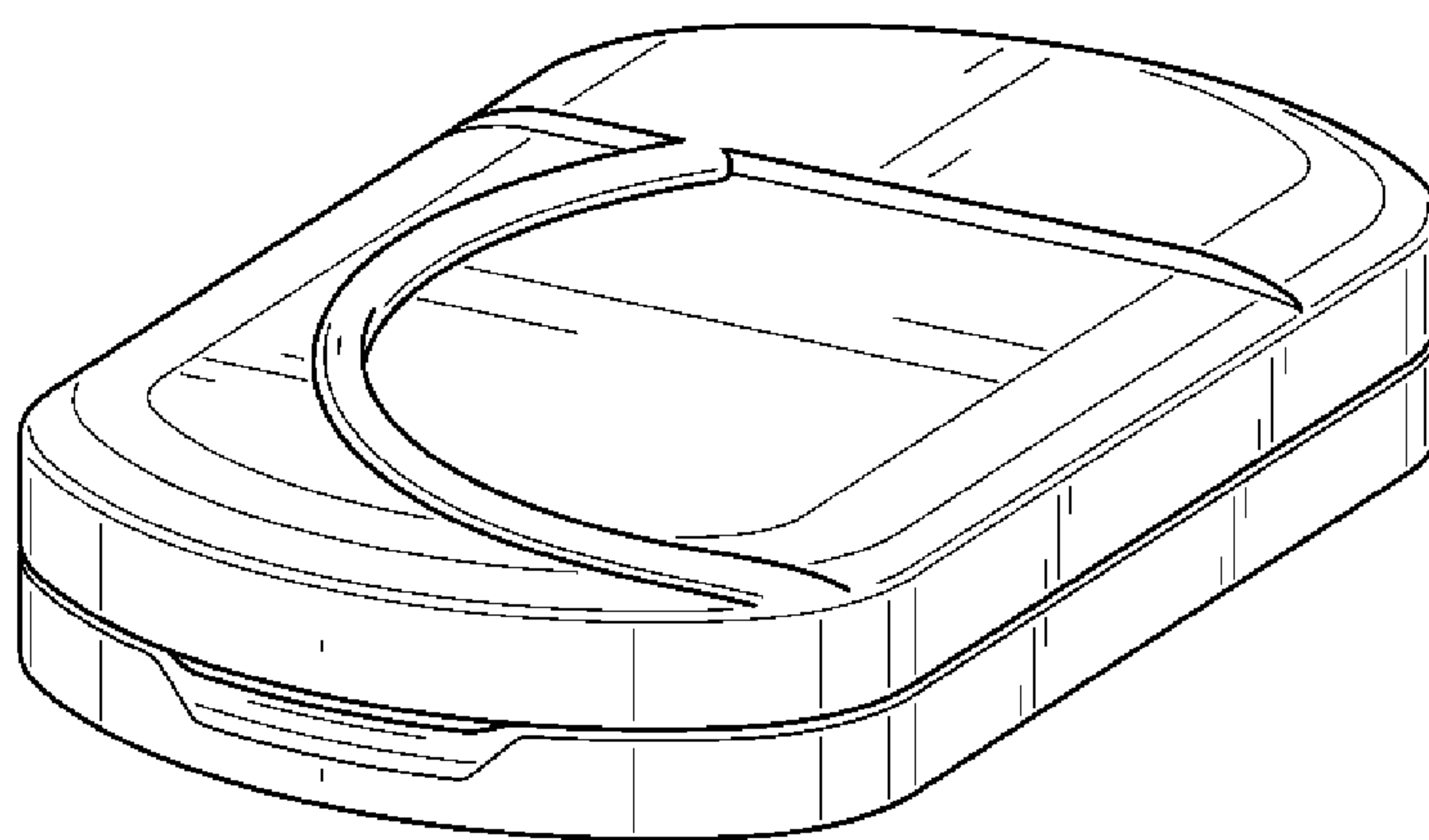


FIG. 22

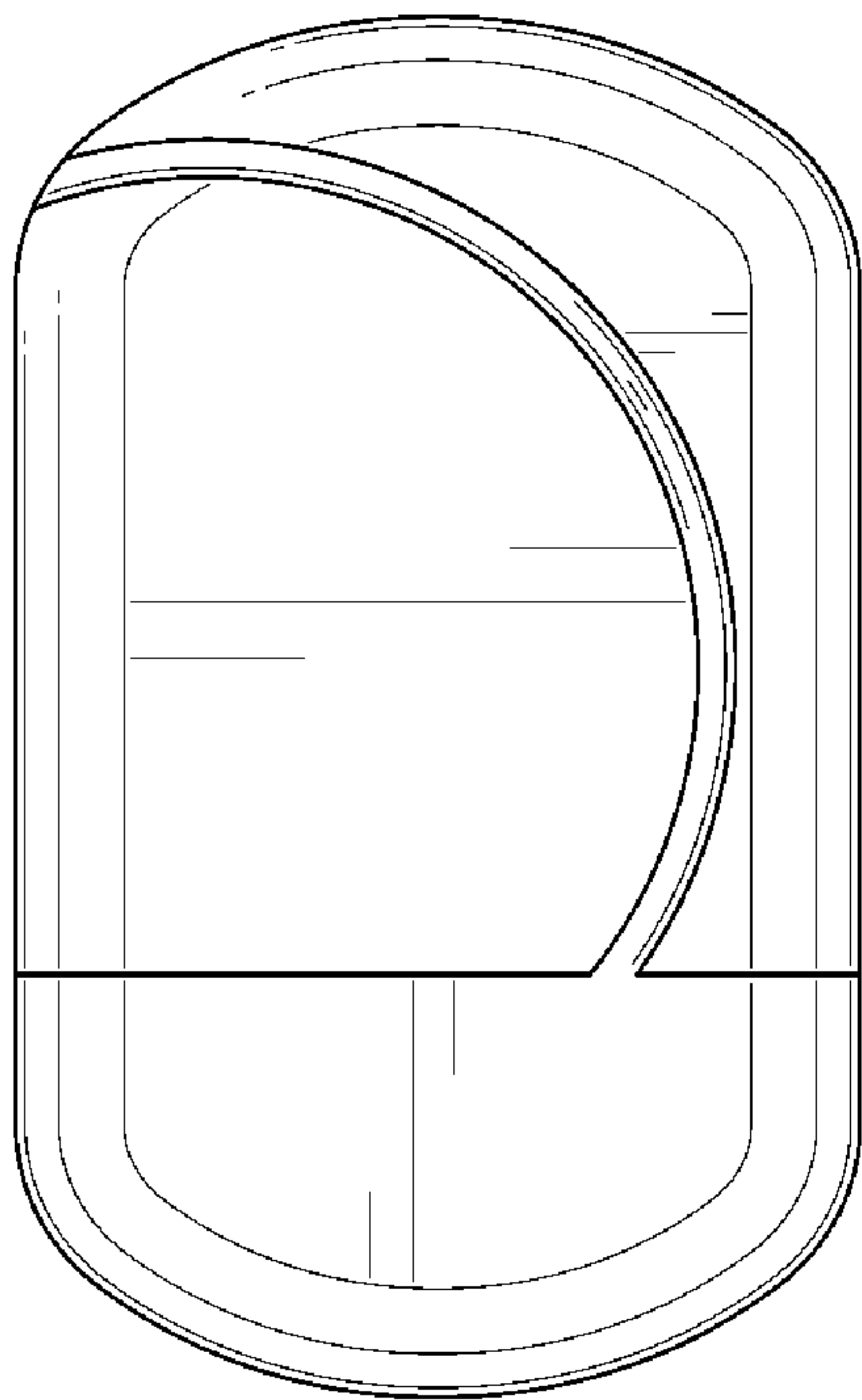


FIG. 23

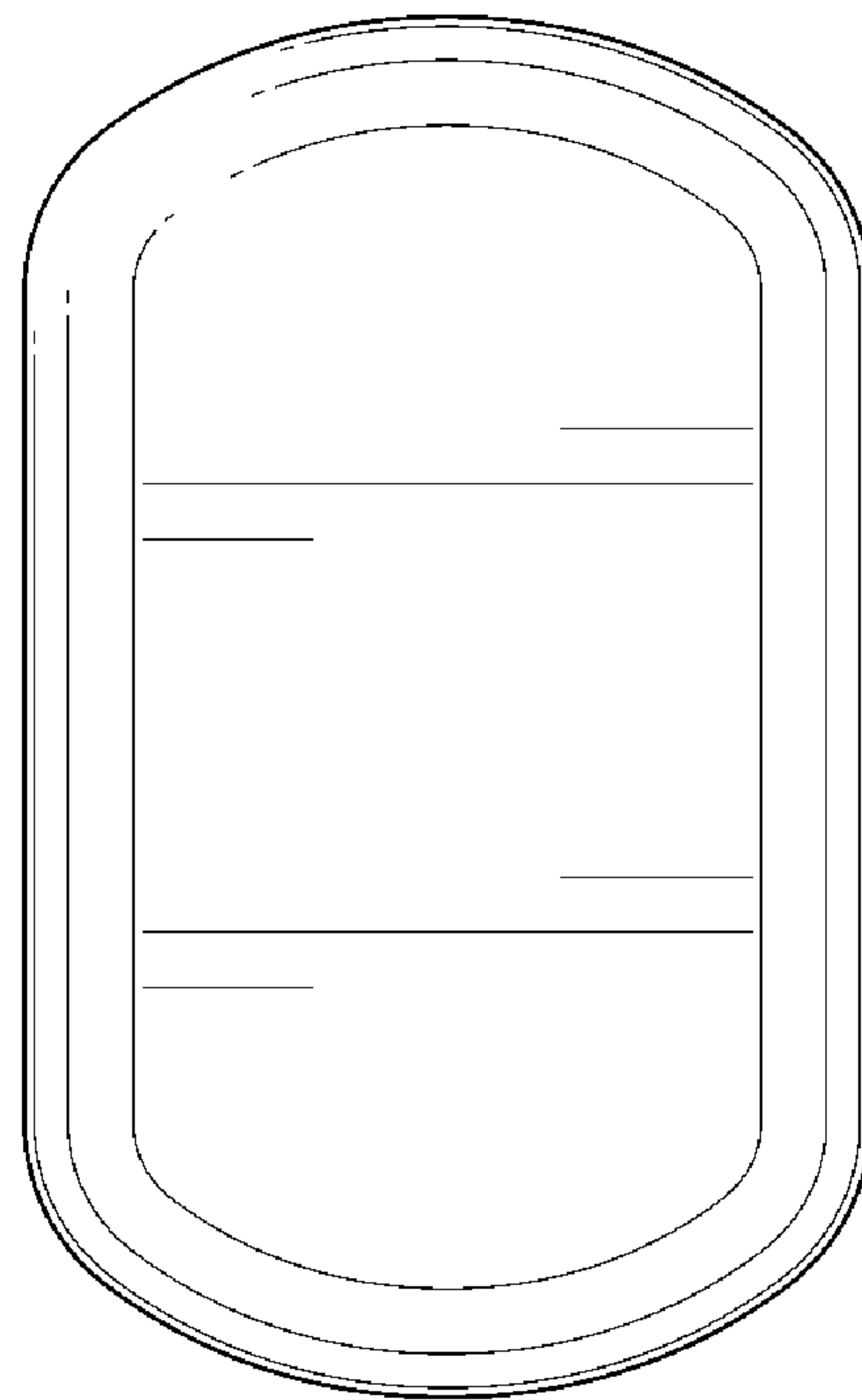


FIG. 24

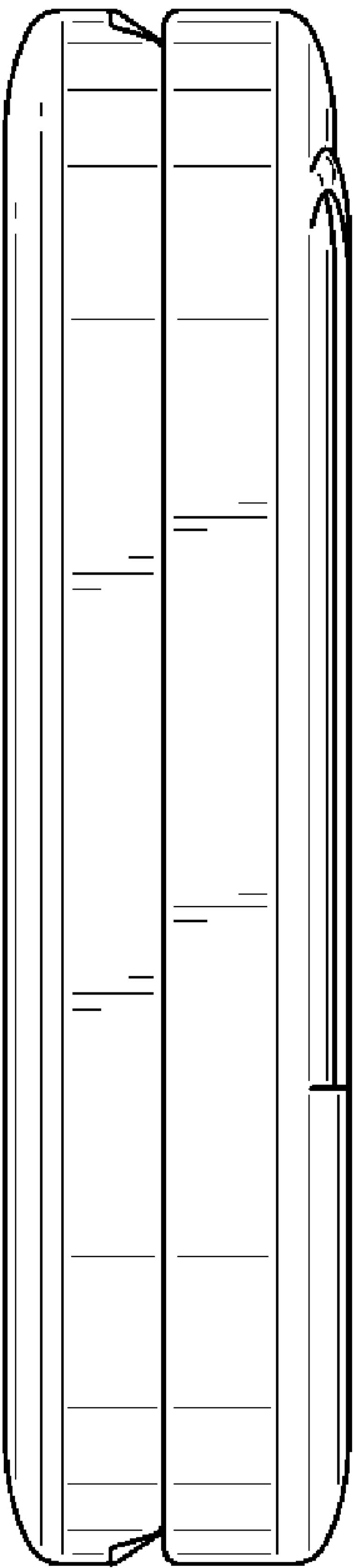


FIG. 25

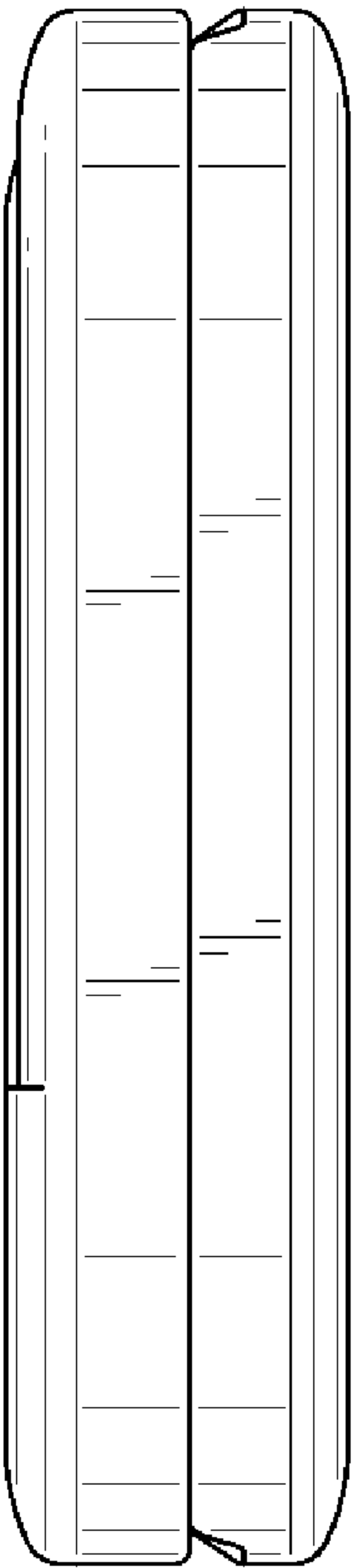


FIG. 26

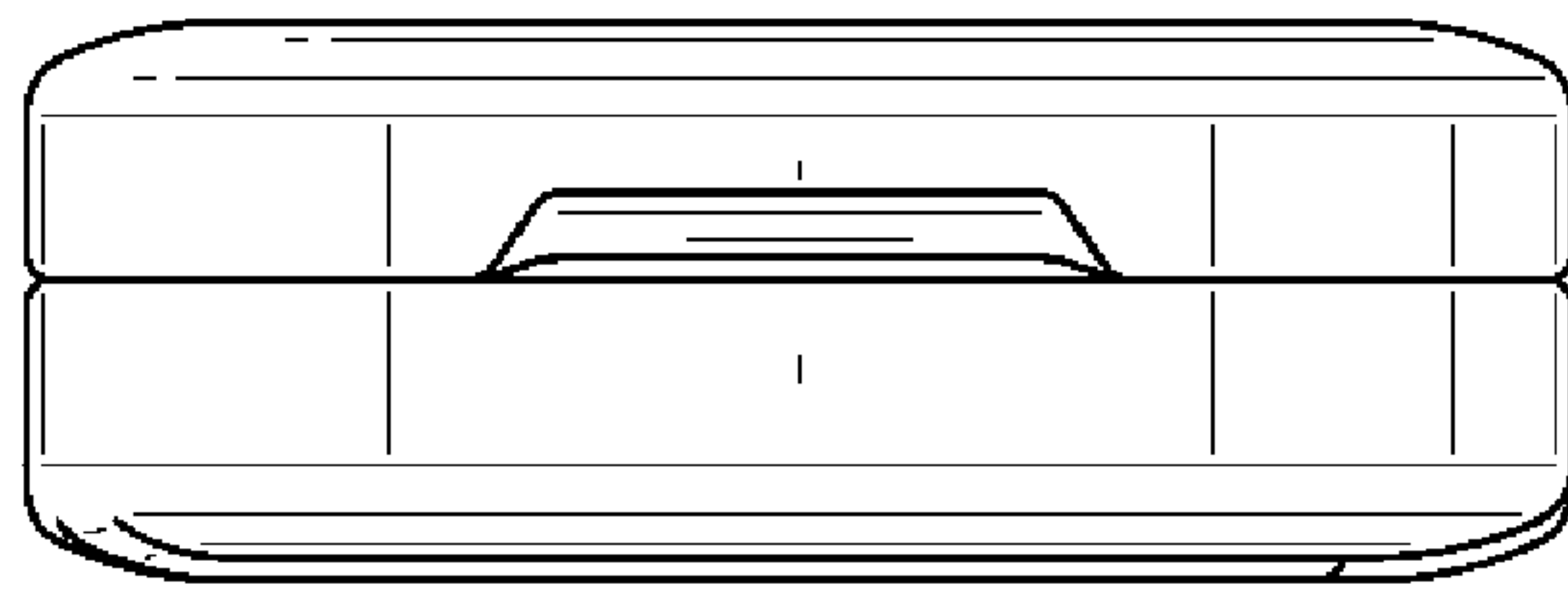


FIG. 27

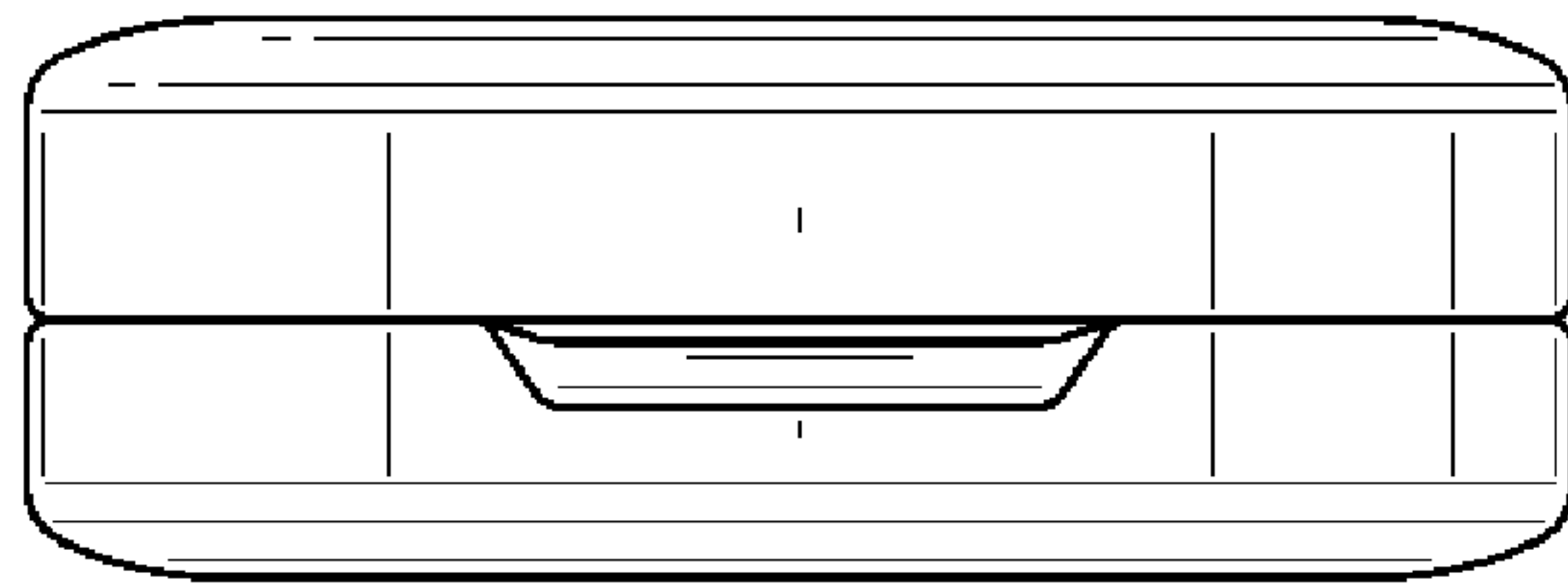


FIG. 28



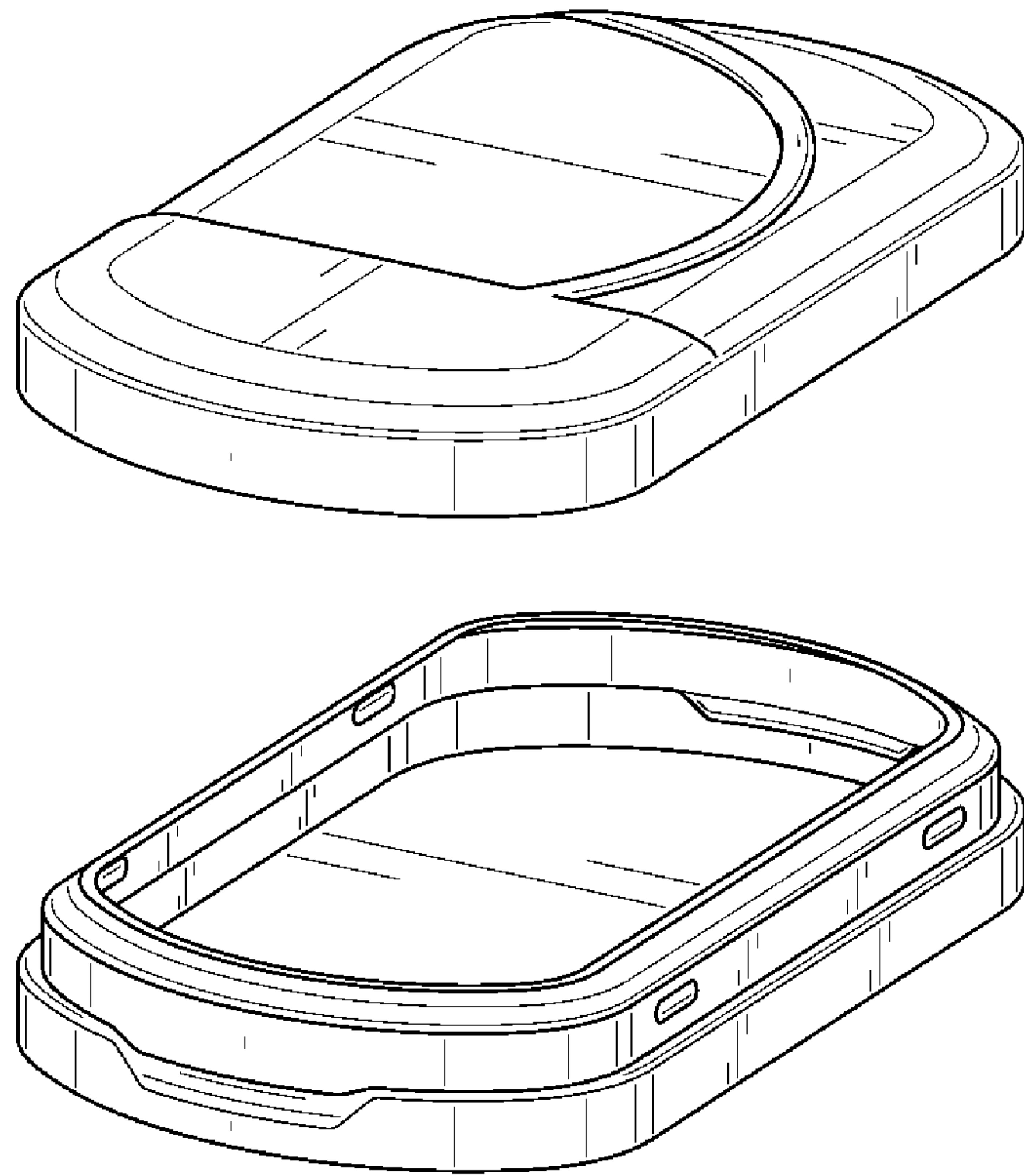


FIG. 29

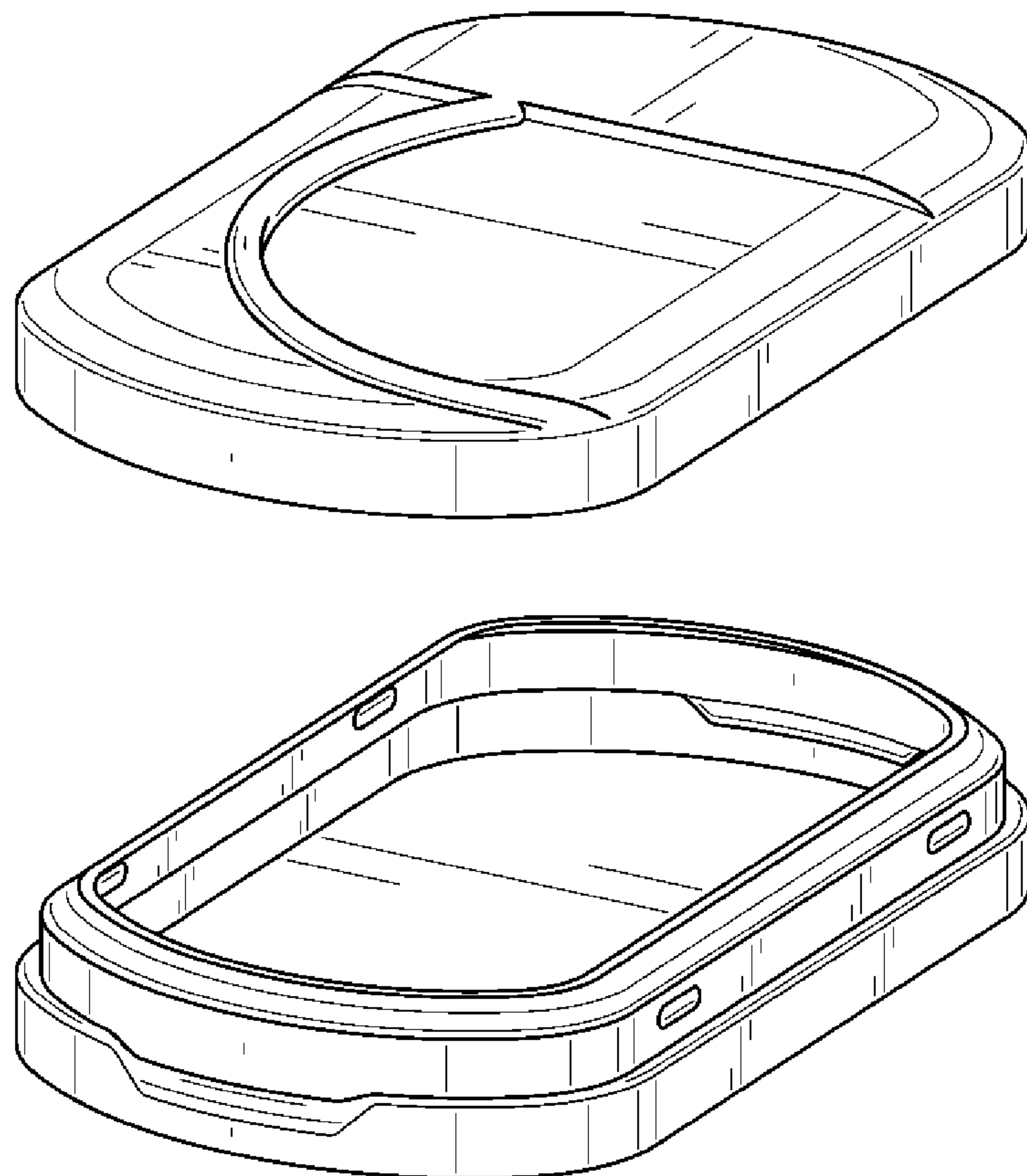


FIG. 30