



US00D675515S

(12) **United States Design Patent**  
**Villiers et al.**

(10) **Patent No.:** **US D675,515 S**  
(45) **Date of Patent:** **\*\* Feb. 5, 2013**

(54) <b>PACKAGE</b>	3,944,066 A	3/1976	Niepmann
	3,977,520 A	8/1976	Grimm
(75) Inventors: <b>David Robert Villiers</b> , London (GB); <b>Paul Hodges</b> , London (GB)	4,015,769 A	4/1977	Erlich
	D250,748 S	1/1979	Leger
(73) Assignee: <b>British American Tobacco (Holdings)</b> <b>Limited</b> , London (GB)	4,245,771 A	1/1981	Christian
	D263,121 S	2/1982	Lowry
	D283,310 S	4/1986	Sussman
	D296,938 S	7/1988	Ameringen
(**) Term: <b>14 Years</b>	4,850,482 A	7/1989	Campbell
	4,948,038 A	8/1990	Moeller
(21) Appl. No.: <b>29/426,937</b>	D320,556 S	10/1991	Fairhurst
	5,097,948 A	3/1992	Campbell
(22) Filed: <b>Jul. 11, 2012</b>	D328,427 S	8/1992	Serna
	5,160,024 A	11/1992	Evers

(Continued)

**Related U.S. Application Data**

(62) Division of application No. 29/369,393, filed on Sep. 8, 2010.

**FOREIGN PATENT DOCUMENTS**

CL	1364-02	10/2003
CL	1820-03	6/2004

(Continued)

(30) **Foreign Application Priority Data**

Mar. 8, 2010 (WO) ..... DM/073 216

(51) **LOC (9) Cl.** ..... **09-03**

(52) **U.S. Cl.** ..... **D9/420; D9/431**

(58) **Field of Classification Search** ..... D9/420,  
D9/423, 431, 432, 433, 607; 206/242, 245,  
206/265, 266, 268, 271, 273; 229/101, 125.21,  
229/125.37, 145, 212, 225, 160.1; D27/186,  
D27/189

See application file for complete search history.

(56) **References Cited**

**U.S. PATENT DOCUMENTS**

D7,109 S	1/1874	Whitman
205,273 A	6/1878	Jonas
516,024 A	3/1894	Schaefer
879,488 A	2/1908	Pitkin
1,574,566 A	2/1926	Fiske
1,669,139 A	5/1928	Martin
D101,608 S	10/1936	Ansehl
D120,557 S	5/1940	Schwarz
2,419,510 A	4/1947	Rosen
2,889,100 A	6/1959	Baker
3,327,887 A	6/1967	Walker
D219,957 S	2/1971	Spahr

**OTHER PUBLICATIONS**

<http://thesaurus.maths.org/mmkb/entry.html?jsessionid=16E5ACC94>, Downloaded From Internet Jul. 19, 2011.

(Continued)

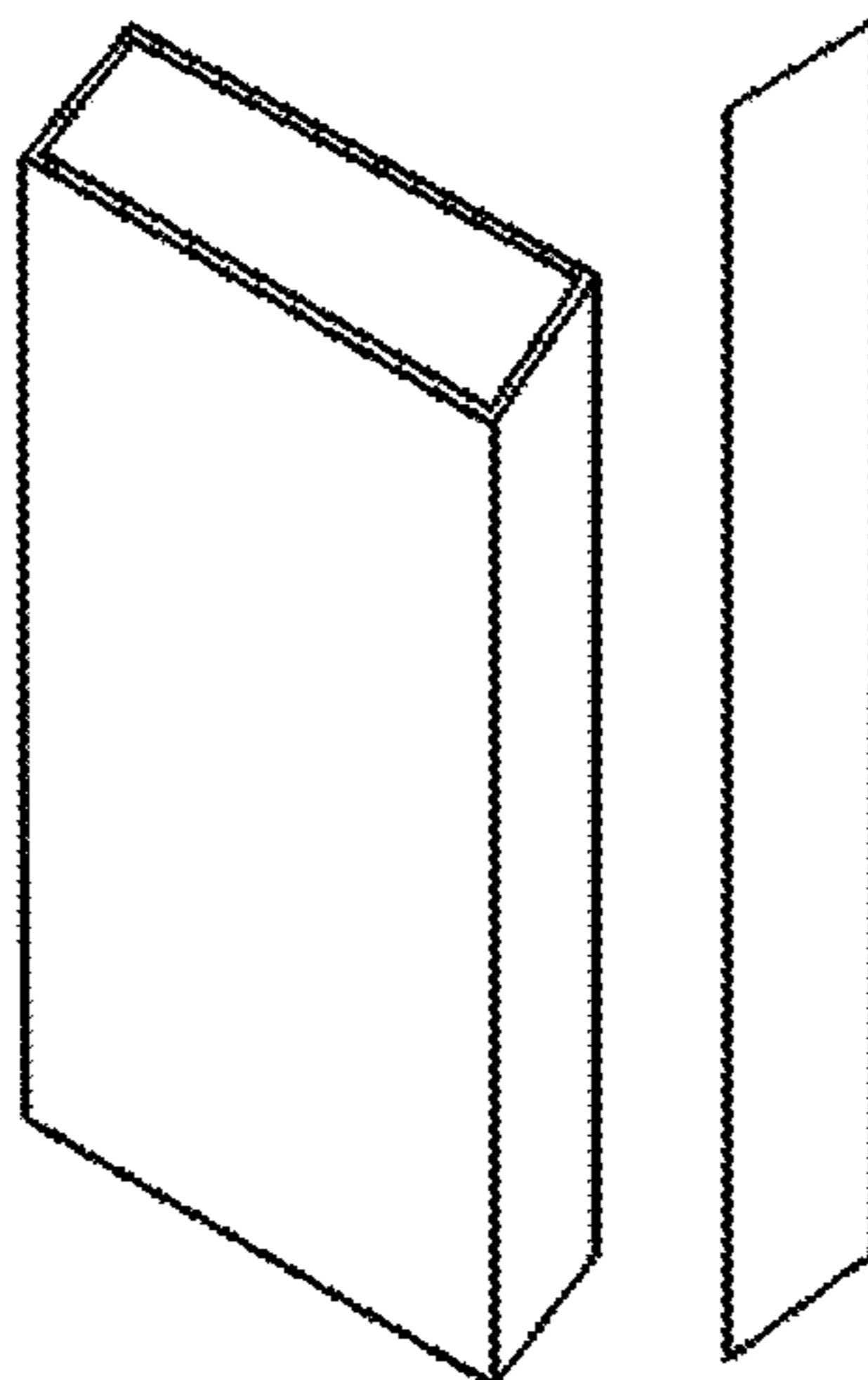
*Primary Examiner* — Thomas Johannes  
(74) *Attorney, Agent, or Firm* — Cooley LLP

(57) **CLAIM**  
The ornamental design for package, as shown and described.

**DESCRIPTION**

FIG. 1 is a right front top perspective view of a package showing our new design;  
FIG. 2 is a front view thereof;  
FIG. 3 is a rear view thereof;  
FIG. 4 is a right side view thereof, the left side view being a mirror image thereof; and,  
FIG. 5 is a top view thereof, the bottom view being a mirror image thereof.

**1 Claim, 2 Drawing Sheets**



# US D675,515 S

Page 2

## U.S. PATENT DOCUMENTS

D333,781 S 3/1993 Kobel  
D347,169 S 5/1994 Bezzerides et al.  
D359,404 S 6/1995 Svee  
D364,345 S 11/1995 Prins  
5,487,468 A 1/1996 Sheahan  
D372,146 S 7/1996 Svee  
D382,956 S 8/1997 Collins  
D383,633 S 9/1997 Schweitzer  
D386,079 S 11/1997 Harper  
D393,924 S 4/1998 Wright  
5,967,312 A 10/1999 Jacobs  
D425,415 S 5/2000 Kumakura et al.  
D429,462 S 8/2000 Kumakura et al.  
D433,942 S 11/2000 Persson et al.  
D454,494 S 3/2002 Bryan et al.  
D462,807 S 9/2002 Draghetti  
D470,049 S 2/2003 Gray, III  
D493,107 S 7/2004 Bergne  
D494,760 S 8/2004 Yuan  
D494,860 S 8/2004 Bacon  
D499,019 S 11/2004 Sagmeister et al.  
D506,133 S 6/2005 Goodfellow et al.  
D507,484 S 7/2005 Kumakura et al.  
7,175,022 B2\* 2/2007 Ito ..... 206/268  
D562,126 S 2/2008 Kienemund-Paroll  
7,370,756 B2 5/2008 Bray et al.  
7,395,924 B2 7/2008 Tambo  
D575,636 S 8/2008 Krautter  
D579,325 S 10/2008 Bray et al.  
7,455,177 B2 11/2008 Serafini et al.  
D591,899 S 5/2009 Bray et al.  
D593,406 S 6/2009 Verebelyi et al.  
D601,747 S 10/2009 Tabrah  
7,604,117 B2 10/2009 Bourgoin et al.  
D607,316 S 1/2010 Verebelyi et al.

D617,636 S 6/2010 Vanhoutte  
D629,684 S 12/2010 Drury  
2012/0006823 A1 1/2012 Bertuzzi et al.

## FOREIGN PATENT DOCUMENTS

CL 331-08 7/2008  
EM 000174644 5/2004  
EM 000360557-0001 8/2005  
EM 1001465-01 9/2008  
EM 1001465-02 9/2008  
EM 1001465-03 9/2008  
EM 000771928-02 2/2010  
ES 1065608 10/2007  
GB 2028197 1/1993  
GB 2035379 11/1993  
GB 2087212 10/1999  
GB 2093322 11/1999  
GB 3014108 8/2003  
GB 3011563 3/2007  
GB 4005385 11/2007  
WO DM/064817 12/2003

## OTHER PUBLICATIONS

[http://capsicum.me.utexas.edu/ChE386K/html/volume\\_unit\\_cell.htm](http://capsicum.me.utexas.edu/ChE386K/html/volume_unit_cell.htm), Downloaded From Internet Jul. 19, 2011.  
Official Action, issued for Chilean Application No. 953-10, filed Sep. 8, 2010.  
Official Action, issued for Chilean Application No. 954-10, filed Sep. 8, 2010.  
Official Action, issued for Chilean Application No. 955-10, filed Sep. 8, 2010.  
Official Action, issued for Chilean Application No. 956-10, filed Sep. 8, 2010.  
Official Action, issued for Chilean Application No. 957-10, filed Sep. 8, 2010.

\* cited by examiner

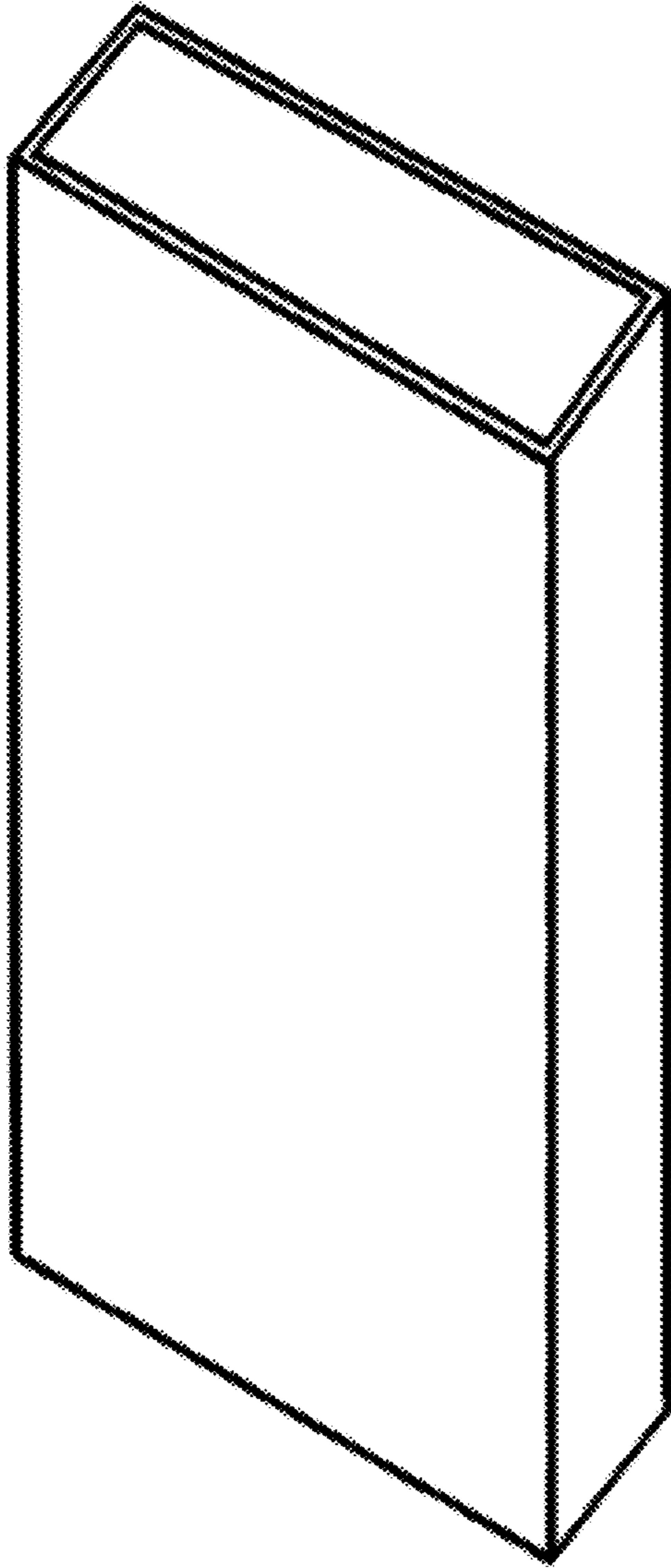


FIGURE 1

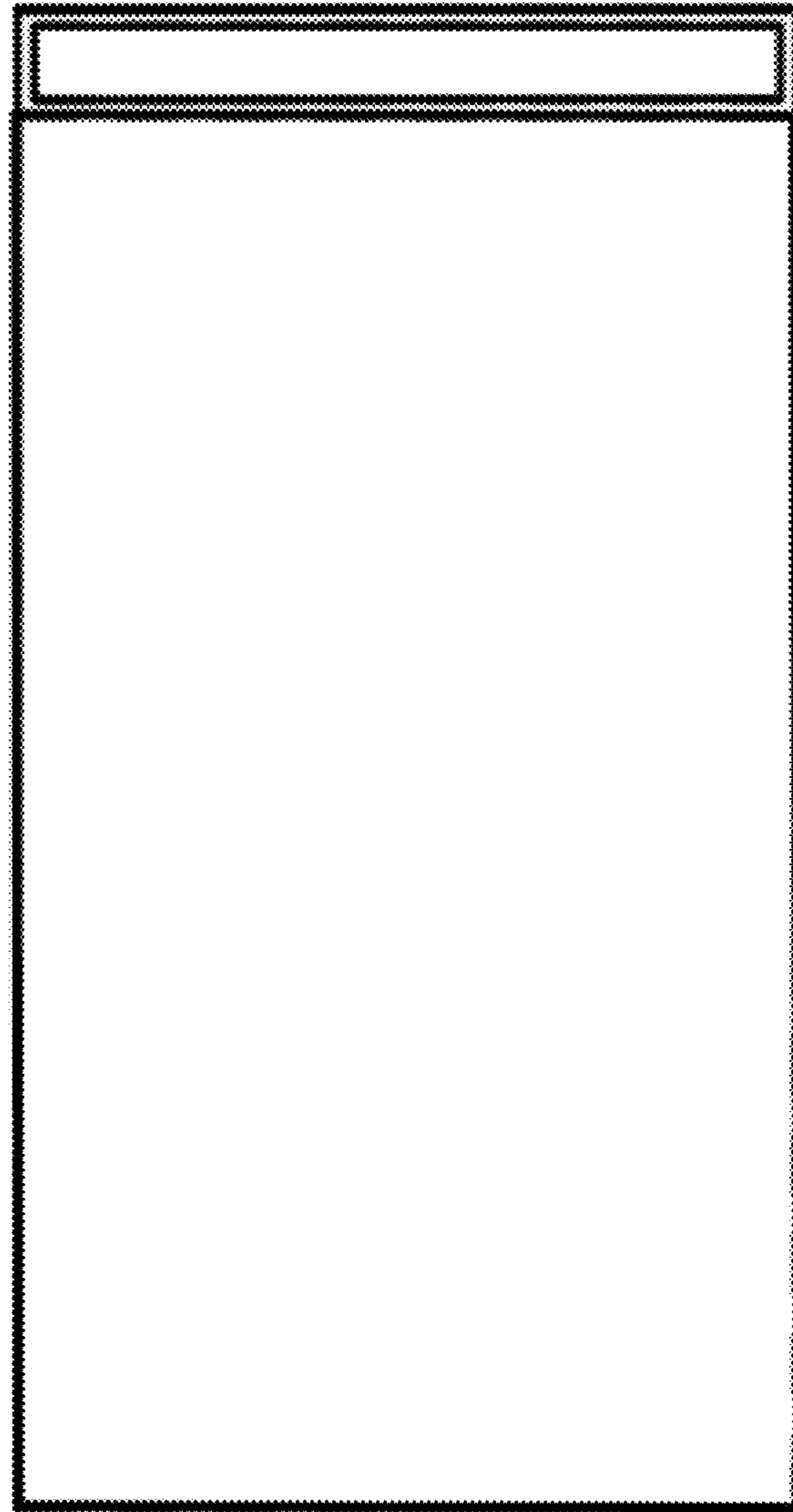


FIGURE 2

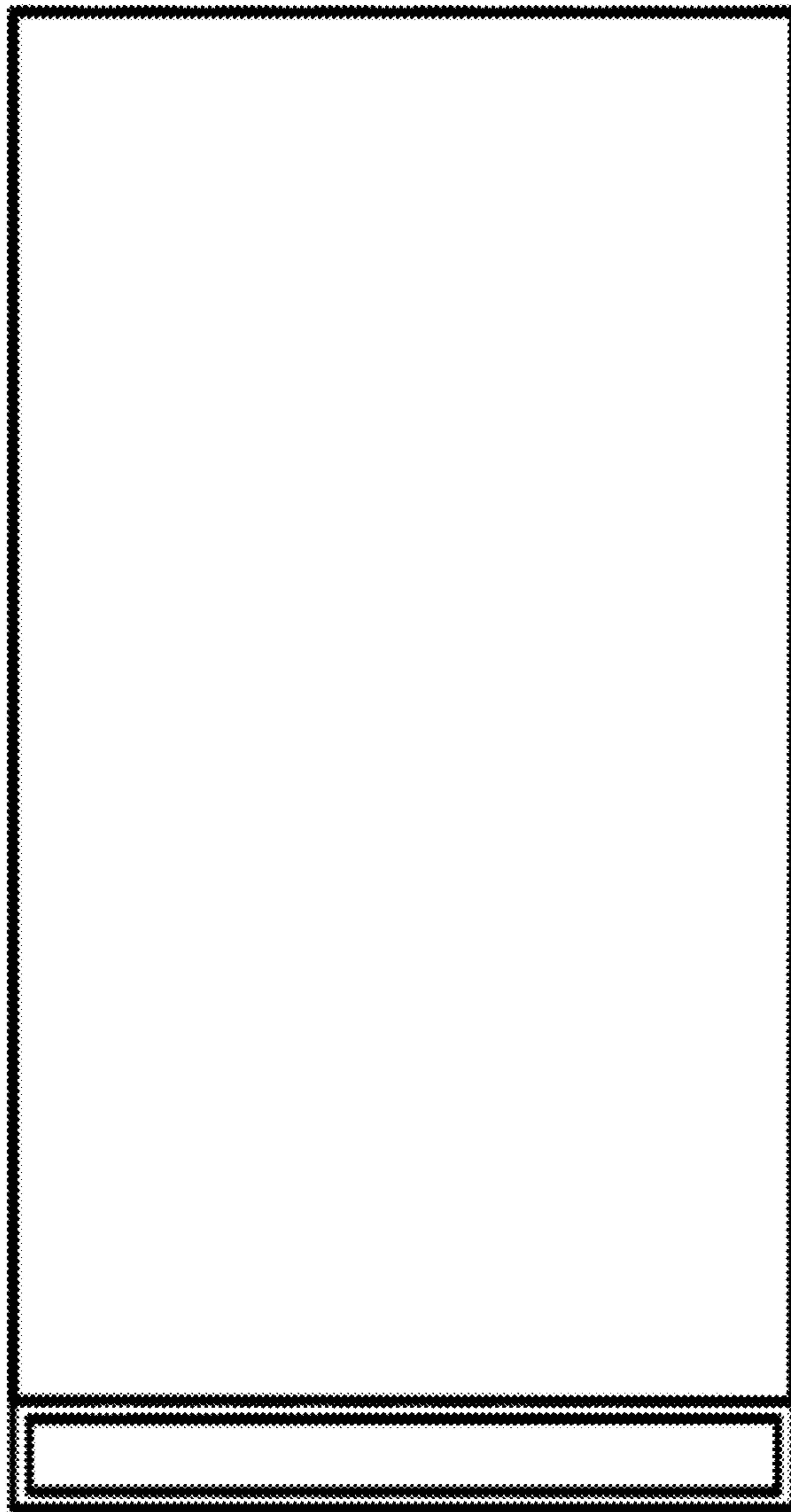


FIGURE 3

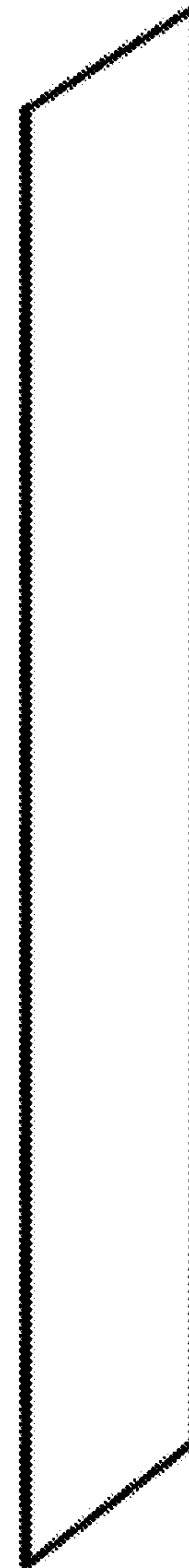


FIGURE 4



FIGURE 5

UNITED STATES PATENT AND TRADEMARK OFFICE  
**CERTIFICATE OF CORRECTION**

PATENT NO. : D675,515 S  
APPLICATION NO. : 29/426937  
DATED : February 5, 2013  
INVENTOR(S) : David Robert Villiers et al.

Page 1 of 1

It is certified that error appears in the above-identified patent and that said Letters Patent is hereby corrected as shown below:

On the title page (page 2):

Item (56) Foreign Patent Documents, delete "GB 3011563 3/2007" and replace with  
--GB 3011563 3/2003--

Signed and Sealed this  
Twenty-third Day of April, 2013



Teresa Stanek Rea  
*Acting Director of the United States Patent and Trademark Office*