



US00D675514S

(12) **United States Design Patent**
Baker

(10) **Patent No.:** **US D675,514 S**

(45) **Date of Patent:** **** Feb. 5, 2013**

(54) **CARTON WITH A DISPENSER PARTIALLY
DEFINED BY A TEAR LINE**

2005/0017062 A1 1/2005 Weintraub et al.
2007/0262086 A1* 11/2007 Cook et al. 221/305
2010/0127061 A1 5/2010 Burke et al.

(75) Inventor: **Mark P. Baker**, Ft. Wayne, IN (US)

(73) Assignee: **Graphic Packaging International, Inc.**,
Marietta, GA (US)

(**) Term: **14 Years**

(21) Appl. No.: **29/398,334**

(22) Filed: **Jul. 29, 2011**

(51) **LOC (9) Cl.** **09-03**

(52) **U.S. Cl.** **D9/416**

(58) **Field of Classification Search** D9/414-418,
D9/430-433, 425, 730, 761, 759, 756, 734,
D9/737; 206/223, 484, 525, 530, 829, 824,
206/62.13; 221/63, 305; 229/200, 125.39,
229/122, 242, 240, 205, 207, 165, 924; 428/542.8
See application file for complete search history.

(56) **References Cited**

U.S. PATENT DOCUMENTS

1,525,040	A *	2/1925	Painter	221/59
3,019,944	A *	2/1962	Nelson et al.	221/302
3,148,824	A *	9/1964	Foster et al.	428/43
3,155,273	A *	11/1964	Cote	221/63
4,792,082	A	12/1988	Williamson		
4,946,041	A	8/1990	Poole		
D477,780	S	7/2003	Springer et al.		
6,672,475	B1	1/2004	Ho et al.		
6,959,834	B2	11/2005	McDonald		
7,028,860	B2 *	4/2006	Behnke et al.	221/49
7,377,391	B2	5/2008	Long et al.		
7,568,594	B2	8/2009	Long		
7,775,958	B2	8/2010	Mukai et al.		
7,891,543	B2	2/2011	Abel et al.		
7,926,703	B2	4/2011	Kleinsmith		
2005/0000976	A1 *	1/2005	Keberlein	221/63

OTHER PUBLICATIONS

2009 <http://tjerkjan.prosite.com/40555/383700/gallery/art-school-final-exam-from-home>[Oct. 4, 2012 1:32:20 PM].*
2009 <http://www.shops.ca/page.ch2?uid=CF69s2>[Oct. 4, 2012 1:34:37 PM].*
<http://www.squidoo.com/unique-toilet-paper-holder>[Oct. 4, 2012 4:04:16 PM].*
[http://www.flickr.com/photos/27697220@N02/6468282837/?q=house shaped boxes](http://www.flickr.com/photos/27697220@N02/6468282837/?q=house%20shaped%20boxes)[Oct. 4, 2012 10:28:11 AM].*

* cited by examiner

Primary Examiner — Robert M Spear

Assistant Examiner — Rhea Shields

(74) *Attorney, Agent, or Firm* — Womble Carlyle Sandridge & Rice, LLP

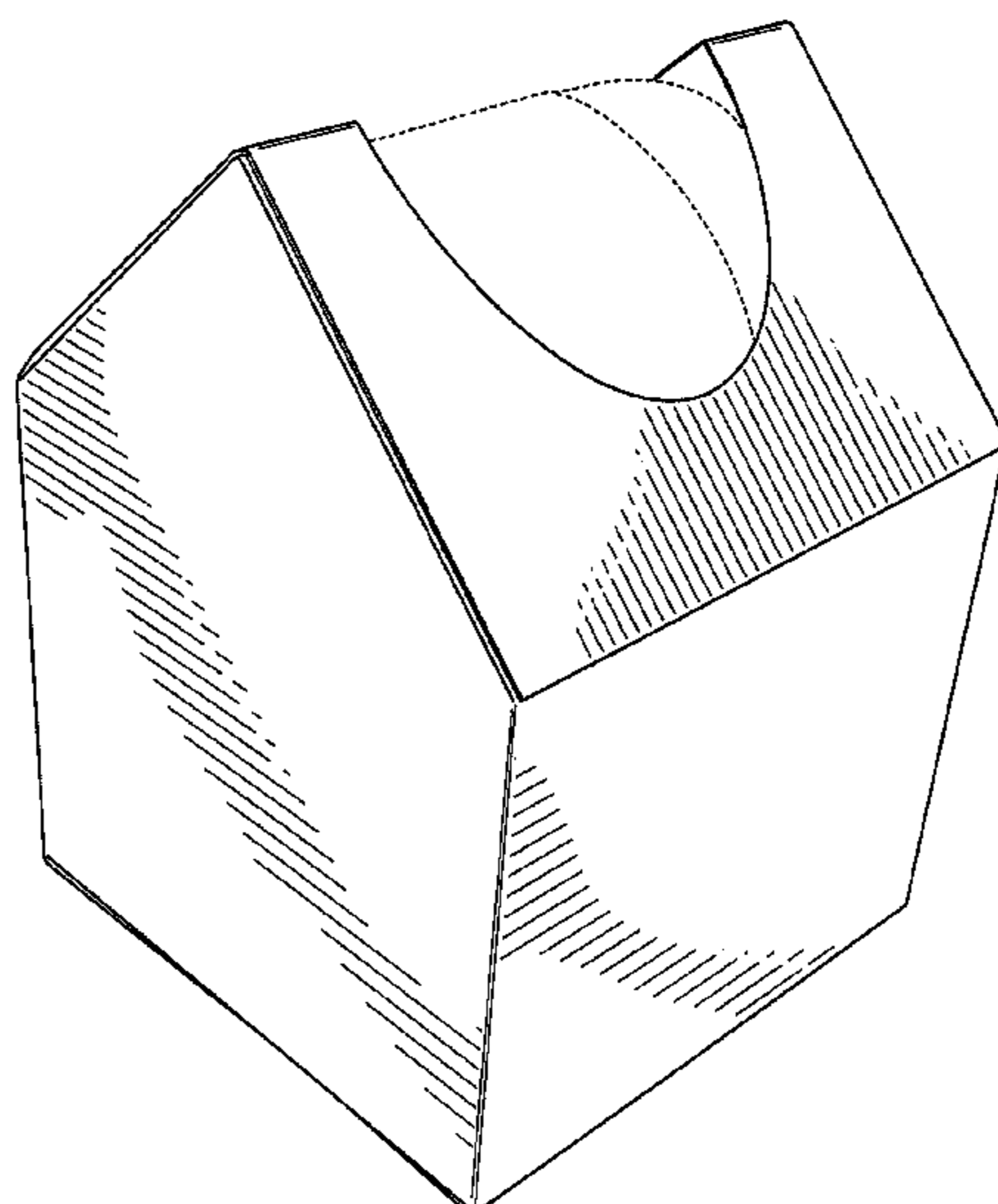
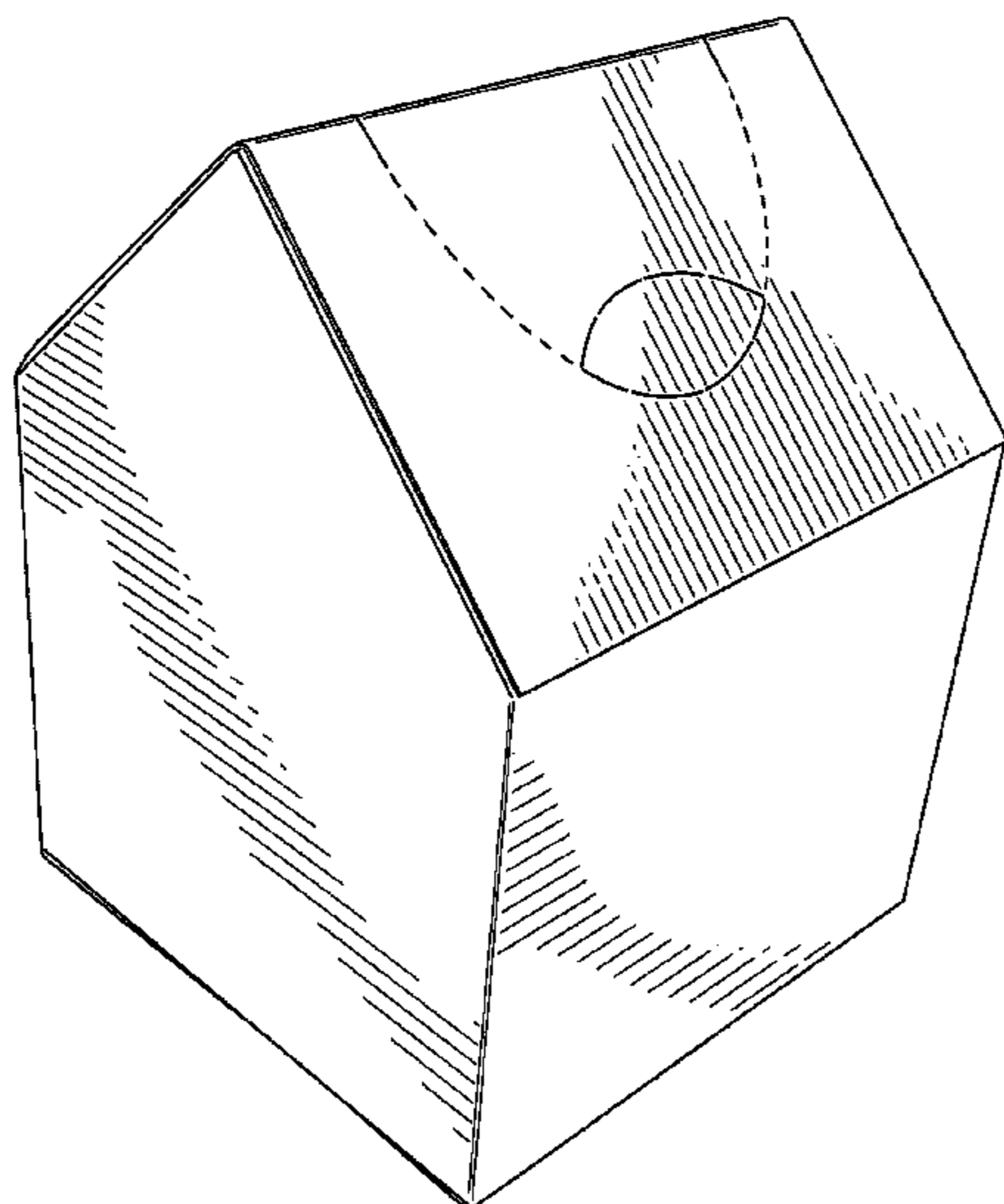
(57) **CLAIM**

The ornamental design for a carton with a dispenser partially defined by a tear line, as shown and described.

DESCRIPTION

FIG. 1 is a perspective view of a carton with a dispenser partially defined by a tear line showing my new design; FIG. 2 is a left side elevation view of the carton of FIG. 1; FIG. 3 is a right side elevation view of the carton of FIG. 1; FIG. 4 is a front elevation view of the carton of FIG. 1; FIG. 5 is a rear elevation view of the carton of FIG. 1; FIG. 6 is a top plan view of the carton of FIG. 1; FIG. 7 is a bottom plan view of the carton of FIG. 1; FIG. 8 is a perspective view of the carton of FIG. 1 in an open configuration of use; FIG. 9 is a front elevation view of the carton of FIG. 1 in an open configuration of use; FIG. 10 is a rear elevation view of the carton of FIG. 1 in an open configuration of use; and, FIG. 11 is a top plan view of the carton of FIG. 1 in an open configuration of use.

1 Claim, 11 Drawing Sheets



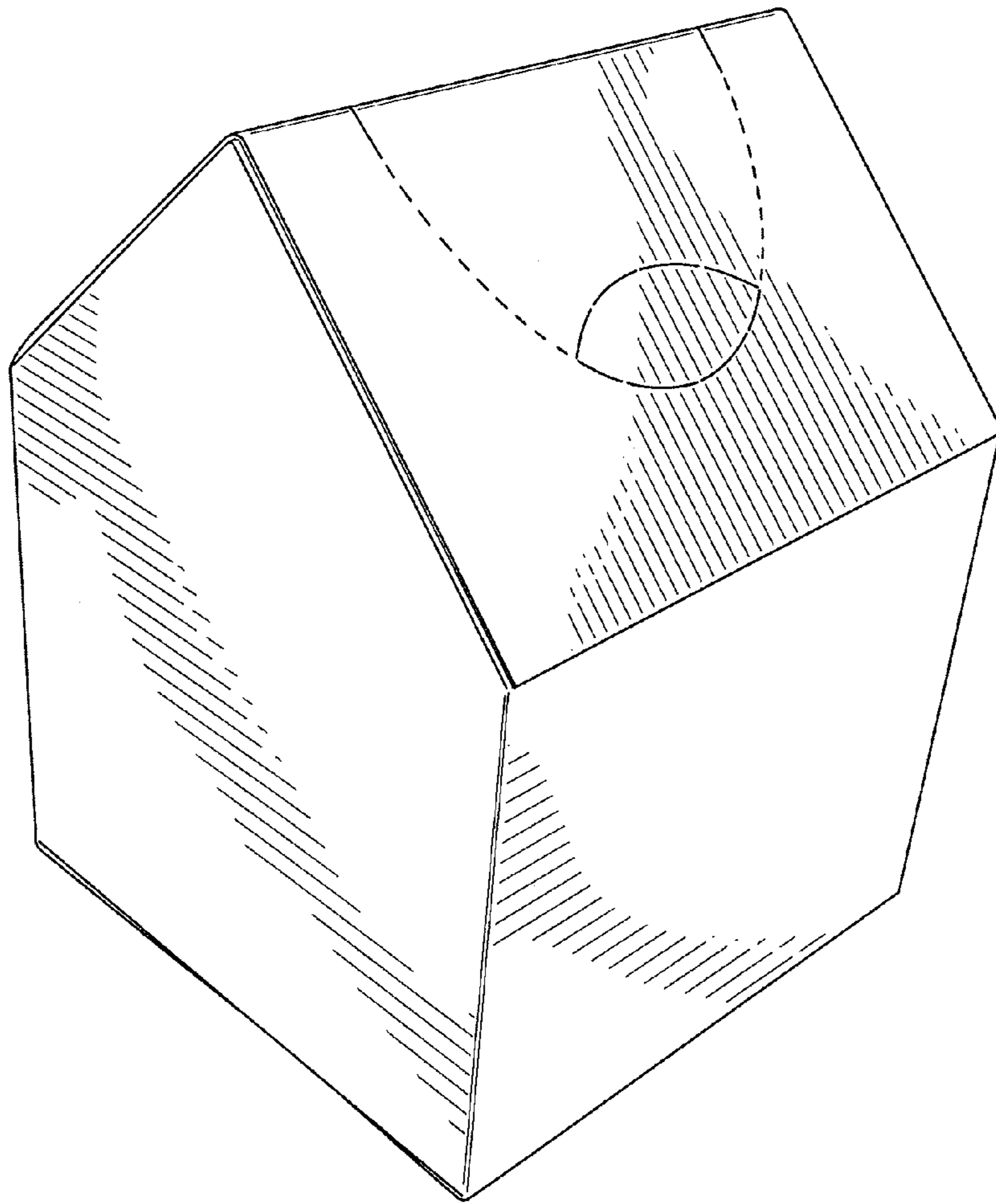


FIG. 1

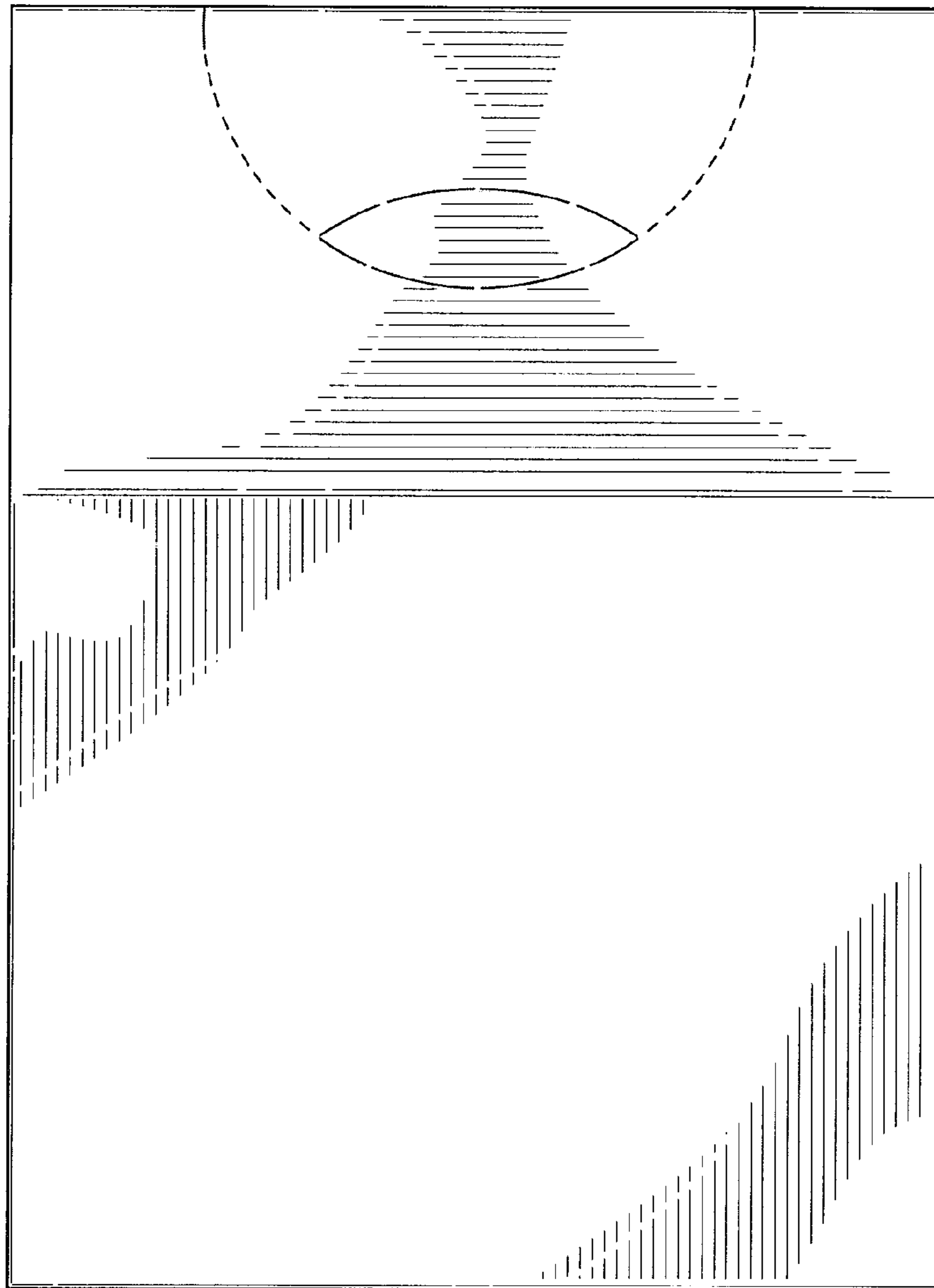


FIG. 2

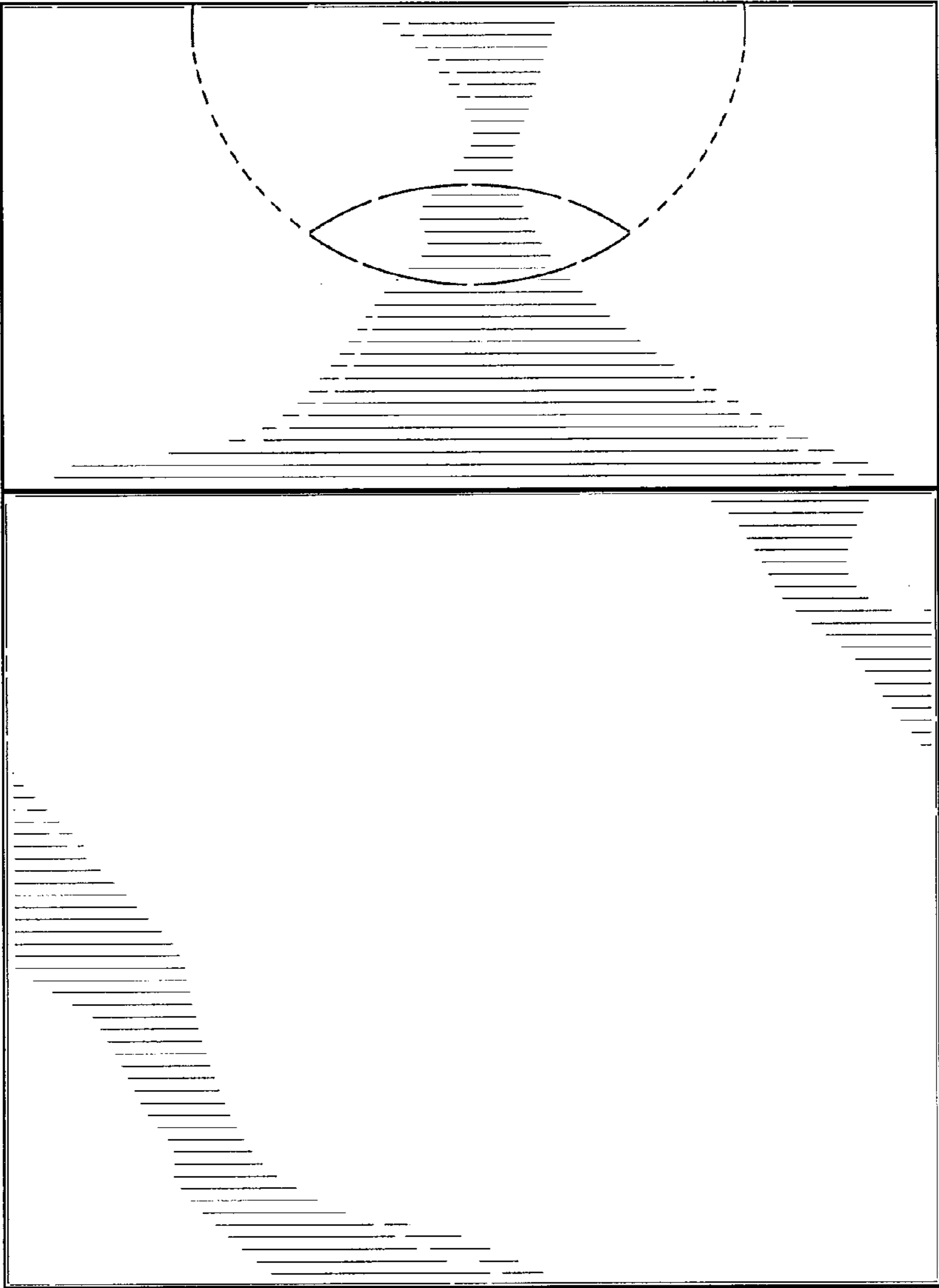


FIG. 3

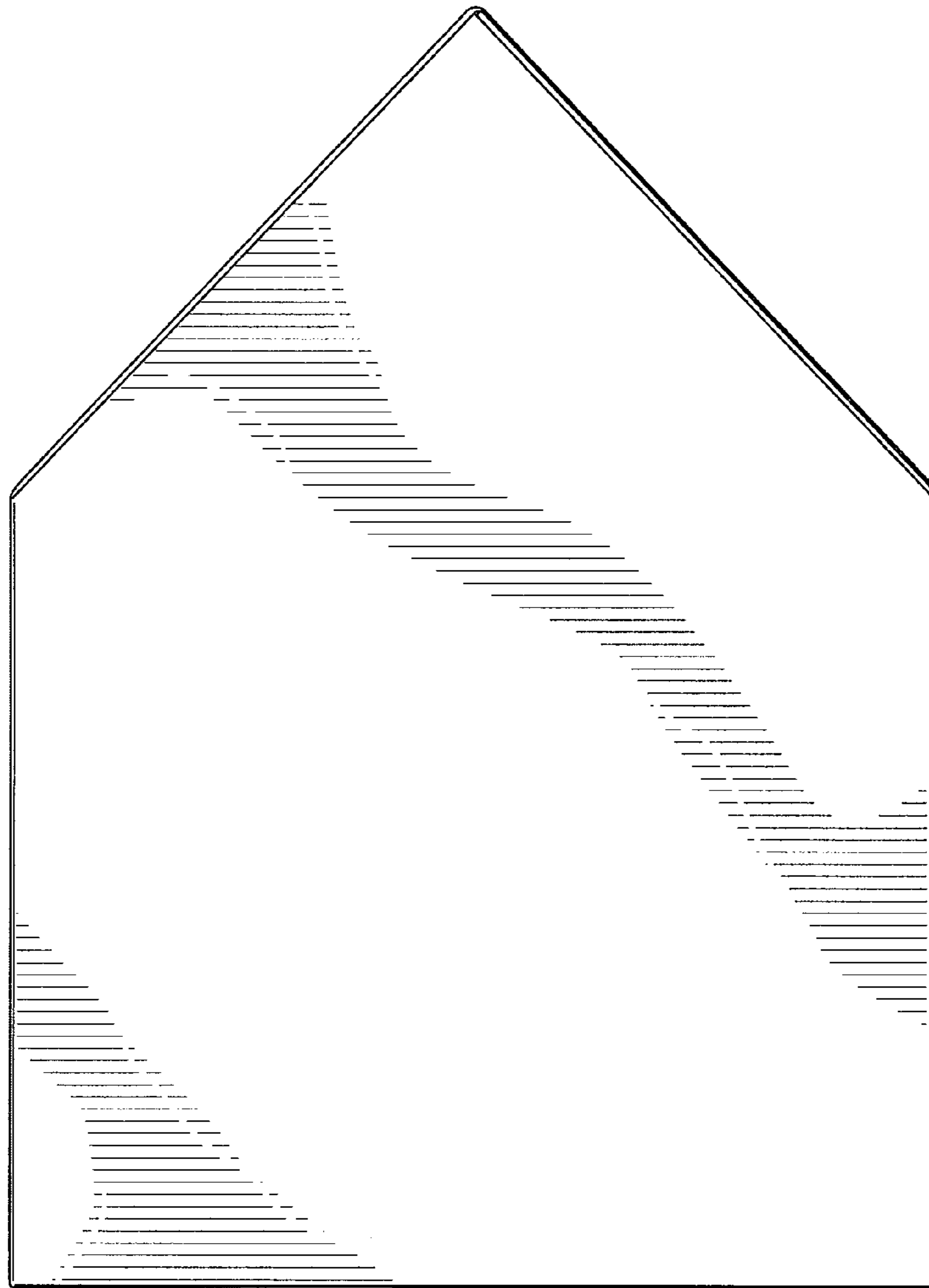


FIG. 4

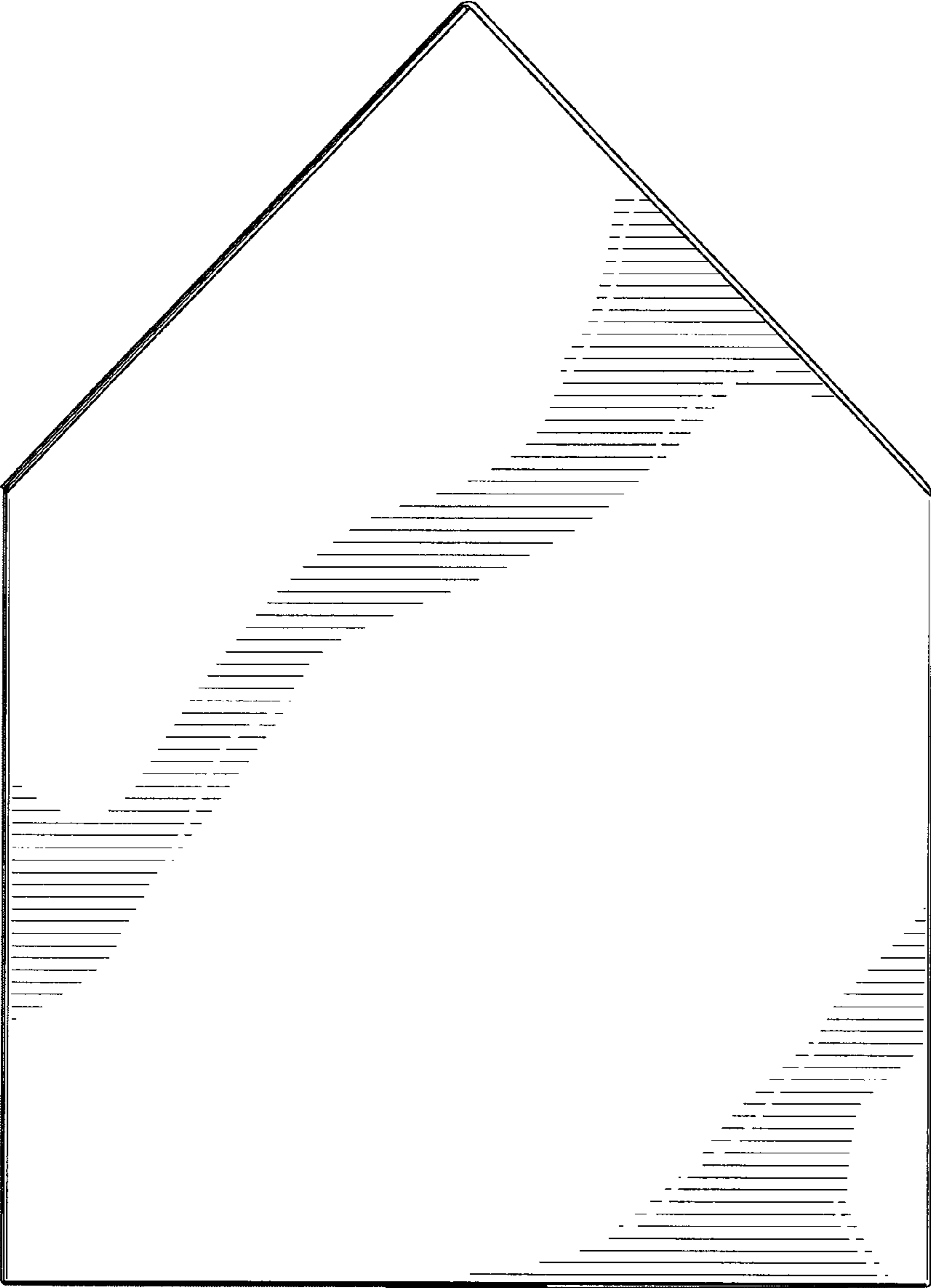


FIG. 5

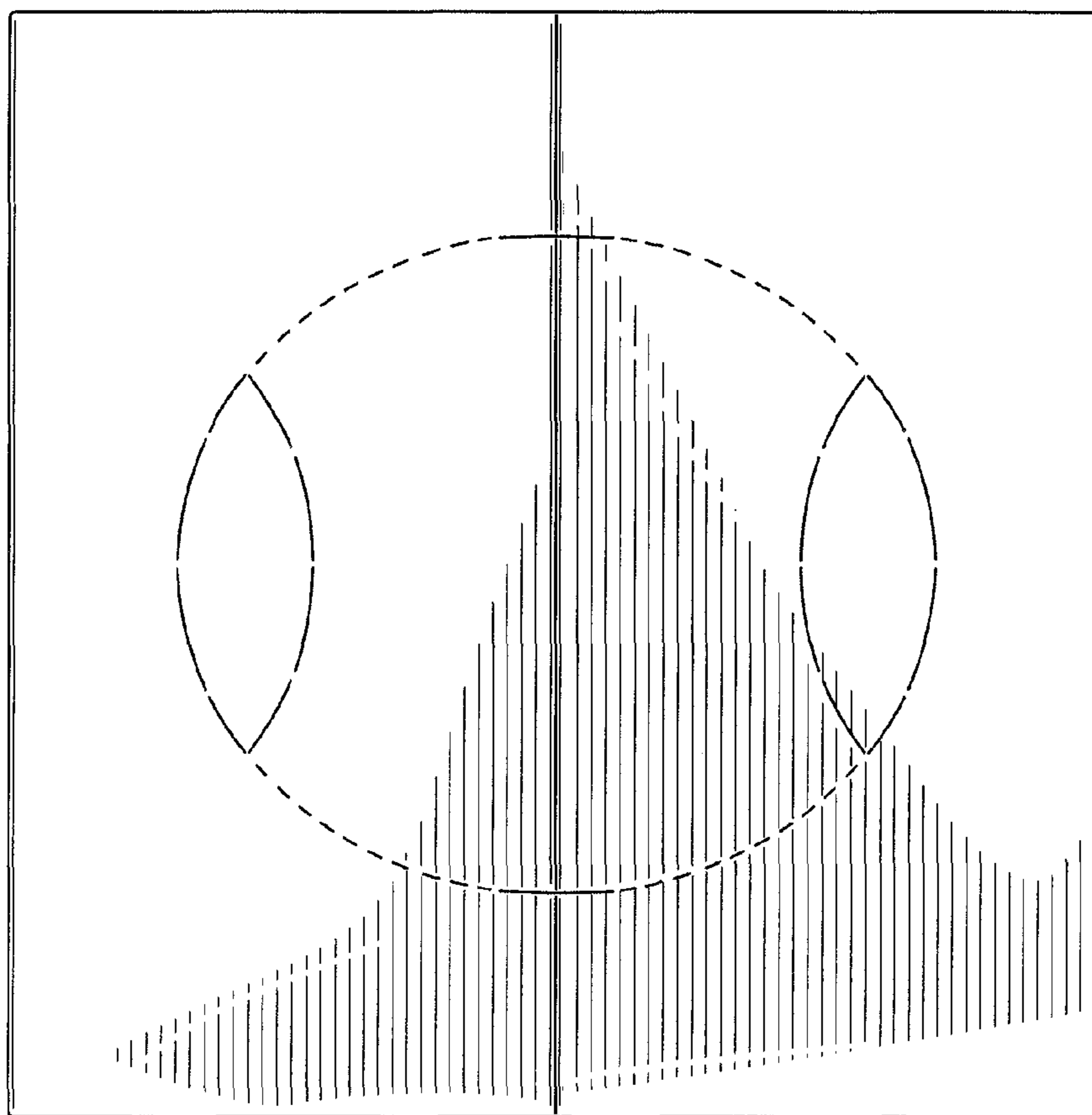


FIG. 6

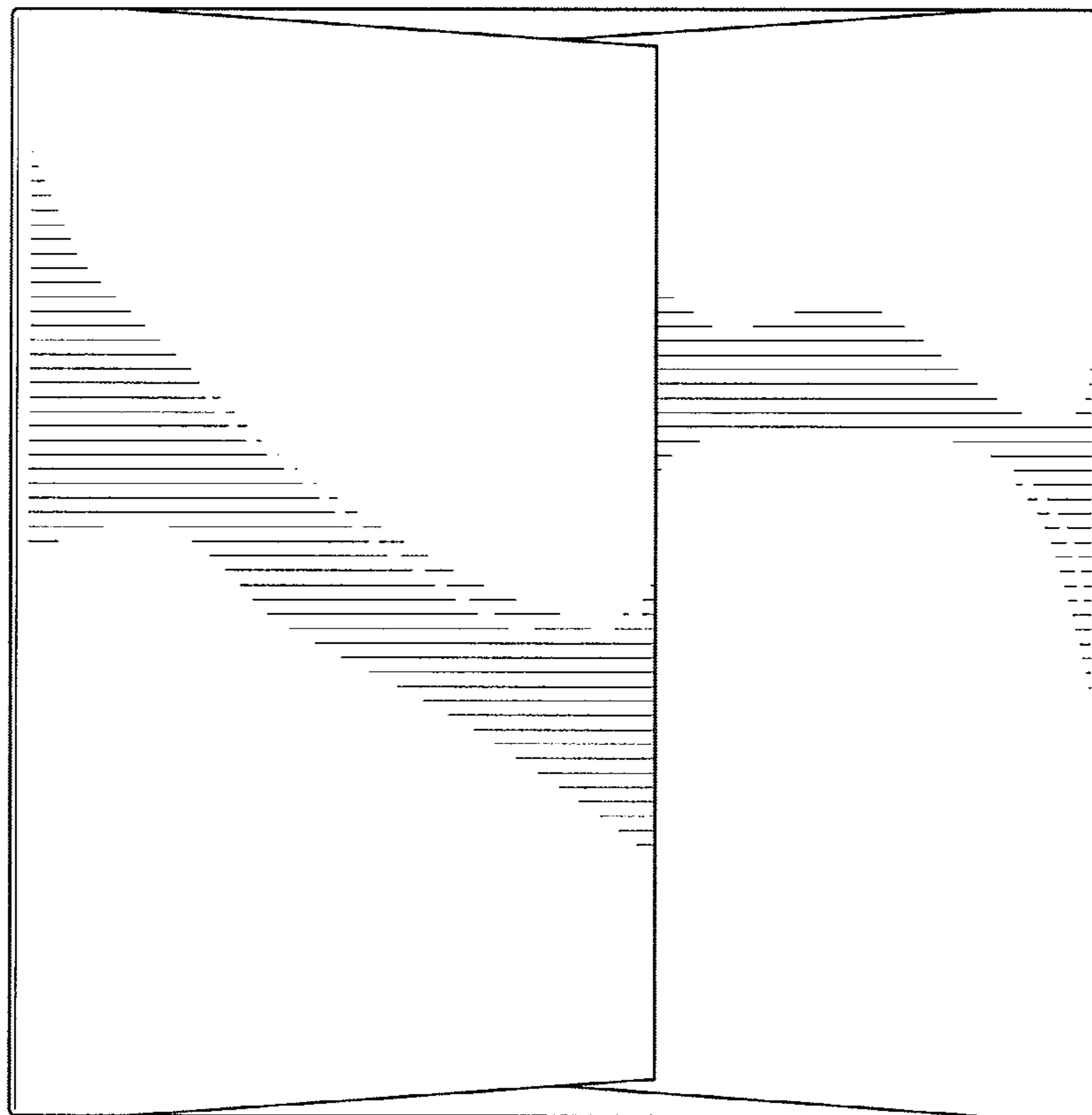


FIG. 7

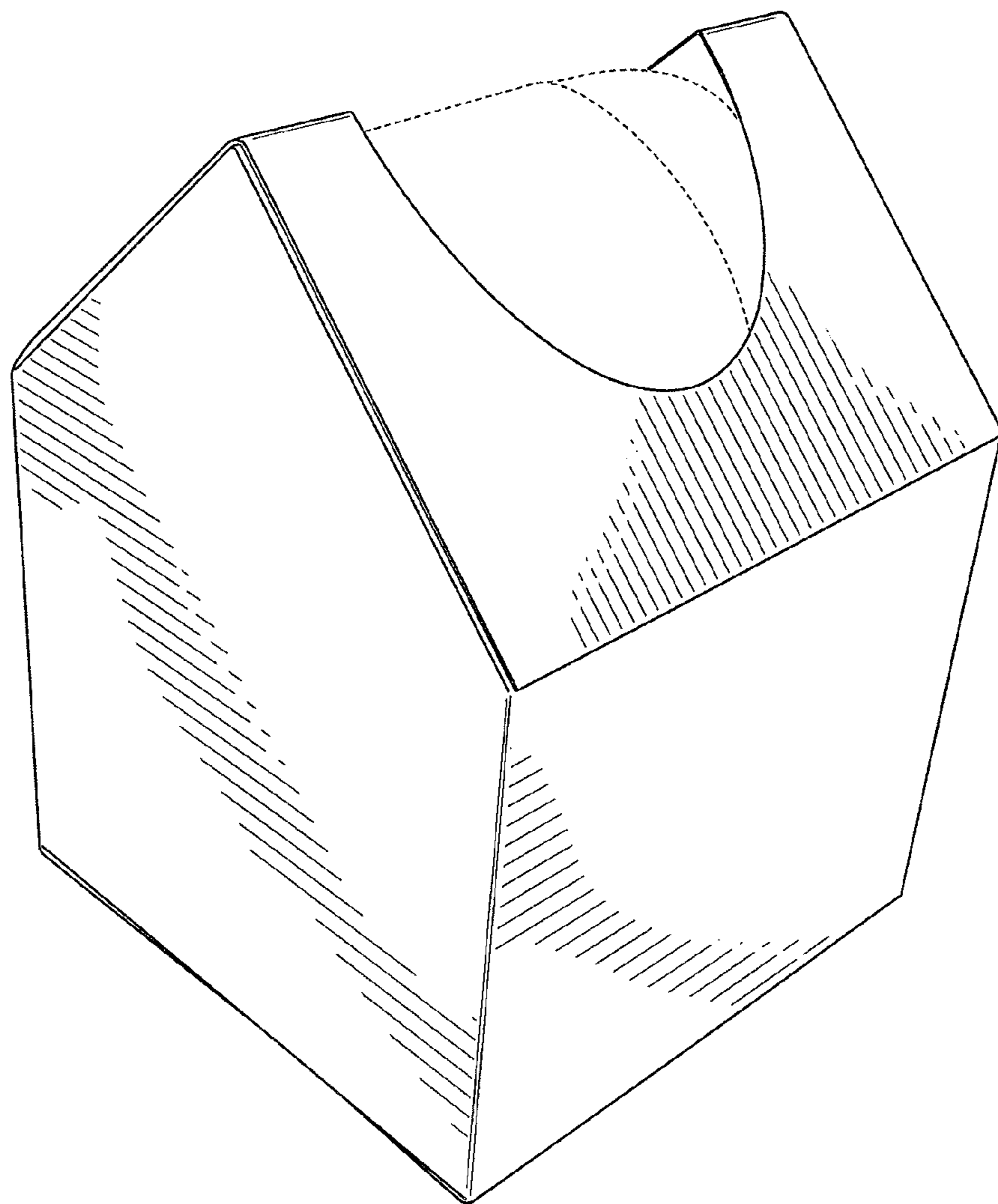


FIG. 8

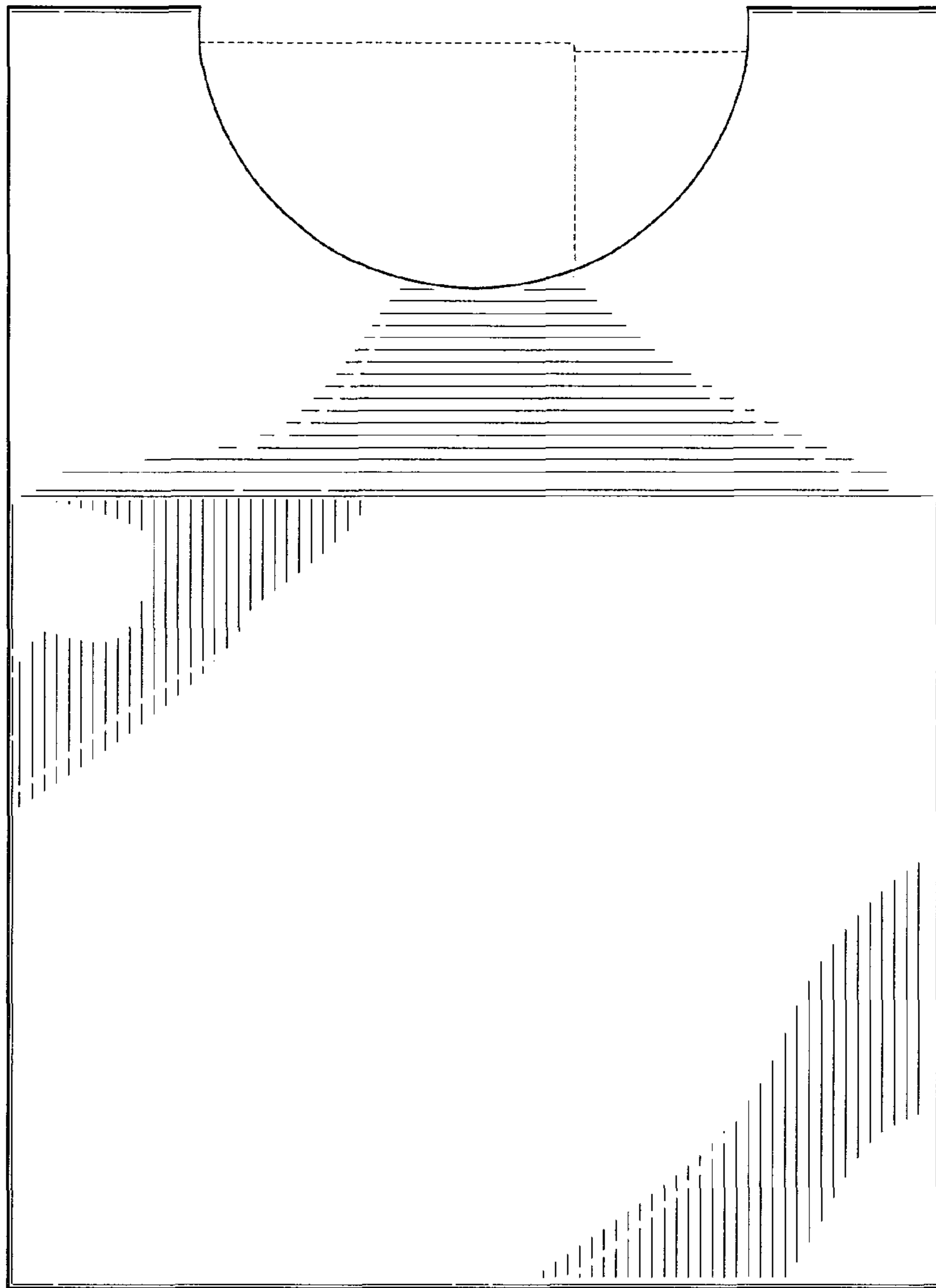


FIG. 9

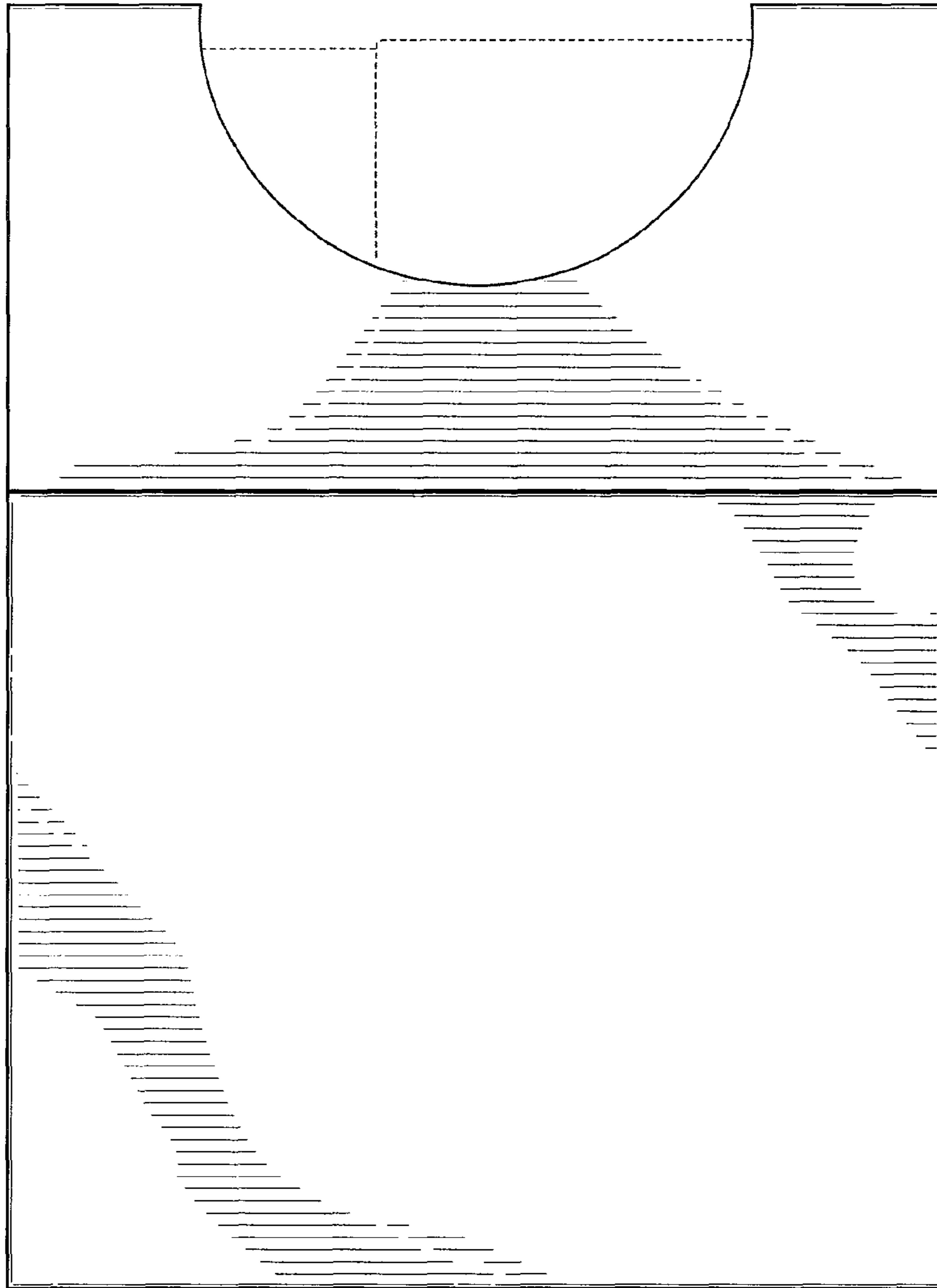


FIG. 10

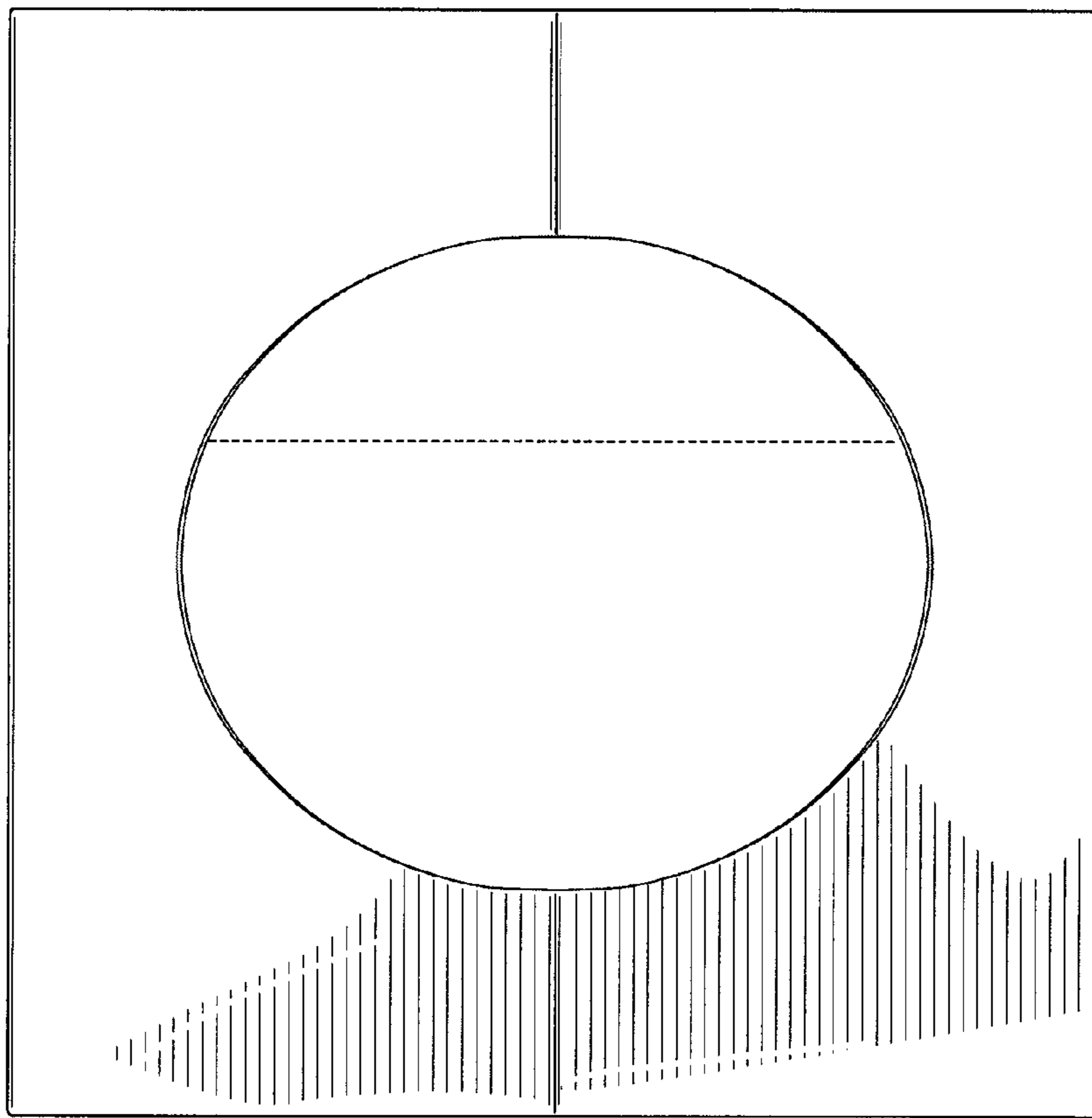


FIG. 11