



US00D675512S

(12) **United States Design Patent**
Gary et al.

(10) **Patent No.:** **US D675,512 S**
(45) **Date of Patent:** **** Feb. 5, 2013**

(54) **C-SHAPED LIGHT CLIP**
(75) Inventors: **Lonnie F. Gary**, Lubbock, TX (US);
James C. DeVilliers, Lubbock, TX
(US); **Richard A. Liles**, Lubbock, TX
(US); **Alan Richard Bumbaugh**,
Lubbock, TX (US); **Randal Jay**
Kinnison, Lubbock, TX (US)
(73) Assignee: **Commercial Christmas Clip Company,**
LLC, Lubbock, TX (US)

D333,255 S * 2/1993 Newcomer et al. D8/356
5,188,318 A * 2/1993 Newcomer et al. 248/68.1
D379,299 S * 5/1997 Fitzgibbons D8/402
D384,574 S * 10/1997 Cox D8/349
D393,201 S * 4/1998 Hearidge et al. D8/395
D393,417 S * 4/1998 Glickman et al. D8/382
D415,570 S * 10/1999 Bradshaw et al. D24/224
D448,987 S * 10/2001 Davis D8/394
D513,171 S * 12/2005 Richardson D8/394
D559,850 S * 1/2008 Lye D14/447
D576,478 S * 9/2008 Mead et al. D8/395
D628,055 S * 11/2010 Mills D8/382
D645,865 S * 9/2011 Diehl D14/432

(**) Term: **14 Years**

* cited by examiner

(21) Appl. No.: **29/426,442**

Primary Examiner — John Windmuller

(22) Filed: **Jul. 5, 2012**

(74) *Attorney, Agent, or Firm* — Locke Lord, LLP

(51) **LOC (9) Cl.** **08-08**

(52) **U.S. Cl.** **D8/395**

(58) **Field of Classification Search** D8/354,
D8/356, 371, 394–396; D19/65, 86; D24/128;
248/74.2, 215, 227.1, 49, 300, 301, 316.7,
248/51, 489; 24/570, 3.12; D32/61; D11/78.1
See application file for complete search history.

(57) **CLAIM**

The ornamental design for a C-shaped clip, as shown and described.

DESCRIPTION

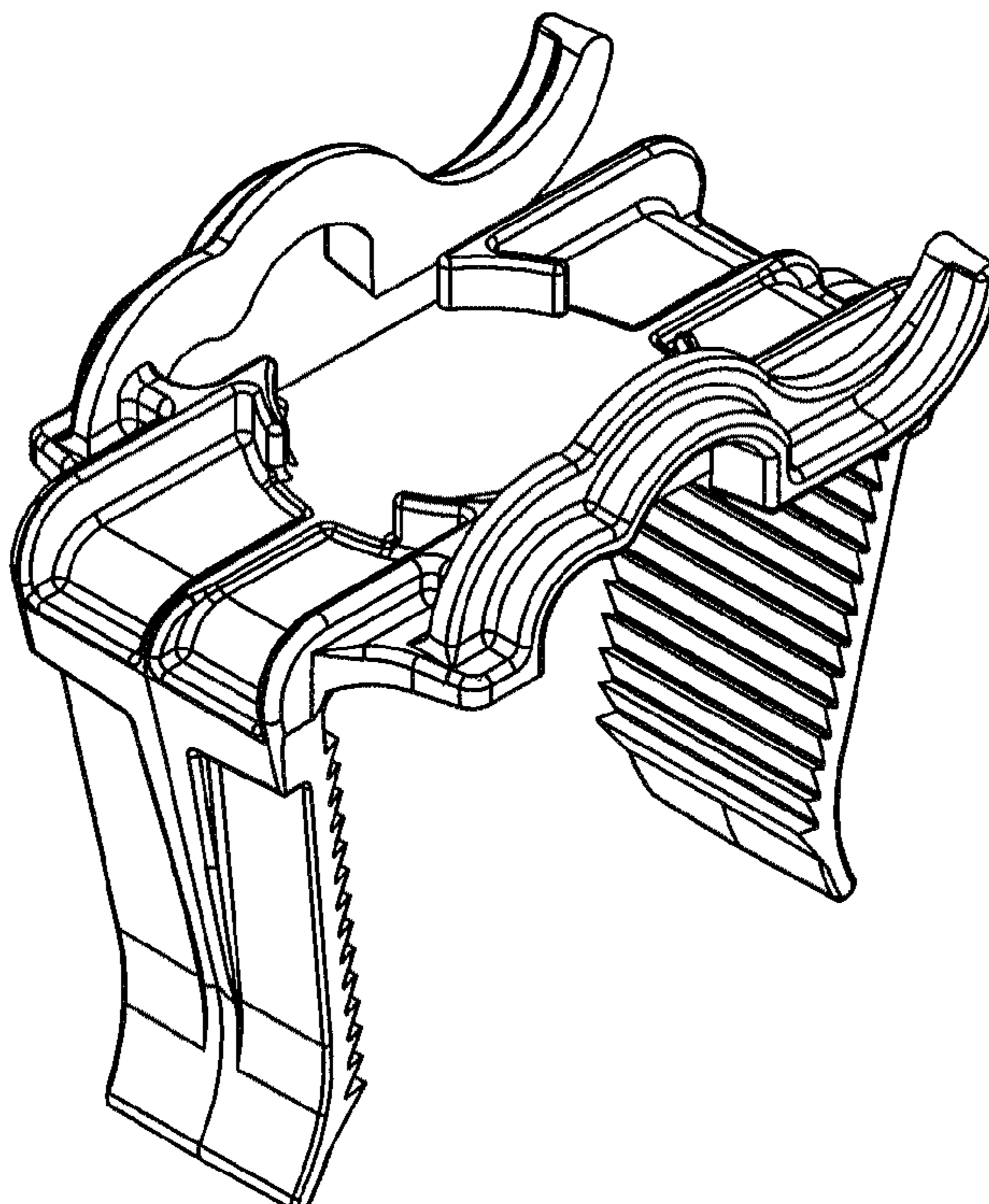
FIG. 1 is an upper left perspective view of a C-shaped clip showing our new design;
FIG. 2 is an upper right perspective view;
FIG. 3 is a lower left perspective view;
FIG. 4 is a top plan view;
FIG. 5 is a bottom plan view;
FIG. 6 is a front elevation view;
FIG. 7 is a rear elevation view;
FIG. 8 is a left side elevation view; and,
FIG. 9 is a right side elevation view.

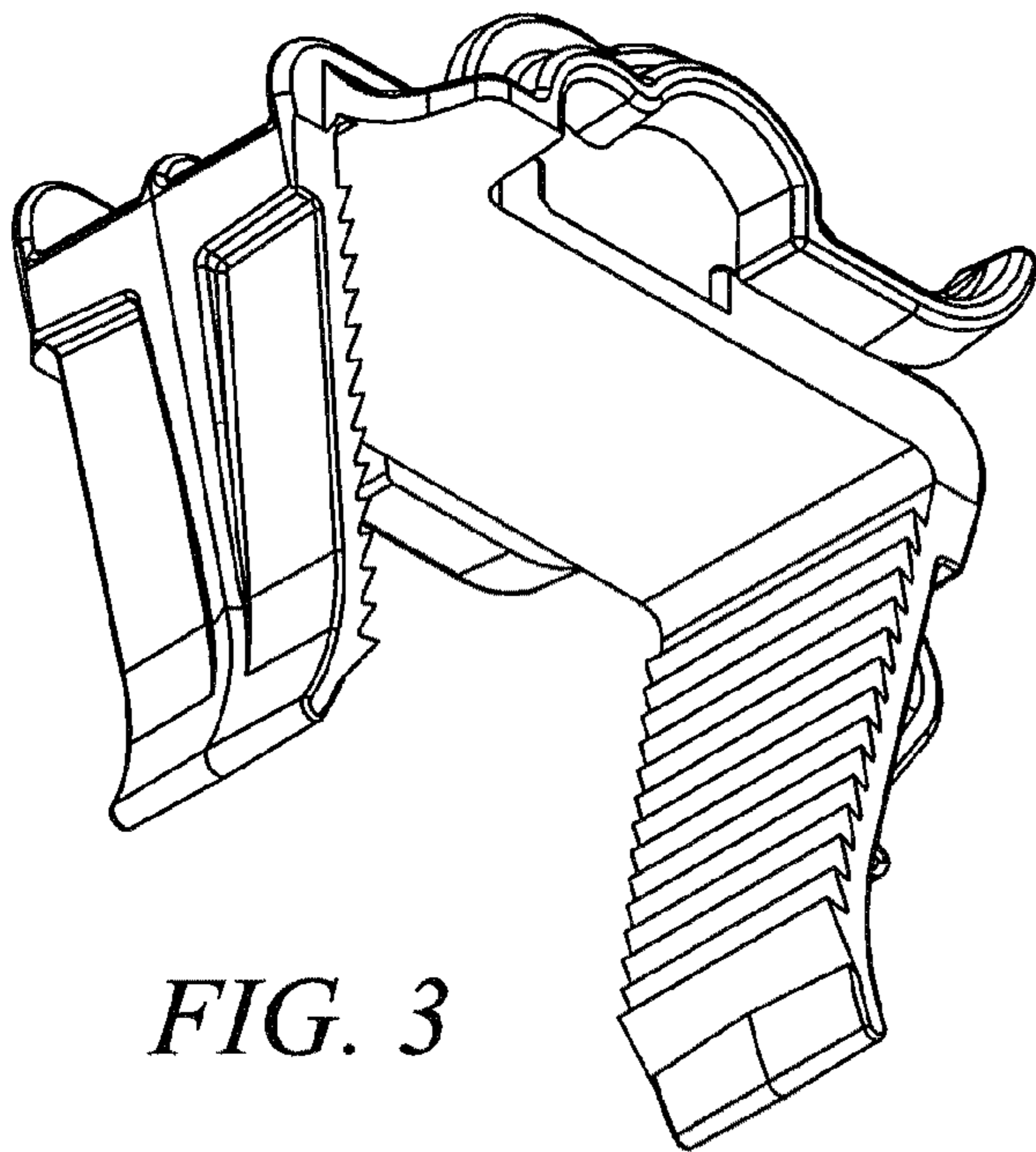
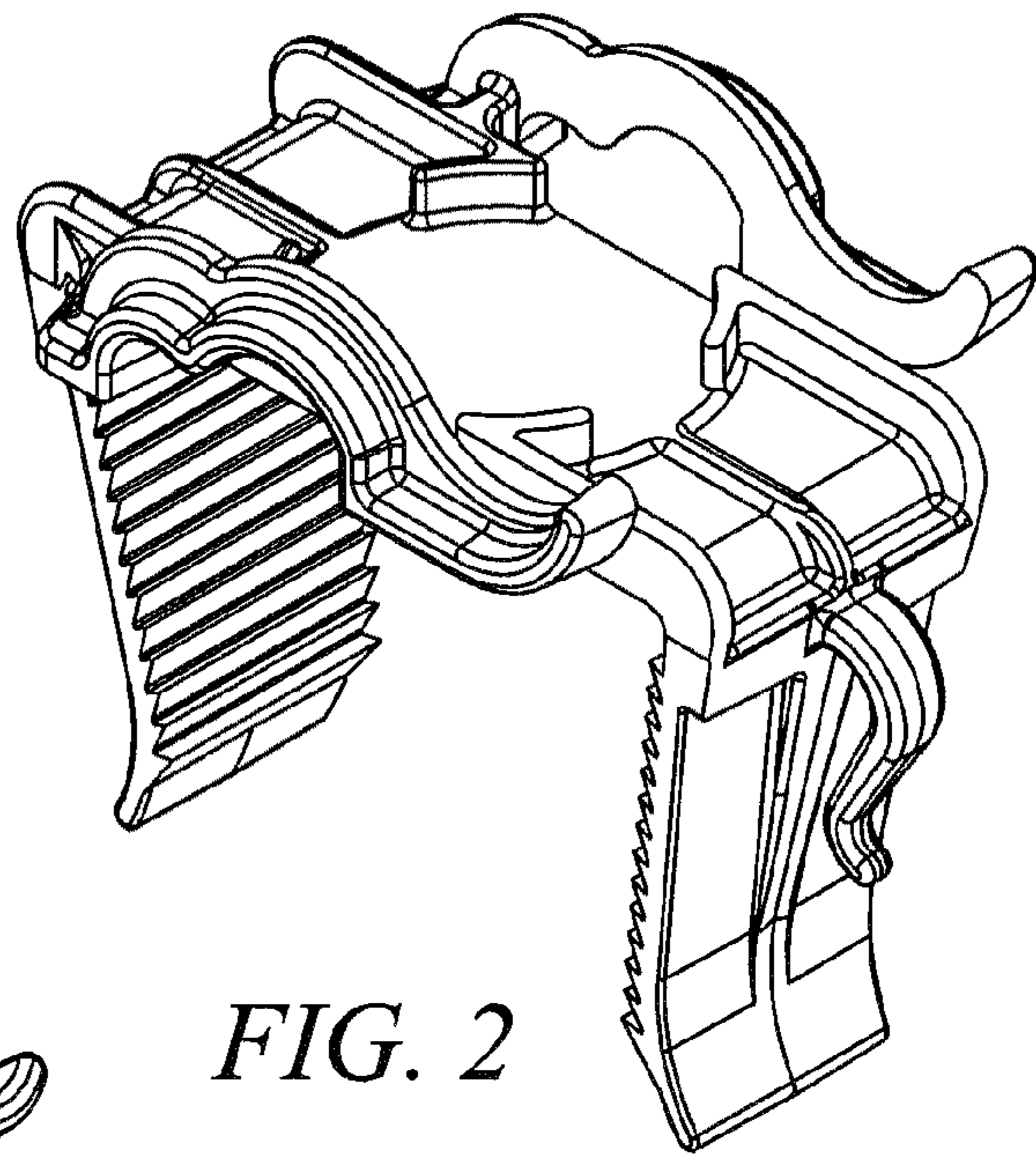
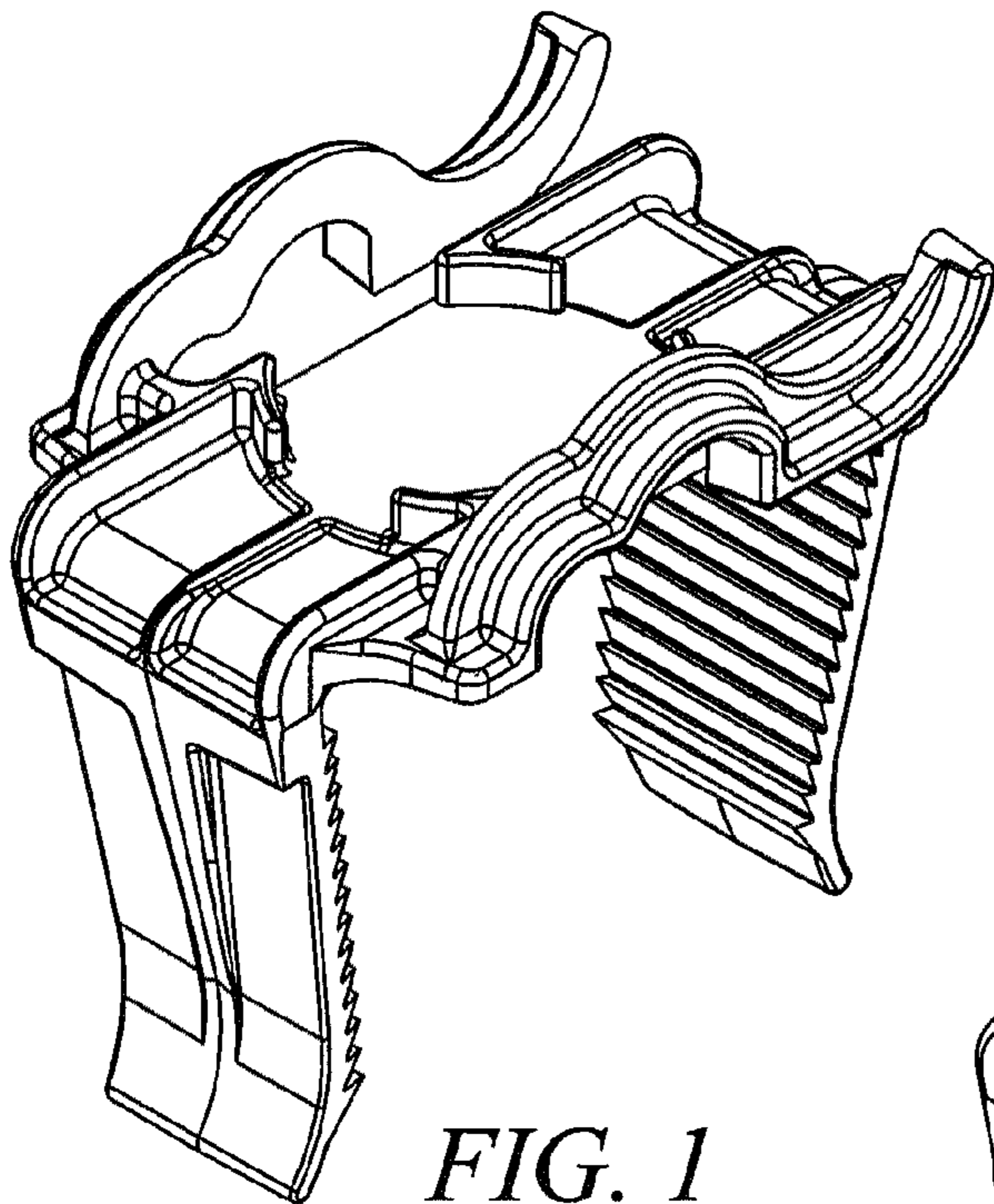
(56) **References Cited**

U.S. PATENT DOCUMENTS

D116,438 S * 8/1939 Wright D8/395
2,467,604 A * 4/1949 Tinnerman et al. 403/387
3,312,444 A * 4/1967 De Sena 248/231.81
3,836,106 A * 9/1974 Gray 248/229.26
3,877,112 A * 4/1975 Pestka 174/51
D257,325 S * 10/1980 Jones D8/400
4,741,590 A * 5/1988 Caron 385/60

1 Claim, 4 Drawing Sheets





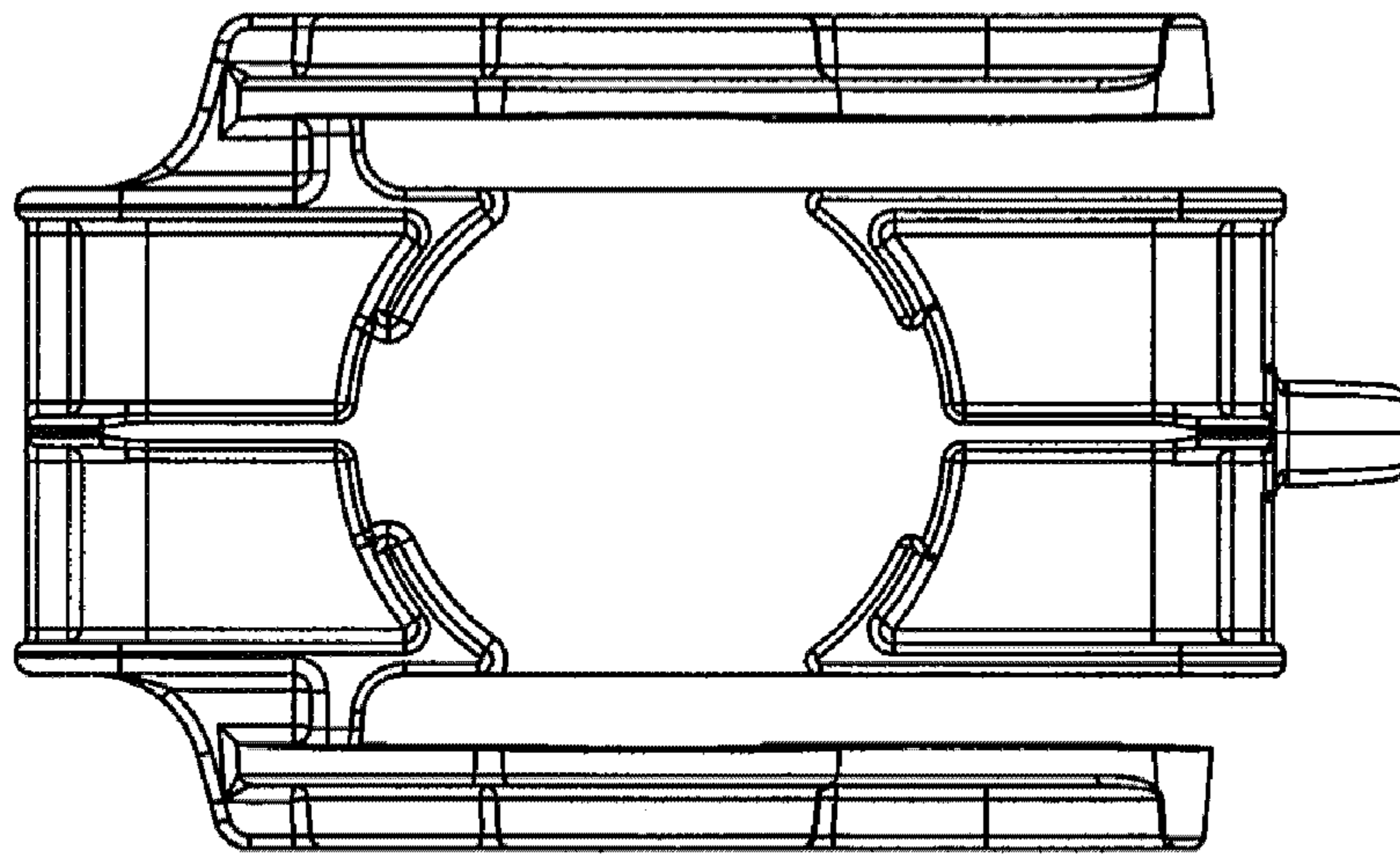


FIG. 4

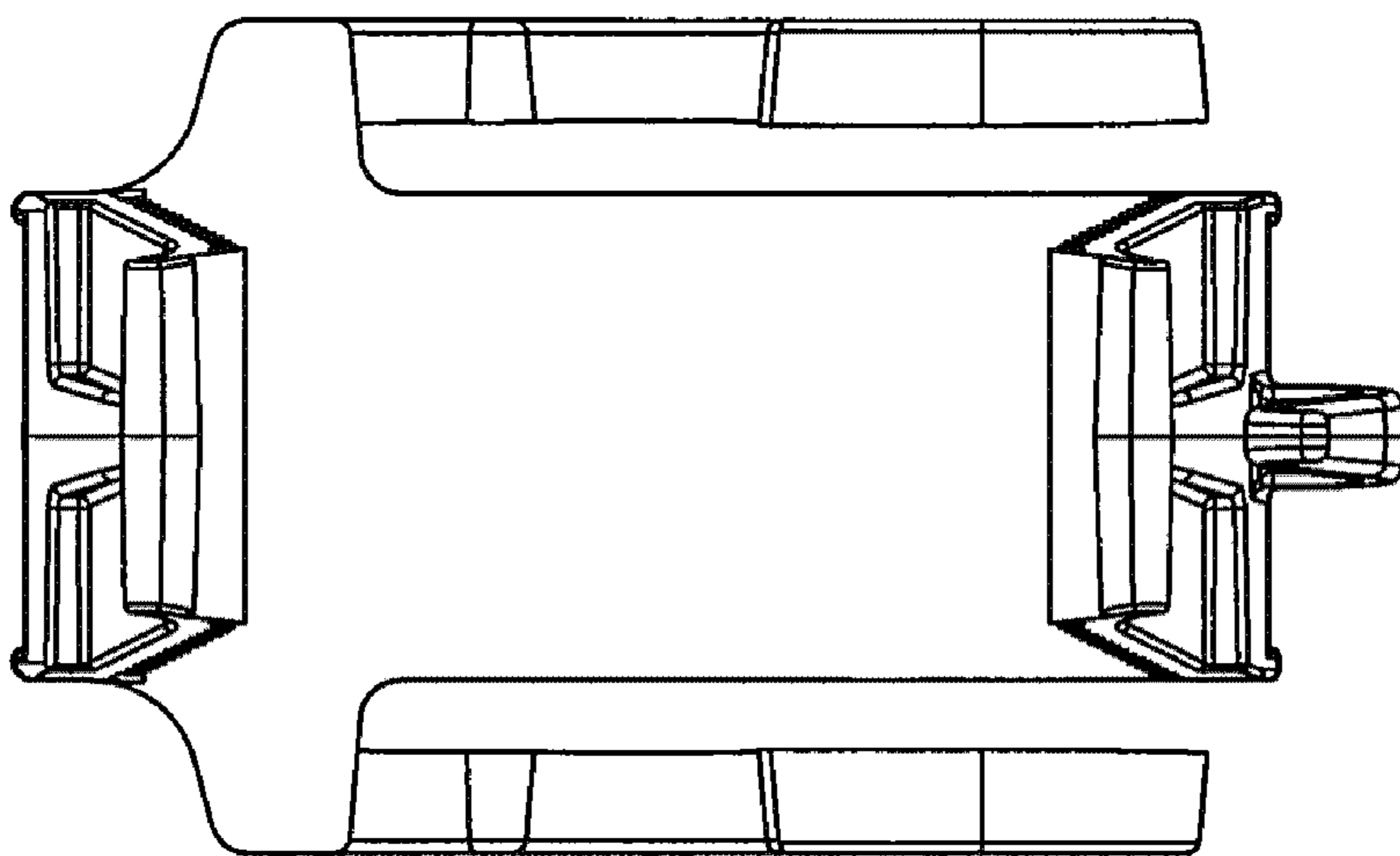


FIG. 5

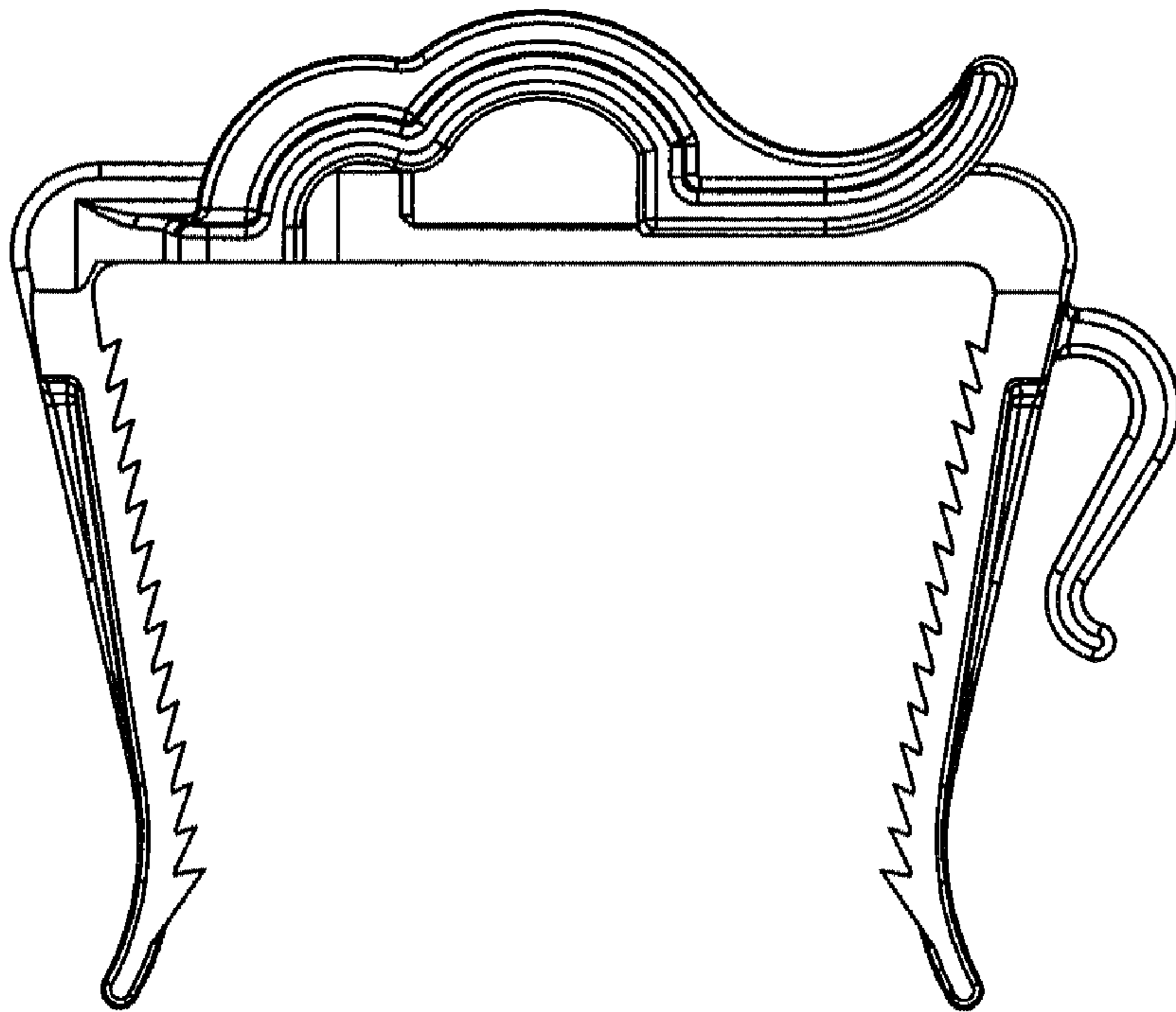


FIG. 6

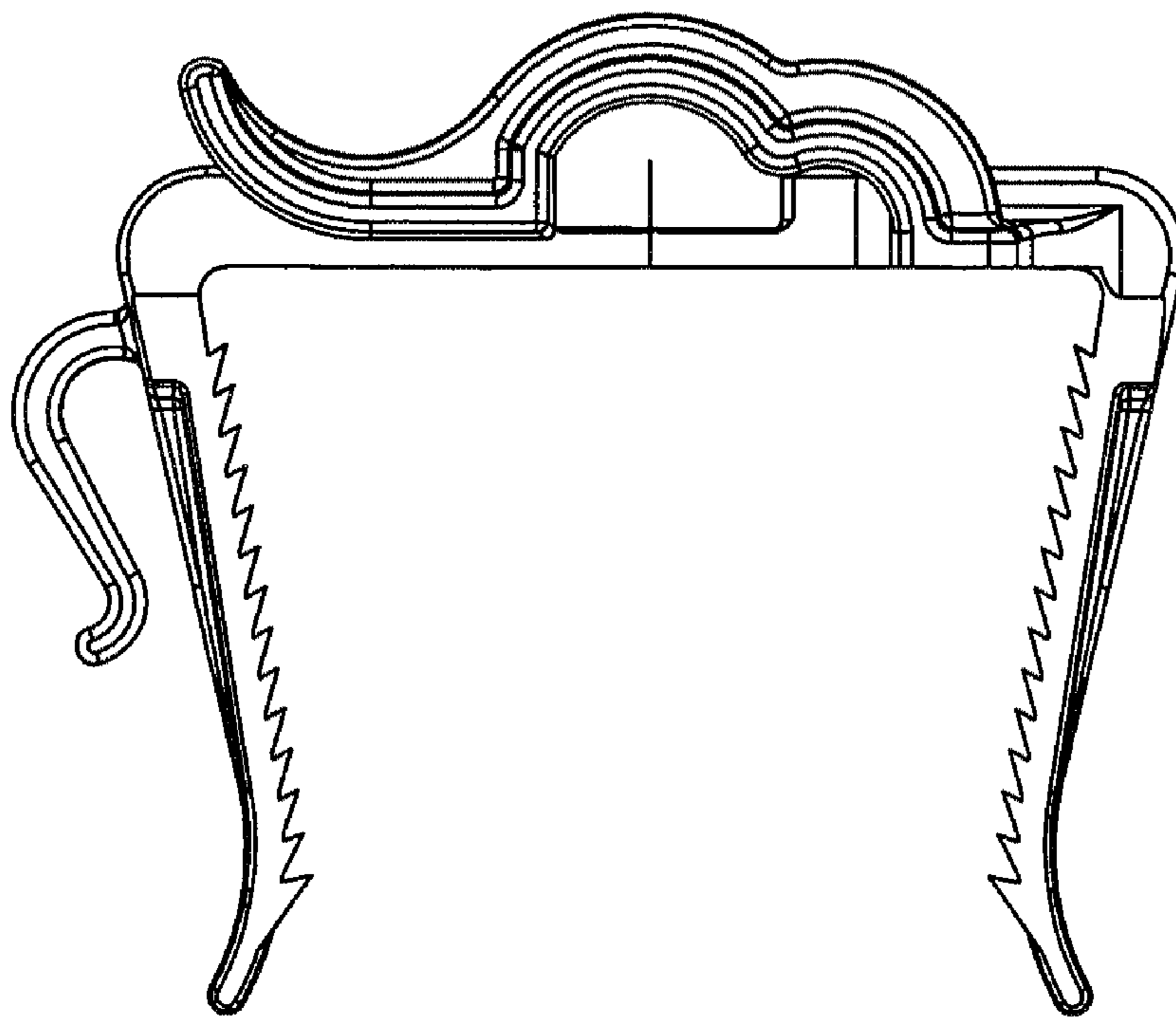


FIG. 7

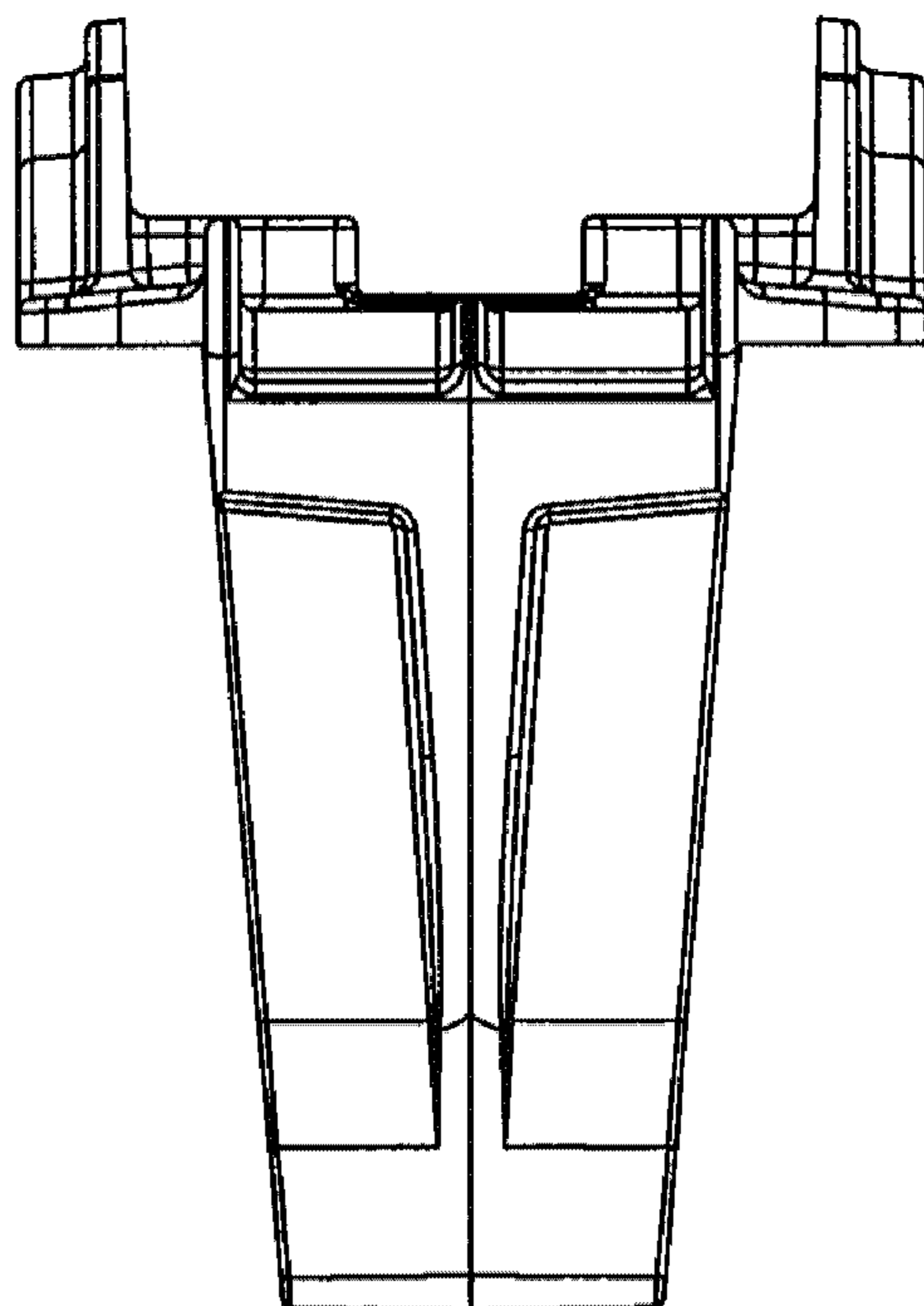


FIG. 8

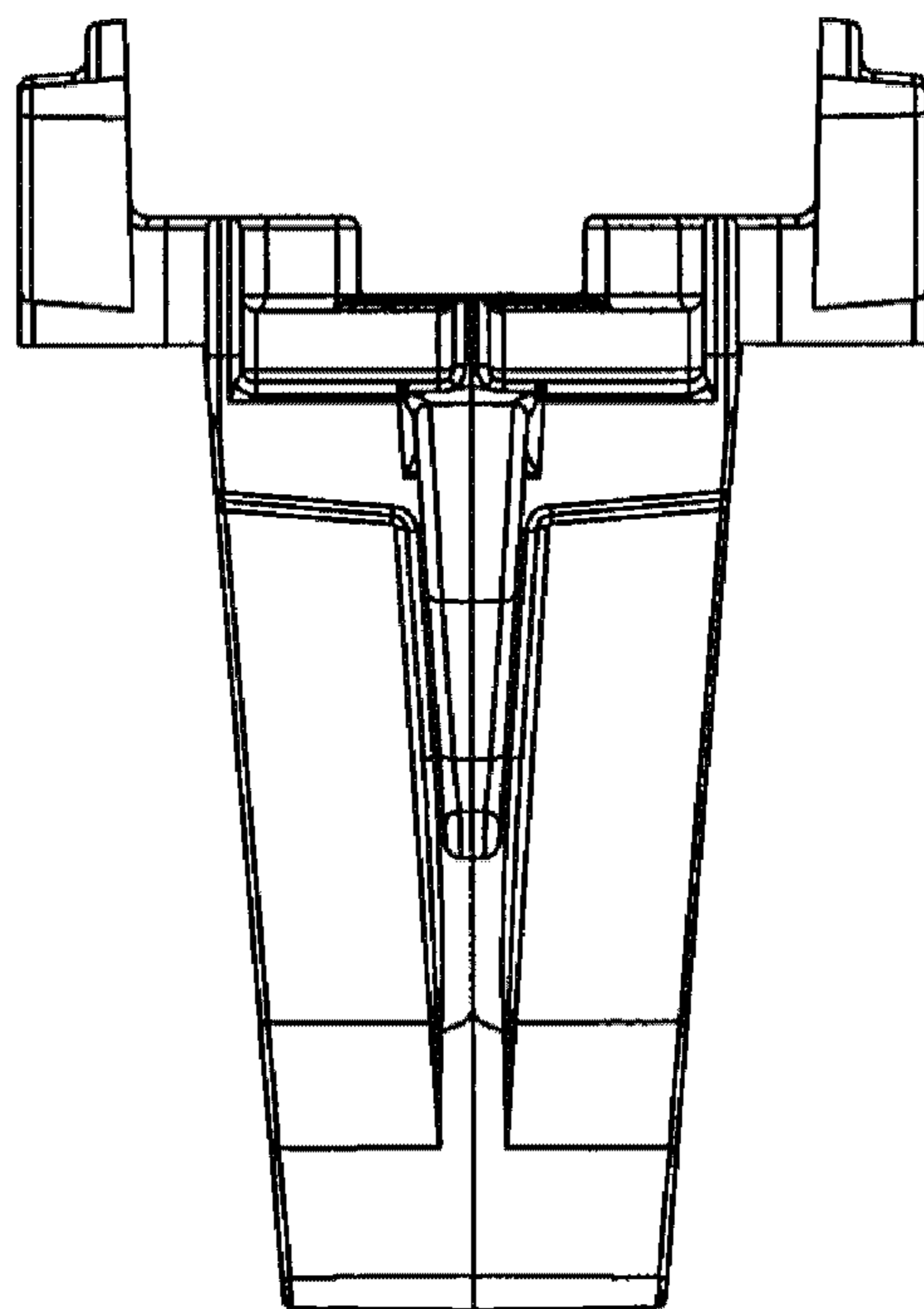


FIG. 9