



US00D675508S

(12) **United States Design Patent**
Hirano

(10) **Patent No.:** **US D675,508 S**

(45) **Date of Patent:** **** Feb. 5, 2013**

- (54) **FASTENING DEVICE FOR PLATE**
- (75) Inventor: **Yoichi Hirano**, Hiroshima (JP)
- (73) Assignee: **Nifco Inc.**, Yokohama-Shi (JP)
- (**) Term: **14 Years**
- (21) Appl. No.: **29/371,813**
- (22) Filed: **Oct. 12, 2011**

Primary Examiner — Sheryl Lane
(74) *Attorney, Agent, or Firm* — Manabu Kanesaka

(30) **Foreign Application Priority Data**

- Apr. 12, 2011 (JP) 2011-008340
 - (51) **LOC (9) Cl.** **08-08**
 - (52) **U.S. Cl.** **D8/382**
 - (58) **Field of Classification Search** D8/382,
D8/349; 411/508-510, 45; 403/300, 345;
24/453, 297
- See application file for complete search history.

(57) **CLAIM**
The ornamental design for a fastening device for plate, as shown and described.

DESCRIPTION

(56) **References Cited**

U.S. PATENT DOCUMENTS

- D374,610 S * 10/1996 Shimazu D8/382
- 5,689,863 A * 11/1997 Sinozaki 24/297
- 5,694,666 A * 12/1997 Hamamoto 24/297
- 6,088,878 A * 7/2000 Antonucci et al. 16/86 A
- D498,414 S * 11/2004 Yoneoka D8/382
- D500,245 S * 12/2004 Okada D8/382
- D589,333 S * 3/2009 Nakazato D8/382
- D632,550 S * 2/2011 Watanabe D8/382
- 2005/0244250 A1 * 11/2005 Okada et al. 411/508

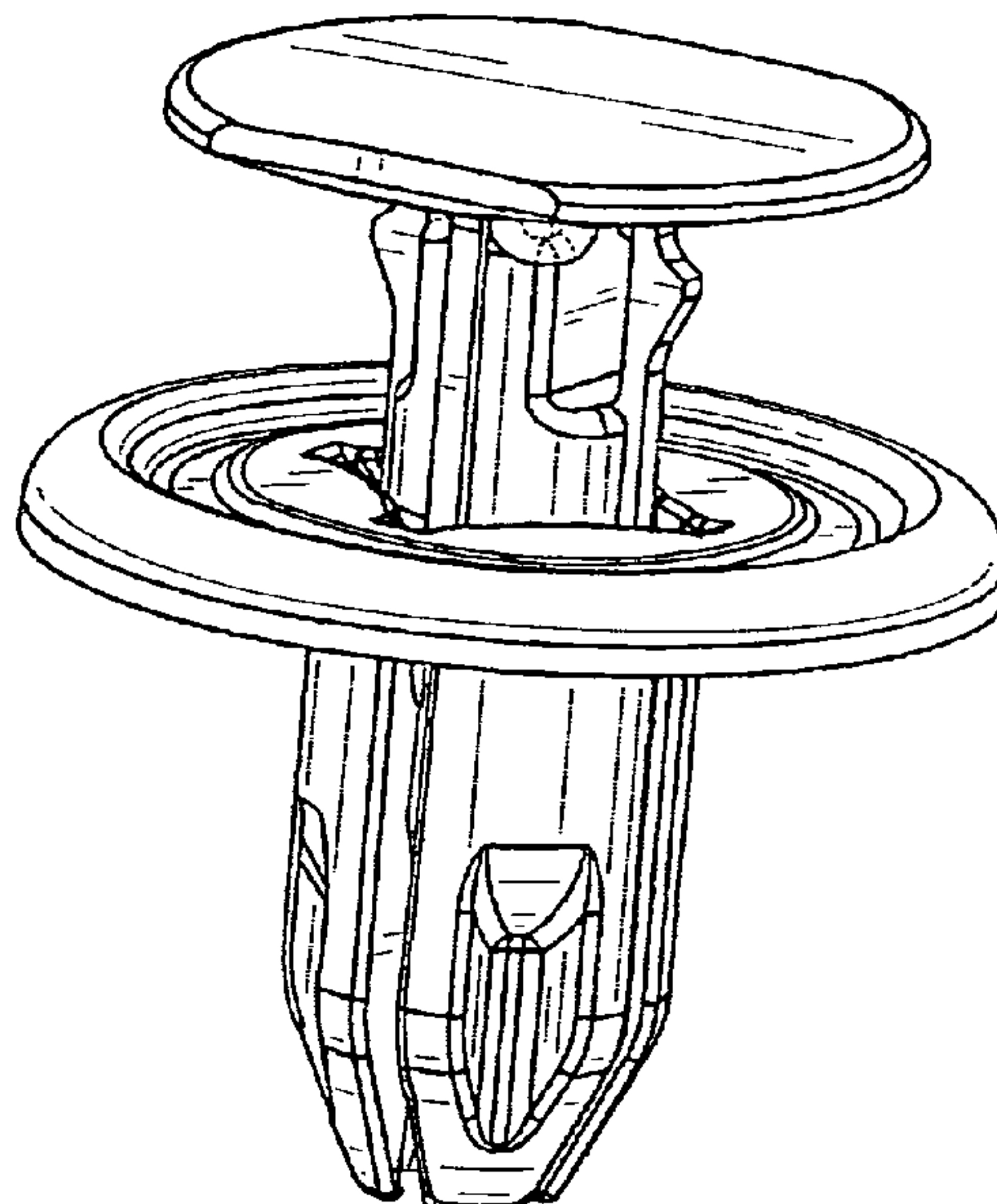
FOREIGN PATENT DOCUMENTS

- JP 08303423 A * 11/1996
- JP 2002303309 A * 10/2002

* cited by examiner

FIG. 1 is a perspective view of a fastening device for plate showing my new design;
 FIG. 2 is a front view thereof, a rear view being identical to the front view;
 FIG. 3 is a right side view thereof, a left side view being identical to right side view;
 FIG. 4 is a plan view thereof;
 FIG. 5 is a bottom view thereof;
 FIG. 6 is a perspective view of a male body;
 FIG. 7 is a perspective view of a female body;
 FIG. 8 is a bottom view of the male body;
 FIG. 9 is a plan view of the female body;
 FIG. 10 is a cross-sectional view of the fastening device for plate taken along the line 10-10 in FIG. 4;
 FIG. 11 is a cross-sectional view thereof taken along the line 11-11 in FIG. 4;
 FIG. 12 is a cross-sectional view thereof taken along the line 12-12 in FIG. 4; and,
 FIG. 13 is a cross-sectional view thereof taken along line 13-13 in FIG. 4.
 The broken lines depict portions of the fastening device for plate that form no part of claimed design.

1 Claim, 6 Drawing Sheets



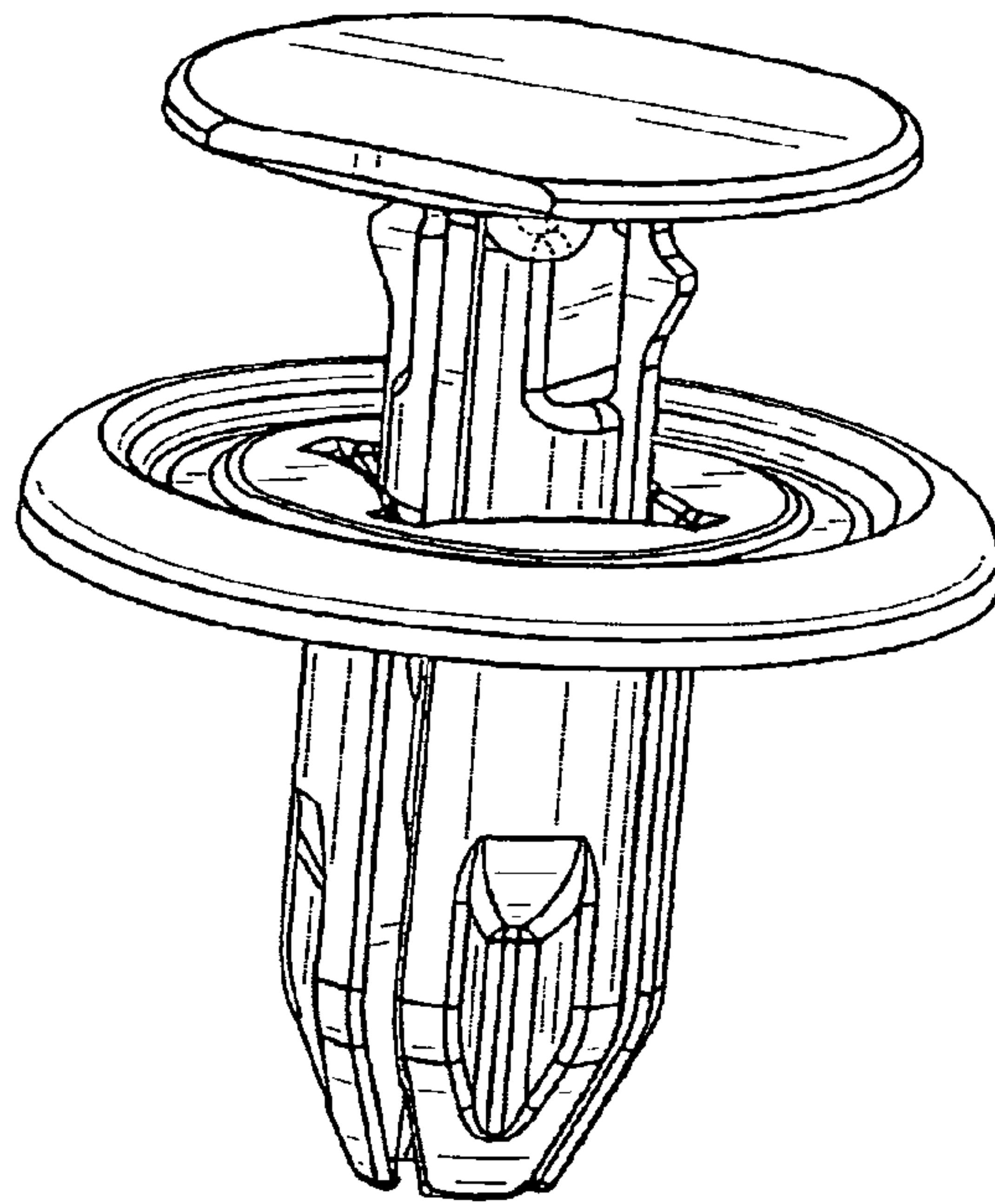


FIG. 1

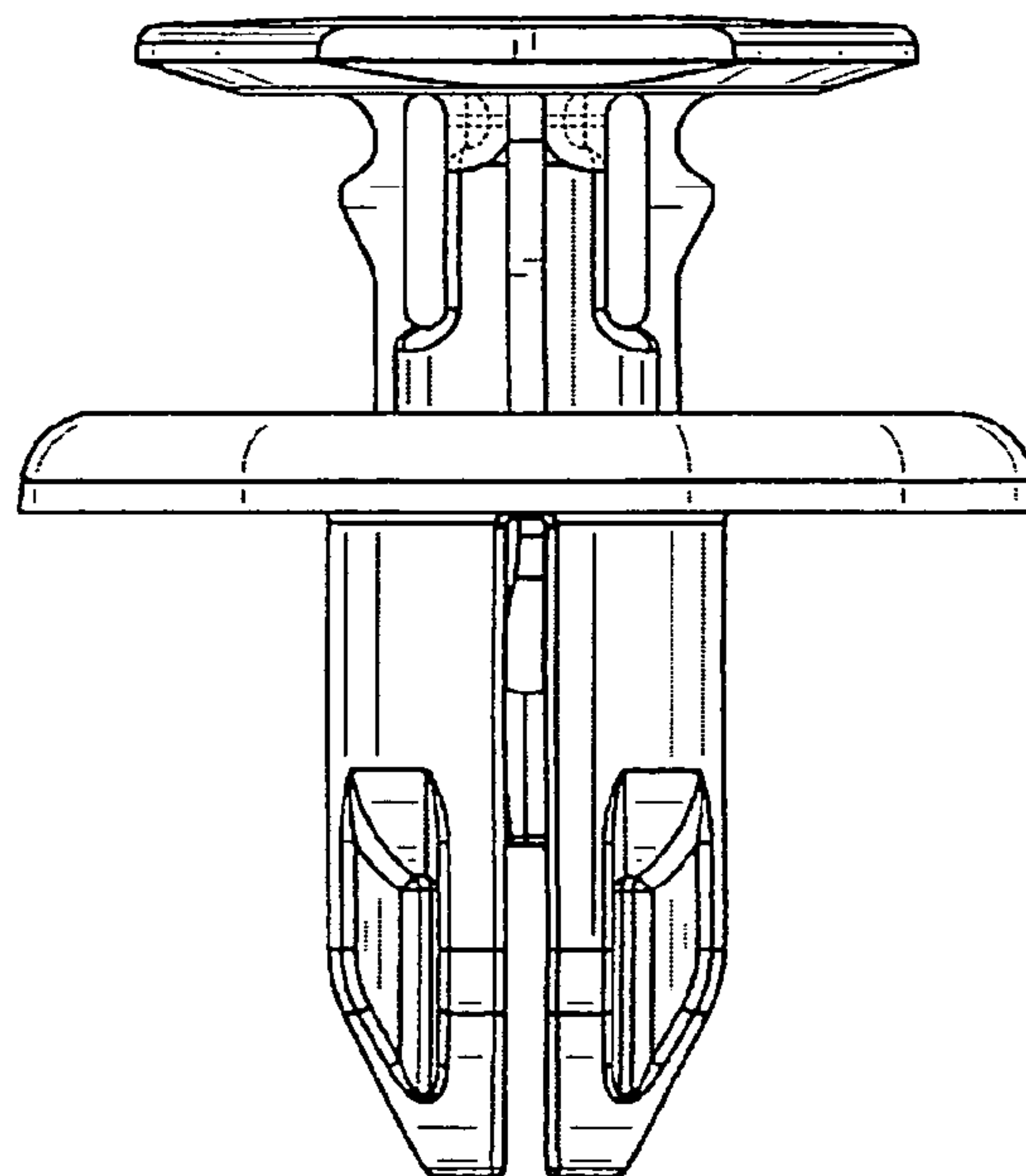


FIG. 2

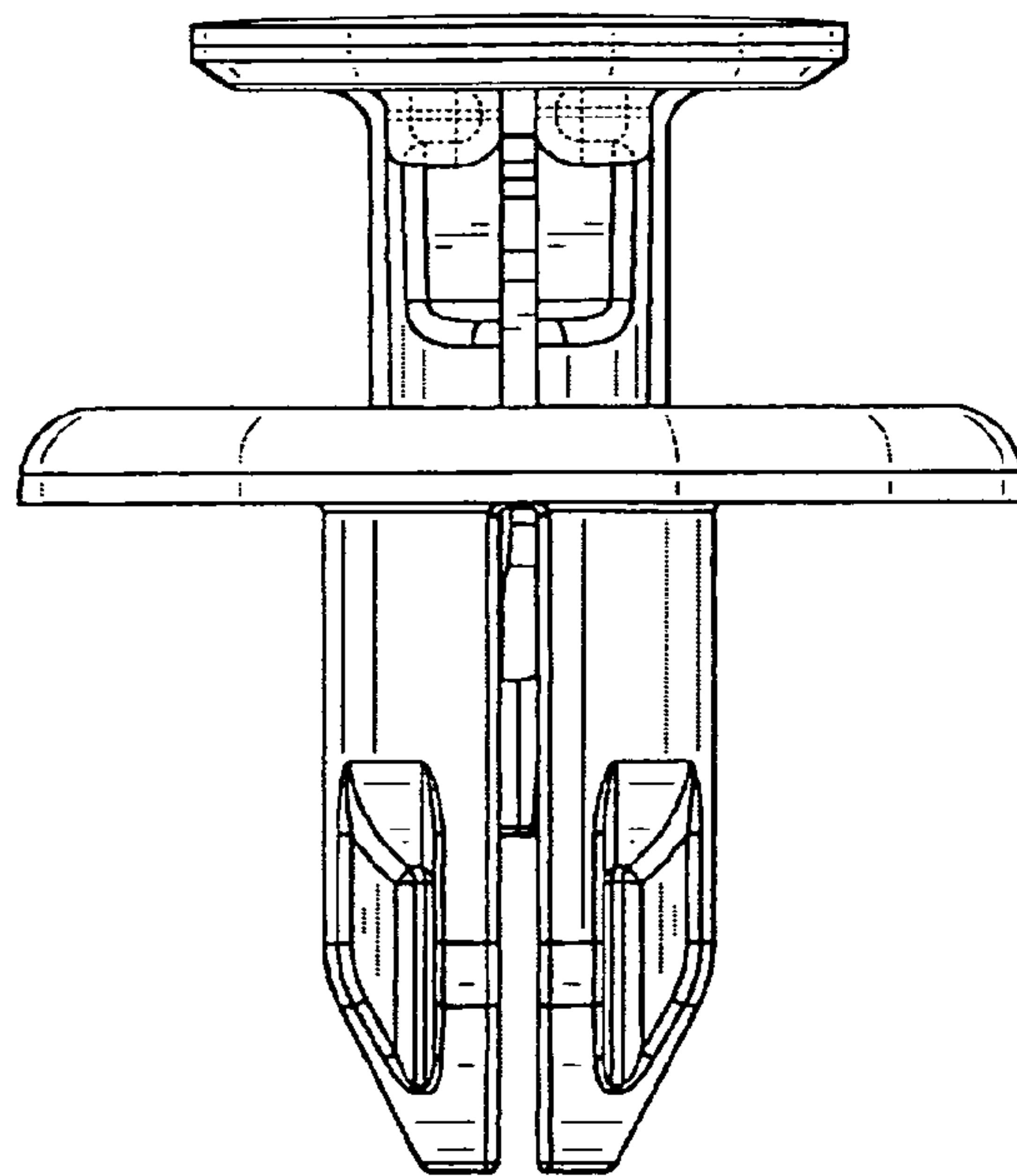


FIG. 3

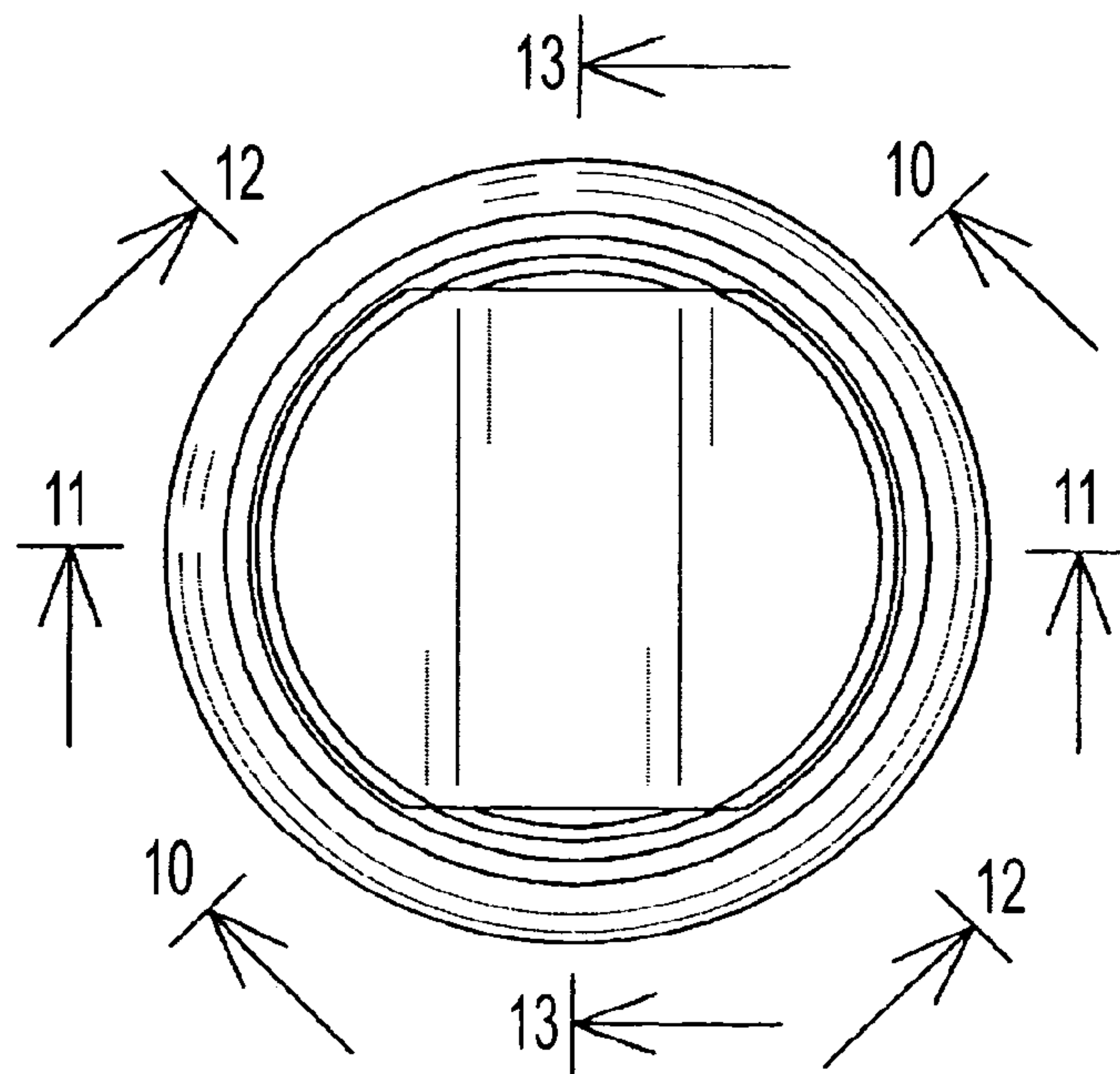


FIG. 4

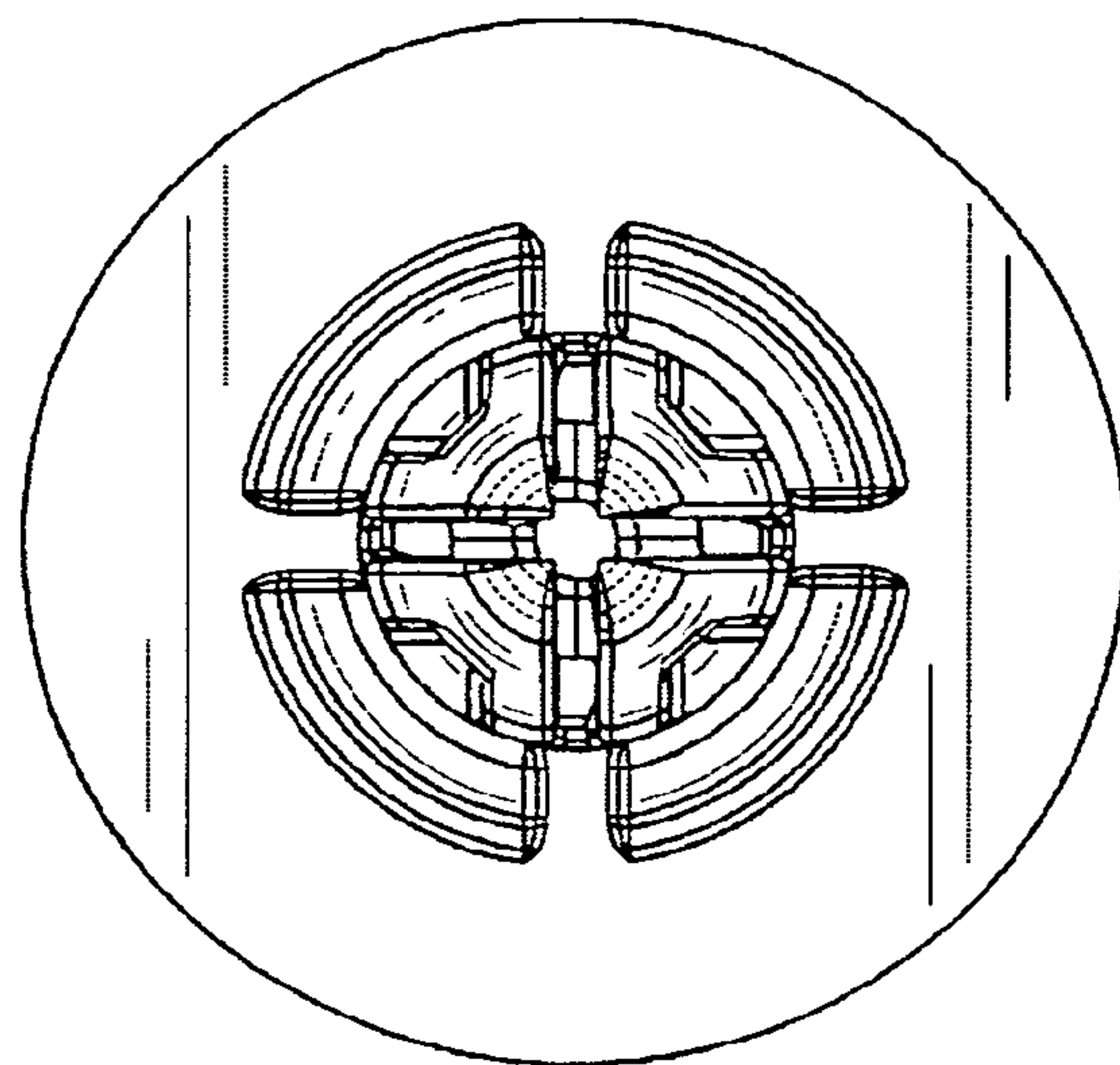


FIG. 5

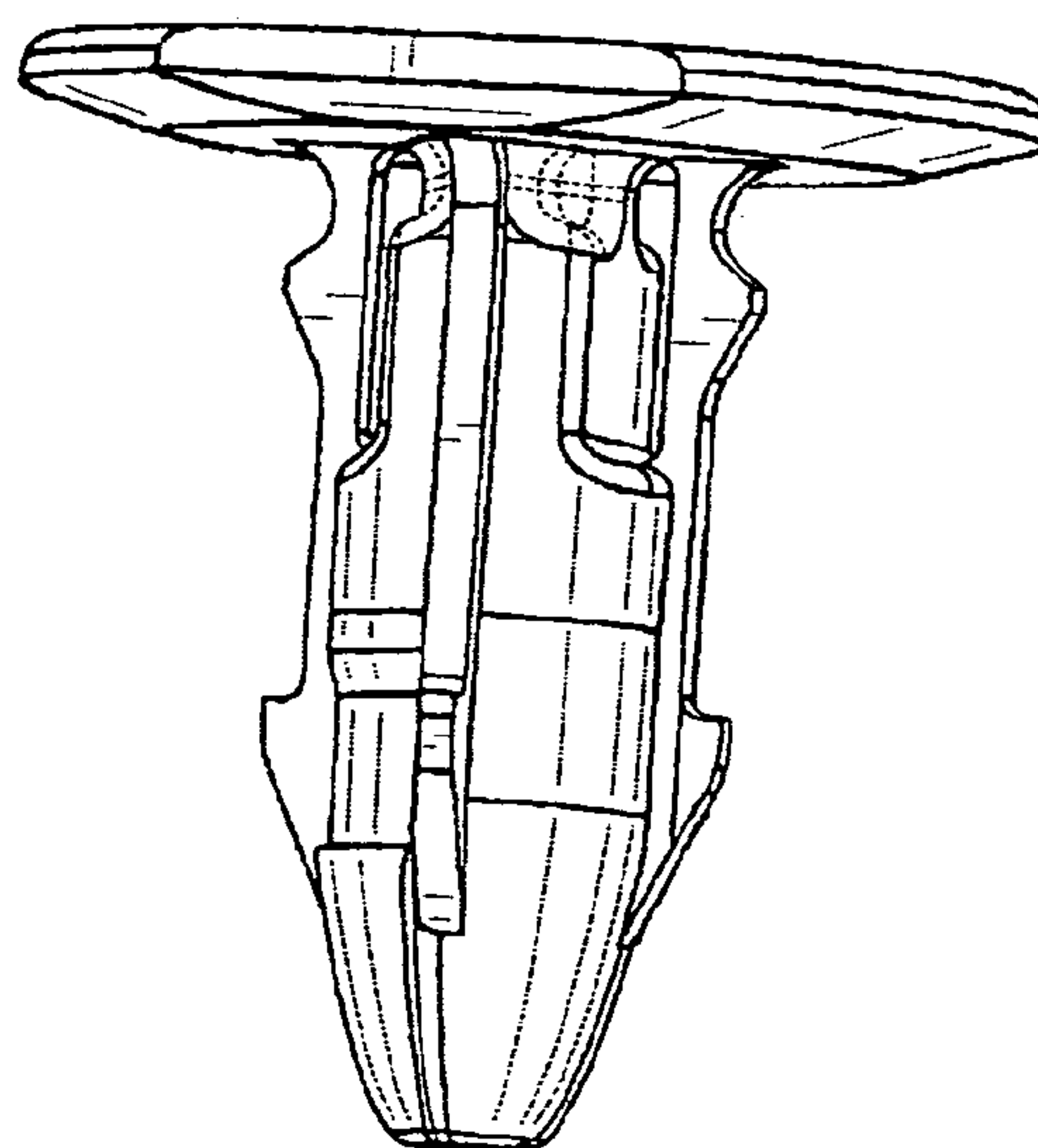


FIG. 6

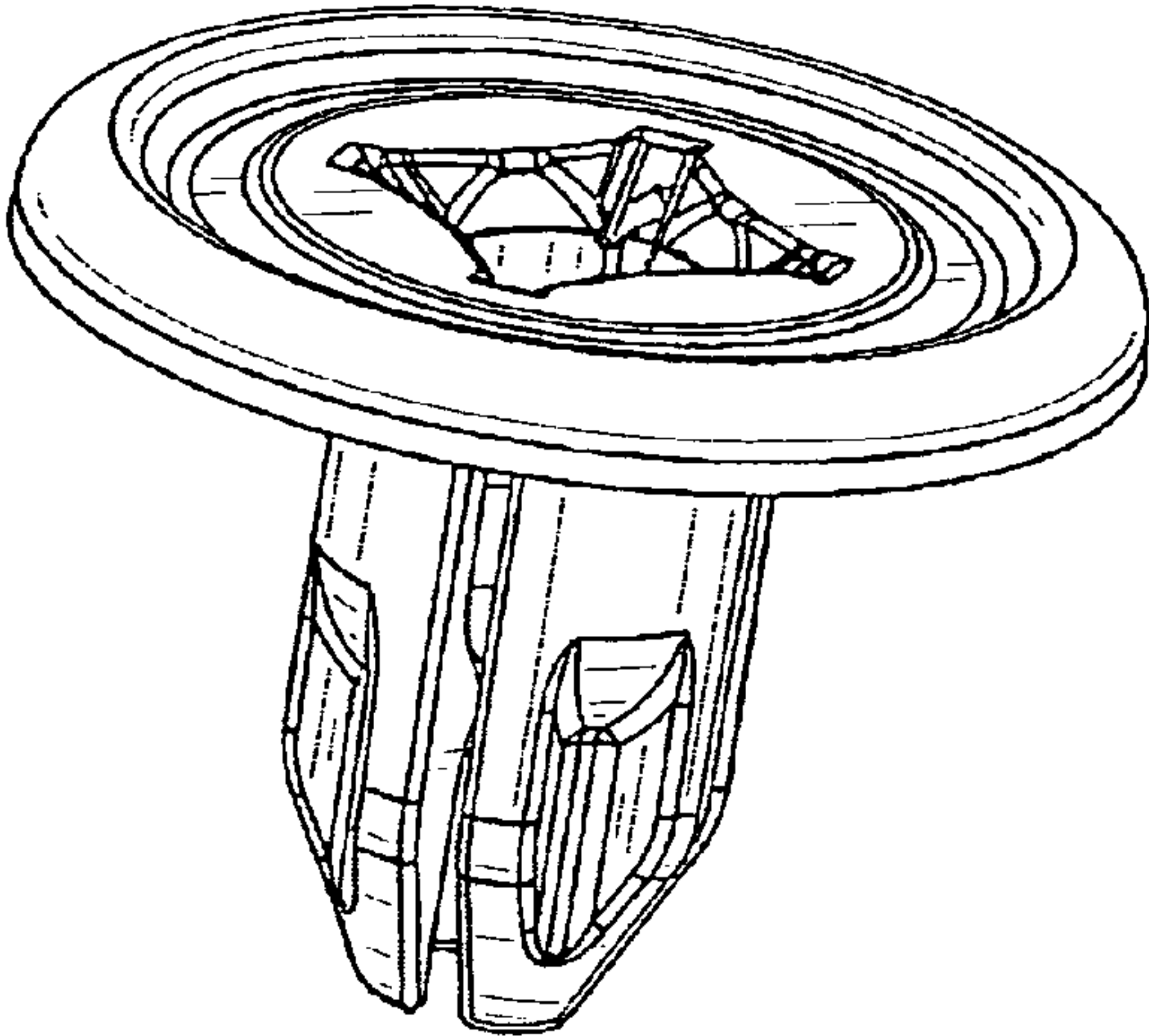


FIG. 7

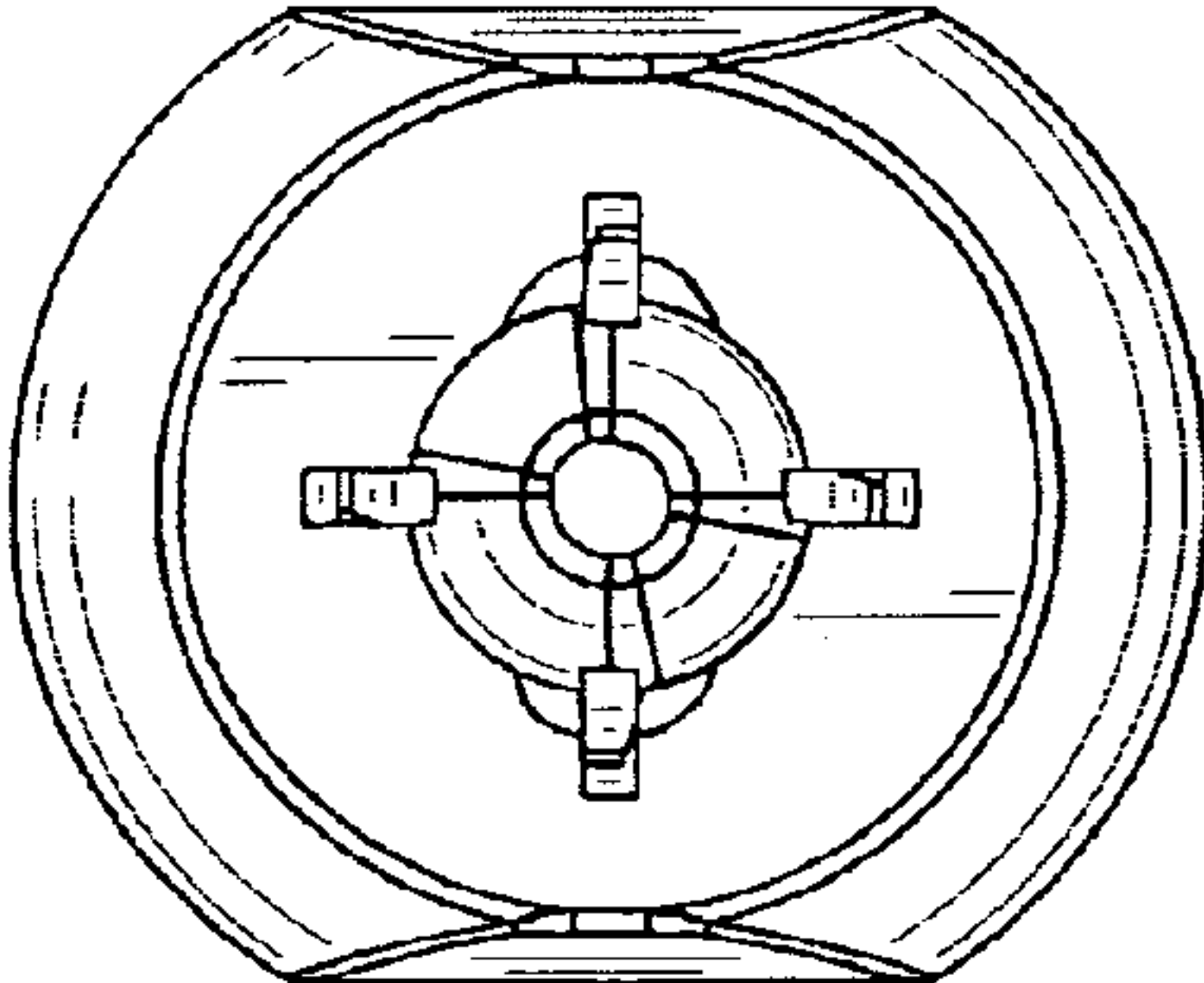


FIG. 8

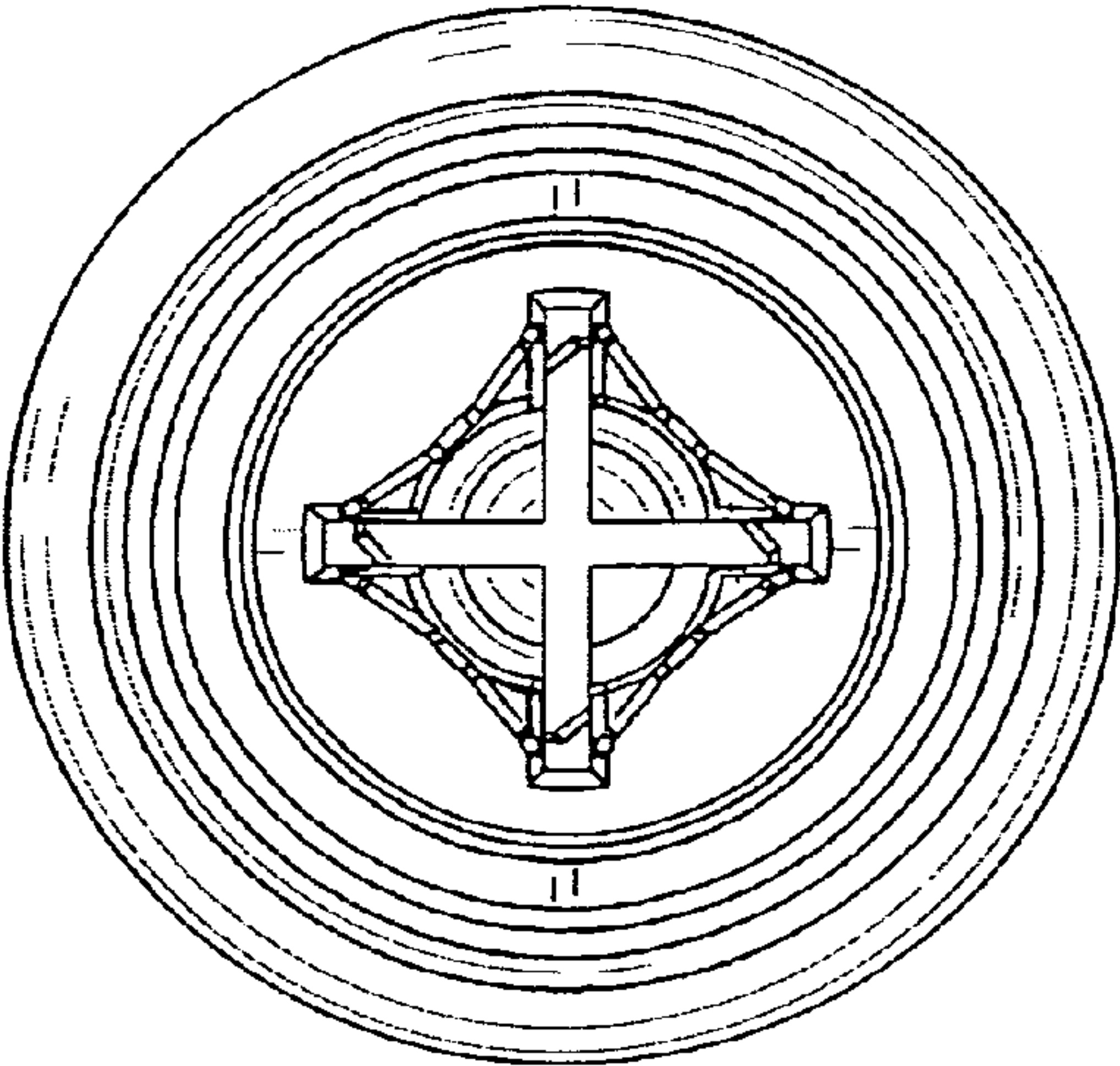


FIG. 9

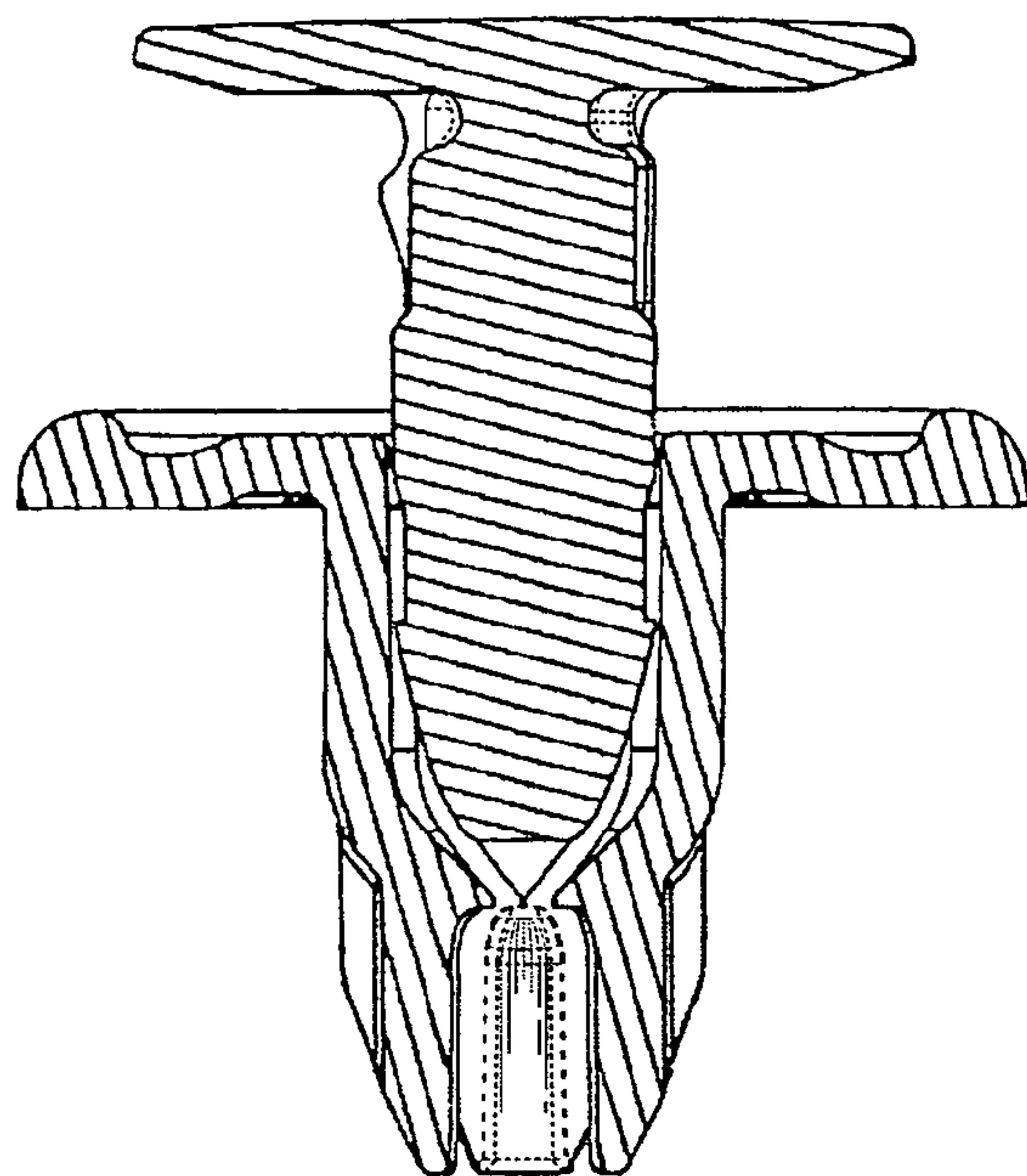


FIG. 10

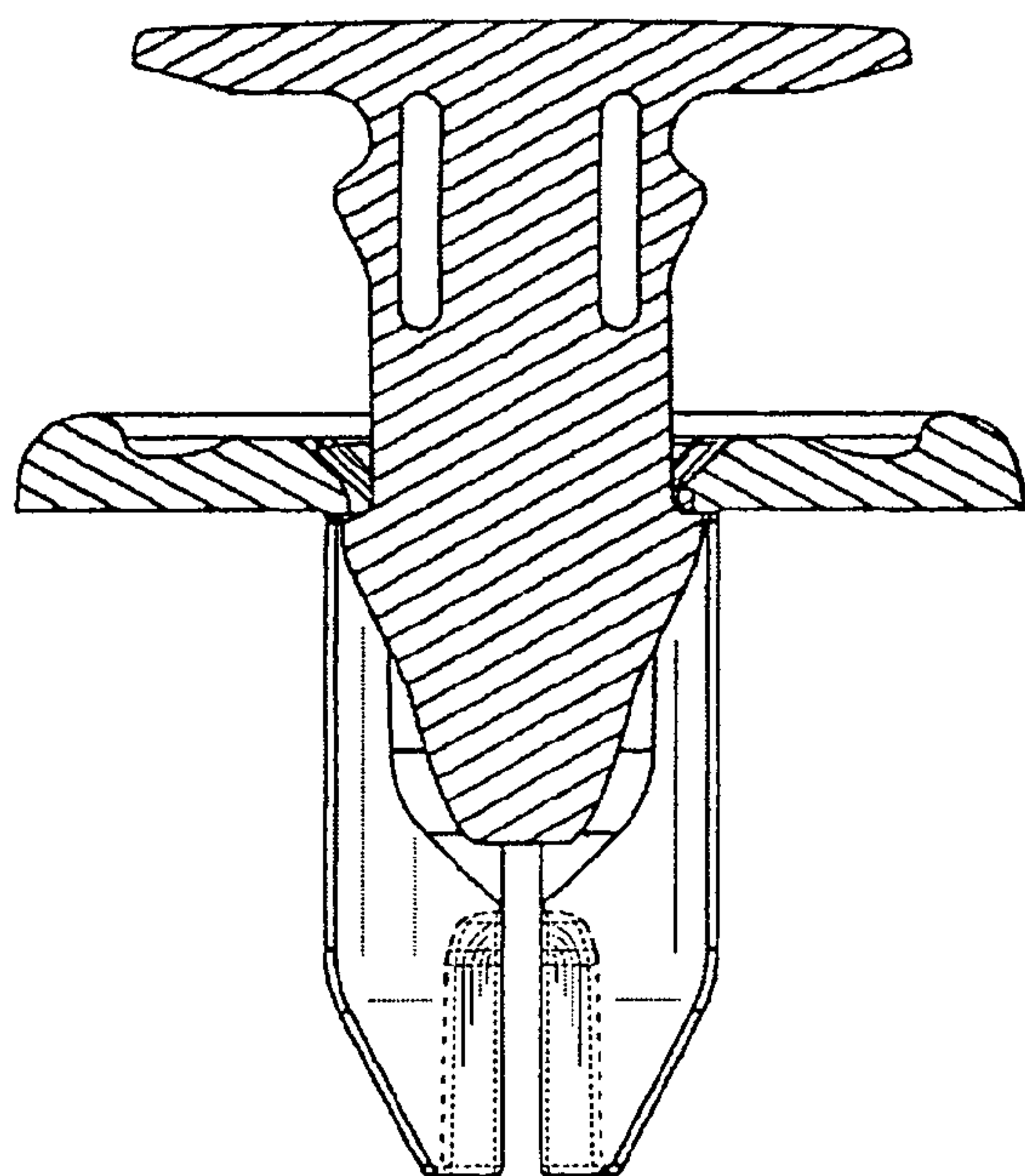


FIG. 11

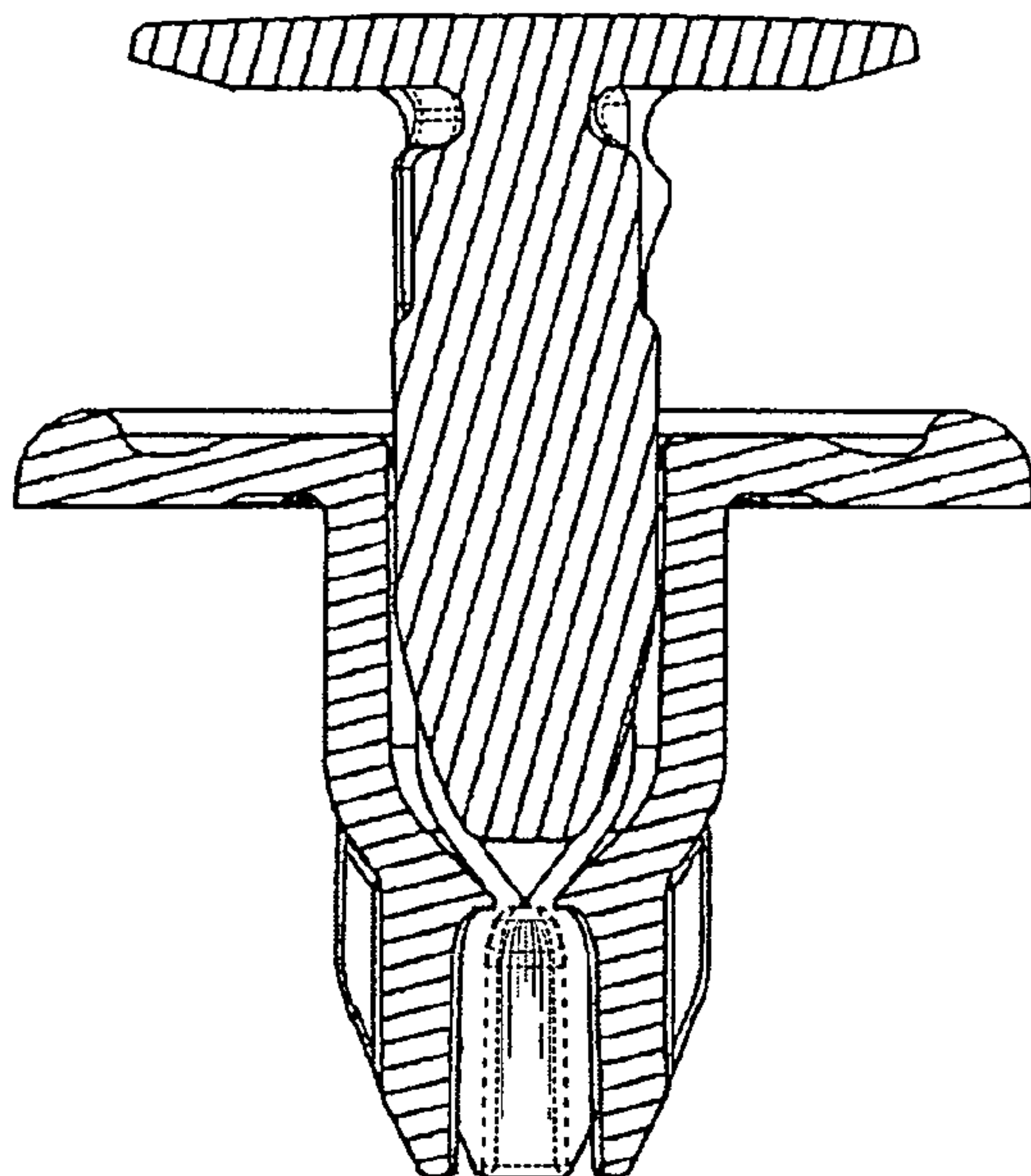


FIG. 12

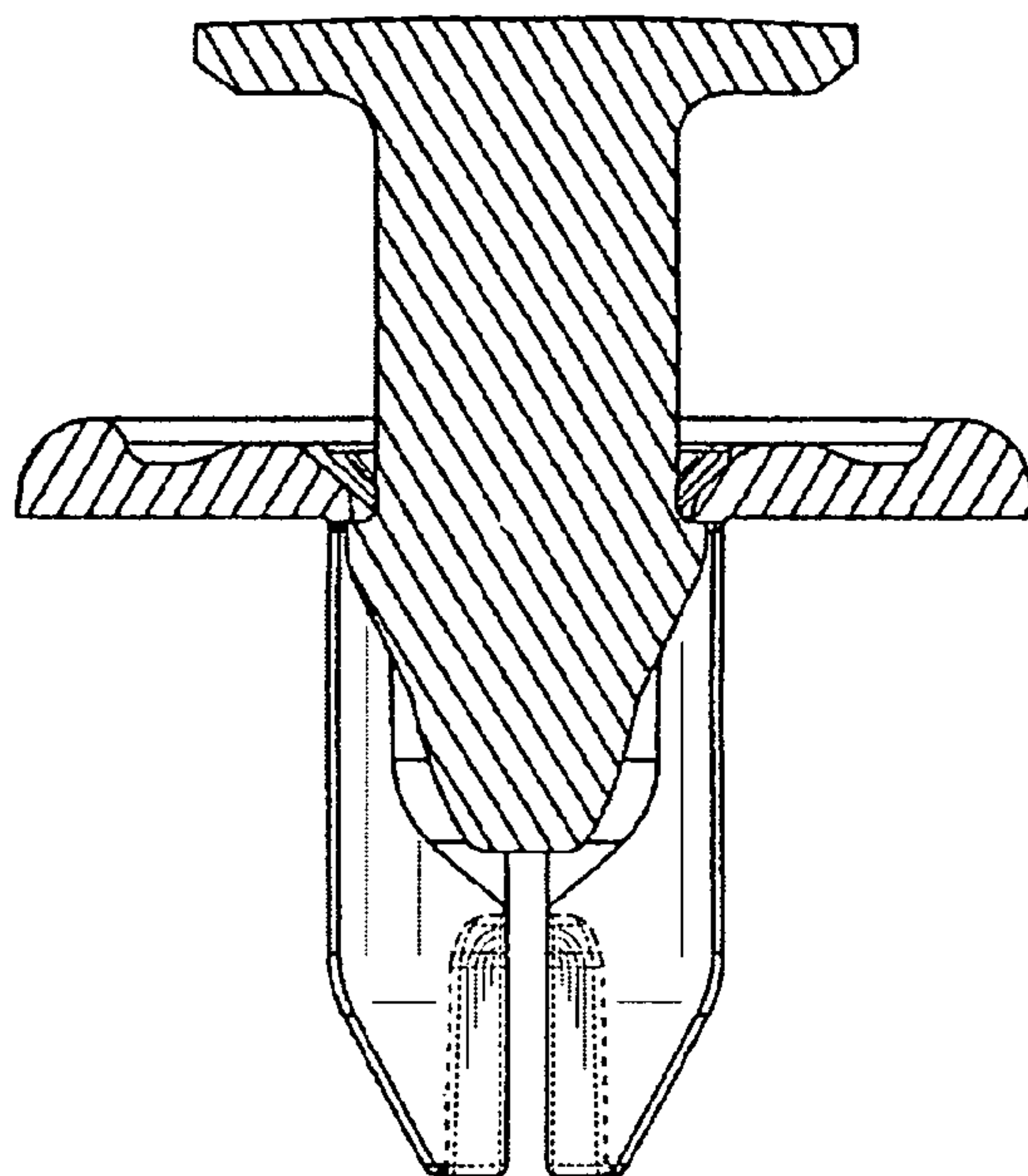


FIG. 13