



US00D675505S

(12) **United States Design Patent**
Rothbaum et al.

(10) **Patent No.:** **US D675,505 S**
(45) **Date of Patent:** **** Feb. 5, 2013**

(54) **STRAP WITH HOOK AND LOOP CLOSURE FOR A CORD MANAGEMENT SYSTEM**

(75) Inventors: **Wayne Philip Rothbaum**, New York, NY (US); **Allison S. Conner**, Brooklyn, NY (US); **Robert B. Curtis**, New York, NY (US); **Jonas K. Damon**, New York, NY (US); **Daniel A. Sanchez**, Brooklyn, NY (US)

(73) Assignee: **CJD LLC**, New York, NY (US)

(**) Term: **14 Years**

(21) Appl. No.: **29/401,643**

(22) Filed: **Sep. 13, 2011**

(51) **LOC (9) Cl.** **08-05**

(52) **U.S. Cl.** **D8/356**

(58) **Field of Classification Search** D8/356,
D8/354, 349; 220/575; 206/521.15; 24/302,
24/16 R, 306; 439/501; 381/374; D14/217,
D14/205

See application file for complete search history.

(56) **References Cited**

U.S. PATENT DOCUMENTS

D39,960 S 5/1909 Mussillon
1,544,386 A 6/1925 Fridolph

(Continued)

FOREIGN PATENT DOCUMENTS

CN 201352845 Y 11/2009
GB 2420552 A 5/2006

(Continued)

OTHER PUBLICATIONS

Earbud Clips, printed Jun. 7, 2010, 3 pages.,www.wetjetset.com/store/item/42.

(Continued)

Primary Examiner — Cynthia Underwood

(74) *Attorney, Agent, or Firm* — Morgan, Lewis & Bockius LLP

(57) **CLAIM**

The ornamental design for a strap with hook and loop closure for a cord management system, as shown and described.

DESCRIPTION

The present application relates to the following Patents and Applications:

to U.S. utility patent application Ser. No. 12/761,326 filed Apr. 15, 2010, entitled Cord Management System, to U.S. design Pat. No. D636,659, filed Aug. 27, 2010, entitled Strap for a Cord Management System, to U.S. design patent application Ser. No. 29/368,755 filed Aug. 27, 2010, also entitled Strap for a Cord Management System,

to U.S. design application Ser. No. 29/388,372 filed Mar. 28, 2011, also entitled Strap for a Cord Management System, to U.S. design application Ser. No. 29/401,359 filed Sep. 11, 2011, entitled Strap with Cord Attachment Mechanism for a Cord Management System,

to U.S. design application Ser. No. 29/401,930 filed Sep. 16, 2011, entitled Strap with Cord Attachment Mechanism and Hook and Loop Closure for a Cord Management System, and to U.S. design application Ser. No. 29/401,360 filed Sep. 11, 2011, entitled Clip for a Cord Management System.

FIG. 1 is a perspective view of an embodiment of our new design of a strap with hook and loop closure for a cord management system.

FIG. 2 is a top view of the embodiment of FIG. 1.

FIG. 3 is a bottom view of the embodiment of FIG. 1.

FIG. 4 is a view of a first side of the embodiment of FIG. 1.

FIG. 5 is a view of a second side of the embodiment of FIG. 1.

FIG. 6 is a view of a third side of the embodiment of FIG. 1.

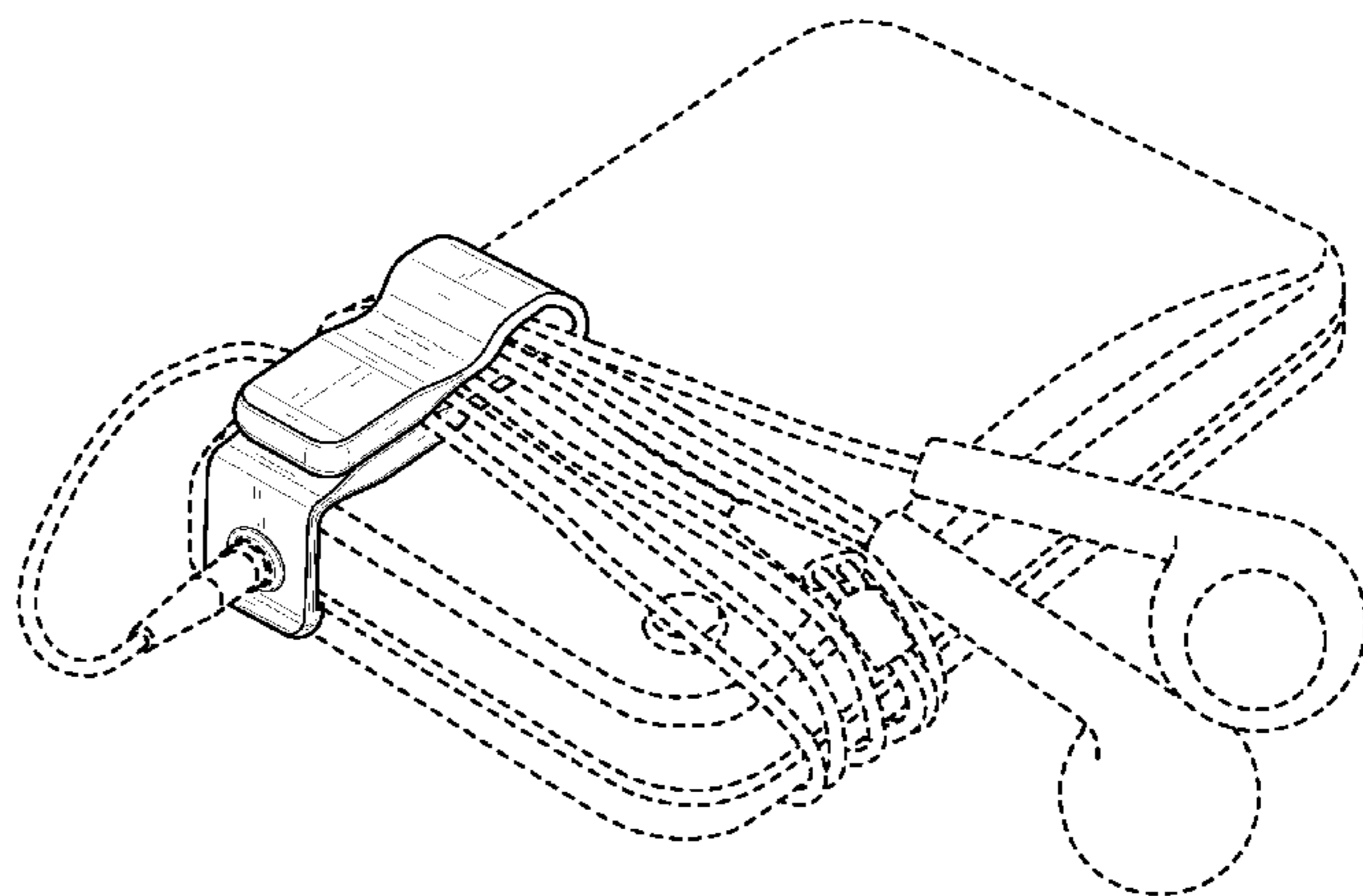
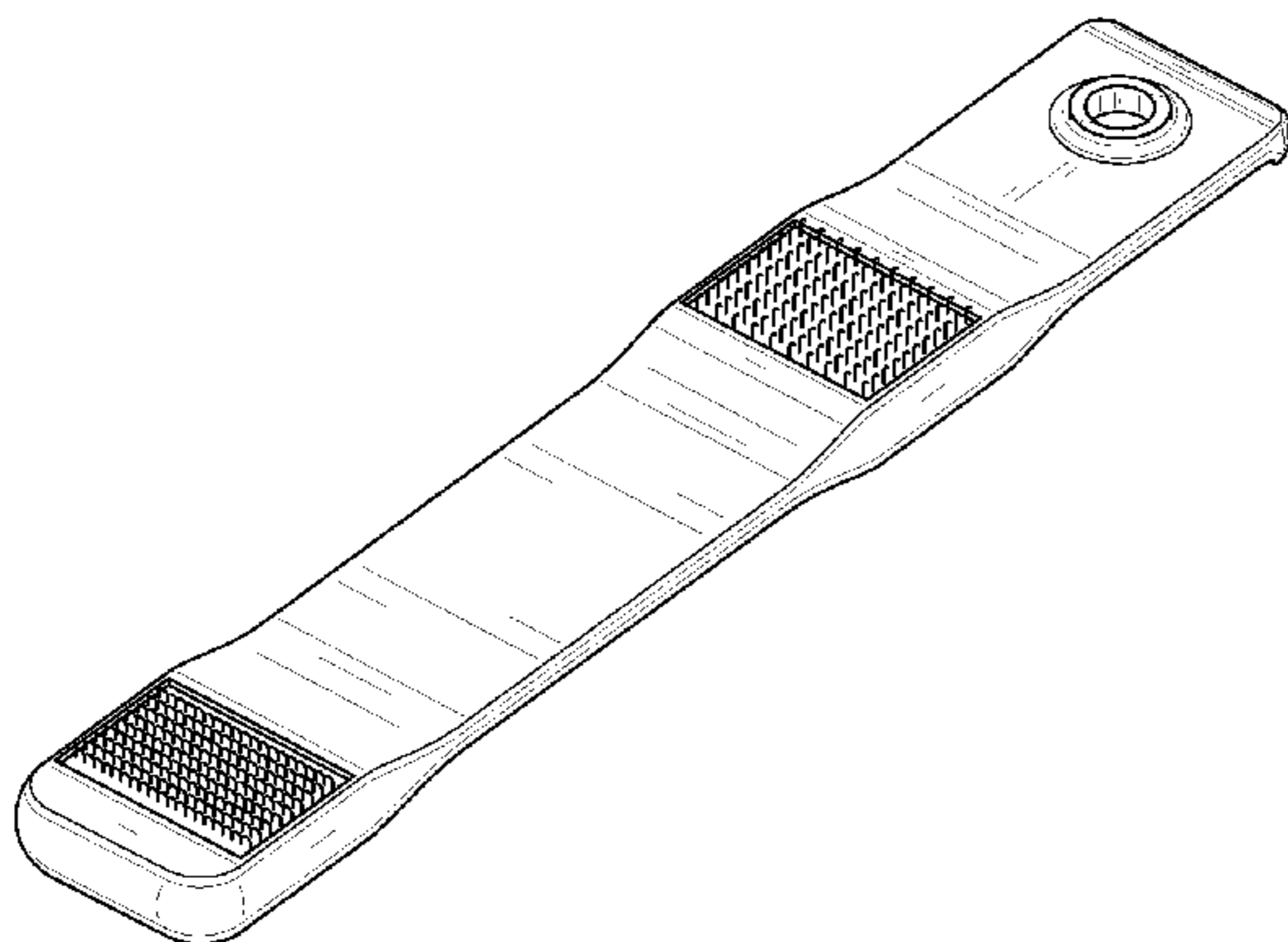
FIG. 7 is a view of a fourth side of the embodiment of FIG. 1.

FIG. 8 is another perspective view of the embodiment of FIG. 1 provided for illustrative purposes, the perspective view illustrating the embodiment when used in conjunction with an object; and,

FIG. 9 is another perspective view of the embodiment of FIG. 1 provided for illustrative purposes, the perspective view illustrating the embodiment when folded into an alternate configuration and when used in conjunction with an object.

The broken lines showing elements of the strap with hook and loop closure for a cord management system in the above described figures are for illustrative purposes only and form no part of the claimed design.

1 Claim, 6 Drawing Sheets



US D675,505 S

Page 2

U.S. PATENT DOCUMENTS

1,722,498	A	7/1929	Fridolph	
D206,401	S	12/1966	Fisher	
D224,960	S	10/1972	Wilson	
3,994,048	A	11/1976	Rosenthal	
4,815,172	A	3/1989	Ward	
4,940,427	A	7/1990	Pearson	
4,957,232	A	9/1990	Sprague	
5,048,158	A	9/1991	Koerner	
5,130,899	A	7/1992	Larkin et al.	
5,142,743	A	9/1992	Hahn	
5,168,603	A	12/1992	Reed	
D357,739	S	4/1995	Stewart et al.	
5,402,971	A	4/1995	Bower	
5,517,838	A	5/1996	Moore	
5,572,773	A	11/1996	Bauer	
5,584,452	A	12/1996	Koike	
5,604,961	A	2/1997	Cole	
5,682,653	A	11/1997	Berglof et al.	
D390,447	S *	2/1998	Colen, Jr.	D8/356
5,802,676	A	9/1998	Tolan	
D401,137	S	11/1998	Boelling	
6,010,105	A *	1/2000	Davis	248/317
6,044,525	A	4/2000	Sastre et al.	
6,085,393	A	7/2000	Tsui et al.	
6,301,754	B1	10/2001	Grunberger et al.	
6,344,021	B1	2/2002	Juster et al.	
6,427,290	B1	8/2002	Liu	
6,467,132	B1	10/2002	Robley	
6,490,767	B2	12/2002	Haiduk	
6,499,199	B2	12/2002	Frazier	
6,581,885	B2	6/2003	Polad	
6,588,074	B2	7/2003	Galkiewicz et al.	
6,701,580	B1	3/2004	Bandyopadhyay	
D488,374	S	4/2004	Hussaini et al.	
6,763,554	B1	7/2004	Torrey et al.	
6,880,270	B2	4/2005	Prather	
7,039,958	B2	5/2006	Henricksen	
7,096,544	B2	8/2006	Lusardi	
7,213,278	B2 *	5/2007	Peterson et al.	5/413 R
D567,630	S	4/2008	Brassard	
D567,631	S	4/2008	Brassard	
D572,156	S *	7/2008	Payne	D10/71
7,516,591	B2	4/2009	Wolner et al.	
7,543,359	B2	6/2009	Moughelbay et al.	
D599,196	S *	9/2009	Ruffin et al.	D8/356
D613,137	S *	4/2010	Wieberdink et al.	D8/14
7,712,696	B2	5/2010	Loh	
D619,884	S	7/2010	Hansort	
D624,378	S *	9/2010	Wysopal	D8/40
D625,579	S	10/2010	Lee et al.	
D636,659	S *	4/2011	Rothbaum et al.	D8/356
D639,963	S	6/2011	Kase	

8,002,159	B2	8/2011	Cragg	
D645,333	S *	9/2011	Rothbaum et al.	D8/356
8,103,352	B2	1/2012	Fried et al.	
D654,052	S *	2/2012	Lee et al.	D14/205
2001/0035242	A1	11/2001	Hughs et al.	
2002/0073516	A1	6/2002	Behar	
2002/0112323	A1	8/2002	Nire	
2003/0167605	A1	9/2003	Schultz	
2005/0016760	A1	1/2005	Vasichek	
2005/0025329	A1	2/2005	Lee	
2005/0255898	A1	11/2005	Huang	
2006/0008106	A1	1/2006	Harper	
2006/0186150	A1	8/2006	Willows et al.	
2007/0086617	A1	4/2007	Loh	
2007/0152008	A1	7/2007	Case	
2008/0041897	A1	2/2008	Malhotra	
2008/0149679	A1	6/2008	Case et al.	
2009/0013504	A1	1/2009	Crespo	
2009/0016559	A1	1/2009	Cleary	
2009/0314515	A1	12/2009	Bevirt et al.	

FOREIGN PATENT DOCUMENTS

JP	63125493	U	8/1988
JP	11317995	A	11/1999
JP	2001169381	A	6/2001
JP	2003230418	A	8/2003
JP	2003319484	A	11/2003
JP	2006081130	A	3/2006
JP	2006-222712	A	8/2006
JP	2009212918	A	9/2009
WO	WO 2004/071056	A1	8/2004

OTHER PUBLICATIONS

Headphone Cable Tidy—Pack of 3—Accessories for PDA, Smartphone . . . , printed Jun. 7, 2010, 1 page, www.proporta.com/F02/PPF02P05.php?t_id=4452&t_mode=des

Quogue Capital LLC et al., PCT/US2009/067927, Dec. 14, 2009, International Search Report and Written Opinion mailed Jul. 14, 2010, 8 pages.

Sumajin Smart Wrap Earphone Cord Manager, printed Jun. 7, 2010, 3 pages, www.ilounge.com/index.php/reviews/entry/sumajin-smartwrap

Use Magnetic Paper Clips to Keep Cords from Tangling, , printed Jun. 7, 2010, 5 pages, www.geeksugar.com/Use-Magnetic-Paper-Clips-Keep-Cords-From-Tangling.

CJD LLC, PCT/US2010/031087, Apr. 14, 2010, International Search Report and Written Opinion mailed Apr. 29, 2011, 23 pages.

Rothbaum et al., PCT/US2010/053244, Oct. 19, 2010, International Search Report and Written Opinion mailed Jun. 24, 2011, 22 pages.

* cited by examiner

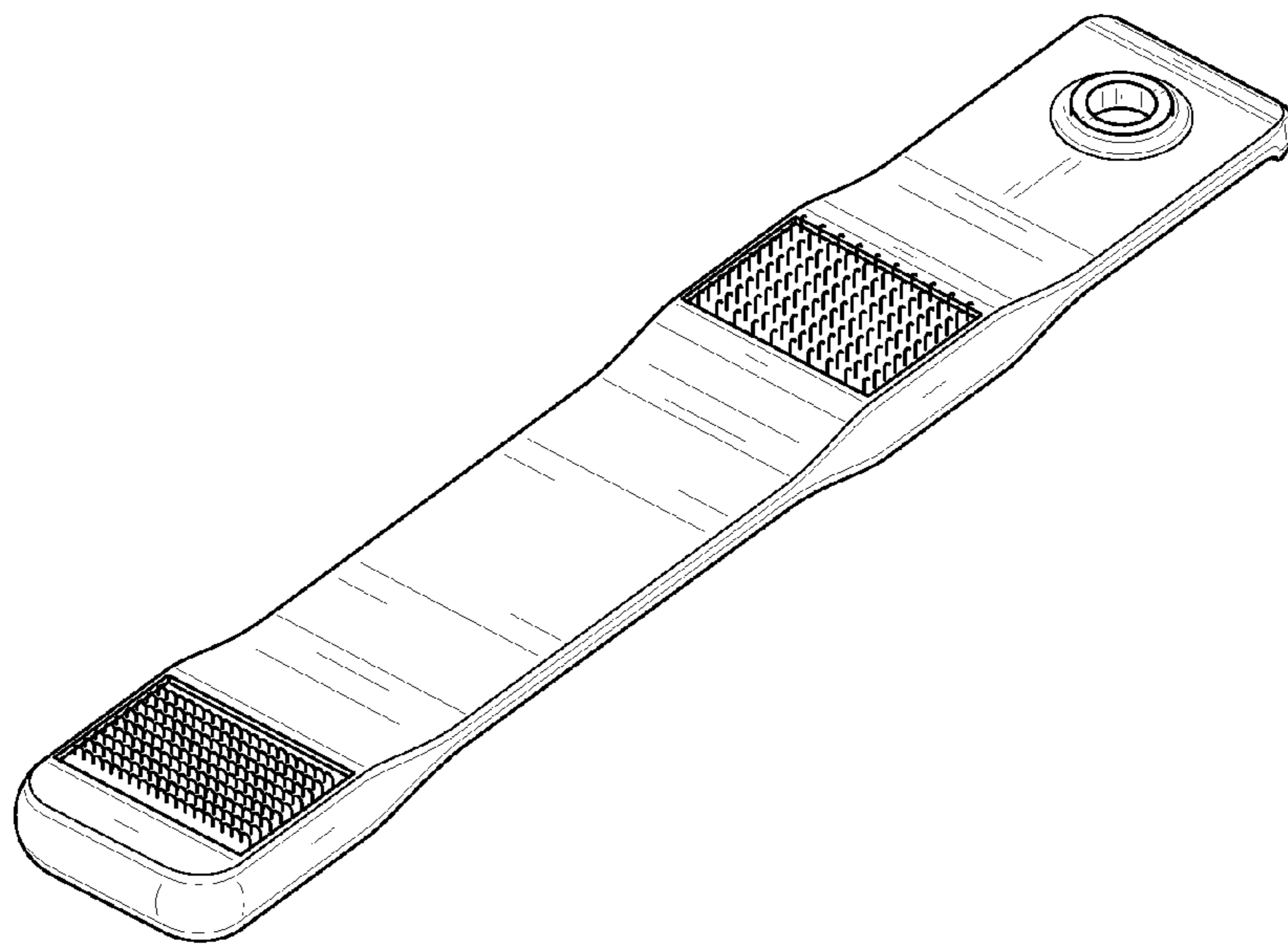


FIG. 1

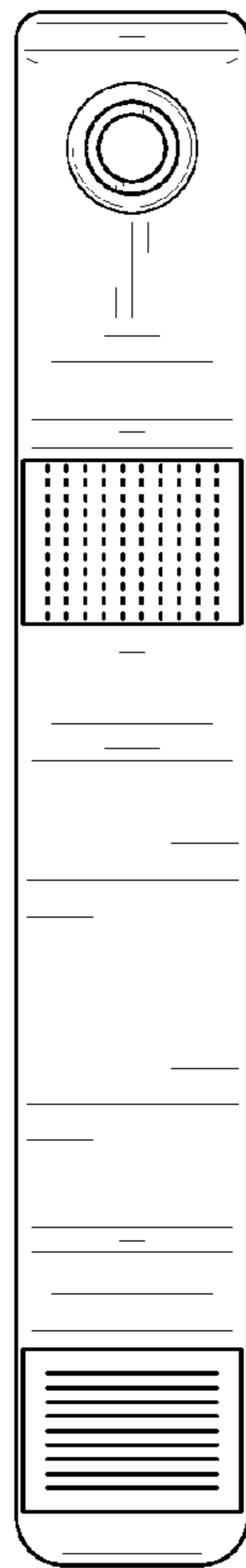


FIG. 2

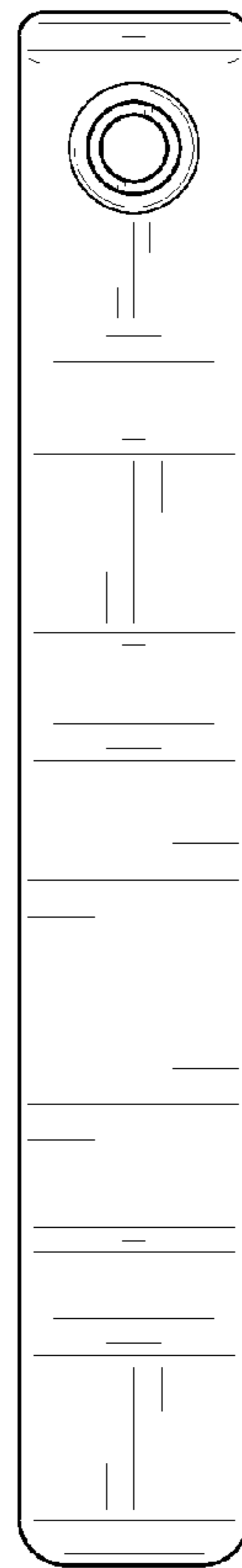


FIG. 3

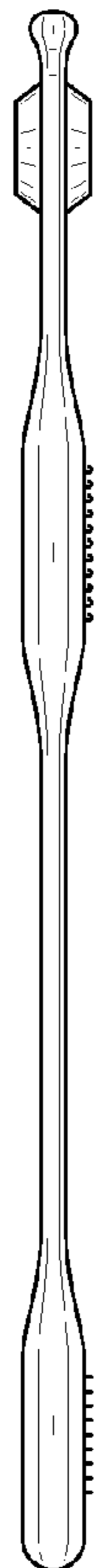


FIG. 4

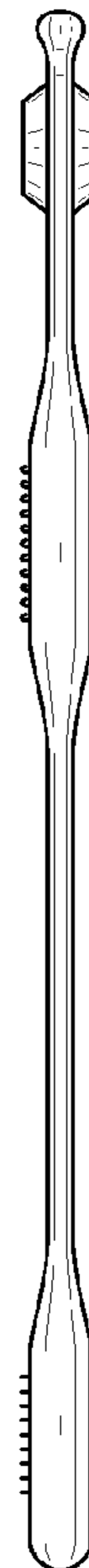


FIG. 5

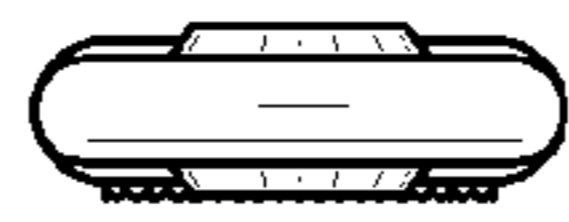


FIG. 6

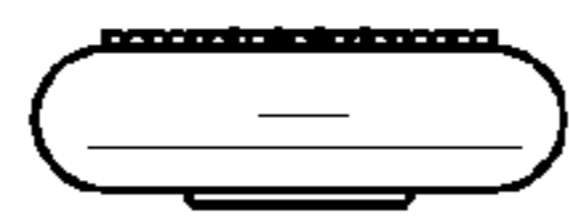


FIG. 7

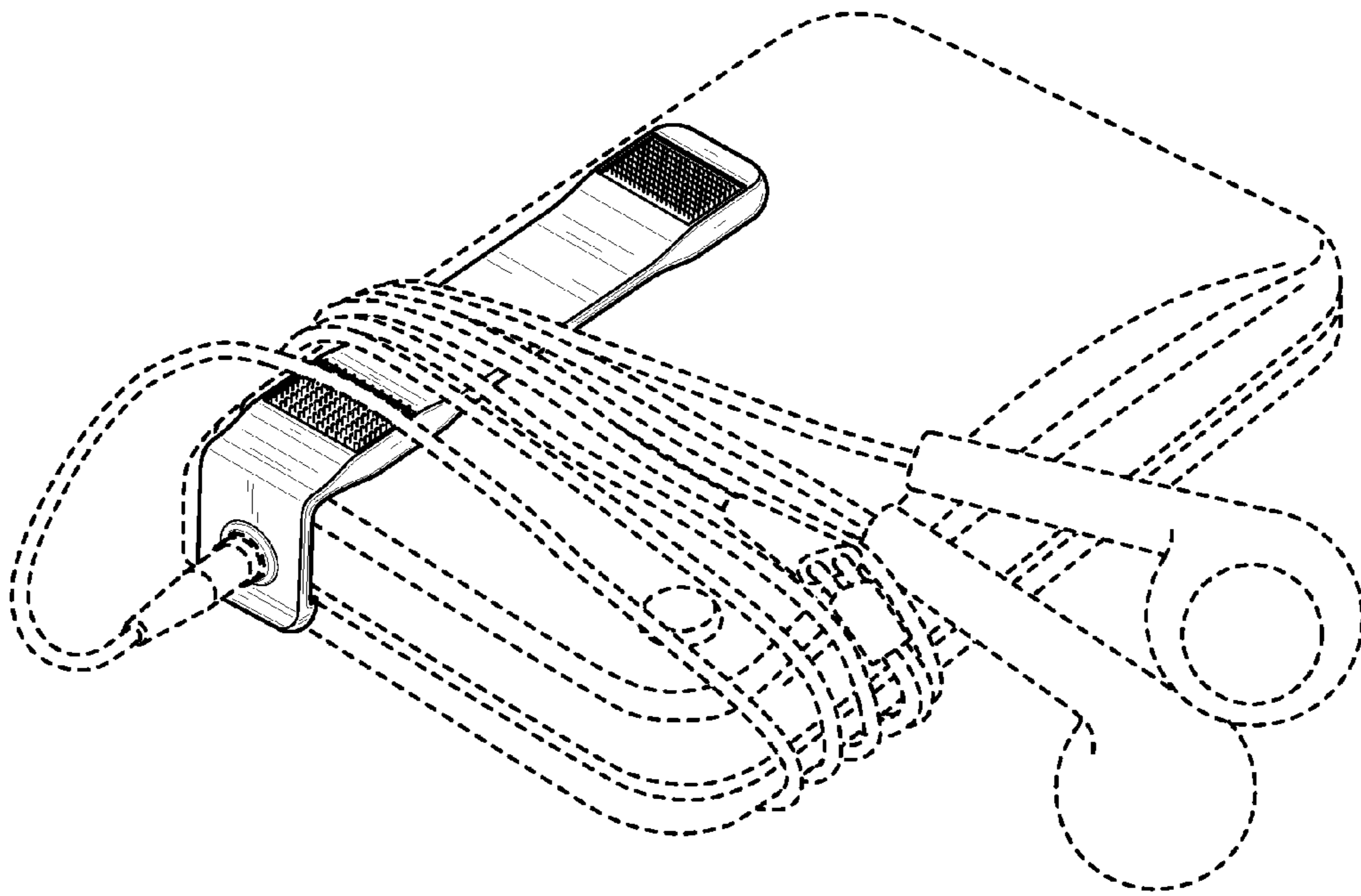


FIG. 8

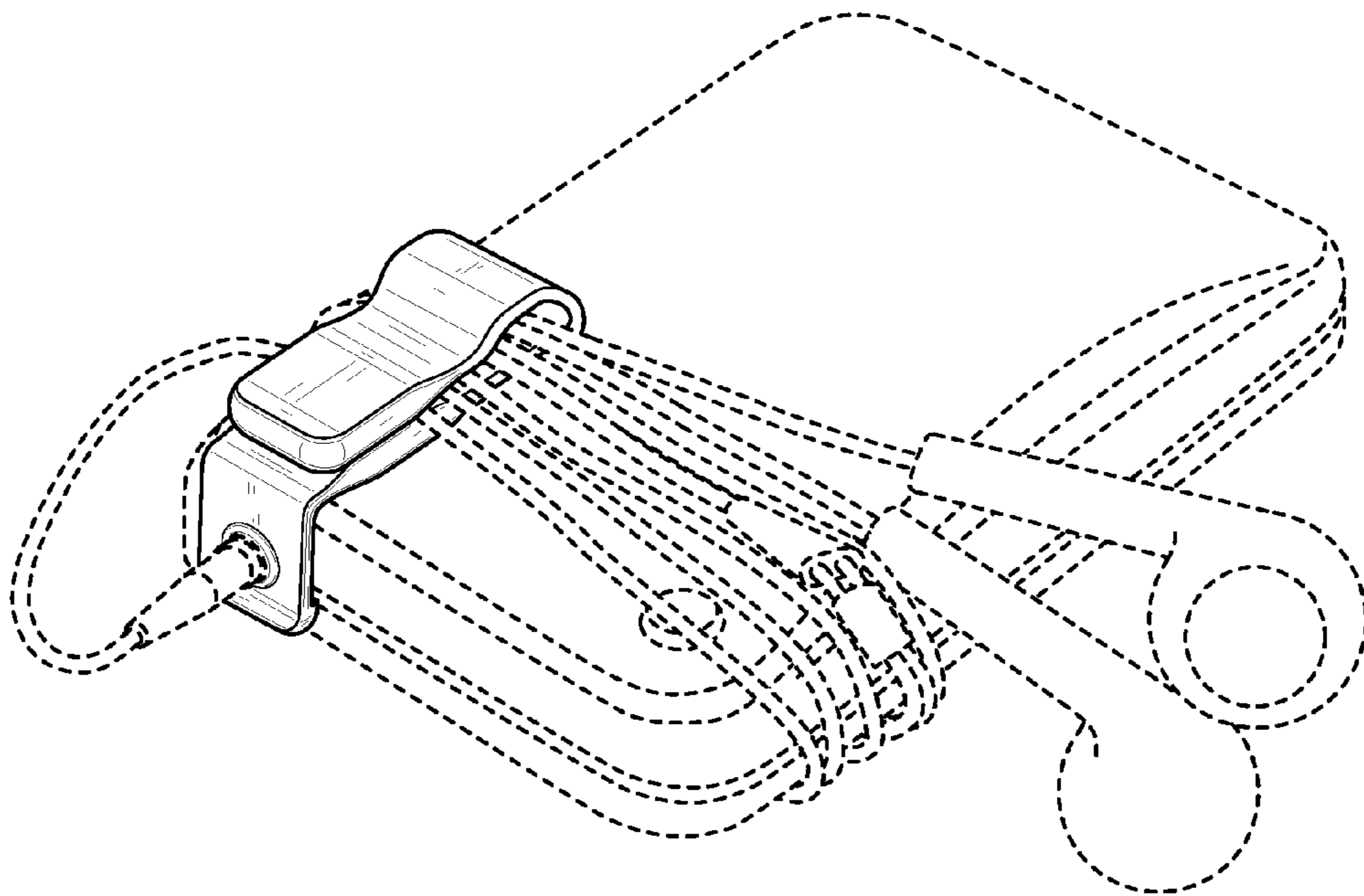


FIG. 9