



US00D675504S

(12) **United States Design Patent**
Robinson et al.

(10) **Patent No.:** **US D675,504 S**

(45) **Date of Patent:** **** Feb. 5, 2013**

(54) **UTILITY KNIFE HANDLE**

(75) Inventors: **Glenn Robinson**, Parkland, FL (US);
Michael Garcia, Coral Springs, FL (US)

(73) Assignee: **IBT Holdings, LLC**, Deerfield Beach,
FL (US)

(**) Term: **14 Years**

(21) Appl. No.: **29/395,471**

(22) Filed: **Jan. 30, 2012**

(51) **LOC (9) Cl.** **08-03**

(52) **U.S. Cl.** **D8/99**

(58) **Field of Classification Search** D8/95-99,
D8/105, 107; D22/118; 30/154-162, 329-331,
30/339

See application file for complete search history.

(56) **References Cited**

U.S. PATENT DOCUMENTS

D420,270	S	*	2/2000	Martone	D8/99
D455,061	S	*	4/2002	Huang	D8/98
D506,664	S	*	6/2005	Budrow	D8/99
D508,839	S	*	8/2005	Brown et al.	D8/99
D510,010	S	*	9/2005	Brown et al.	D8/99
D511,288	S	*	11/2005	Brown et al.	D8/99
D511,447	S	*	11/2005	Brown et al.	D8/99

D512,296	S	*	12/2005	Ping	D8/99
D564,327	S	*	3/2008	Wu	D8/99
D610,895	S	*	3/2010	Garcia et al.	D8/107
D633,357	S	*	3/2011	Garcia et al.	D8/83
D633,358	S	*	3/2011	Deguglimo et al.	D8/83

* cited by examiner

Primary Examiner — Philip S Hyder

Assistant Examiner — Roselynn Cody

(74) *Attorney, Agent, or Firm* — Dan DeLaRosa

(57) **CLAIM**

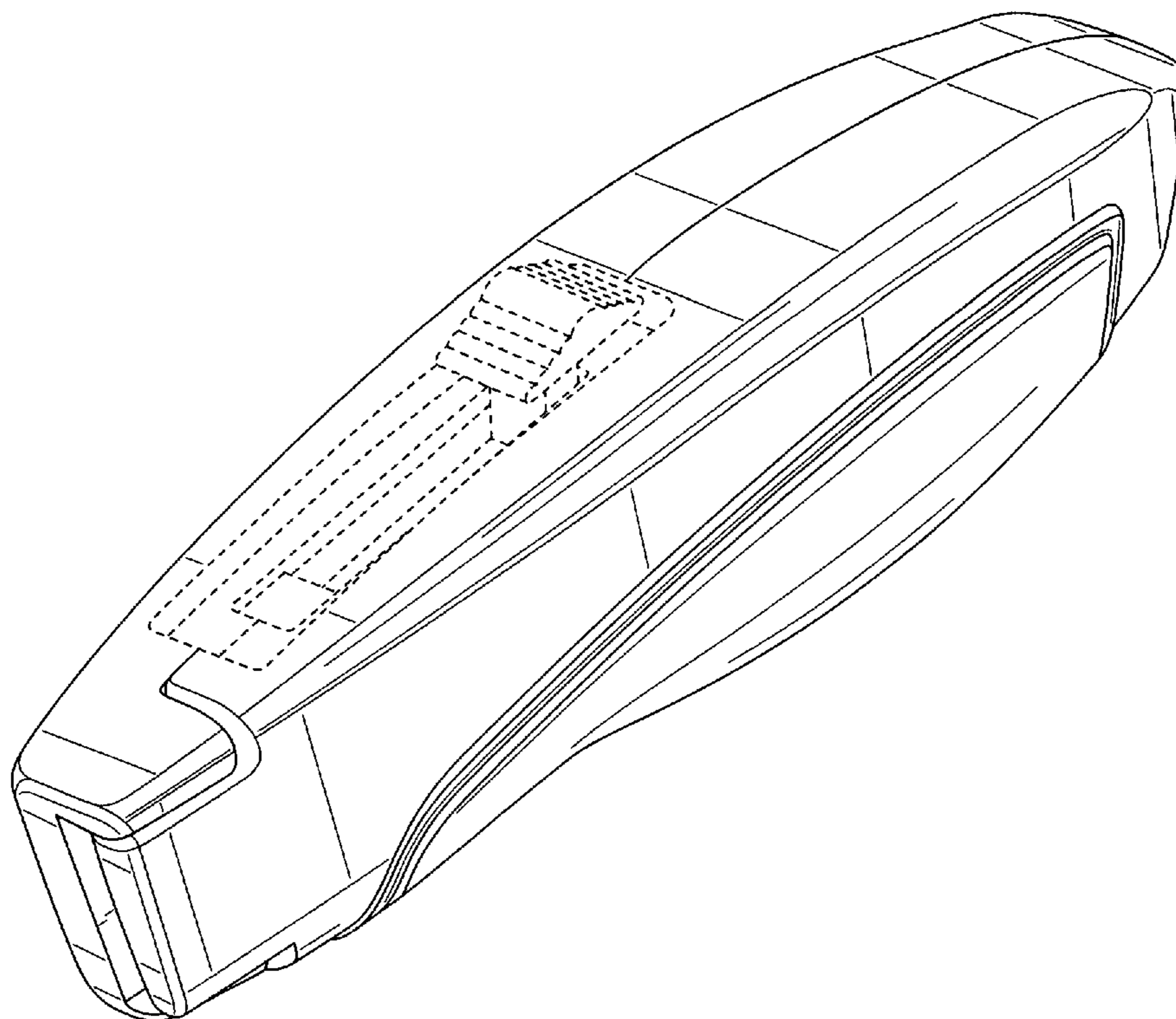
The ornamental design for a utility knife handle, as shown and described.

DESCRIPTION

FIG. 1 is a front perspective view of the utility knife handle of the present invention showing my new design; FIG. 2 is a front elevational view thereof; FIG. 3 is a back elevational view thereof; FIG. 4 is side elevational view thereof; FIG. 5 is another side elevational view thereof; FIG. 6 is a top plan view thereof; and, FIG. 7 is a bottom plan view thereof.

The broken lines in the drawings illustrate features of the utility knife handle that form no part of the claim.

1 Claim, 6 Drawing Sheets



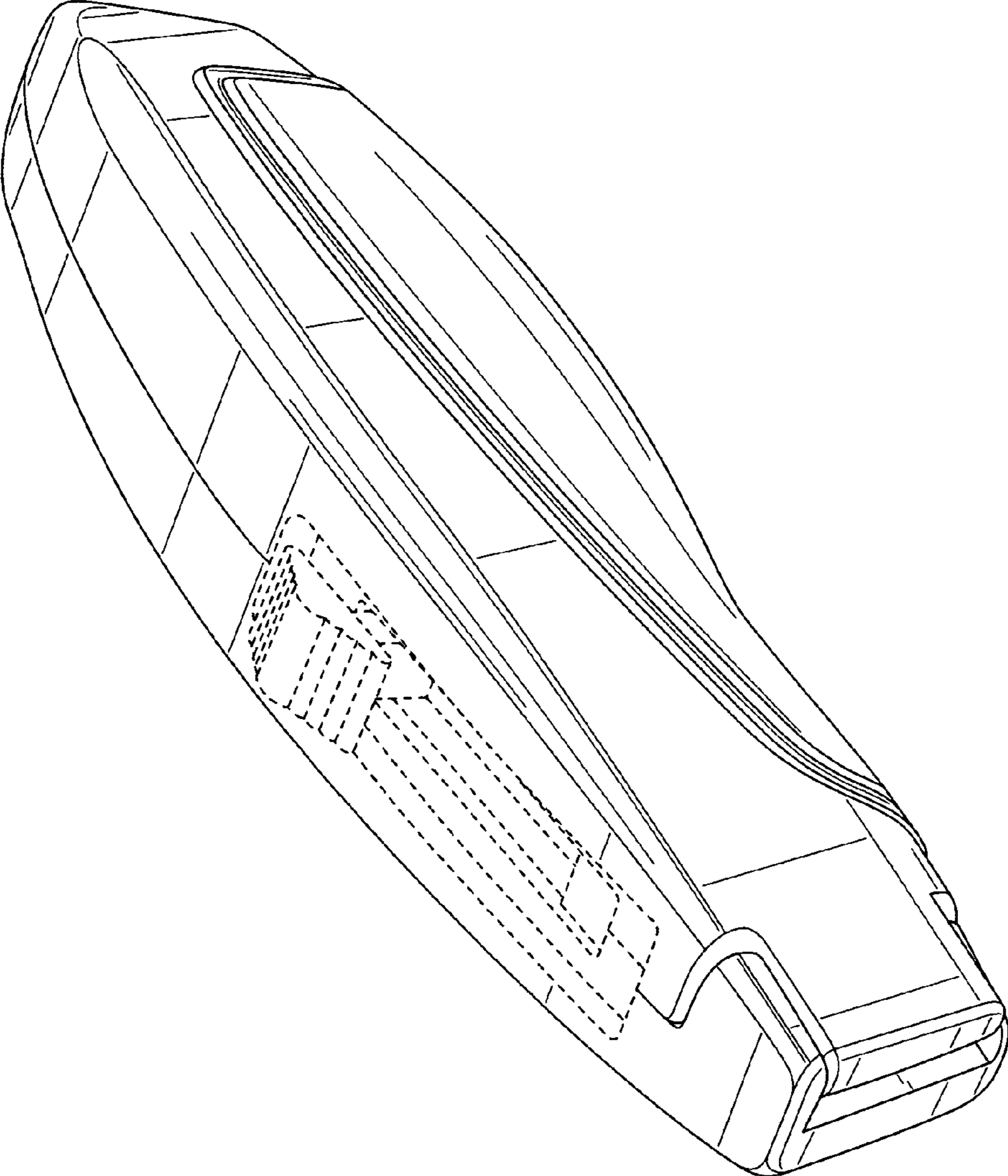


FIG. 1

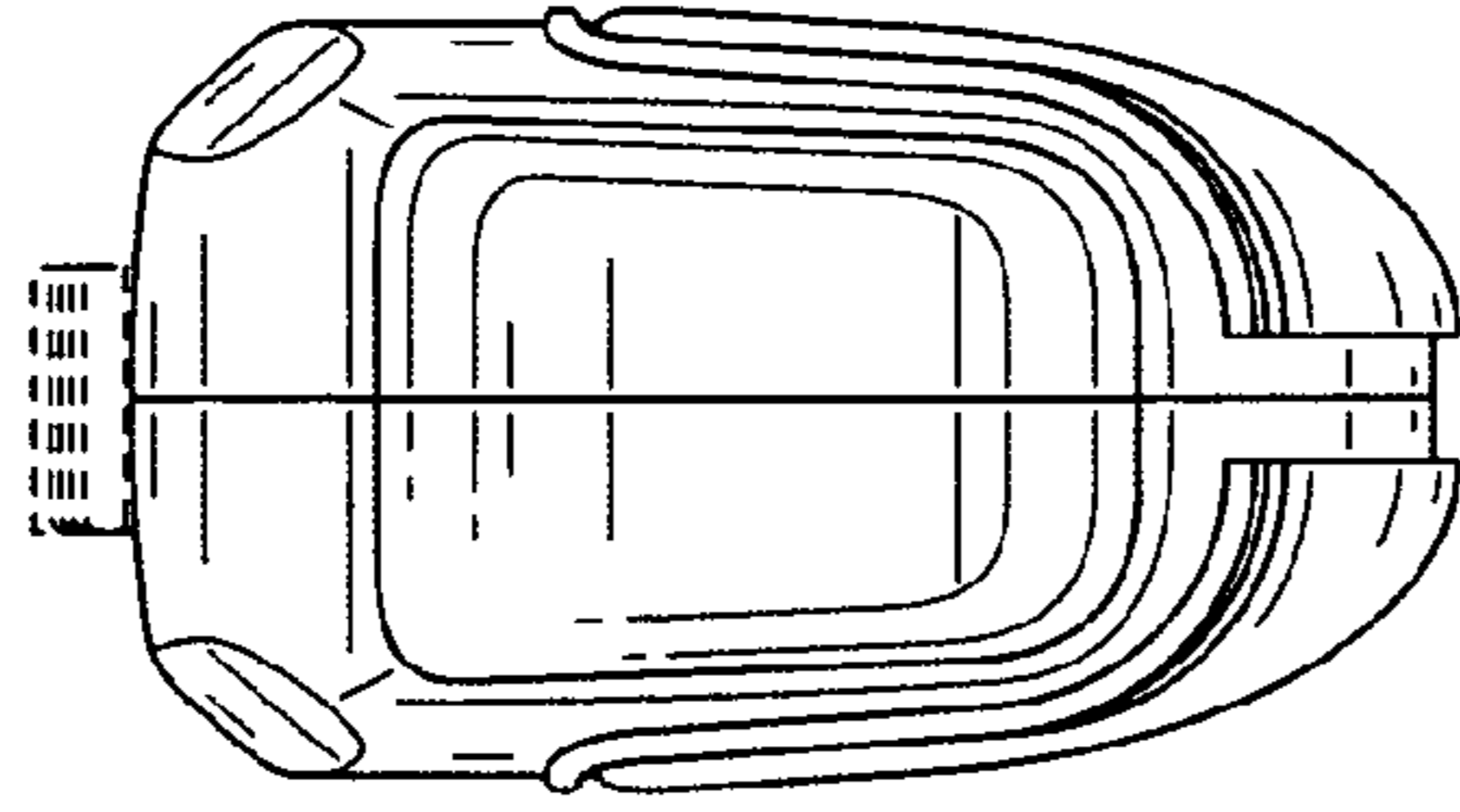


FIG. 3

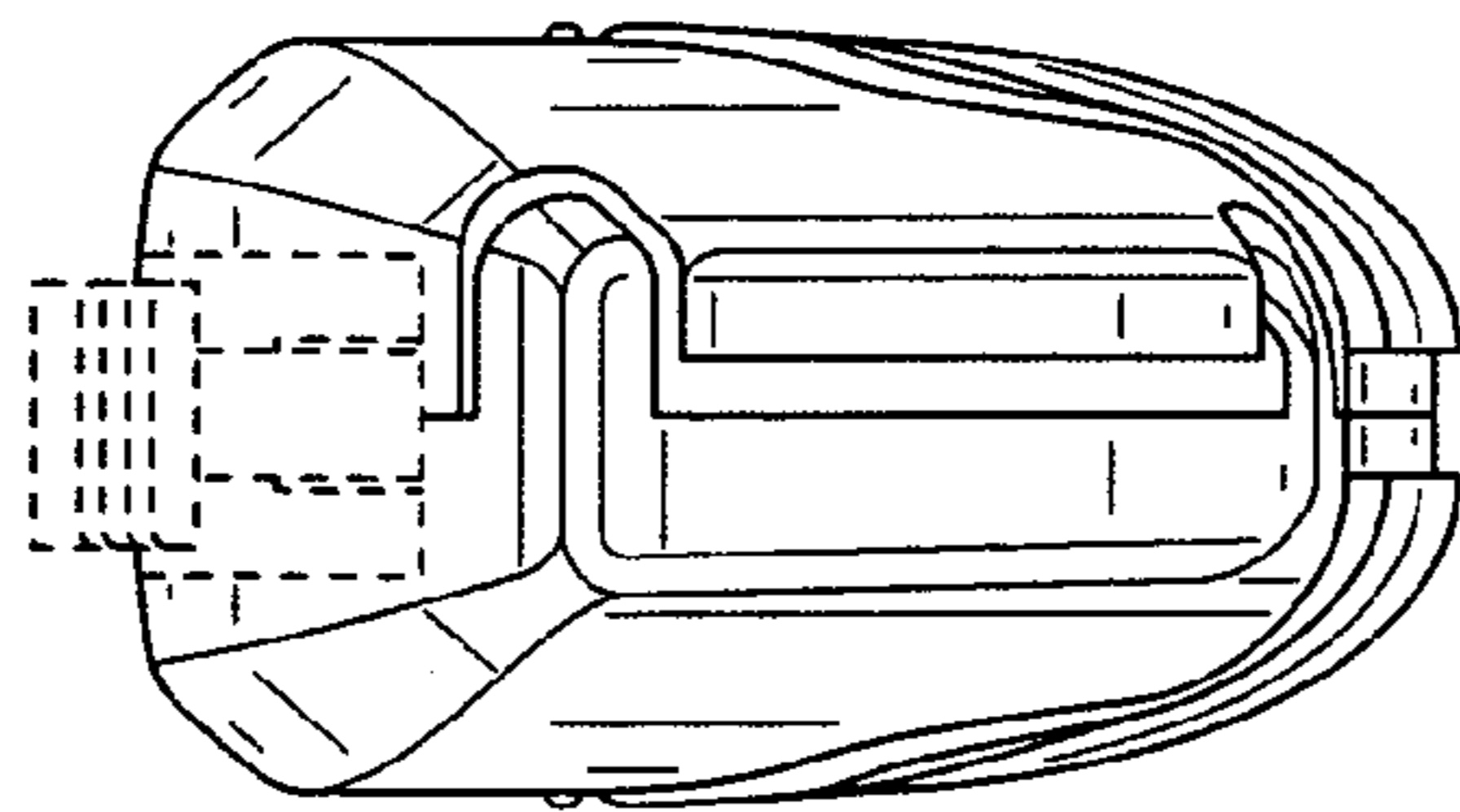


FIG. 2

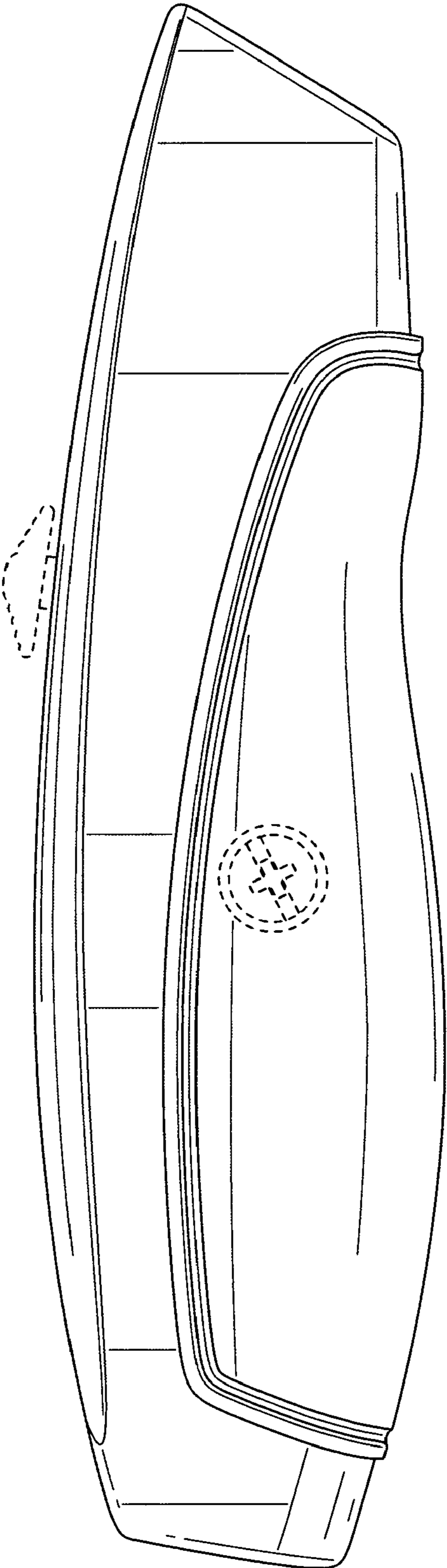


FIG. 4



FIG. 5

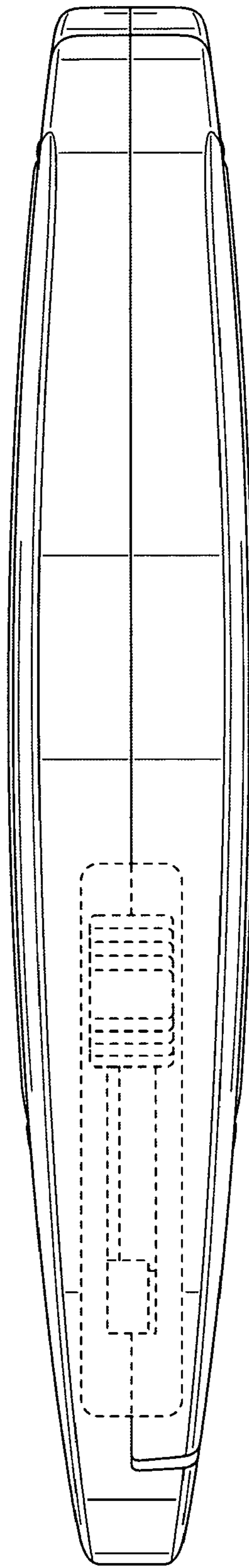


FIG. 6

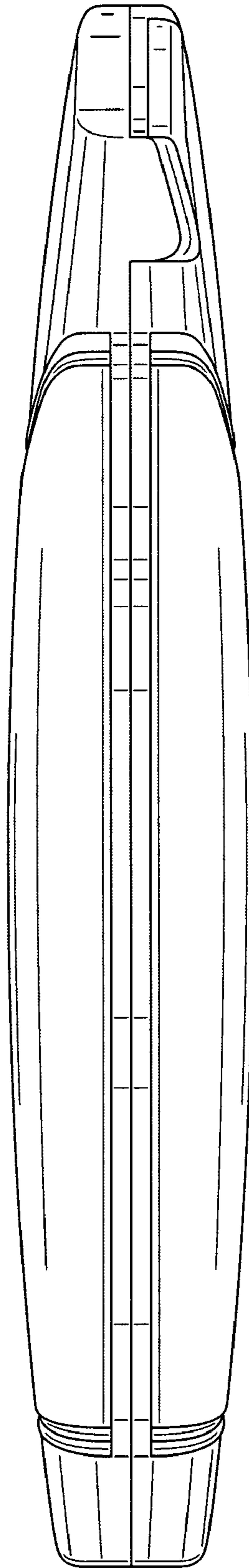


FIG. 7