



US00D675503S

(12) **United States Design Patent**  
**Robinson et al.**

(10) **Patent No.:** **US D675,503 S**

(45) **Date of Patent:** **\*\* Feb. 5, 2013**

(54) **UTILITY KNIFE HANDLE**

D606,838 S \* 12/2009 van Deursen ..... D8/99  
D610,895 S \* 3/2010 Garcia et al. .... D8/107  
D640,117 S \* 6/2011 Chang ..... D8/98

(75) Inventors: **Glenn Robinson**, Parkland, FL (US);  
**Michael Garcia**, Coral Springs, FL (US)

\* cited by examiner

(73) Assignee: **IBT Holdings, LLC**, Deerfield Beach,  
FL (US)

*Primary Examiner* — Philip S Hyder

*Assistant Examiner* — Roselynn Cody

(\*\*) Term: **14 Years**

(74) *Attorney, Agent, or Firm* — Dan DeLaRosa

(21) Appl. No.: **29/395,470**

(57) **CLAIM**

The ornamental design for a utility knife handle, as shown and described.

(22) Filed: **Jan. 30, 2012**

(51) **LOC (9) Cl.** ..... **08-03**

(52) **U.S. Cl.** ..... **D8/99**

(58) **Field of Classification Search** ..... D8/95-99,  
D8/105, 107; D22/118; 30/154-162, 329-331,  
30/339

See application file for complete search history.

**DESCRIPTION**

FIG. 1 is a front perspective view of the utility knife handle of the present invention showing my new design;  
FIG. 2 is a front elevational view thereof;  
FIG. 3 is a back elevational view thereof;  
FIG. 4 is side elevational view thereof;  
FIG. 5 is another side elevational view thereof;  
FIG. 6 is a top plan view thereof; and,  
FIG. 7 is a bottom plan view thereof.

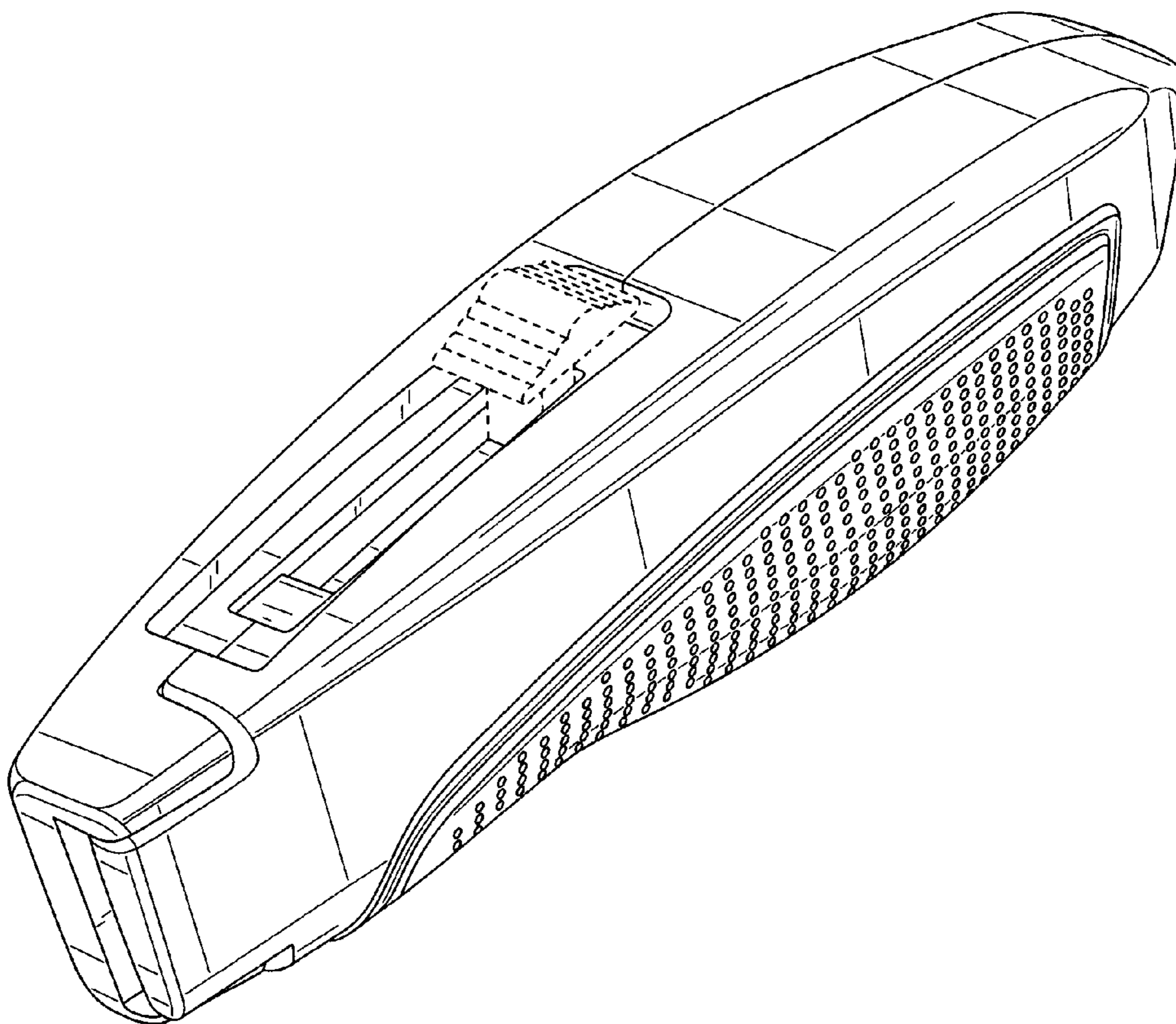
The broken lines in the drawings illustrate features of the utility knife handle that form no part of the claim.

(56) **References Cited**

**U.S. PATENT DOCUMENTS**

5,121,544 A \* 6/1992 Gilbert ..... 30/162  
D399,720 S \* 10/1998 Owens et al. .... D8/98  
D476,214 S \* 6/2003 Hsu ..... D8/99  
D520,327 S \* 5/2006 Gist et al. .... D8/99  
D572,107 S \* 7/2008 Maraia et al. .... D8/99

**1 Claim, 6 Drawing Sheets**



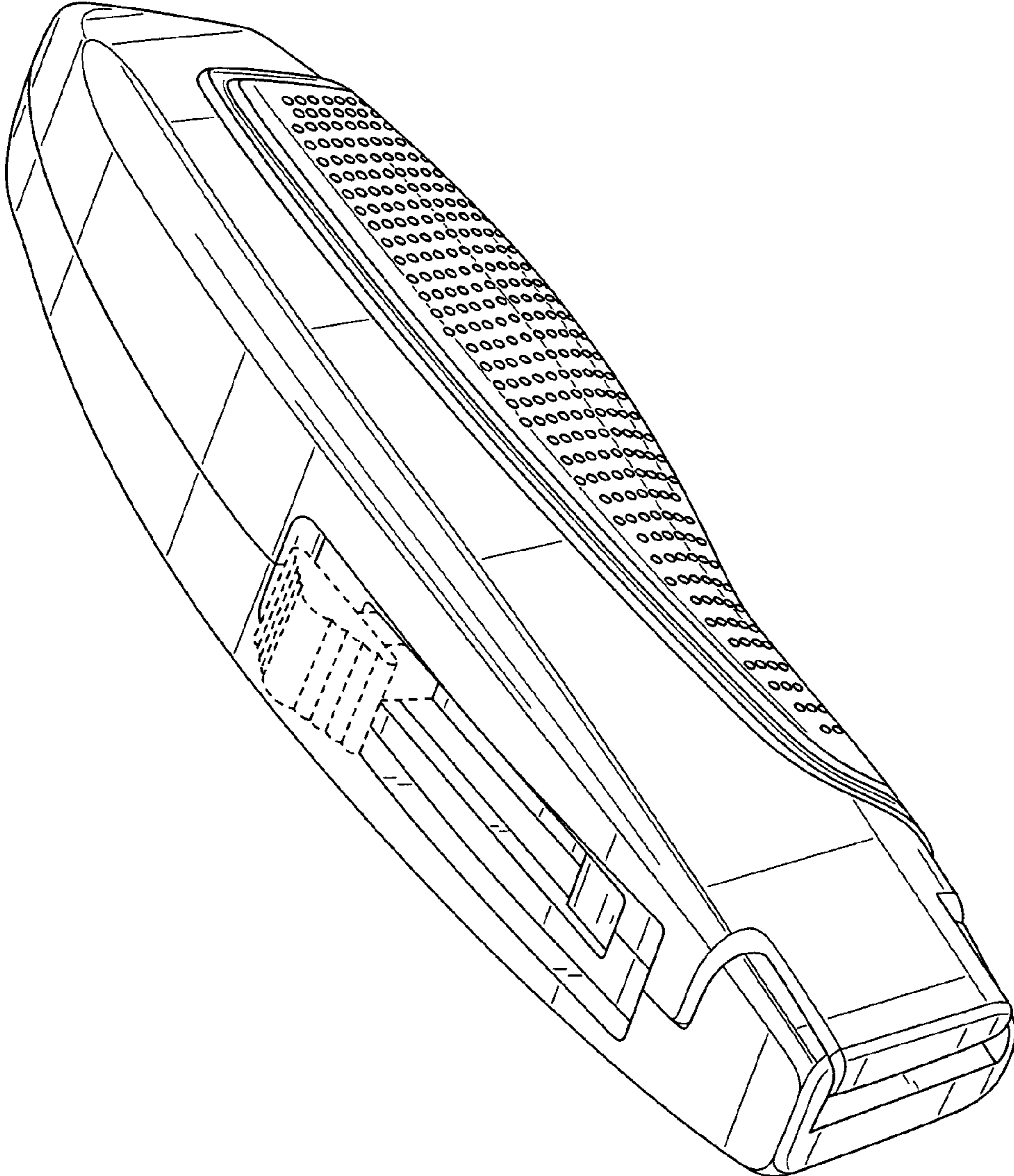


FIG. 1

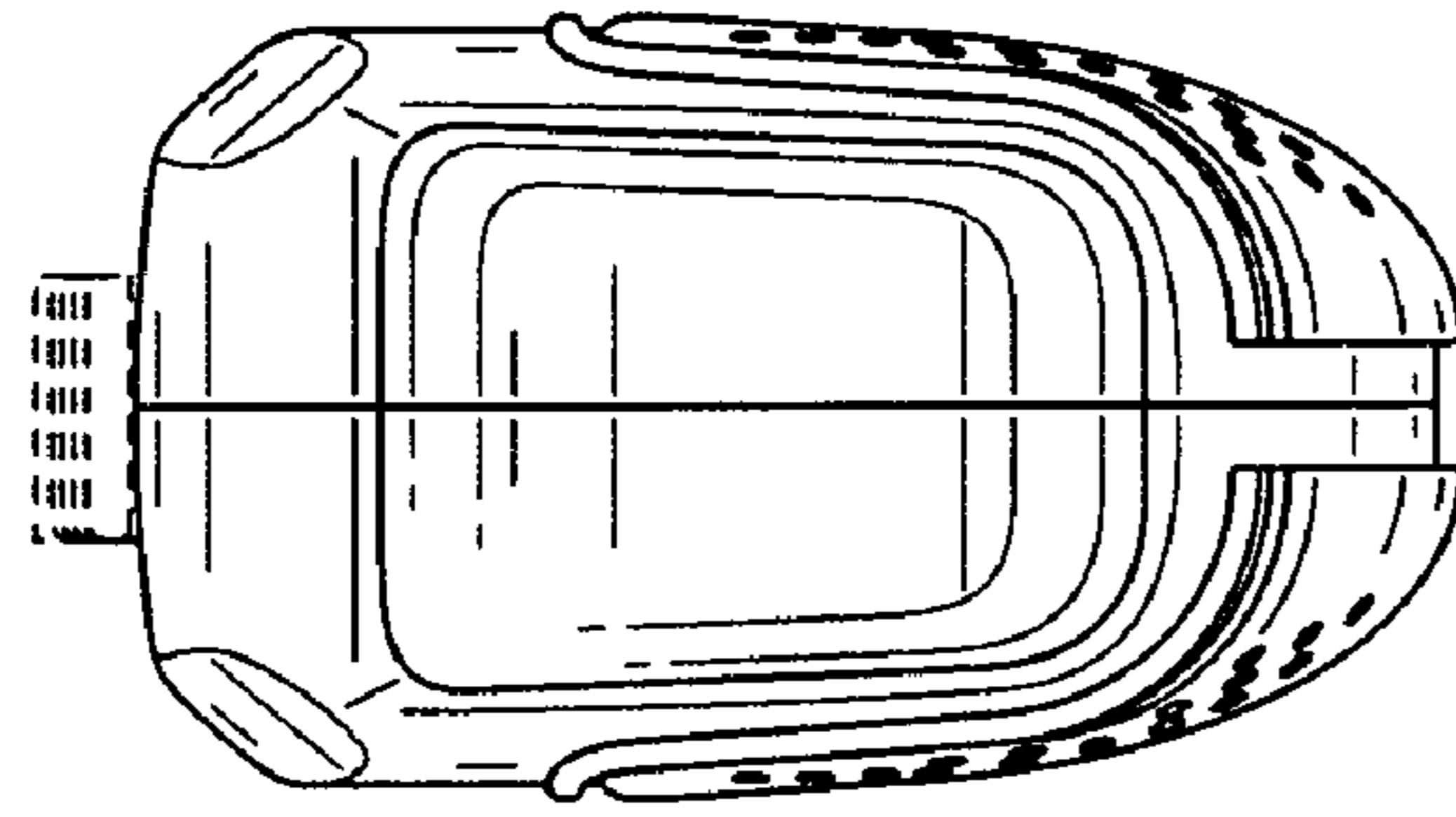


FIG. 3

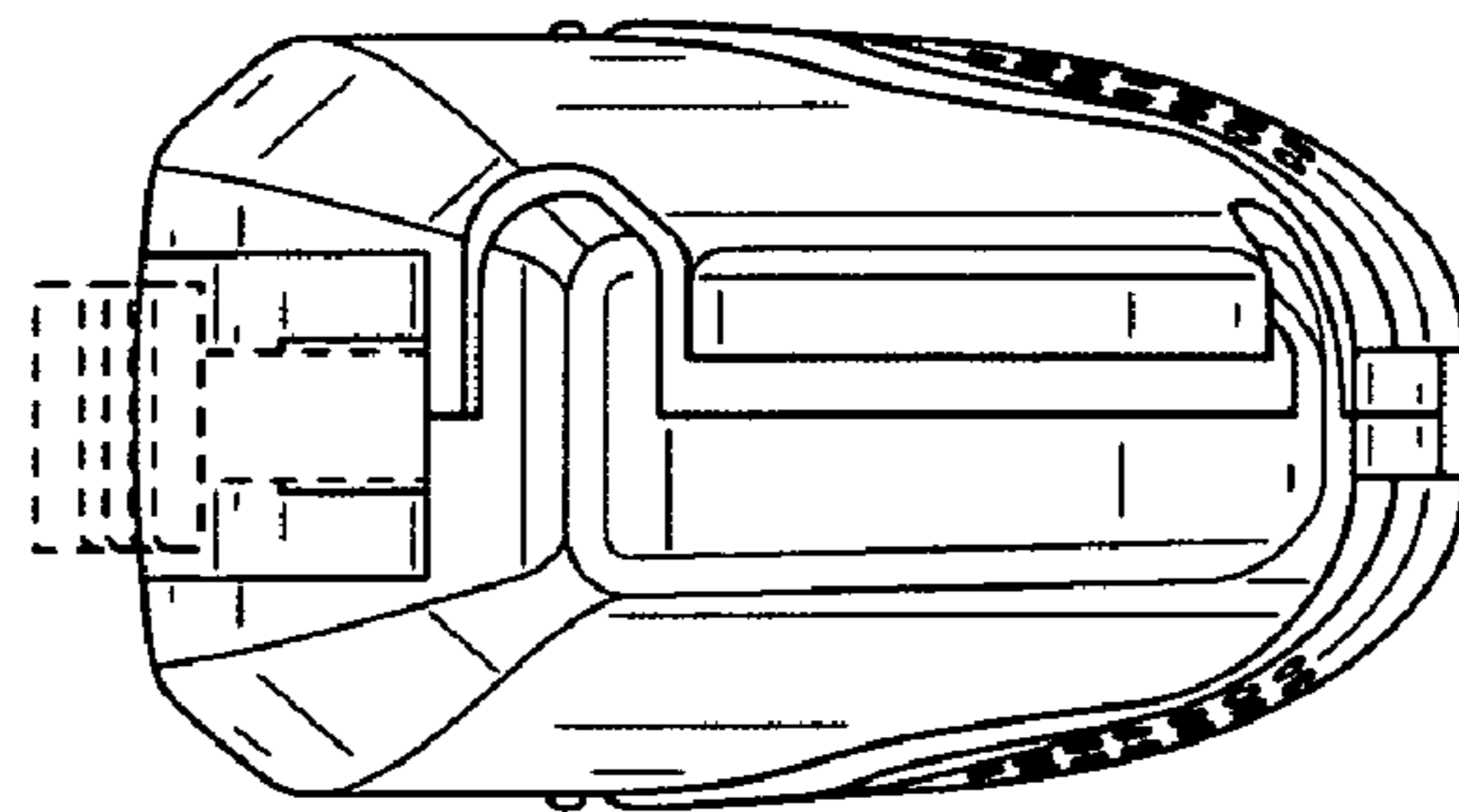


FIG. 2

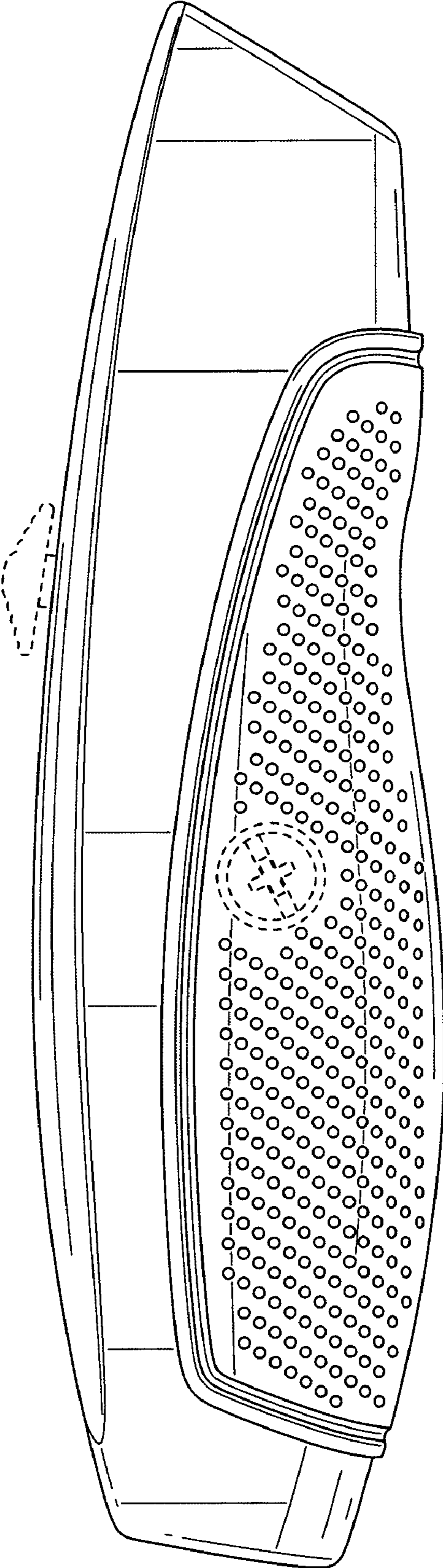


FIG. 4



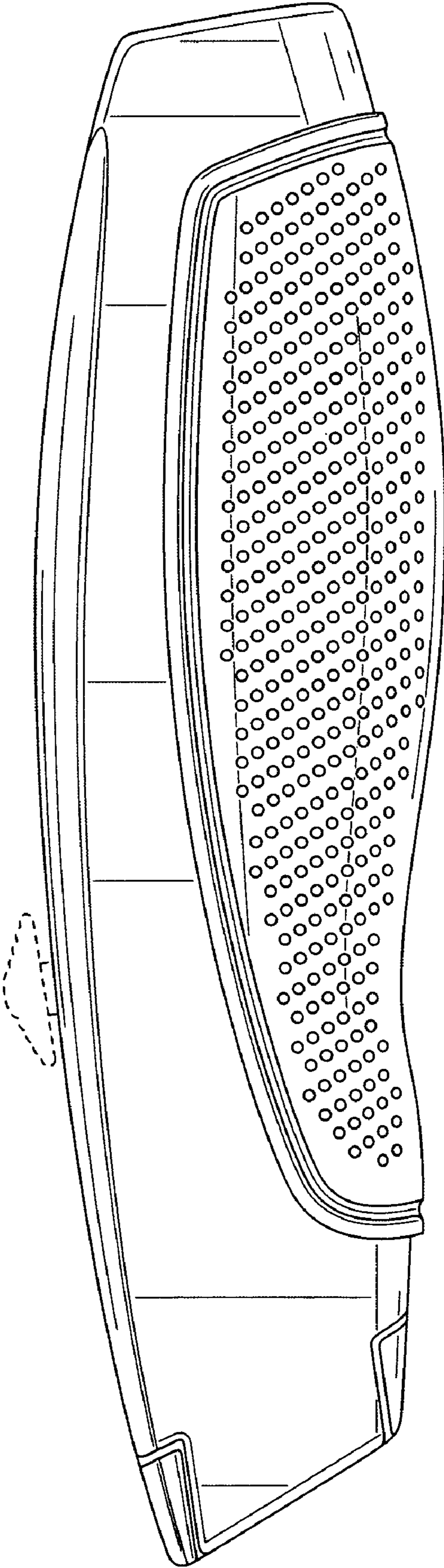


FIG. 5

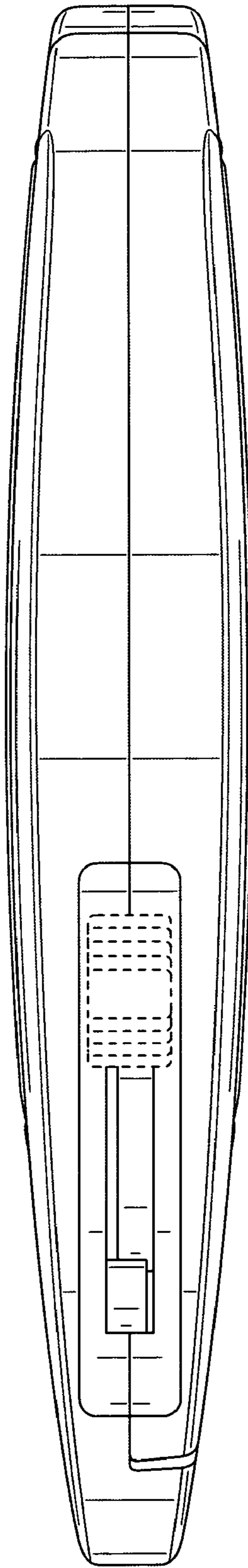


FIG. 6

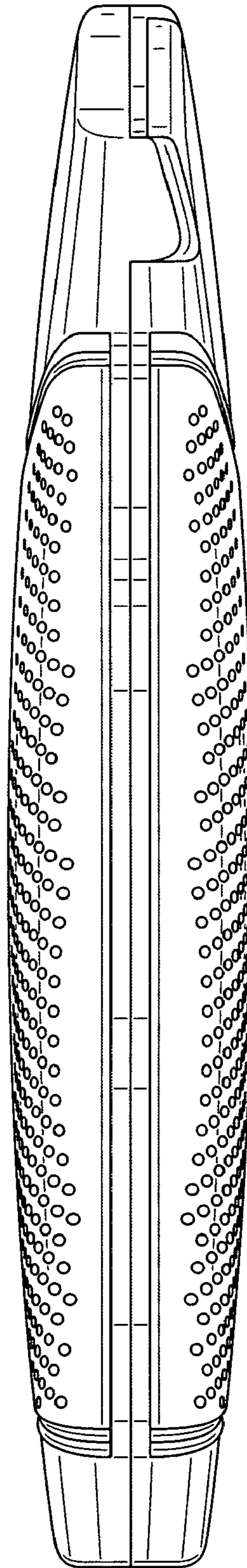


FIG. 7