



US00D675502S

(12) **United States Design Patent**  
**Carleton**

(10) **Patent No.:** **US D675,502 S**

(45) **Date of Patent:** **\*\* \*Feb. 5, 2013**

(54) **KNIFE SHARPENING KIT**

D513,955 S 1/2006 Friel, Sr.  
7,803,038 B2 \* 9/2010 Lake ..... 451/321  
7,857,681 B2 \* 12/2010 Bonapace ..... 451/45

(76) Inventor: **Richard Carleton**, Calimesa, CA (US)

(\* ) Notice: This patent is subject to a terminal disclaimer.

(\*\*) Term: **14 Years**

(21) Appl. No.: **29/403,232**

(22) Filed: **Oct. 3, 2011**

(51) **LOC (9) Cl.** ..... **08-05**

(52) **U.S. Cl.** ..... **D8/93**

(58) **Field of Classification Search** ..... D8/90-94;  
76/84; 451/45, 57, 193, 234, 241, 312, 341,  
451/344, 349, 552, 555-558

See application file for complete search history.

(56) **References Cited**

**U.S. PATENT DOCUMENTS**

4,231,194	A	11/1980	Glesser	
4,450,653	A *	5/1984	Fletcher	451/552
4,624,079	A *	11/1986	Bonapace	451/555
D287,815	S *	1/1987	Johannsen	D8/93
4,646,477	A *	3/1987	Robertson	451/540
D290,222	S *	6/1987	Moody	D8/91
D297,504	S *	9/1988	Taylor	D8/91
4,912,885	A *	4/1990	Bonapace	451/552
D326,989	S *	6/1992	Button et al.	D8/93
D327,402	S *	6/1992	Button et al.	D8/93
D328,847	S	8/1992	Button et al.	
D353,988	S *	1/1995	Glesser	D8/93
5,477,753	A	12/1995	Branscum et al.	
5,478,373	A	12/1995	Lojek	
D406,038	S *	2/1999	Glesser	D8/91
D427,500	S *	7/2000	Glesser	D8/93
6,168,509	B1	1/2001	Presgrove	
D488,980	S *	4/2004	Bradshaw	D8/93
6,726,551	B2	4/2004	Friel, Sr.	
6,881,137	B2	4/2005	Friel, Sr.	

**OTHER PUBLICATIONS**

Taidea 4-Rod Sharpener. Downloaded at <http://www.flickr.com/photos/taidea/3745219598/in/photostream/> on Apr. 19, 2012.\*

\* cited by examiner

*Primary Examiner* — Philip S Hyder

*Assistant Examiner* — Roselynn Cody

(74) *Attorney, Agent, or Firm* — Kirk A. Buhler; Buhler & Associates

(57) **CLAIM**

The ornamental design for a knife sharpening kit, as shown and described.

**DESCRIPTION**

FIG. 1 is a top perspective view of a knife sharpening kit showing my new design;

FIG. 2 is a top view thereof;

FIG. 3 is a bottom view thereof, showing the interior of the case that serves as the kit's base;

FIG. 4 is a front view thereof;

FIG. 5 is a back view thereof;

FIG. 6 is a right side view thereof;

FIG. 7 is a left side view thereof;

FIG. 8 is a perspective view of the kit with triangular sharpening rods;

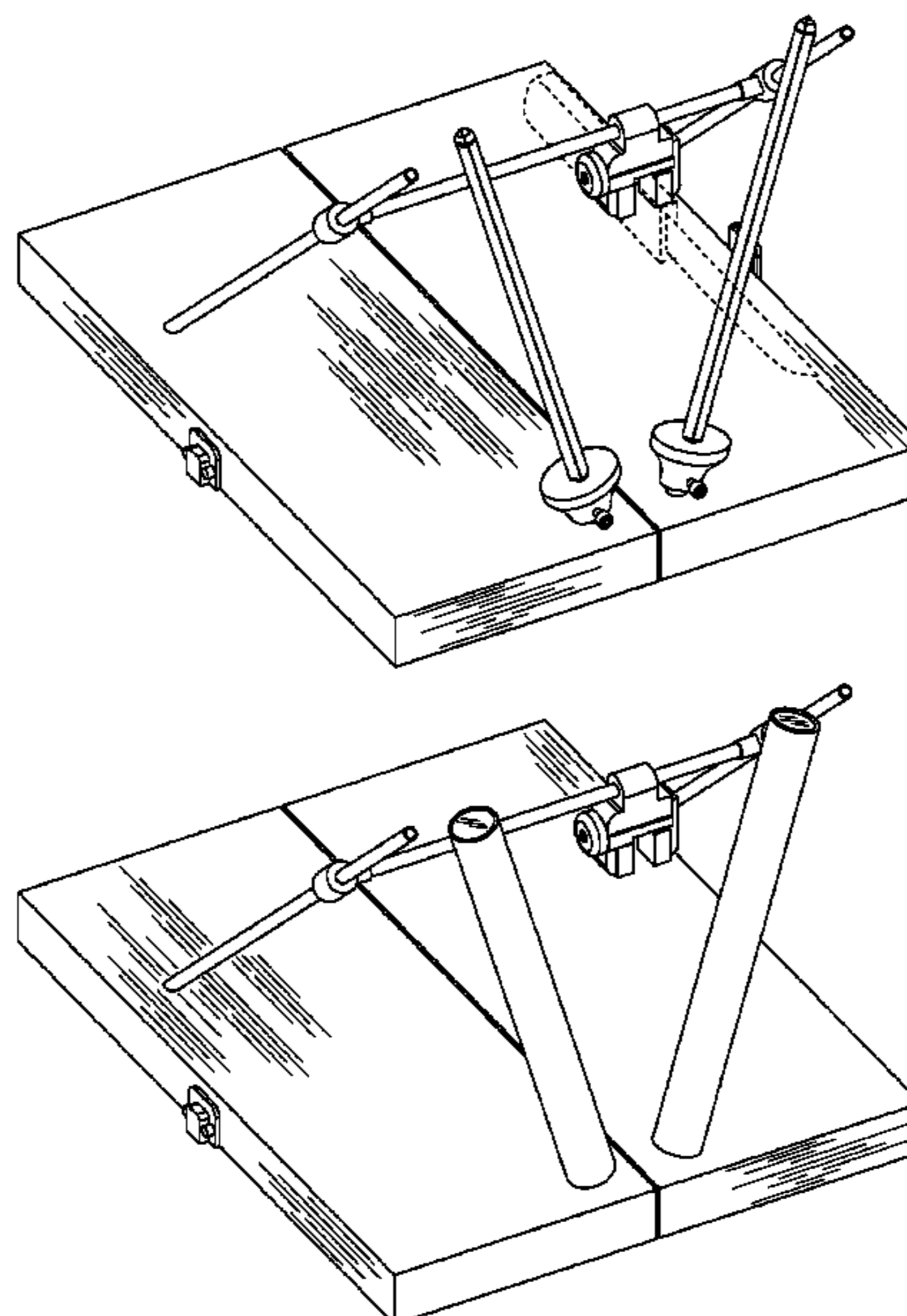
FIG. 9 is a perspective view of the kit with stropping rods;

FIG. 10 is a perspective view showing the sharpening components set in the case; and,

FIG. 11 is a perspective view showing the case closed.

The broken line showing of a knife in FIG. 8 illustrates environmental subject matter that forms no part of the claim.

**1 Claim, 6 Drawing Sheets**



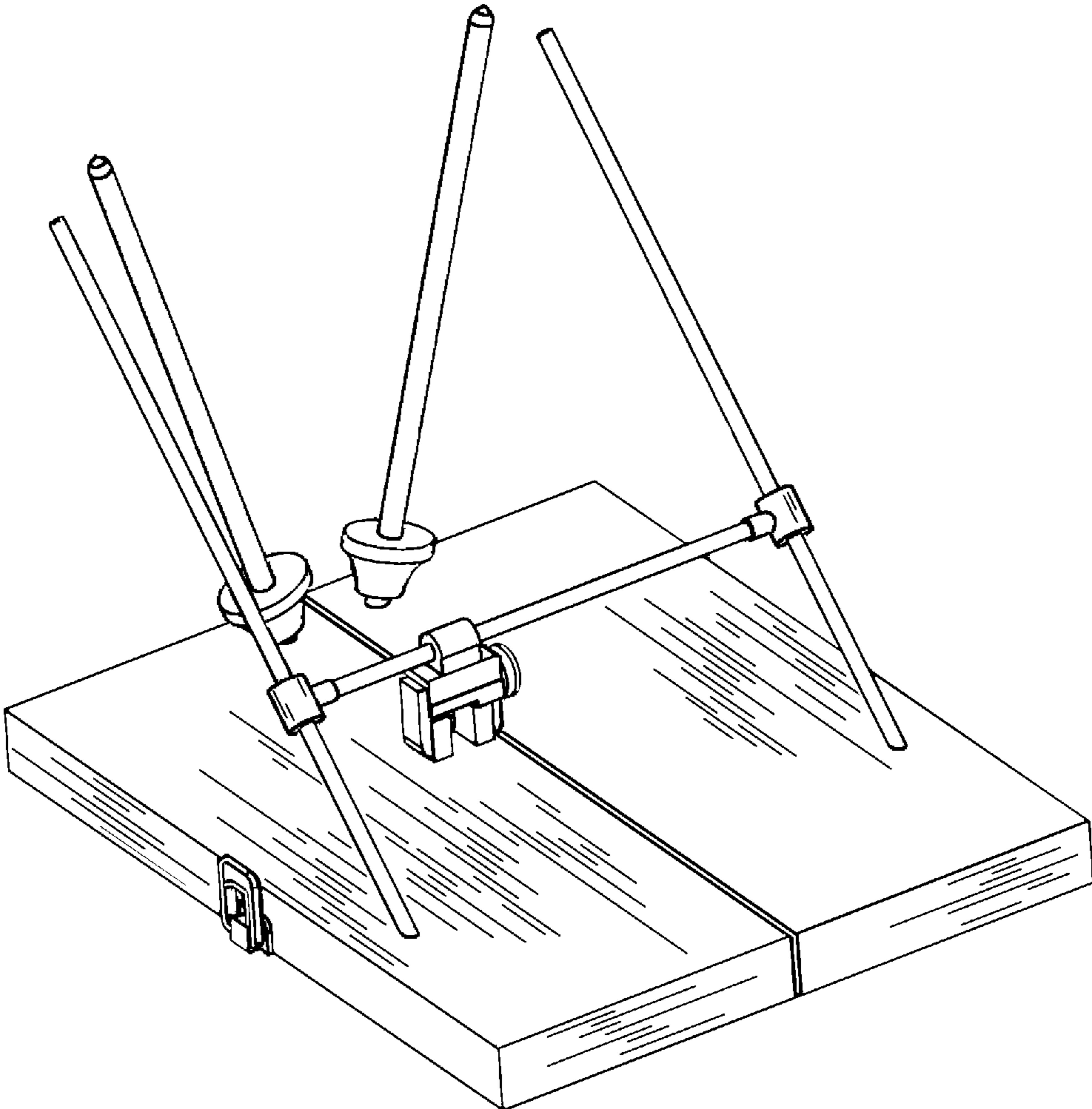
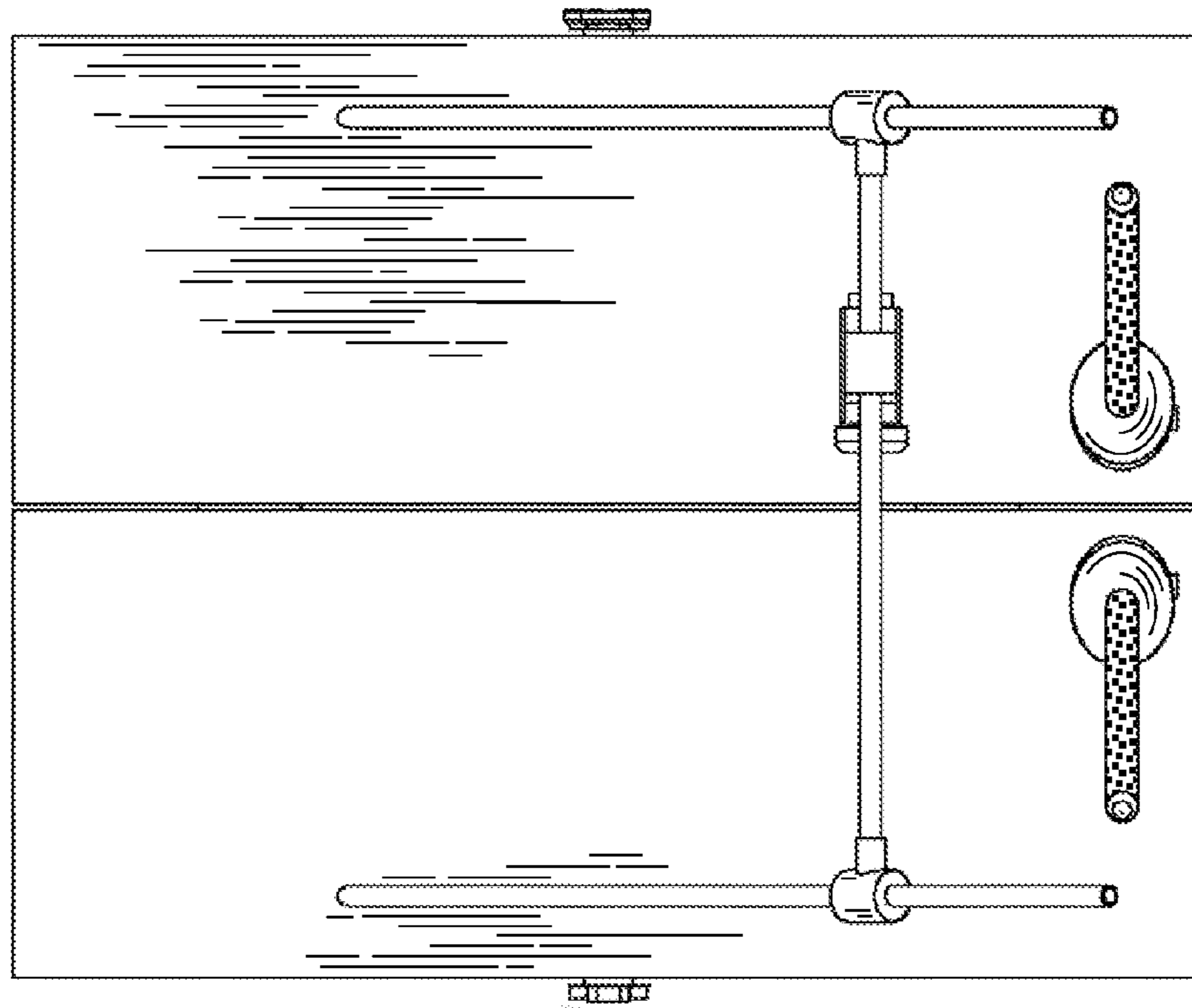
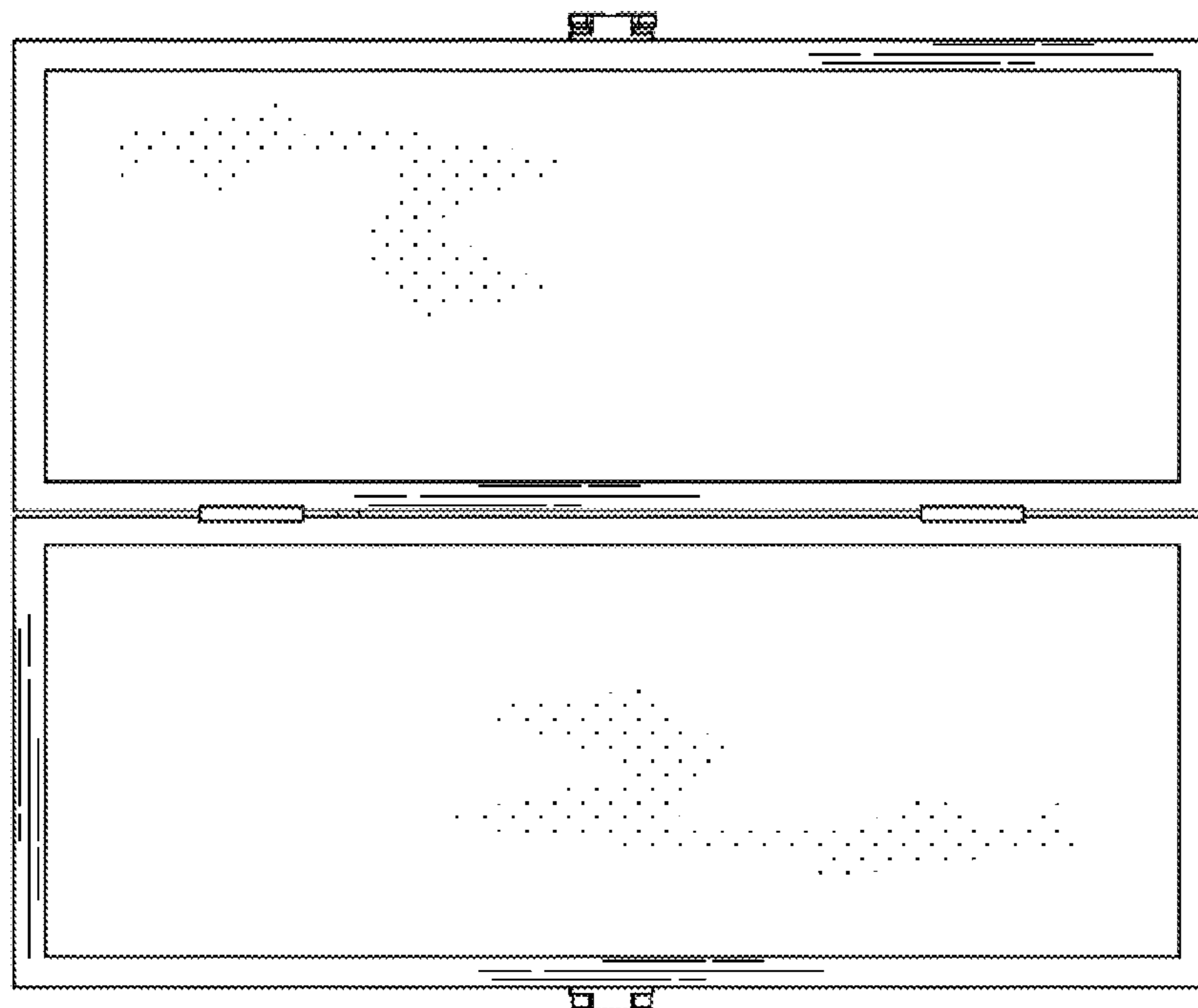


FIG 1



**FIG. 2**



**FIG. 3**

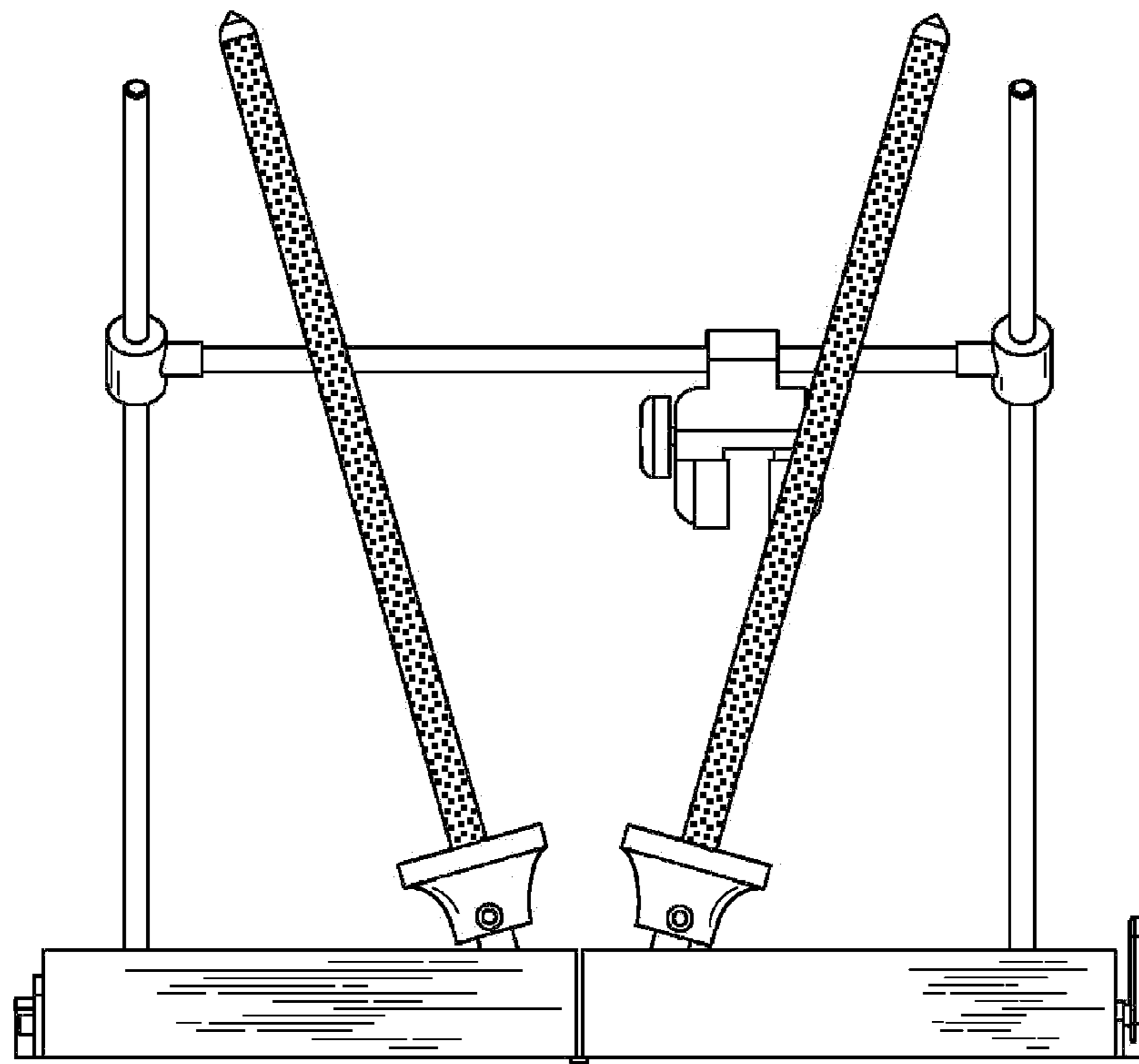


FIG. 4

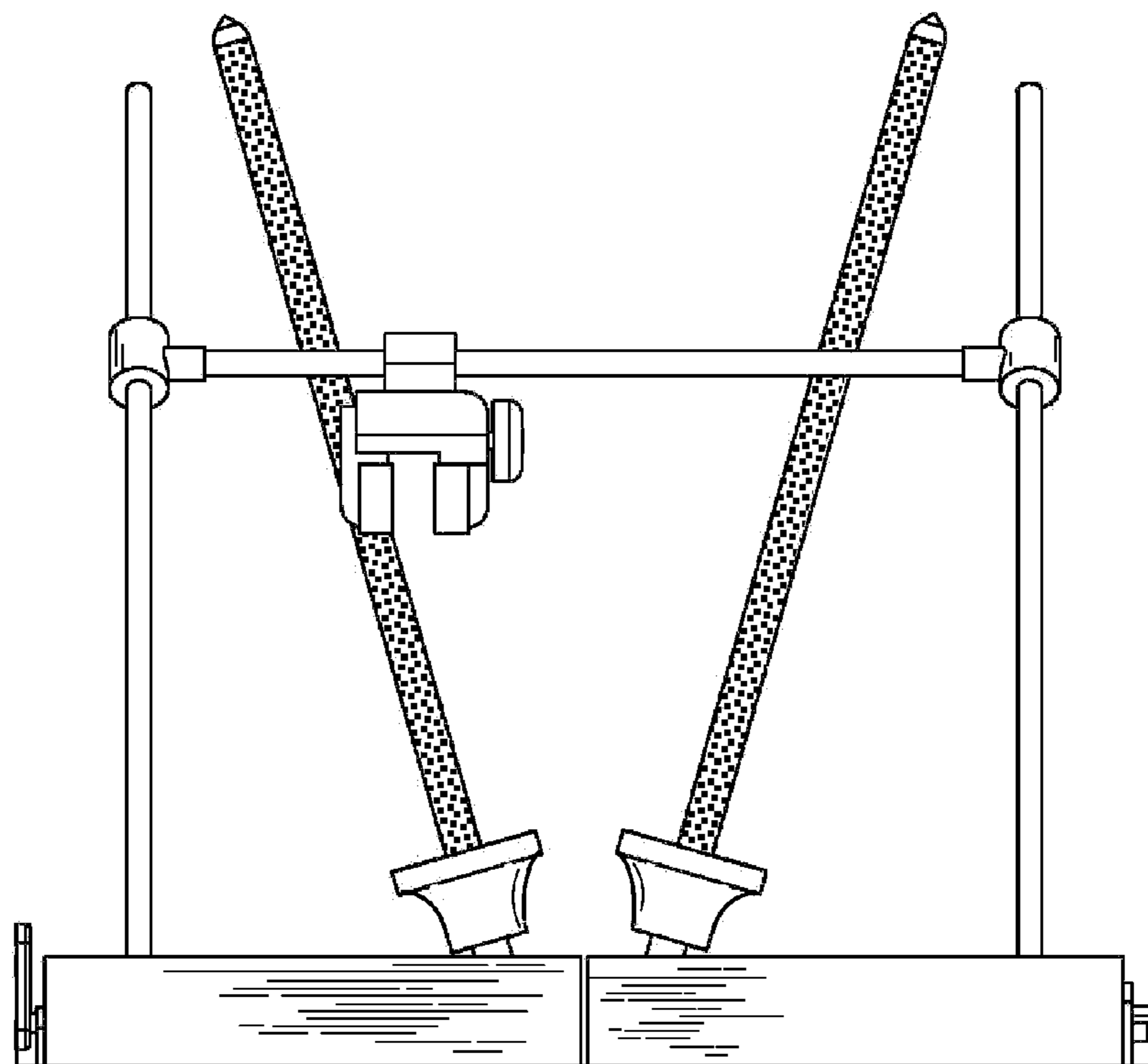
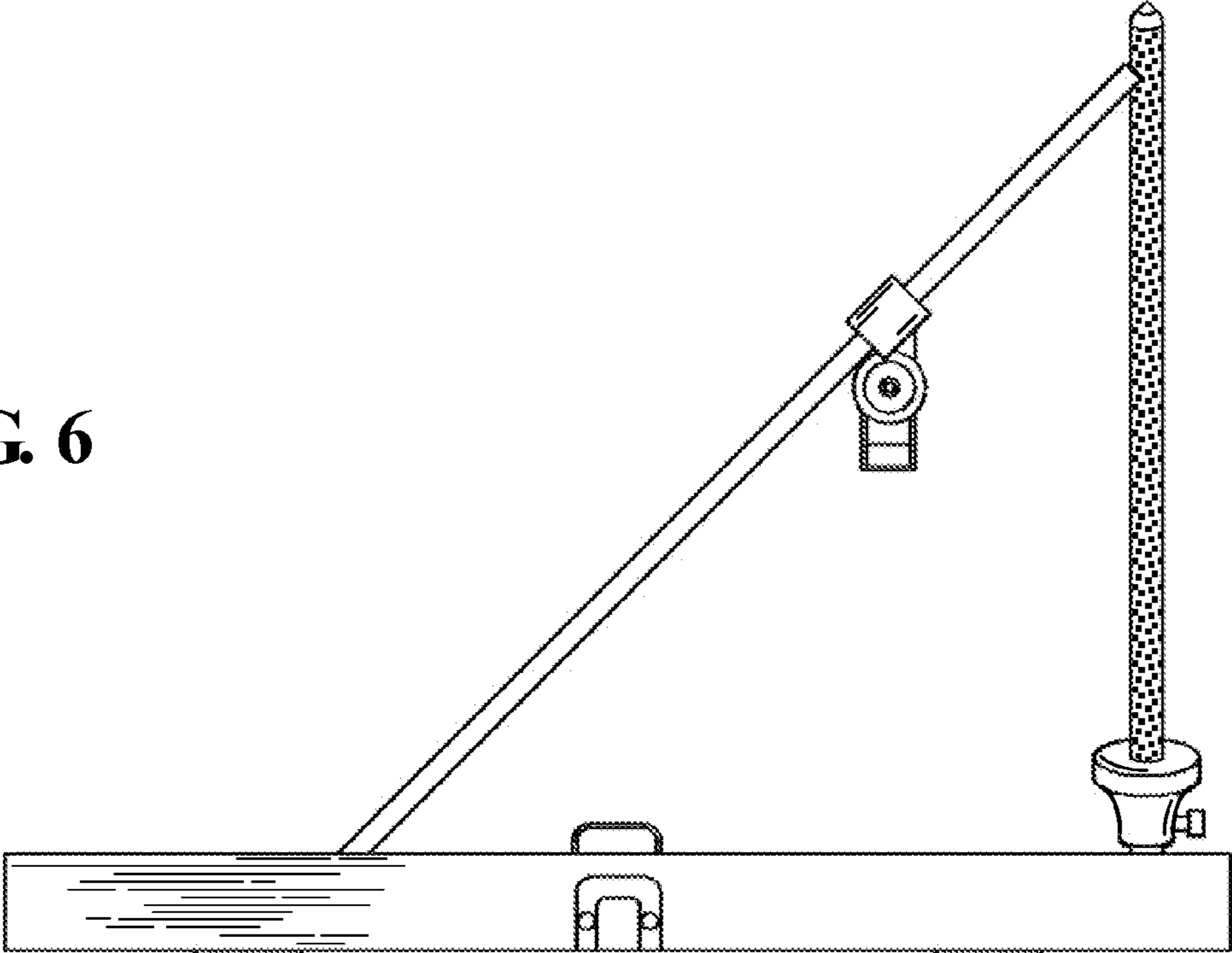
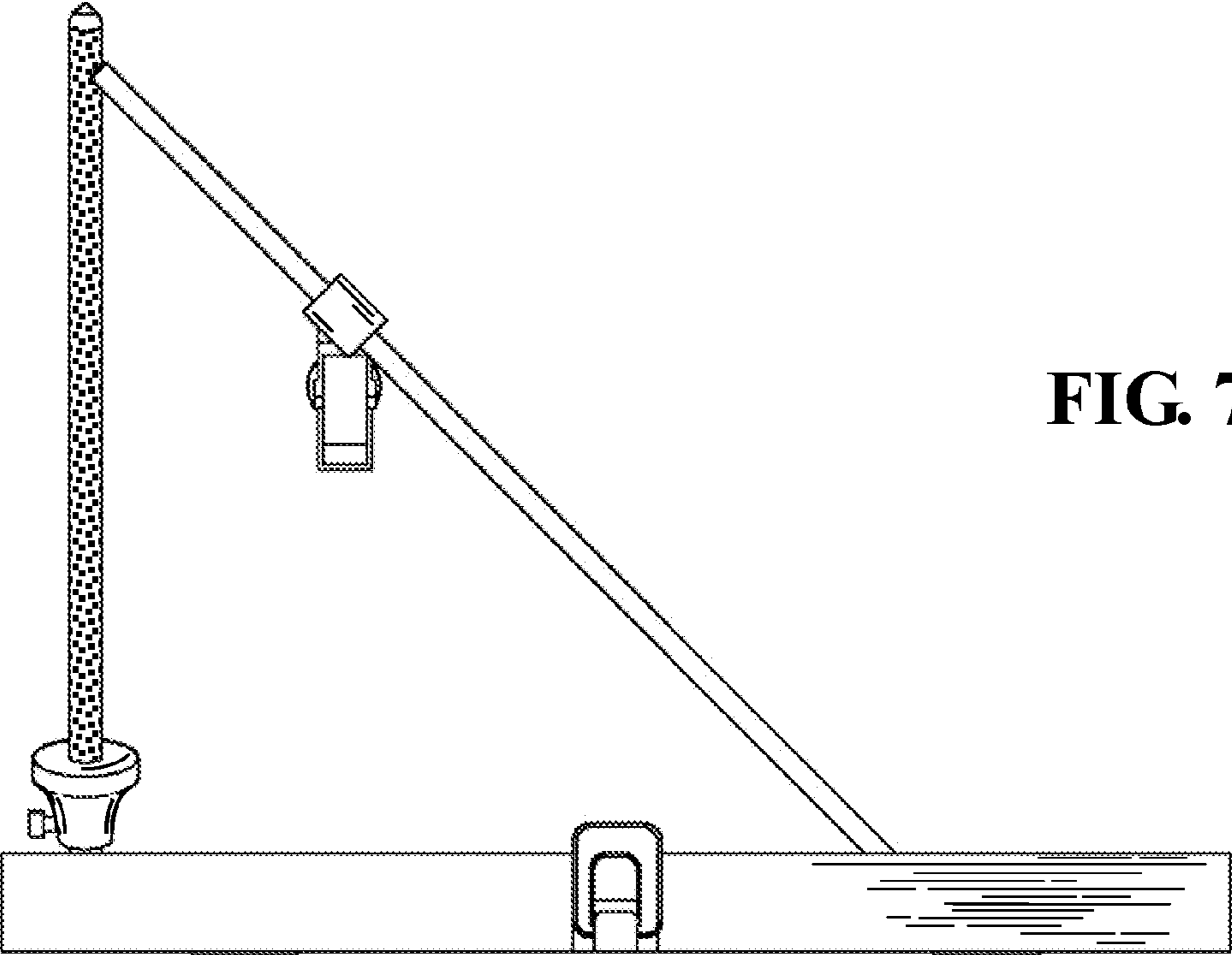


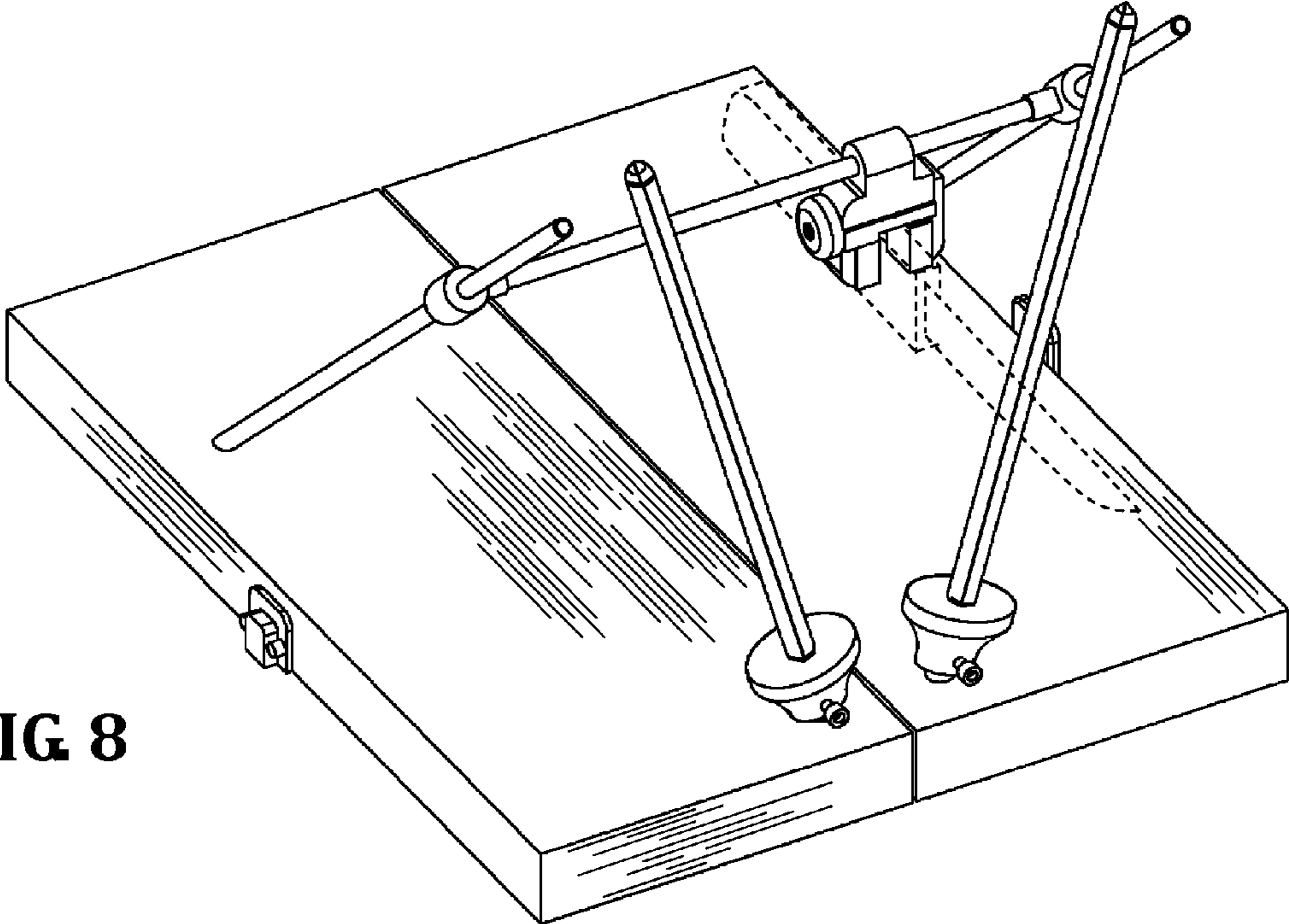
FIG. 5

**FIG. 6**

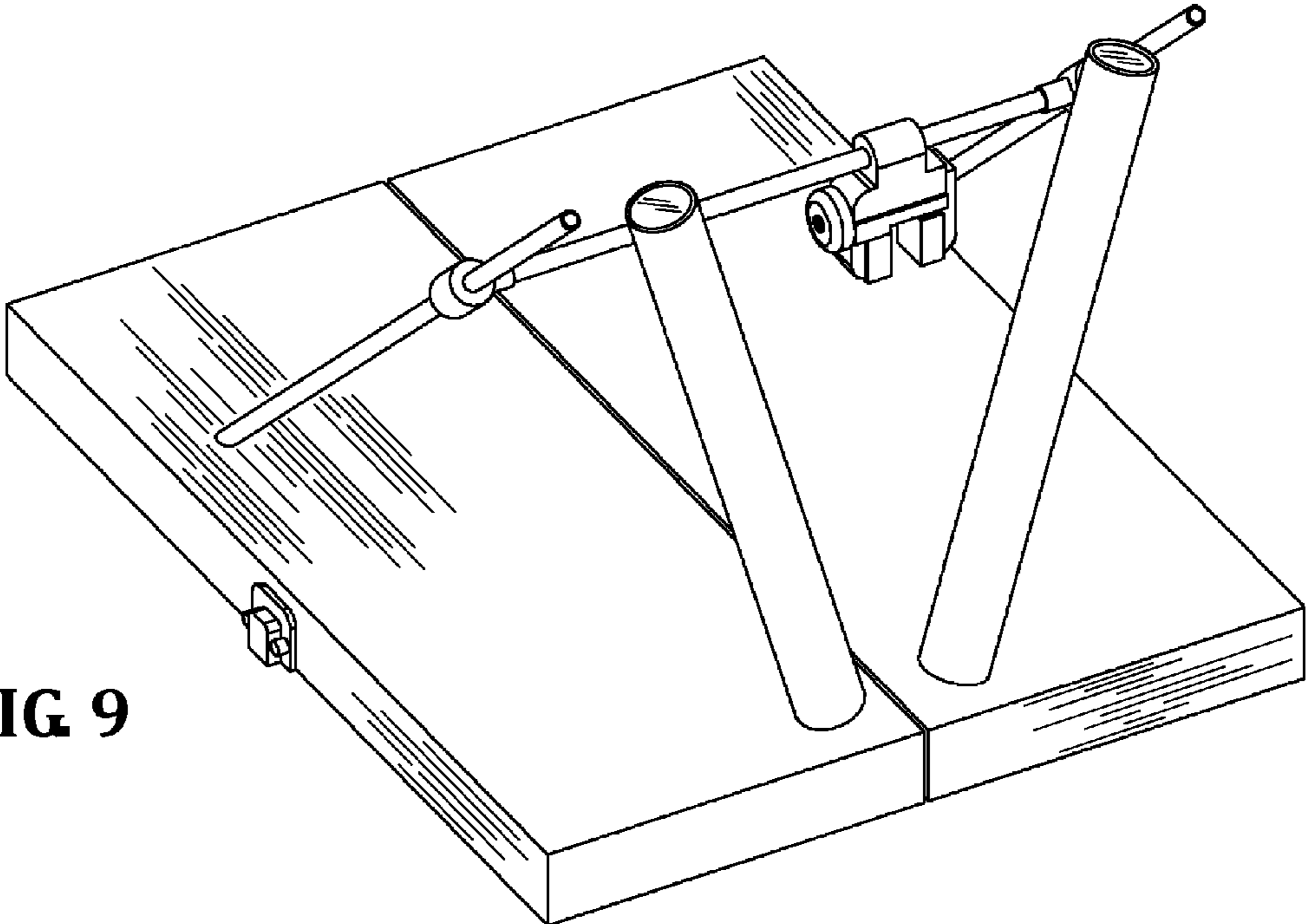


**FIG. 7**





**FIG 8**



**FIG 9**

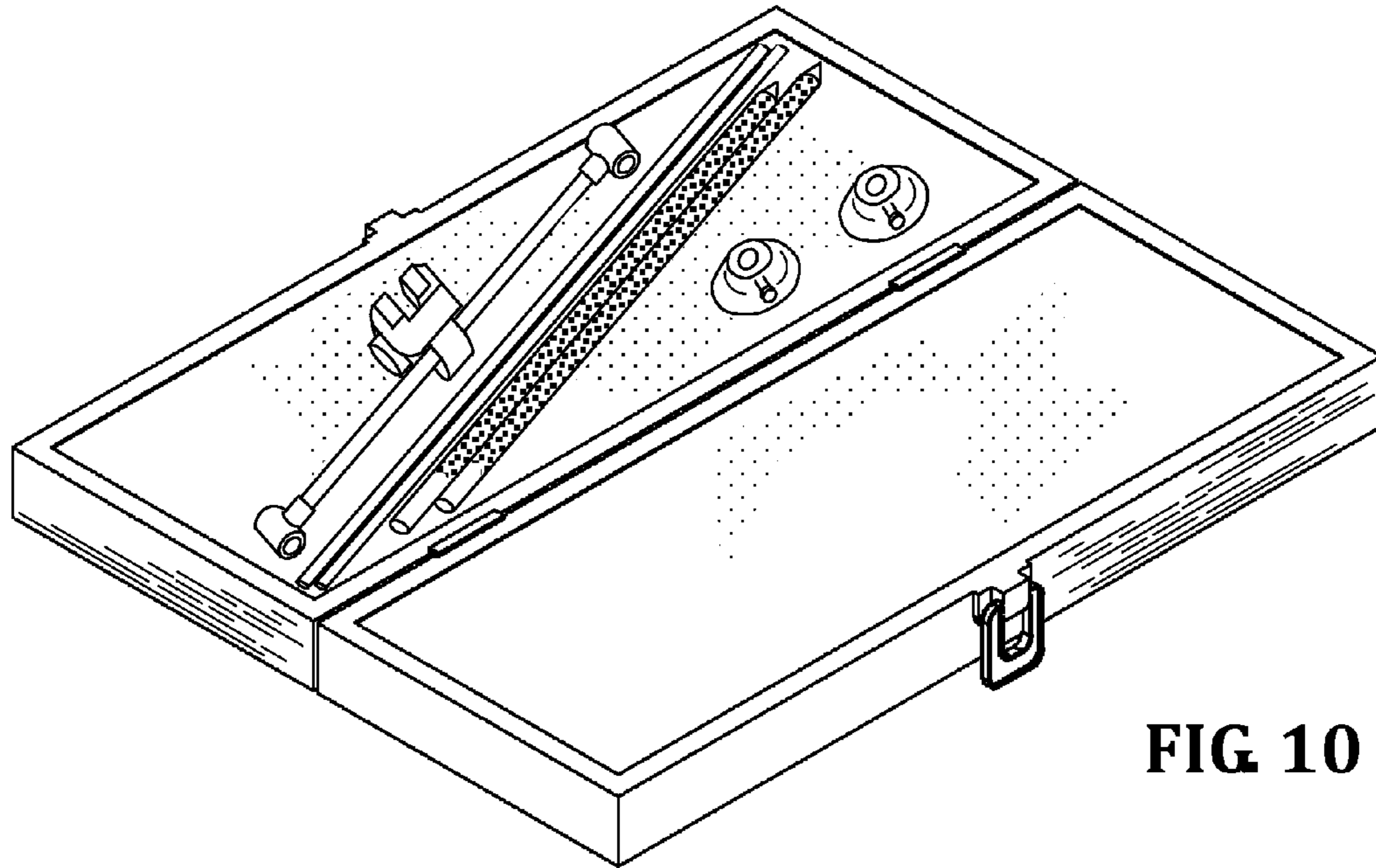


FIG 10

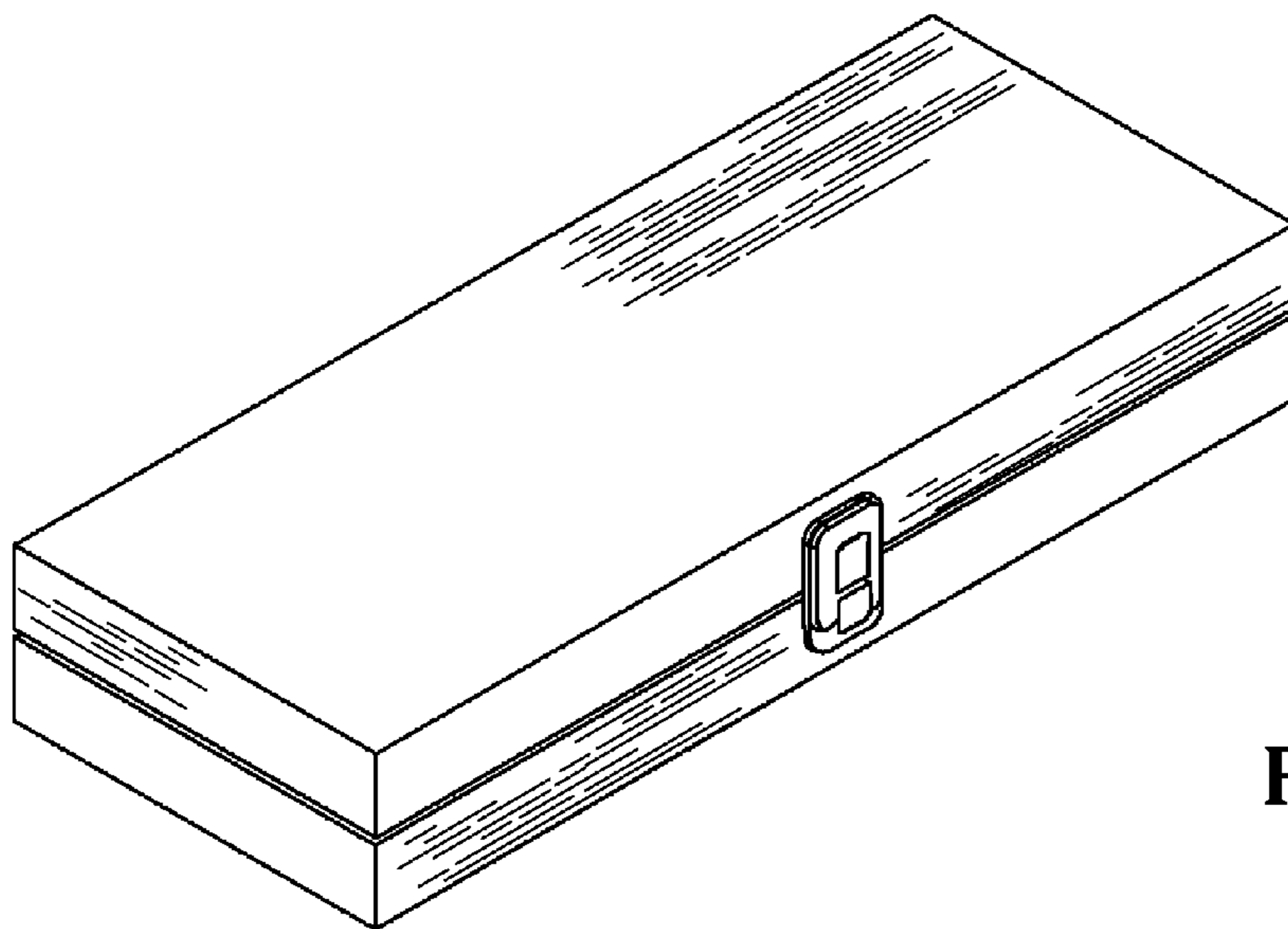


FIG 11