



US00D675501S

(12) **United States Design Patent**
Buetow et al.

(10) **Patent No.:** **US D675,501 S**

(45) **Date of Patent:** **** Feb. 5, 2013**

(54) **FASTENER DRIVING TOOL HOUSING**

(75) Inventors: **Robert Scott Buetow**, Lake in the Hills, IL (US); **Ryan L. Francis**, Palatine, IL (US); **Ricardo Segura**, Lake in the Hills, IL (US)

(73) Assignee: **Illinois Tool Works Inc.**, Glenview, IL (US)

(**) Term: **14 Years**

(21) Appl. No.: **29/391,451**

(22) Filed: **May 9, 2011**

(51) **LOC (9) Cl.** **08-05**

(52) **U.S. Cl.** **D8/69**

(58) **Field of Classification Search** D8/61,
D8/68, 69; 227/8, 10, 109, 120, 130, 135
See application file for complete search history.

(56) **References Cited**

U.S. PATENT DOCUMENTS

D377,592	S	*	1/1997	Hattori	D8/69
D432,882	S	*	10/2000	Matsuoka et al.	D8/68
D463,237	S	*	9/2002	Sims et al.	D8/68
D474,386	S	*	5/2003	Arai	D8/68
D474,665	S	*	5/2003	Taylor	D8/69
D483,240	S	*	12/2003	Garvis et al.	D8/68
D486,048	S	*	2/2004	Hattori	D8/68
D497,299	S	*	10/2004	Matsuoka et al.	D8/69
D498,128	S	*	11/2004	Sterling	D8/68
D508,191	S	*	8/2005	Hattori et al.	D8/68
D519,809	S	*	5/2006	Taniguchi et al.	D8/69
D520,321	S	*	5/2006	Hattori et al.	D8/69
D531,475	S	*	11/2006	Li	D8/69
D554,963	S	*	11/2007	Holderfield et al.	D8/69

D560,108	S	*	1/2008	Butzen et al.	D8/69
D575,607	S	*	8/2008	Buck	D8/69
D586,196	S	*	2/2009	Kosugi et al.	D8/69
D591,576	S	*	5/2009	Buck	D8/68
D605,919	S	*	12/2009	Schneider et al.	D8/69
D606,378	S	*	12/2009	Okuda et al.	D8/69
D618,976	S	*	7/2010	Taniguchi et al.	D8/69
8,056,785	B2	*	11/2011	Gosis et al.	227/19
2002/0104868	A1	*	8/2002	Miller et al.	227/130
2003/0127490	A1	*	7/2003	Hamano et al.	227/120
2010/0170929	A1	*	7/2010	Chang	227/8
2012/0160889	A1	*	6/2012	Tanji	227/142

* cited by examiner

Primary Examiner — Philip S Hyder

Assistant Examiner — John T Applewhite

(74) *Attorney, Agent, or Firm* — Greer, Burns & Crain, Ltd.;
Patty Chidiac; Mark W. Croll

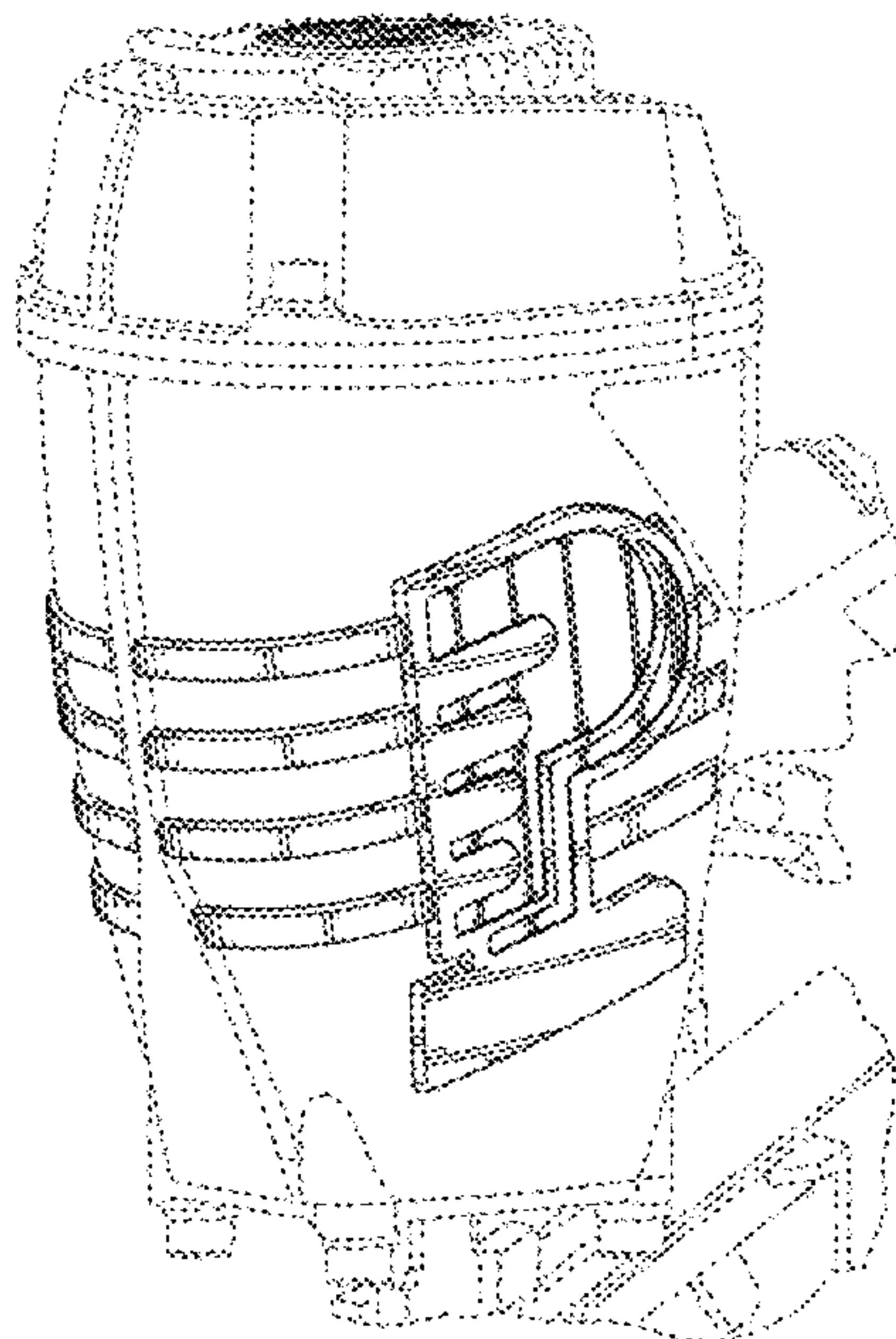
(57) **CLAIM**

The ornamental design for a fastener driving tool housing, as shown and described.

DESCRIPTION

FIG. 1 is a front perspective view of the fastener driving tool housing showing my new design;
FIG. 2 is a right side view of same;
FIG. 3 is a left side view of same;
FIG. 4 is a front view of the present tool housing;
FIG. 5 is a rear view of same;
FIG. 6 is a top view of the fastener driving tool housing; and,
FIG. 7 is a bottom view of the same.
The structure shown in broken lines is for environment purposes only and does not form part of the claimed invention.

1 Claim, 7 Drawing Sheets



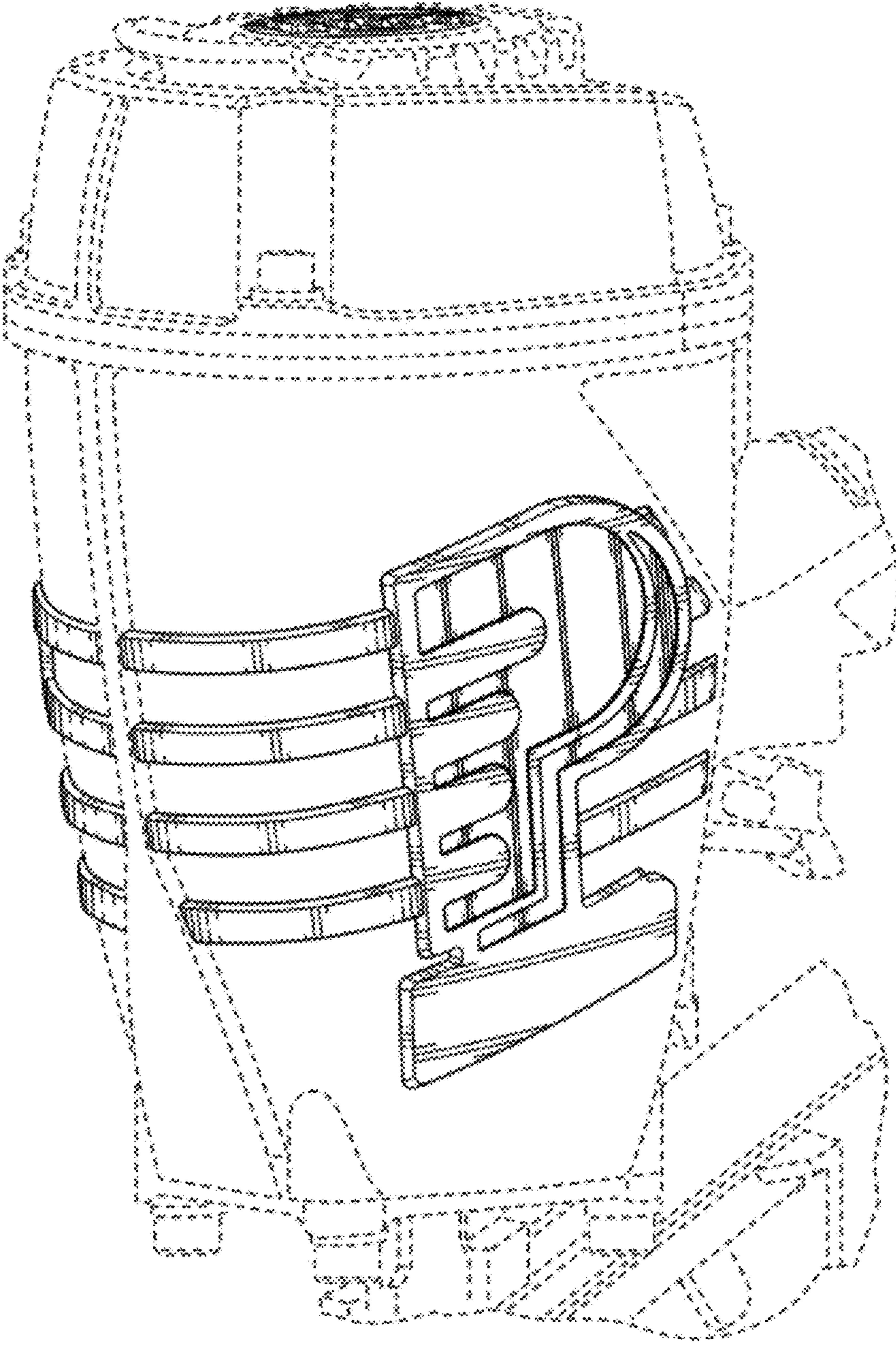


FIG. 1

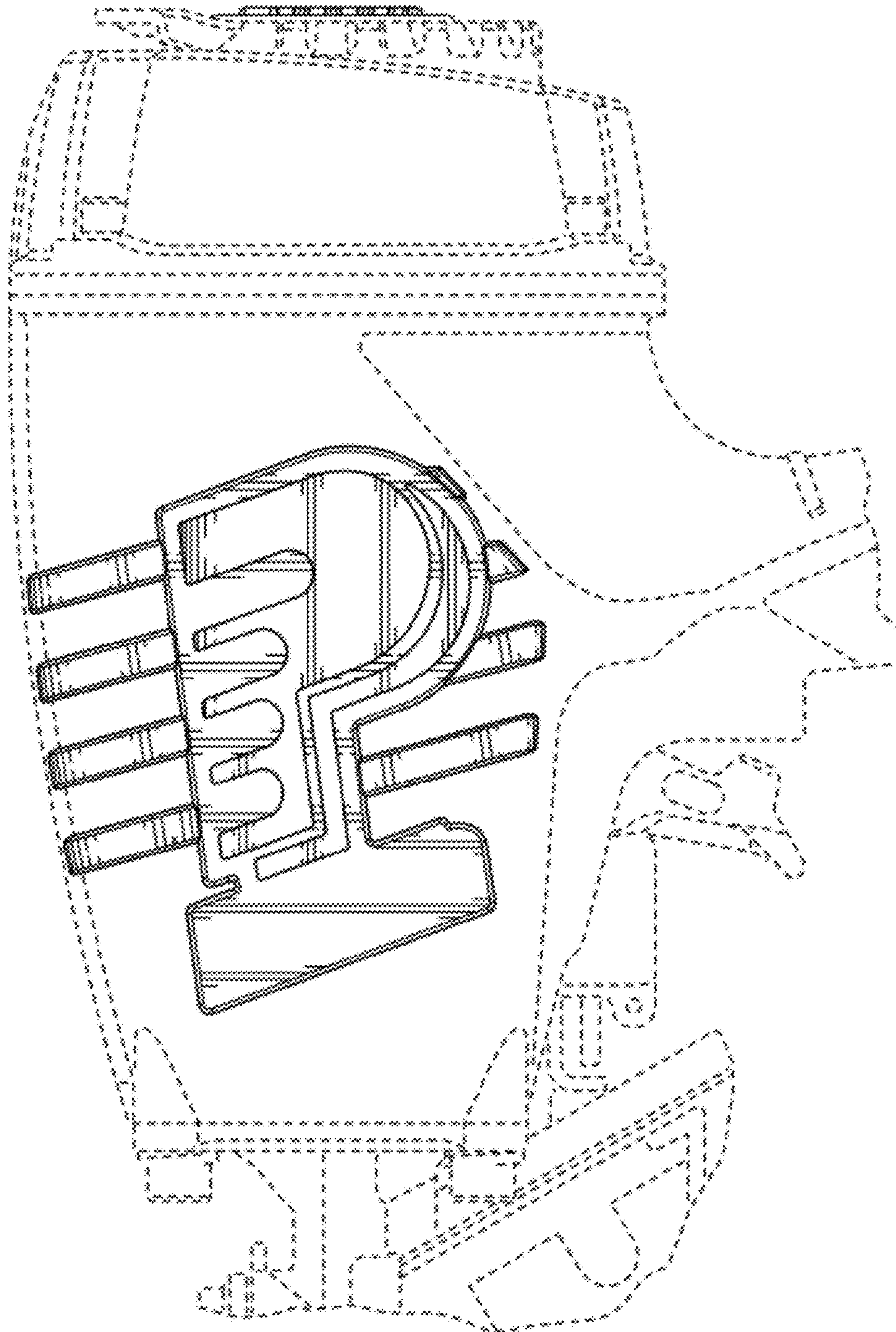


FIG. 2

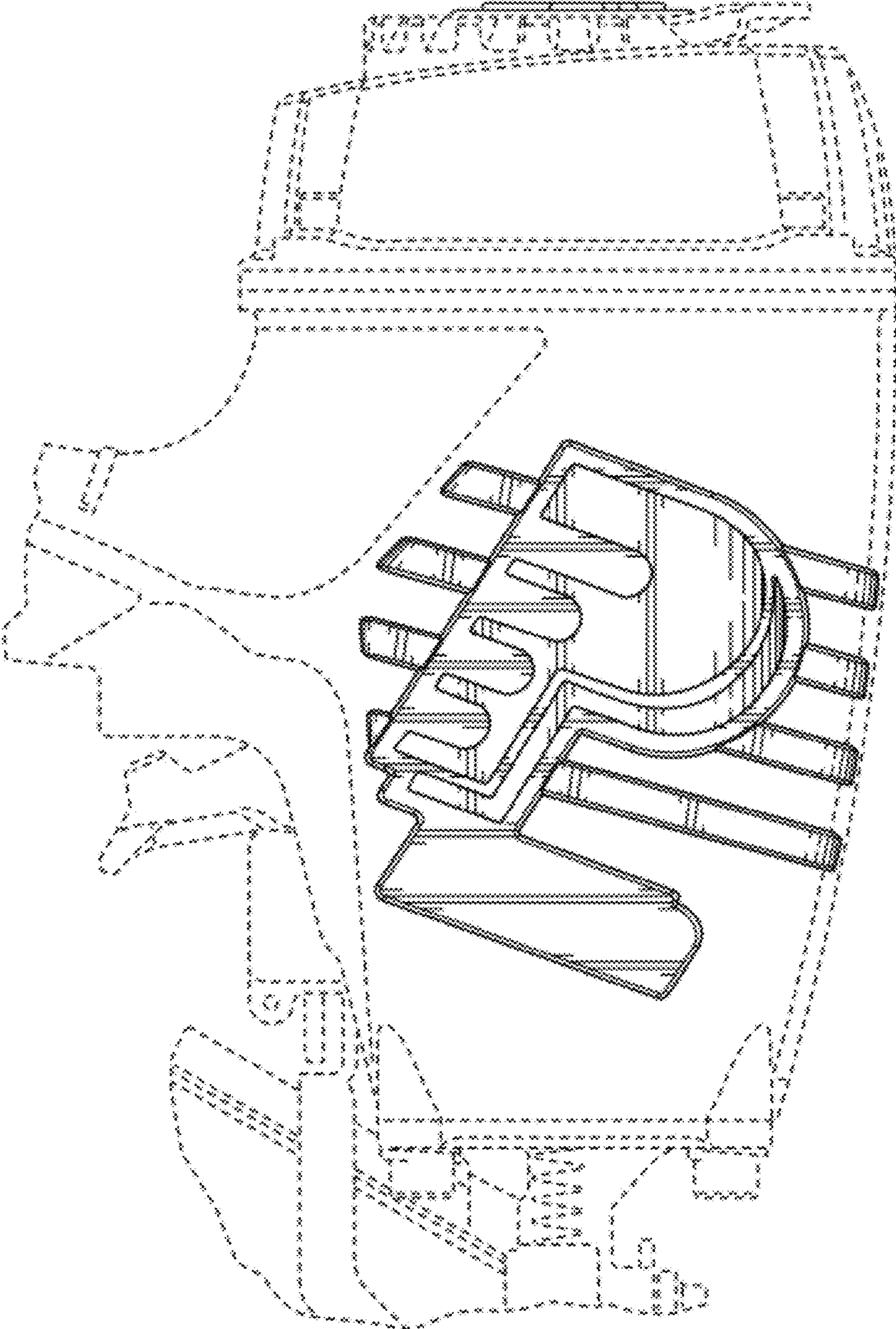


FIG. 3

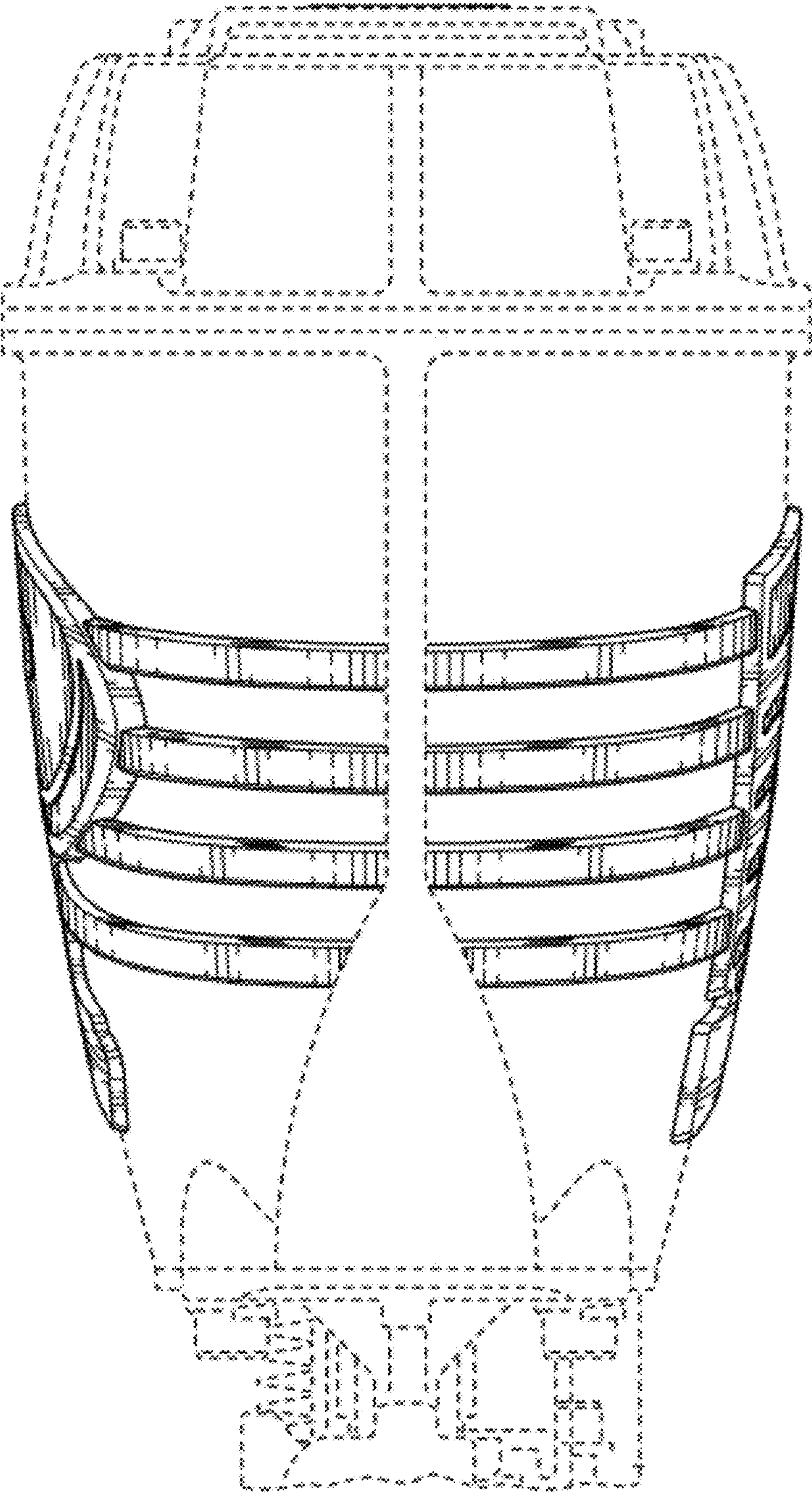


FIG. 4

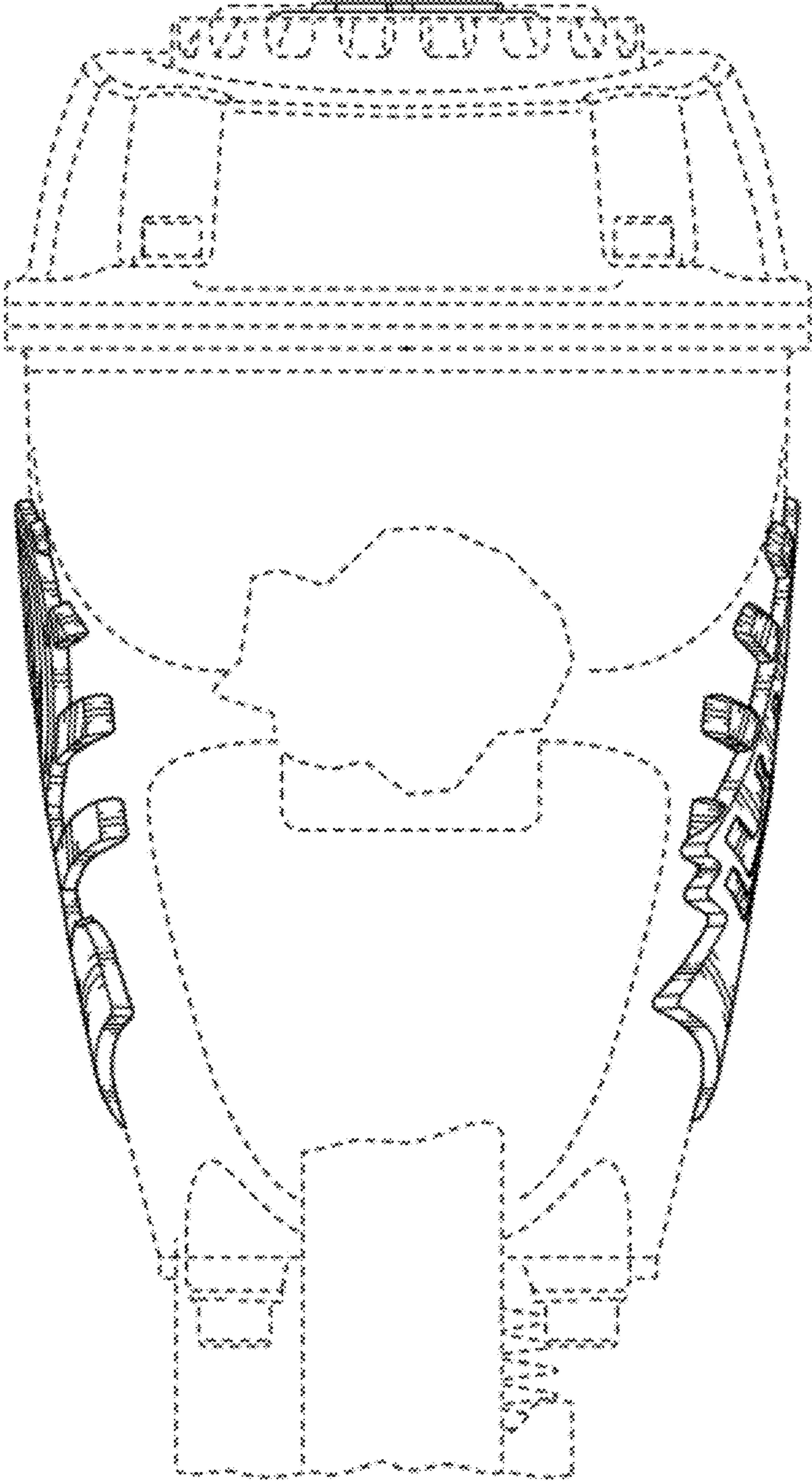


FIG. 5

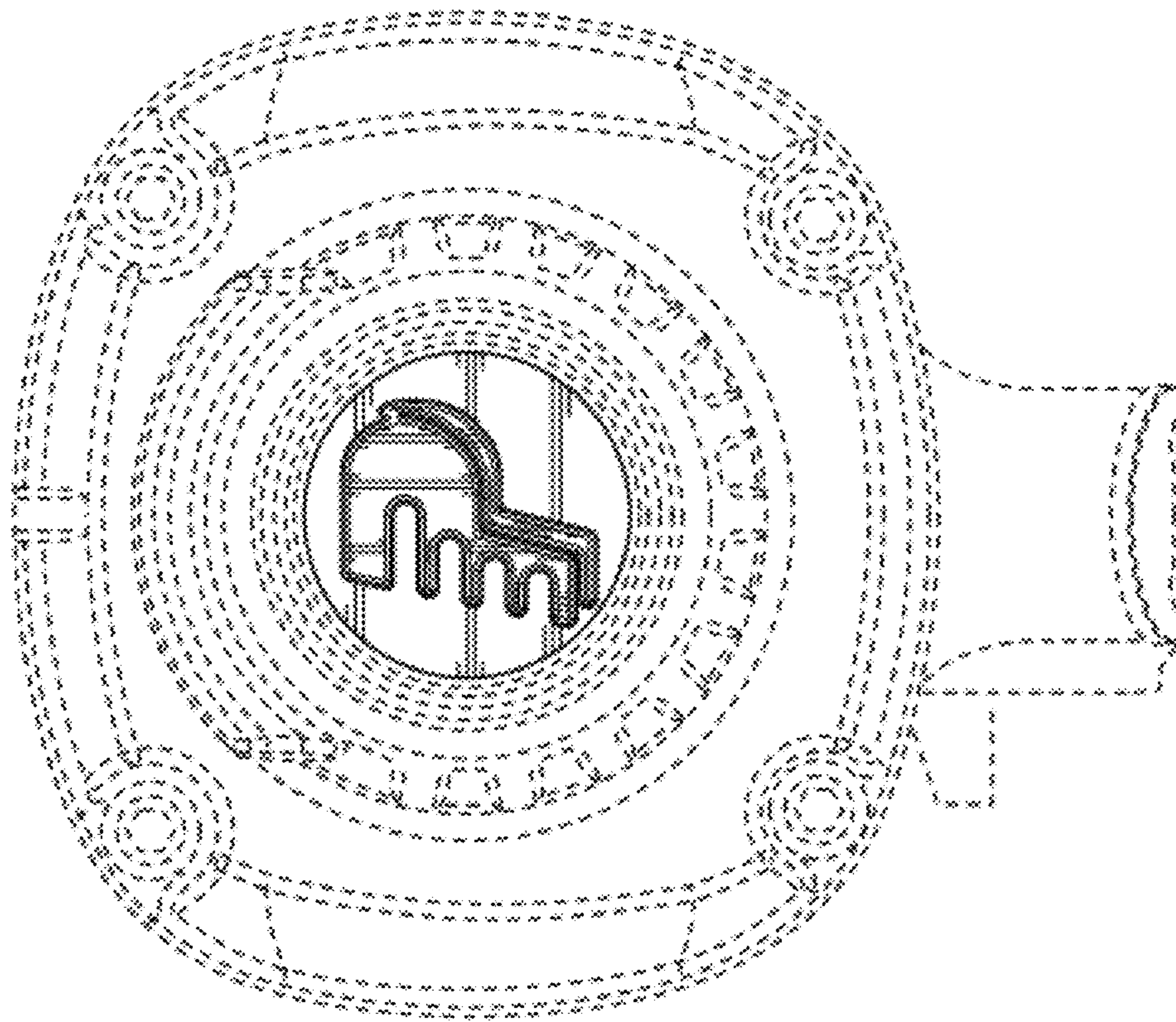


FIG. 6

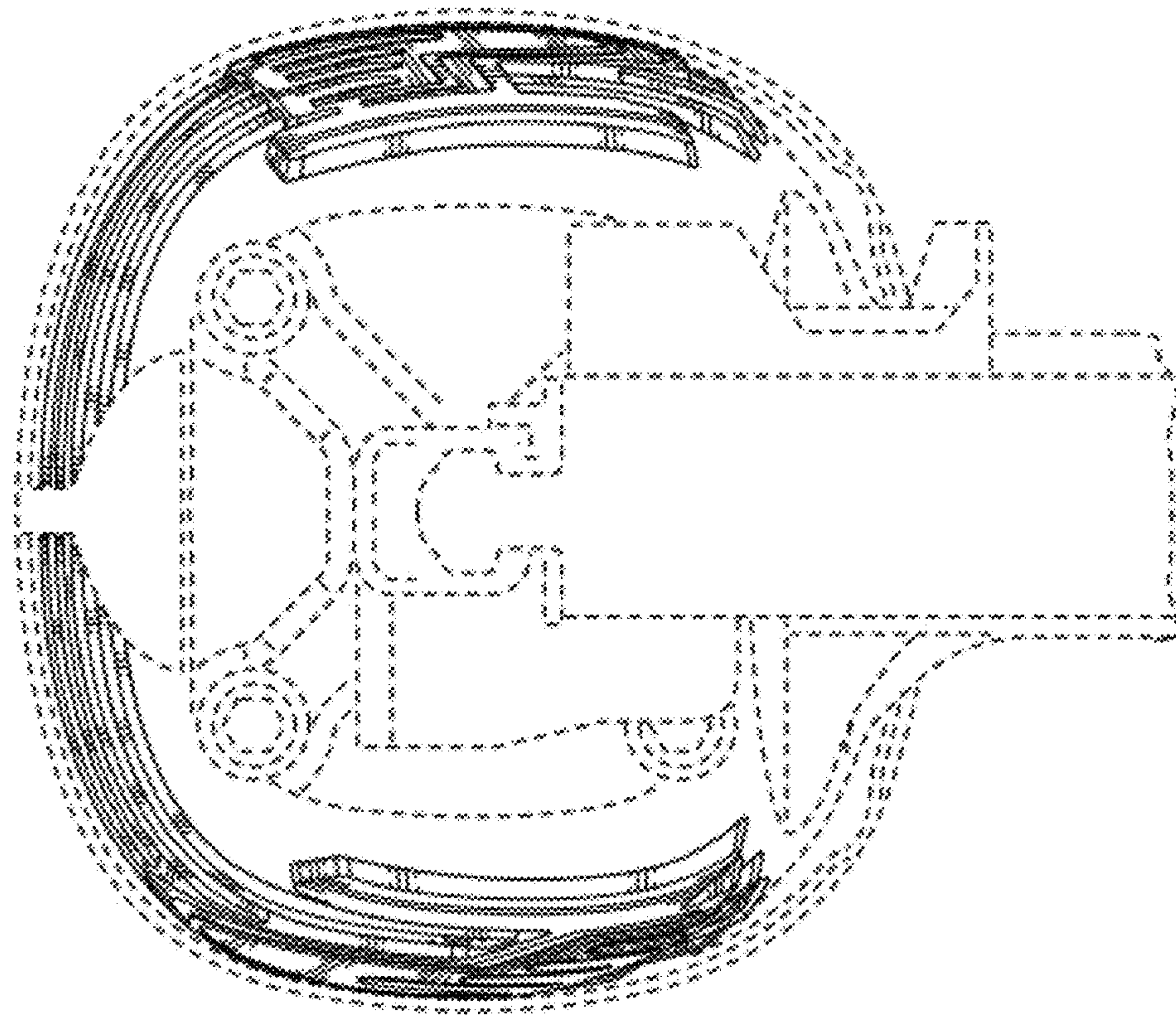


FIG. 7