



US00D675499S

(12) **United States Design Patent**
Faucher

(10) **Patent No.:** **US D675,499 S**

(45) **Date of Patent:** **** *Feb. 5, 2013**

(54) **PIPE CUTTER TOOL**

(75) Inventor: **Chrstophe Faucher**, Epernay (FR)

(73) Assignee: **Virax S.A.S.**, Epernay (FR)

(*) Notice: This patent is subject to a terminal disclaimer.

(**) Term: **14 Years**

(21) Appl. No.: **29/394,292**

(22) Filed: **Jun. 15, 2011**

(51) **LOC (9) Cl.** **08-03**

(52) **U.S. Cl.** **D8/60**

(58) **Field of Classification Search** D8/60,
D8/61, 20; 83/887, 639.1, 455, 439, 82;
82/92, 82, 73, 128, 113; 30/99, 98, 97, 96,
30/95, 92, 102; 166/55.8, 55.6
See application file for complete search history.

(56) **References Cited**

U.S. PATENT DOCUMENTS

D161,438 S *	1/1951	Franck	D8/60
D191,011 S *	8/1961	Noveske	D8/60
D192,447 S *	3/1962	Ayer	D8/60

D367,213 S *	2/1996	Azkona	D8/60
D399,399 S *	10/1998	Huang	D8/60
D431,765 S *	10/2000	Huang	D8/60
D569,702 S *	5/2008	Groten	D8/60
RE40,461 E *	8/2008	Hu	30/102
D612,698 S *	3/2010	Huang	D8/60
7,934,317 B2 *	5/2011	Chiu	30/102

* cited by examiner

Primary Examiner — Austin Murphy

(74) *Attorney, Agent, or Firm* — Stites & Harbison PLLC;
Douglas E. Jackson

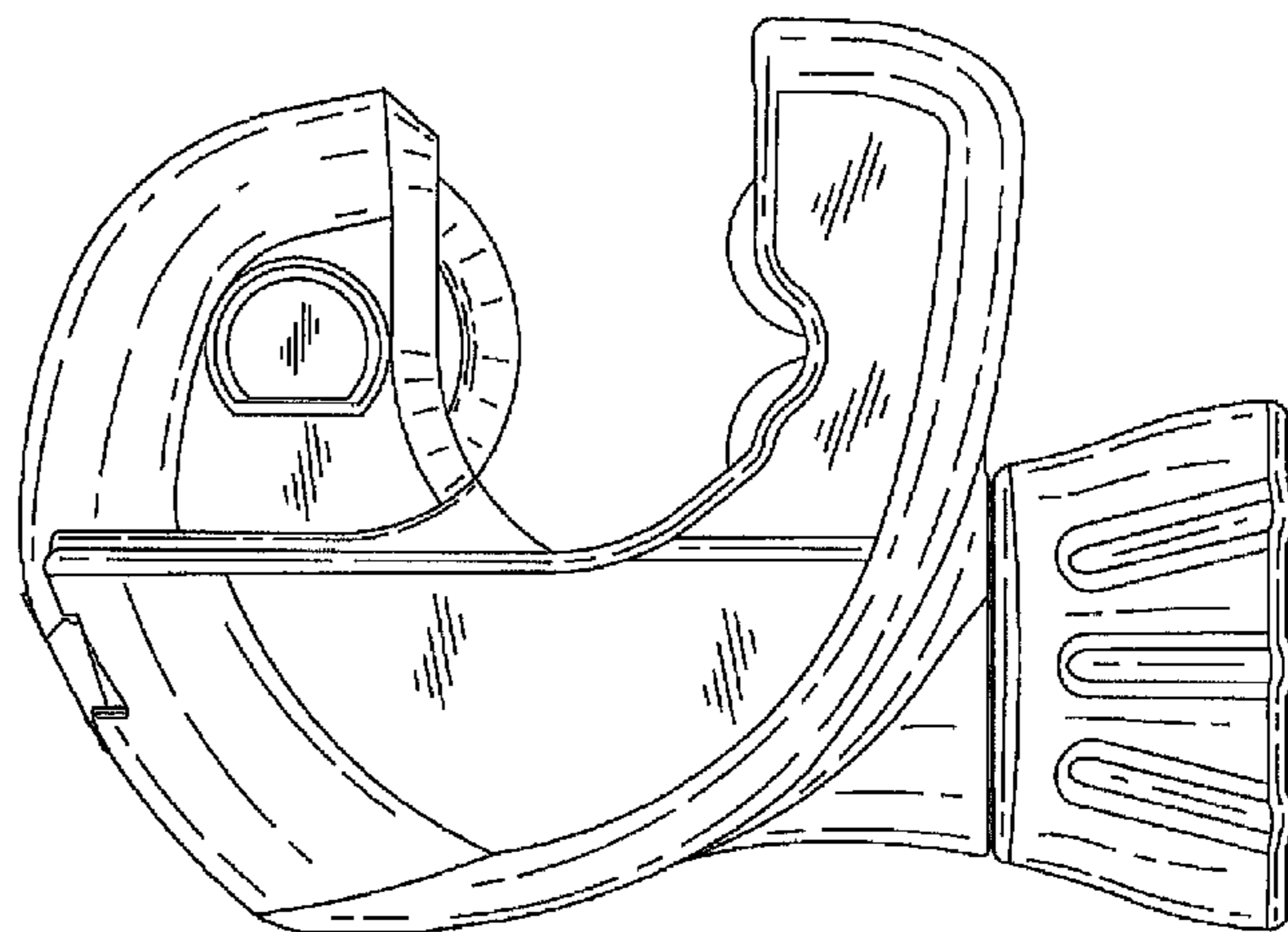
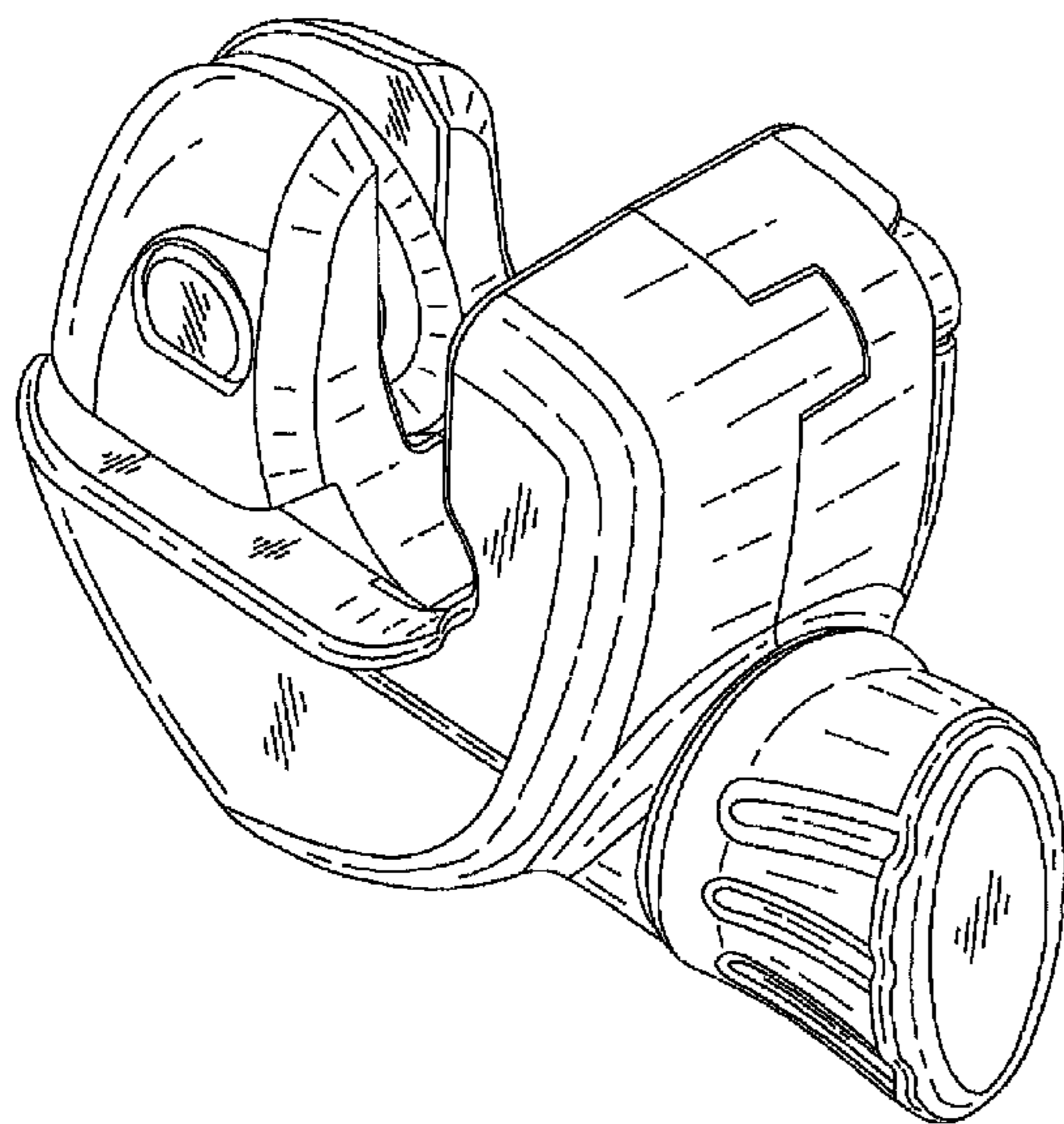
(57) **CLAIM**

The ornamental design for a pipe cutter tool, as shown and described.

DESCRIPTION

FIG. 1 is a perspective view of a pipe cutter tool according to the present invention;
FIG. 2 is a front view of the tool of FIG. 1;
FIG. 3 is a rear view of the tool of FIG. 1;
FIG. 4 is a top plan view of the tool of FIG. 1;
FIG. 5 is a bottom plan view of the tool of FIG. 1;
FIG. 6 is a left side view of the tool of FIG. 1; and,
FIG. 7 is a right side view of the tool of FIG. 1.

1 Claim, 7 Drawing Sheets



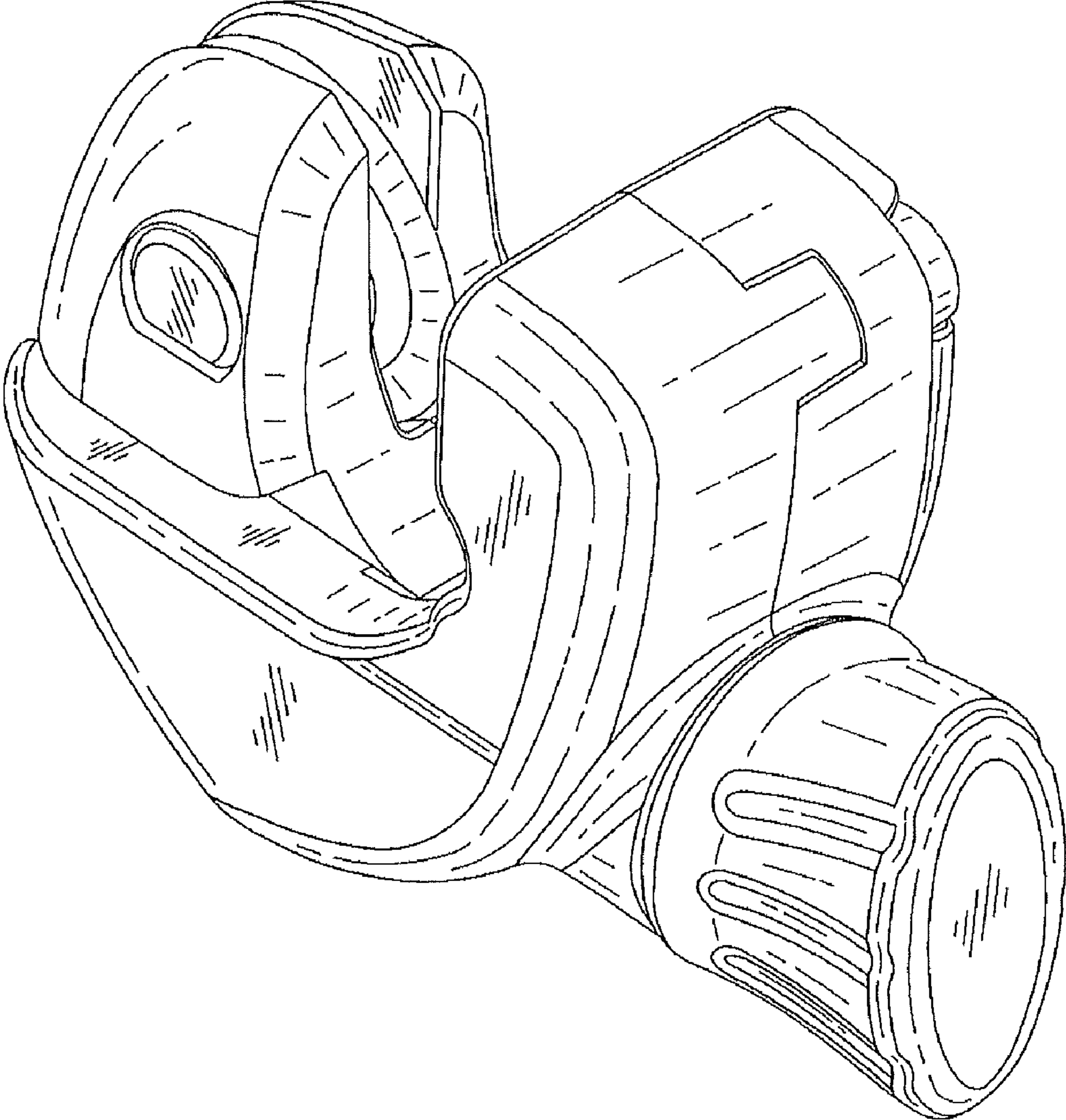


FIG.1

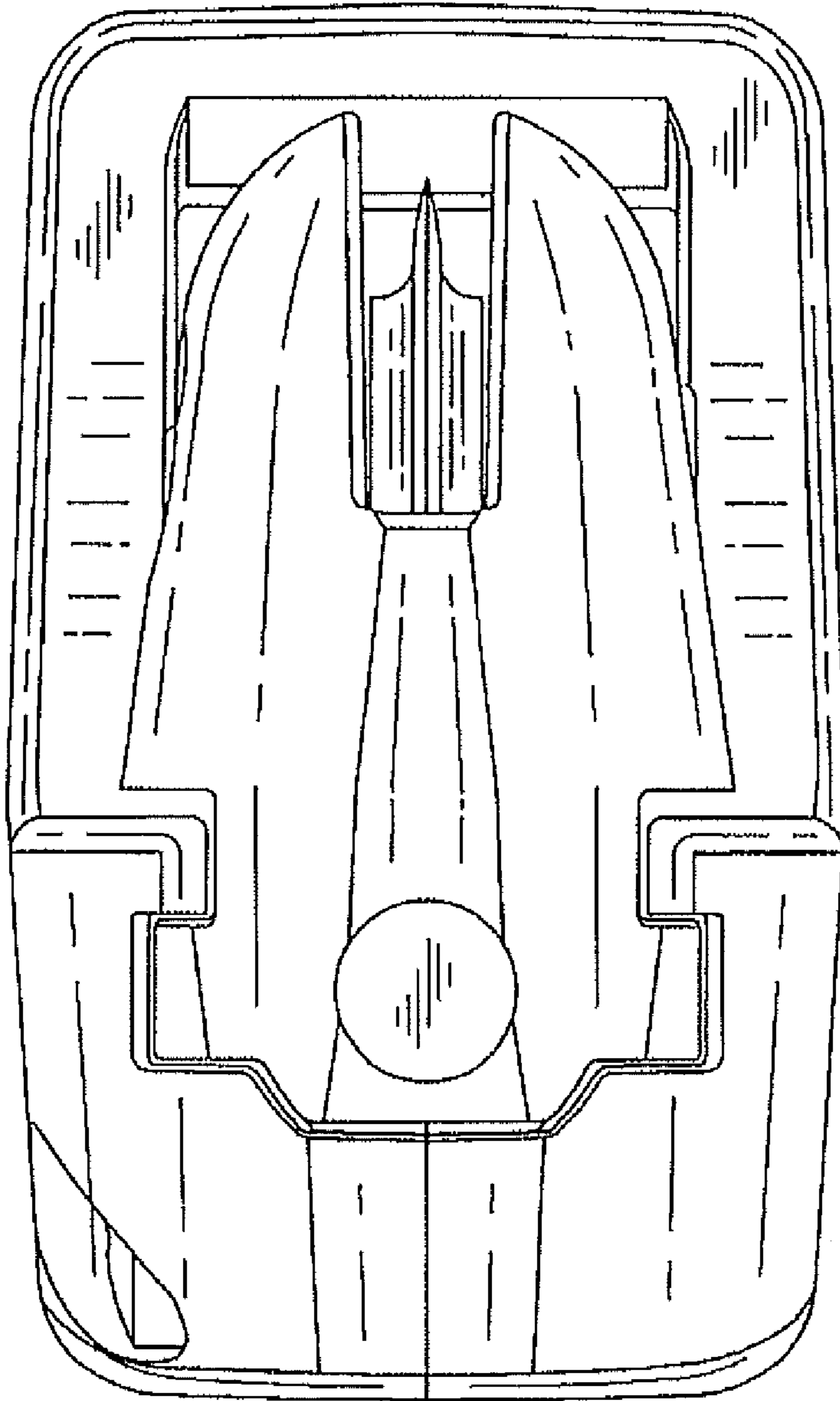


FIG.2

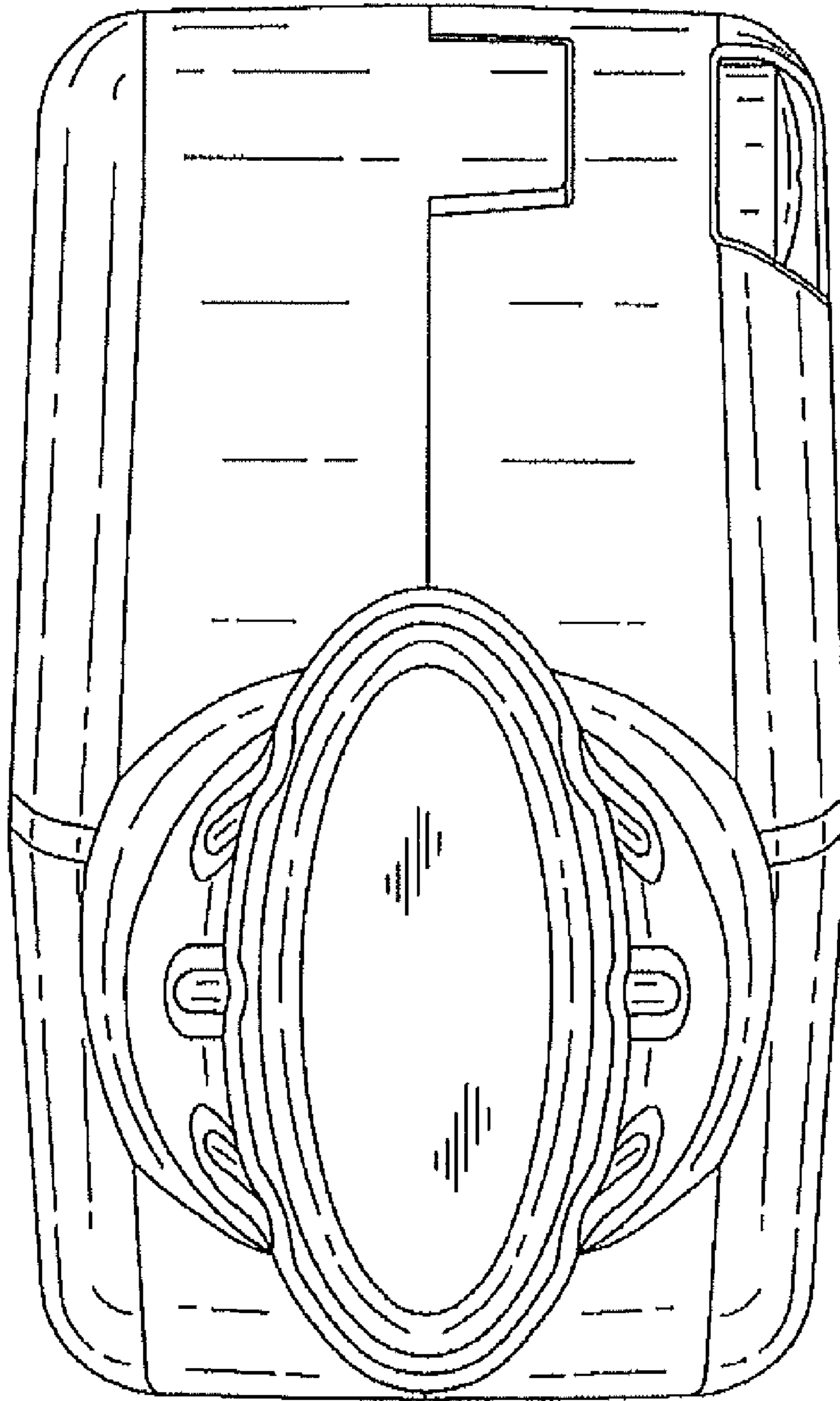


FIG.3

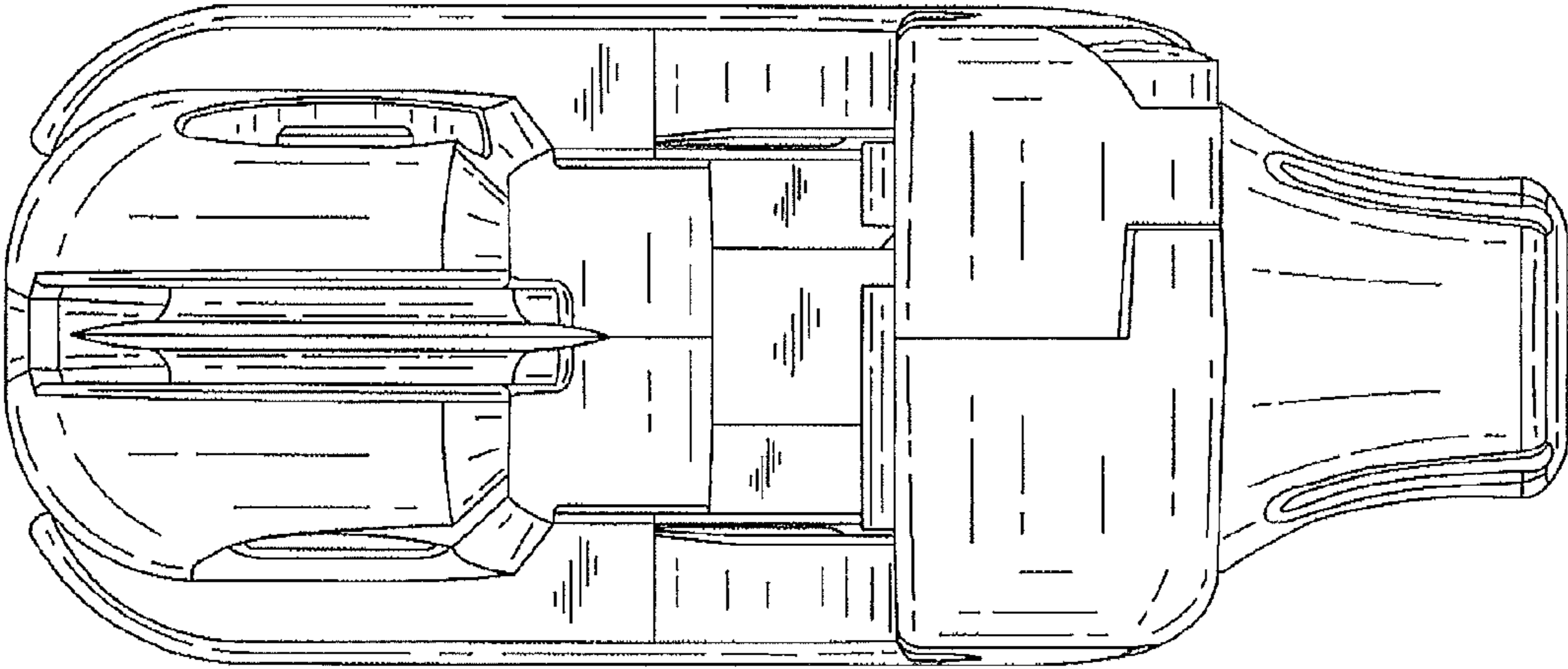


FIG.4

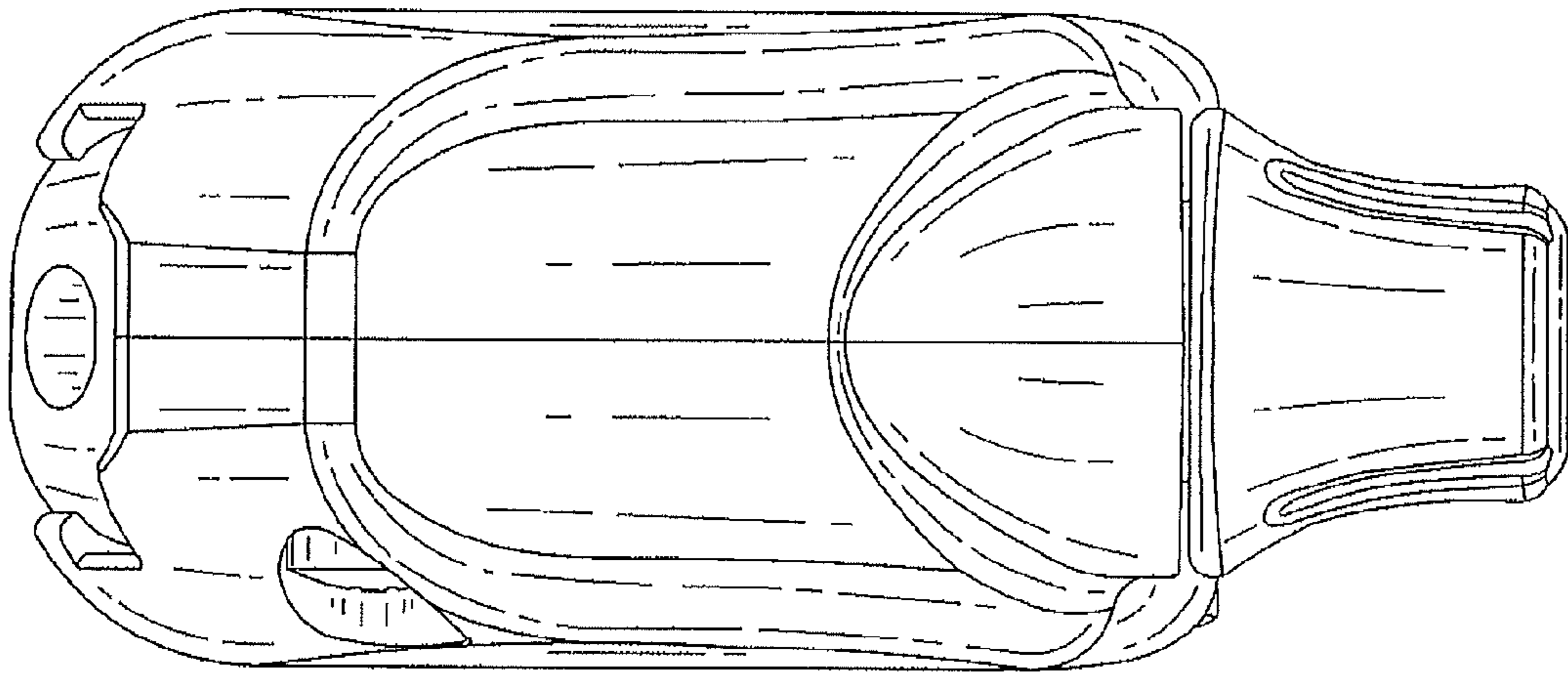


FIG.5

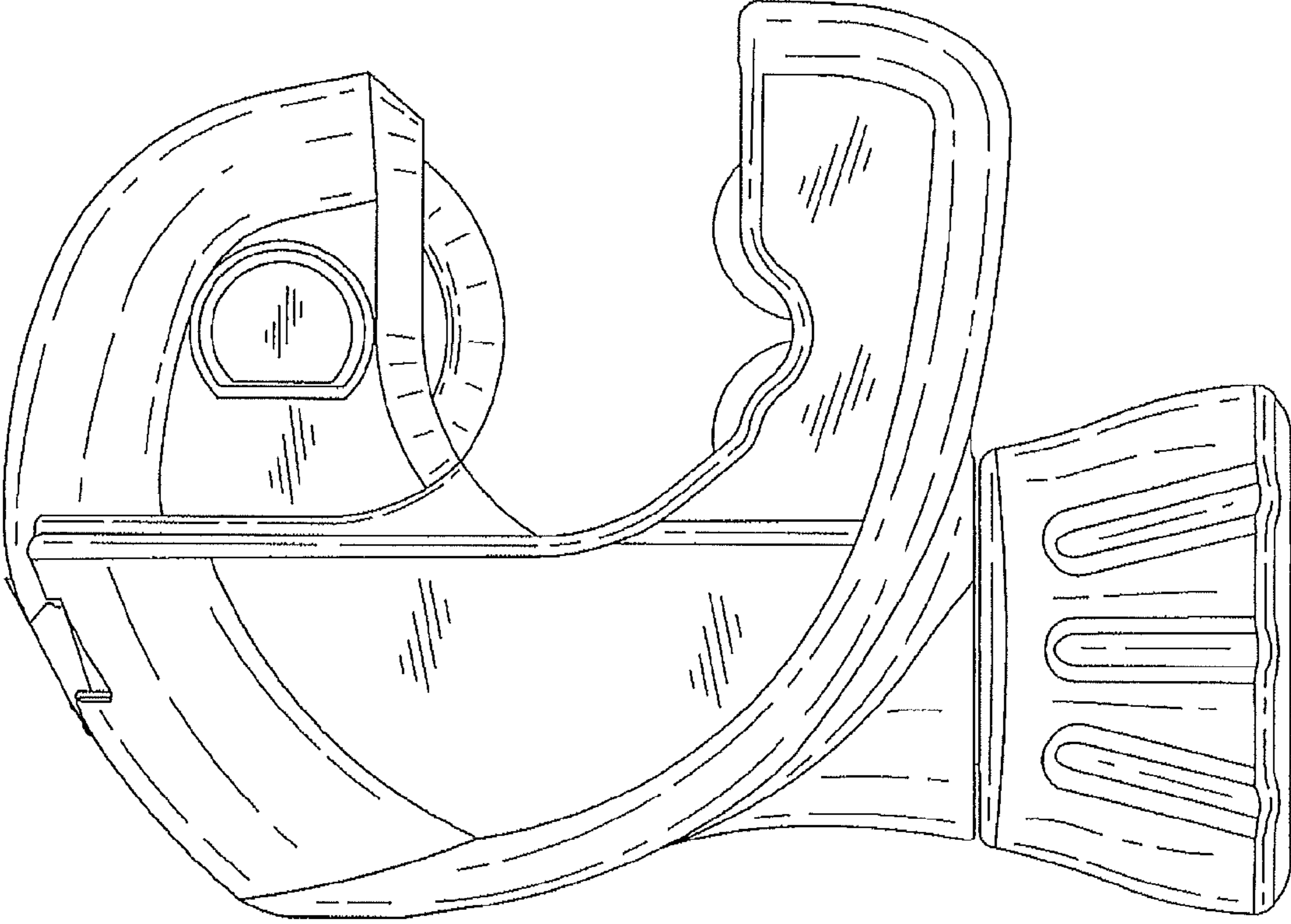


FIG.6

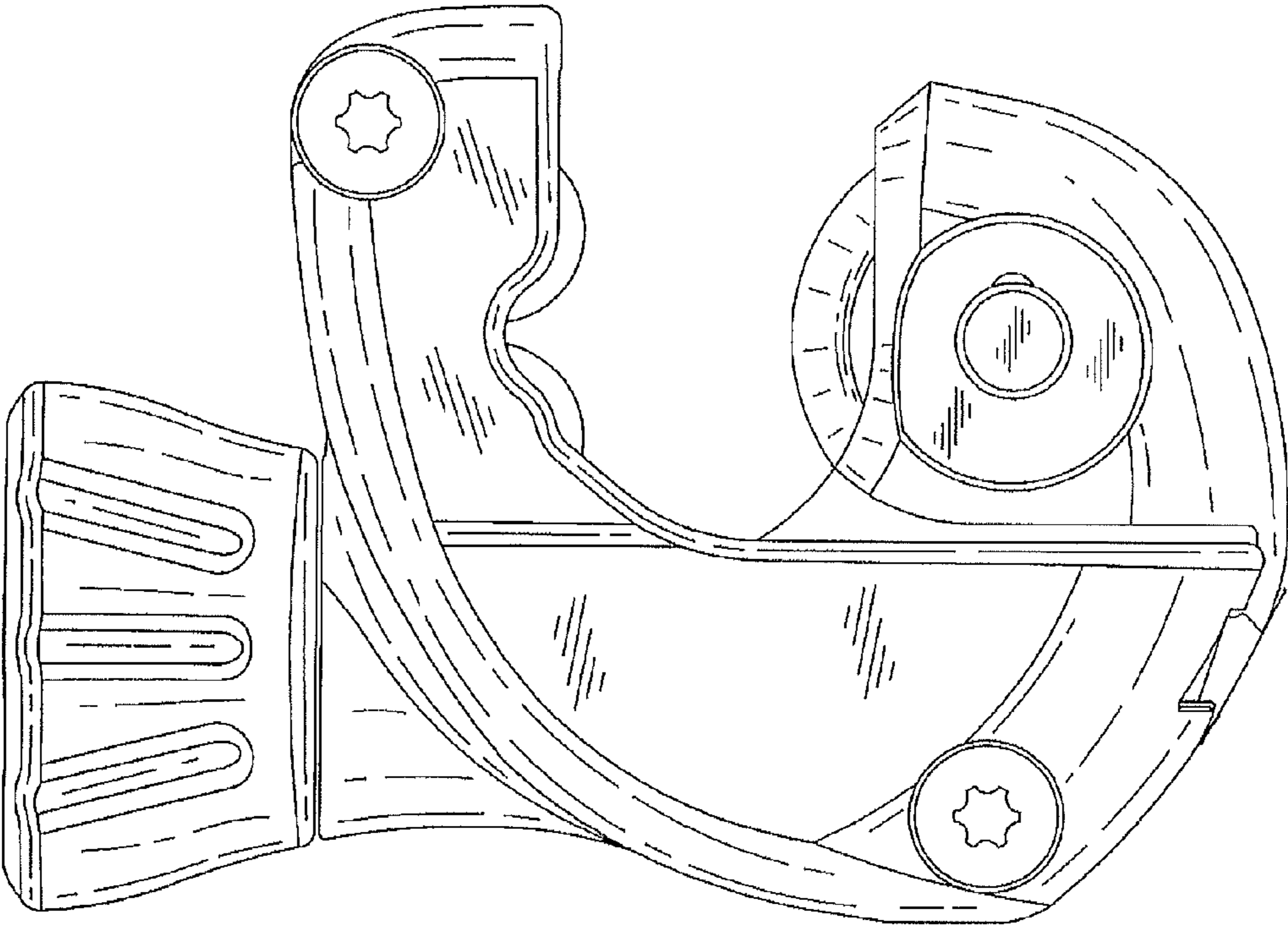


FIG.7