



US00D675497S

(12) **United States Design Patent**  
**Welch**

(10) **Patent No.:** **US D675,497 S**

(45) **Date of Patent:** **\*\* Feb. 5, 2013**

(54) **PIRATE HEAD SHAPED BOTTLE CAP  
REMOVER**

(76) Inventor: **James Douglas Welch**, Austin, TX (US)

(\*\*) Term: **14 Years**

(21) Appl. No.: **29/373,971**

(22) Filed: **Jun. 16, 2011**

(51) **LOC (9) Cl.** ..... **07-99**

(52) **U.S. Cl.** ..... **D8/38**

(58) **Field of Classification Search** ..... D8/14,  
D8/16-19, 333-43, 88, 89, 105; 7/113, 151-156;  
30/400-410, 416-430, 433, 434, 443, 450;  
81/3.07, 3.09, 3.2, 3.27, 3.29, 3.31, 3.35,  
81/3.37, 3.4, 3.45, 3.48, 3.49, 3.55  
See application file for complete search history.

(56) **References Cited**

**U.S. PATENT DOCUMENTS**

D87,212 S *	6/1932	Halvorsen	.....	D8/38
D87,567 S *	8/1932	Flauder	.....	D8/38
D504,290 S *	4/2005	Lockhart	.....	D8/38
D633,351 S *	3/2011	Welch	.....	D8/38
D658,463 S *	5/2012	Welch	.....	D8/38
D658,957 S *	5/2012	Welch	.....	D8/38

\* cited by examiner

*Primary Examiner* — Garth Rademaker

(74) *Attorney, Agent, or Firm* — David O. Simmons

(57) **CLAIM**

The ornamental design for a pirate head shaped bottle cap remover, as shown and described.

**DESCRIPTION**

FIG. 1 is a front, bottom, right side perspective view of a pirate head shaped bottle cap remover in accordance with the present invention, the broken lines showing portions of the pirate head shaped bottle cap remover which form no part of the claimed design.

FIG. 2 is a rear, bottom, left side perspective view of the pirate head shaped bottle cap remover of FIG. 1.

FIG. 3 is a front view of the pirate head shaped bottle cap remover of FIG. 1;

FIG. 4 is a rear view of the pirate head shaped bottle cap remover of FIG. 1;

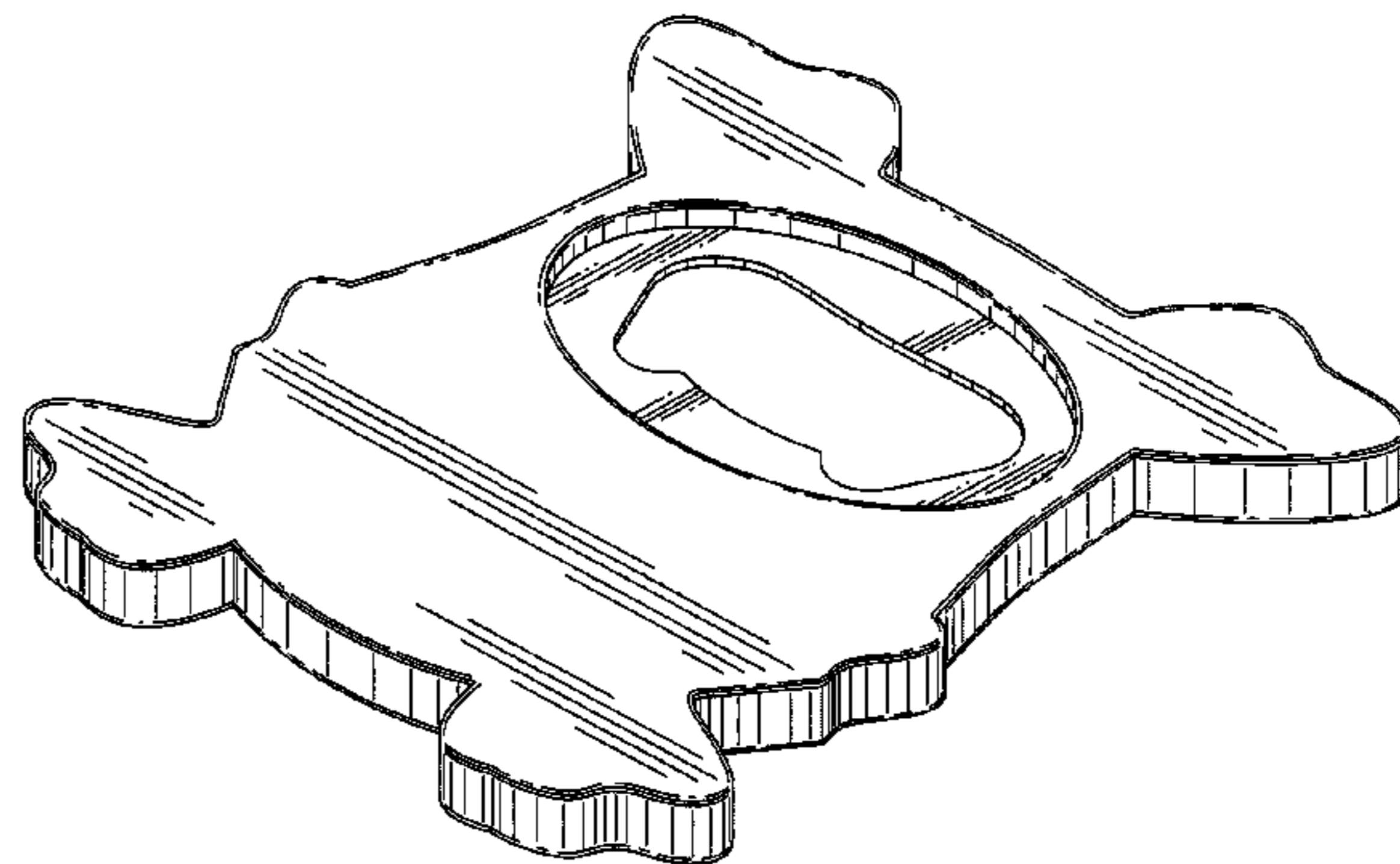
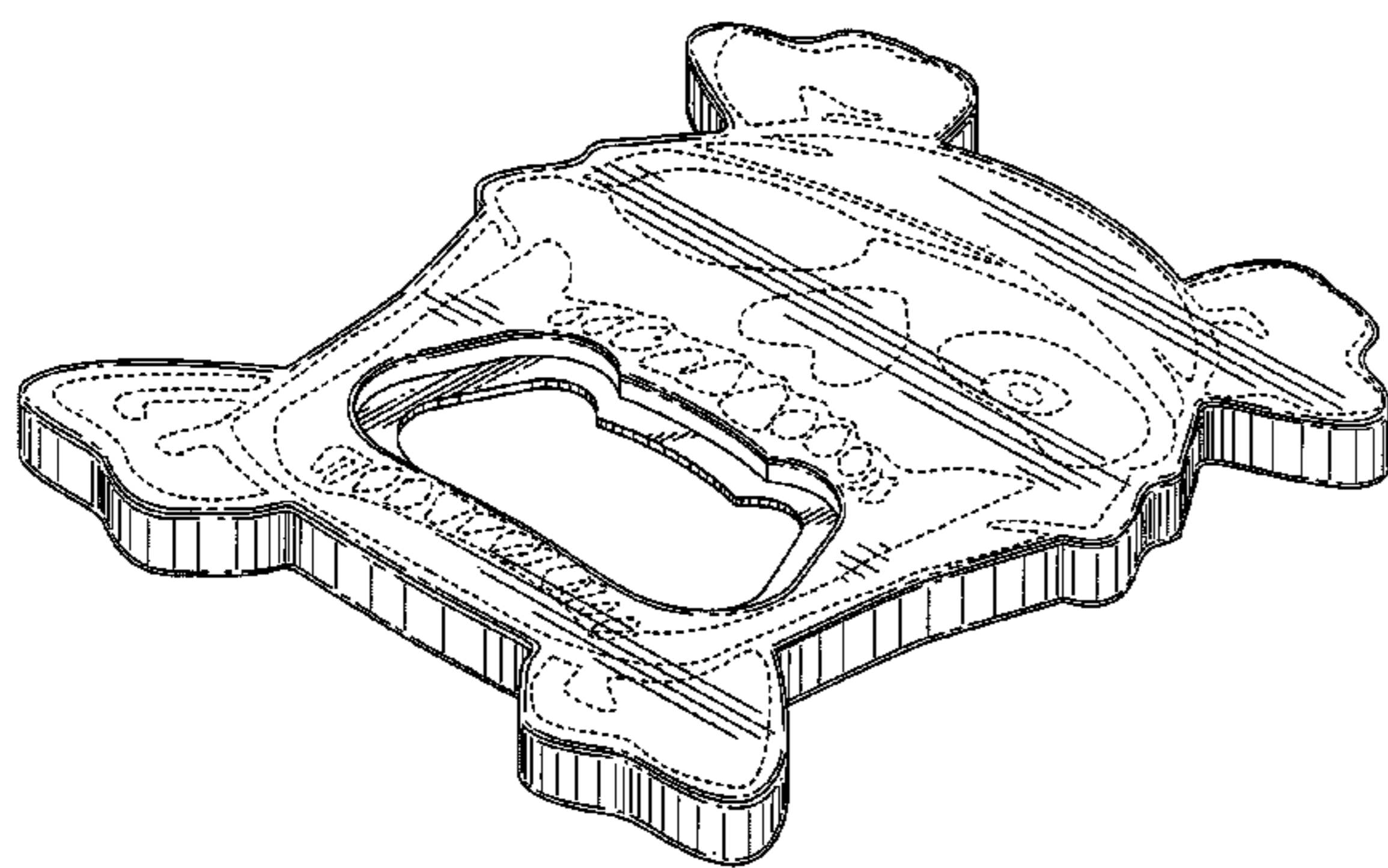
FIG. 5 is a right side view of the pirate head shaped bottle cap remover of FIG. 1;

FIG. 6 is a left side view of the pirate head shaped bottle cap remover of FIG. 1;

FIG. 7 is a top view of the pirate head shaped bottle cap remover of FIG. 1; and,

FIG. 8 is a bottom view of the pirate head shaped bottle cap remover of FIG. 1.

**1 Claim, 4 Drawing Sheets**



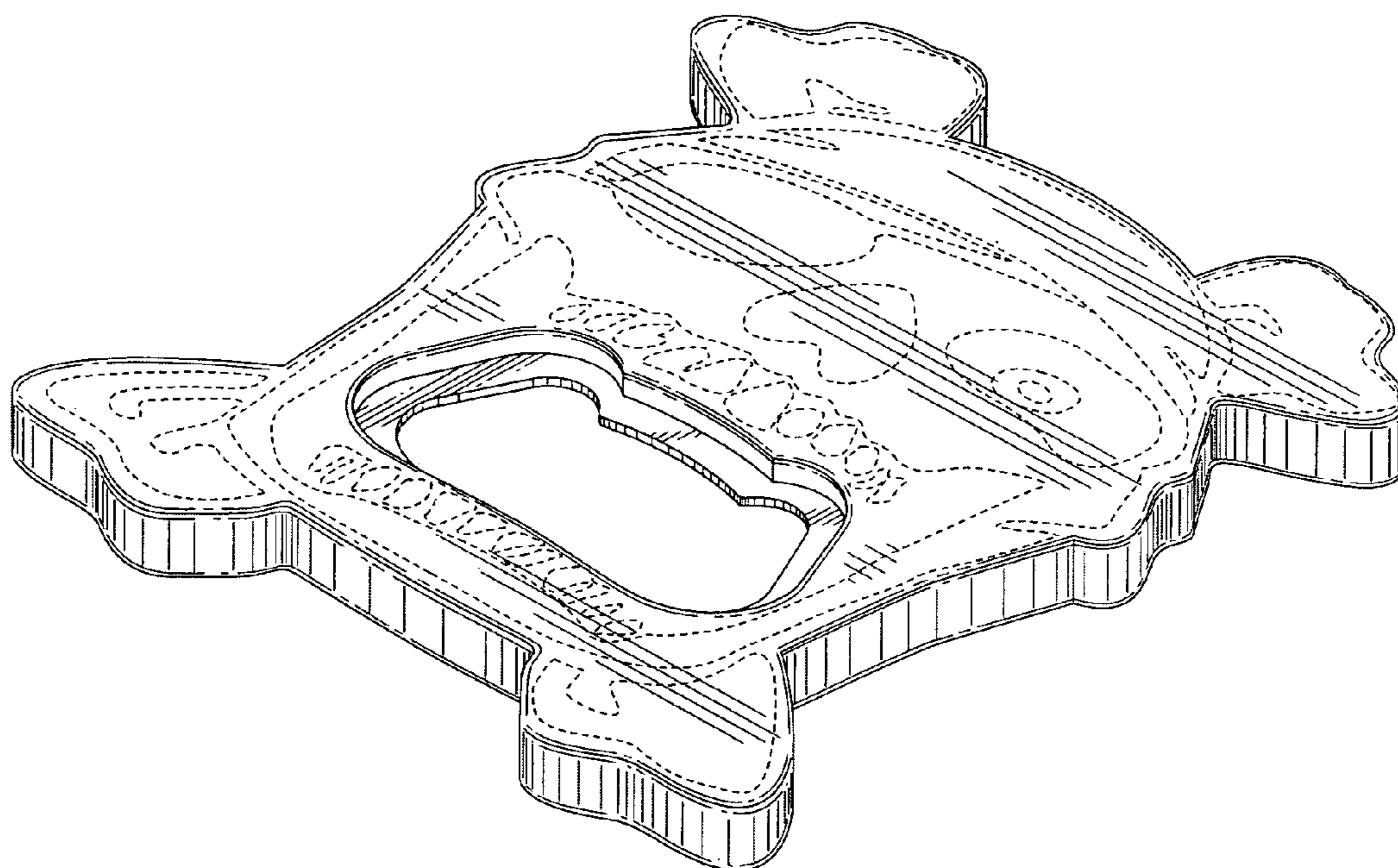


Fig. 1

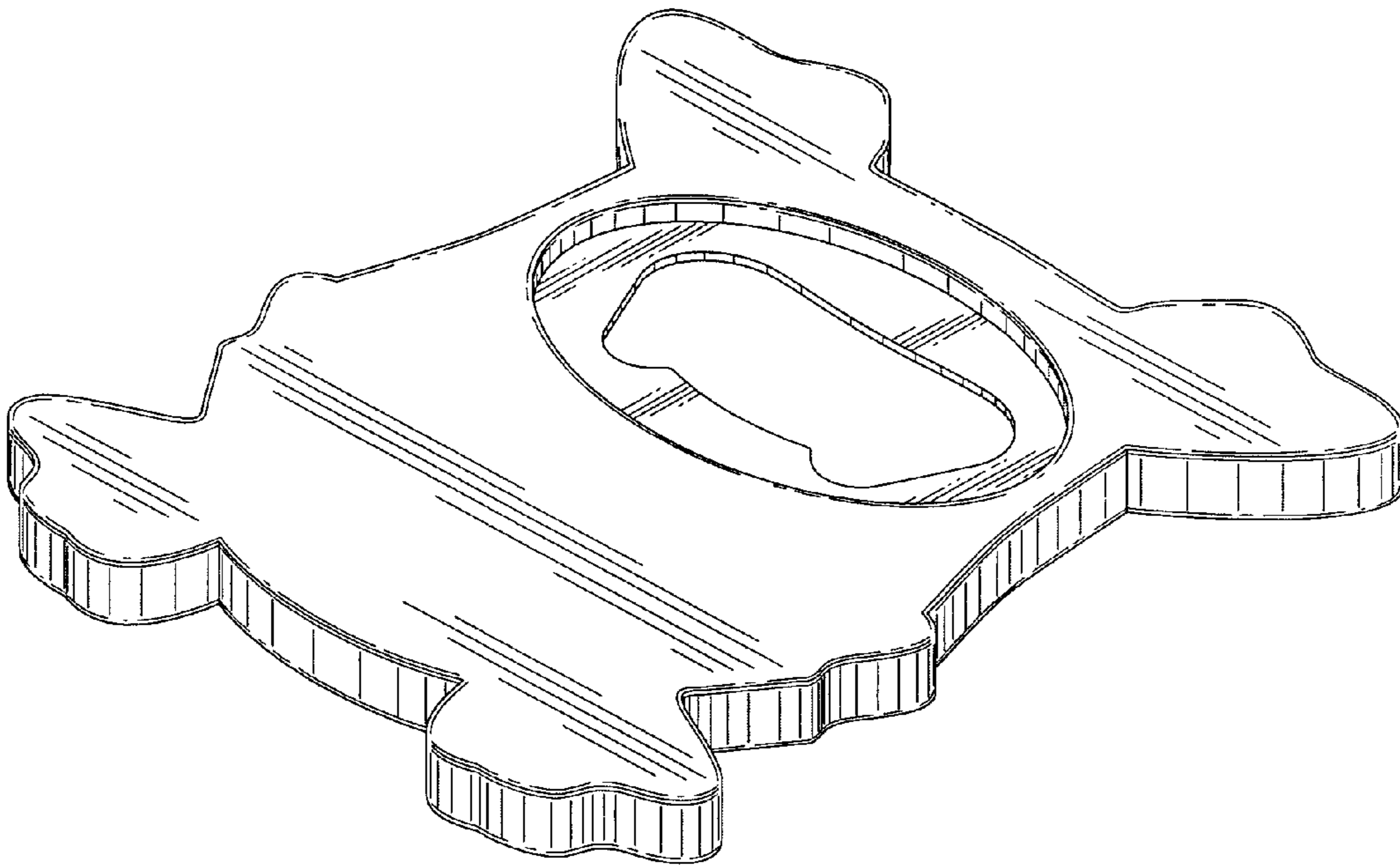


Fig. 2

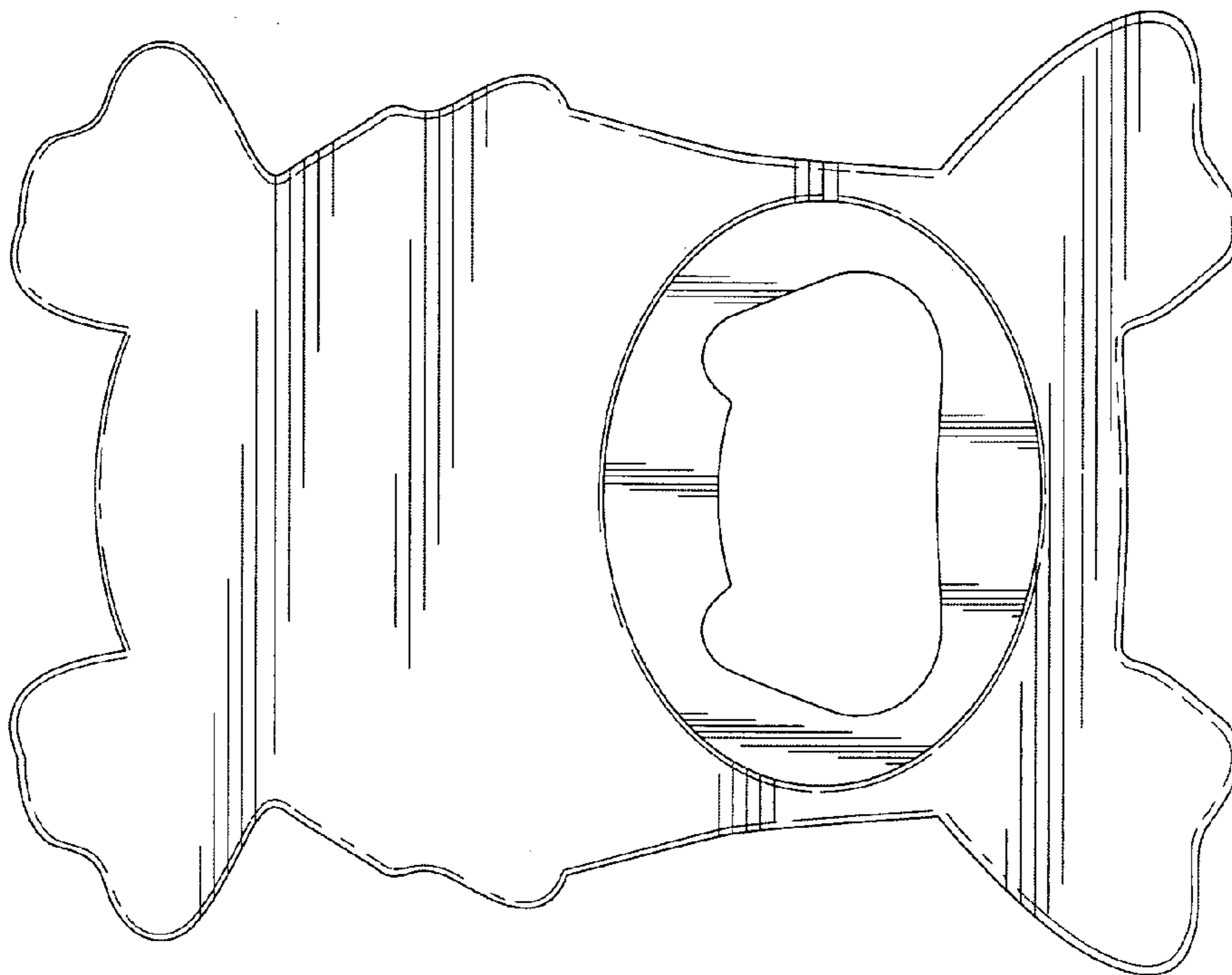


Fig. 4

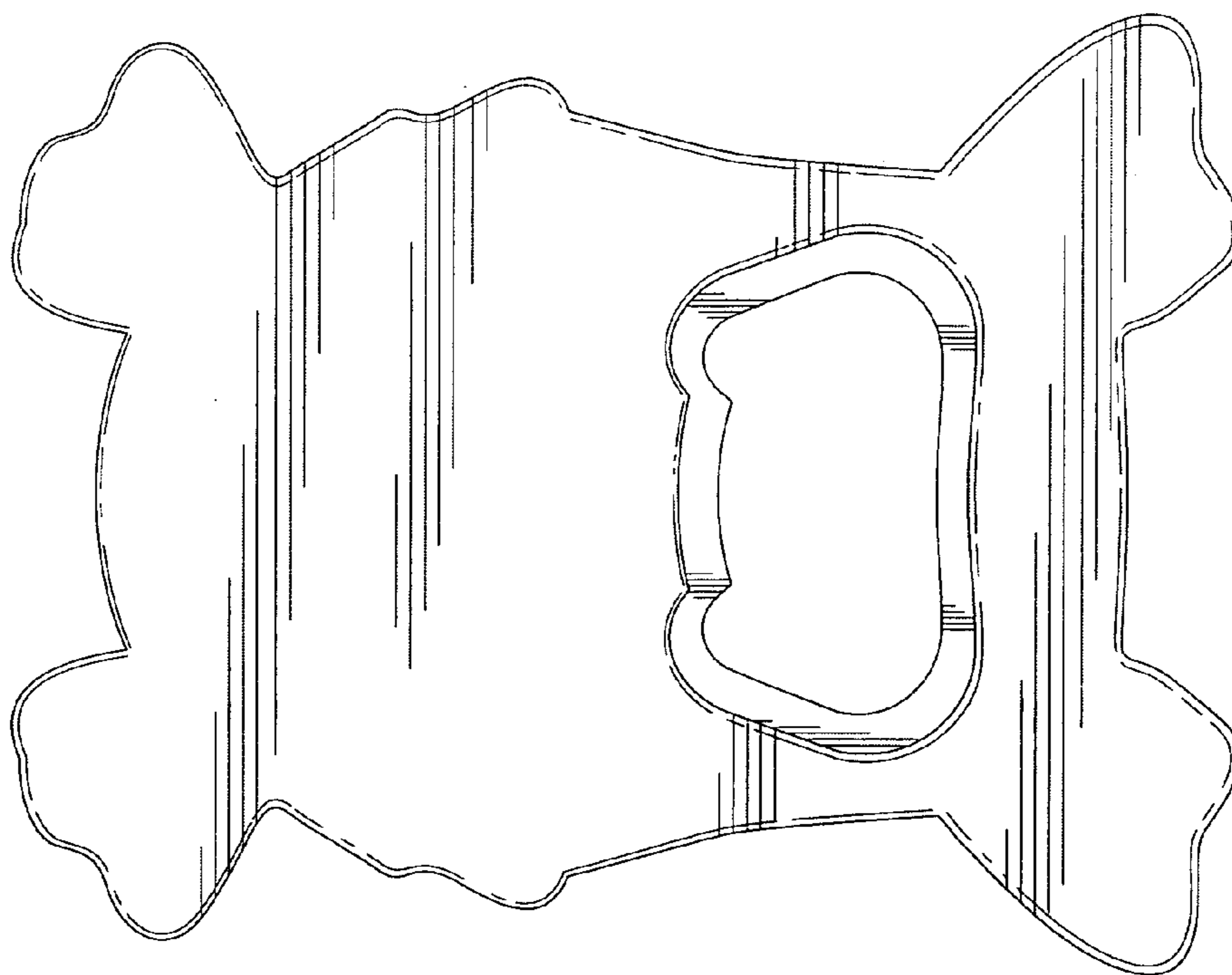
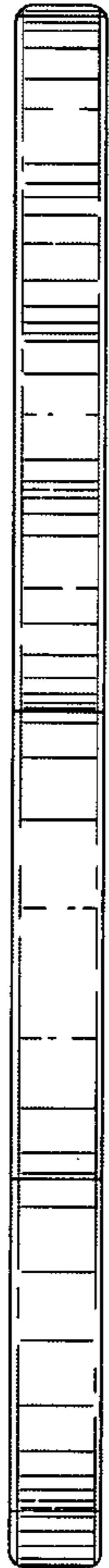
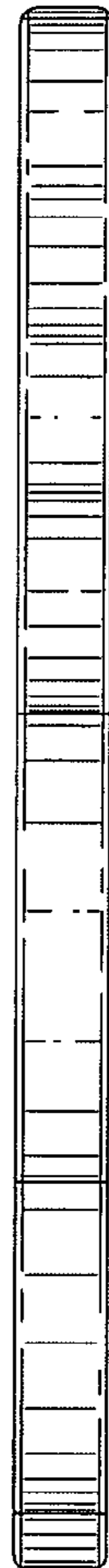


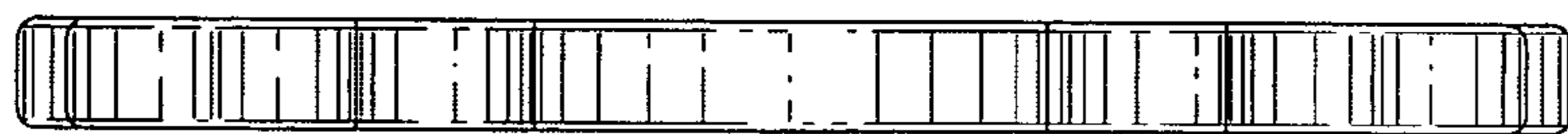
Fig. 3



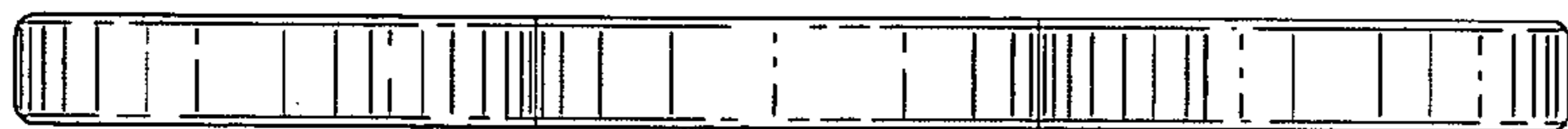
**Fig. 5**



**Fig. 6**



**Fig. 7**



**Fig. 8**