



US00D675496S

(12) **United States Design Patent**
Chang

(10) **Patent No.:** **US D675,496 S**

(45) **Date of Patent:** **** Feb. 5, 2013**

(54) **WRENCH SOCKET**

(75) Inventor: **Peter J. H. Chang**, Taipei (TW)

(73) Assignee: **Gourmet Equipment (Taiwan) Corporation**, Taipei (TW)

(**) Term: **14 Years**

(21) Appl. No.: **29/415,461**

(22) Filed: **Mar. 9, 2012**

(30) **Foreign Application Priority Data**

Dec. 20, 2011 (TW) 100306986

(51) **LOC (9) Cl.** **08-05**

(52) **U.S. Cl.** **D8/29**

(58) **Field of Classification Search** D8/21-29;
81/60, 177.1, 177.85, 121.1, 124.3, 165-170,
81/110.1, 176.2, 124.6, 176.1, 176.15, 177.2,
81/186, 125, 119, 180.1, 185.02; 16/110.1;
D15/144.1; 219/75, 227, 229, 121.16, 121.18;
220/228, 260

See application file for complete search history.

(56) **References Cited**

U.S. PATENT DOCUMENTS

5,031,488 A * 7/1991 Zumeta 81/180.1
D398,823 S * 9/1998 Hsieh D8/29

D506,908 S * 7/2005 Hsien D8/29
6,915,723 B2 * 7/2005 Hsieh 81/60
6,951,156 B2 * 10/2005 Garg 81/121.1
D520,311 S * 5/2006 Saunders D8/29
D542,106 S * 5/2007 Alsobrook D8/29
D570,657 S * 6/2008 Hsieh D8/29
D588,886 S * 3/2009 Davis D8/29
D592,922 S * 5/2009 Davidson D8/29

* cited by examiner

Primary Examiner — Raphael Barkai

Assistant Examiner — Randall Gholson

(74) *Attorney, Agent, or Firm* — Christie, Parker & Hale, LLP

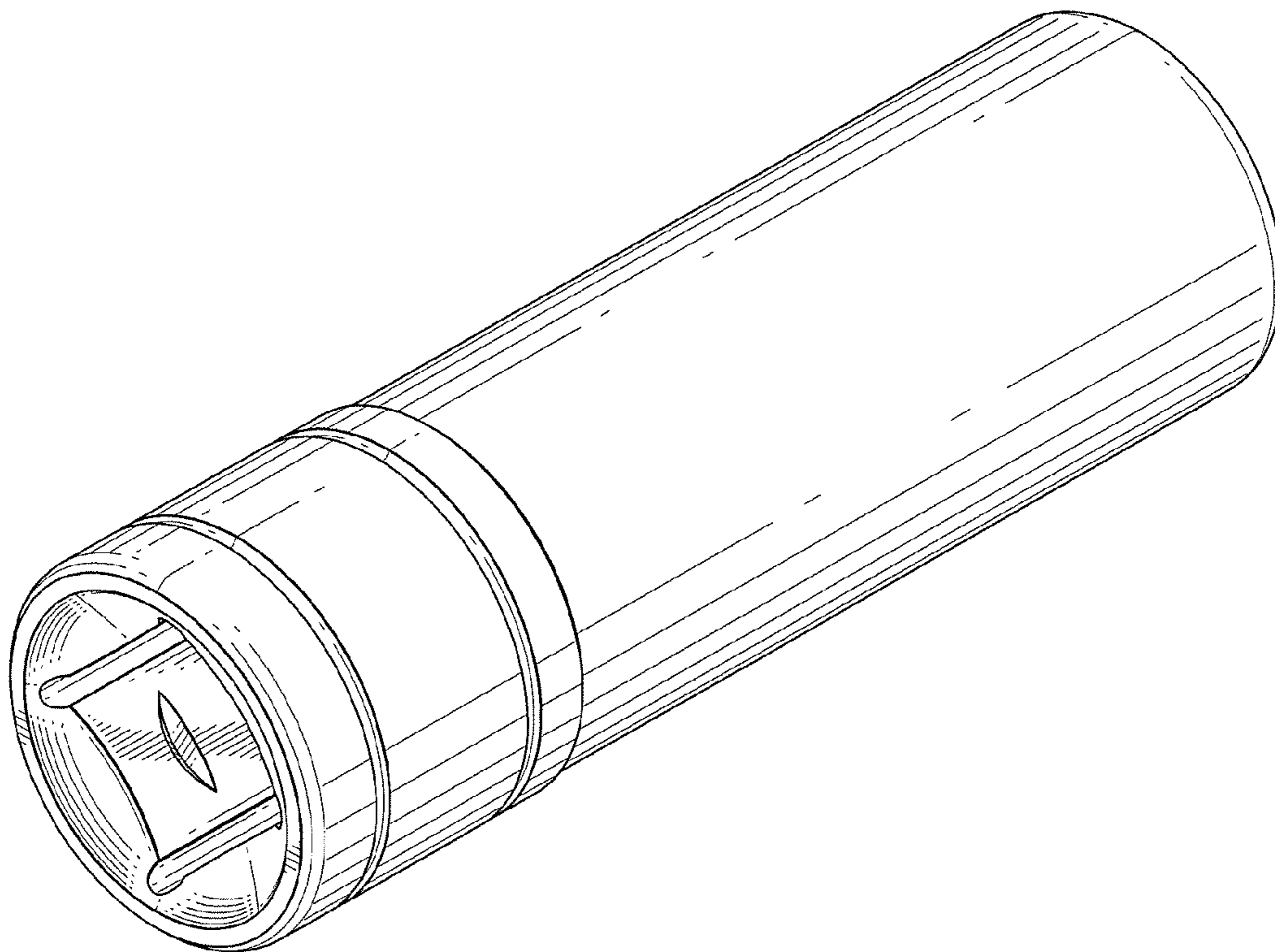
(57) **CLAIM**

The ornamental design for wrench socket, as shown and described.

DESCRIPTION

FIG. 1 is a perspective view of wrench socket showing my new design;
FIG. 2 is a front elevational view thereof;
FIG. 3 is a rear elevational view thereof;
FIG. 4 is a left side elevational view thereof;
FIG. 5 is a right side elevational view thereof;
FIG. 6 is a top plan view thereof;
FIG. 7 is a bottom plan view thereof; and,
FIG. 8 is a fragmentary perspective view of the wrench socket as viewed from the rear.

1 Claim, 6 Drawing Sheets



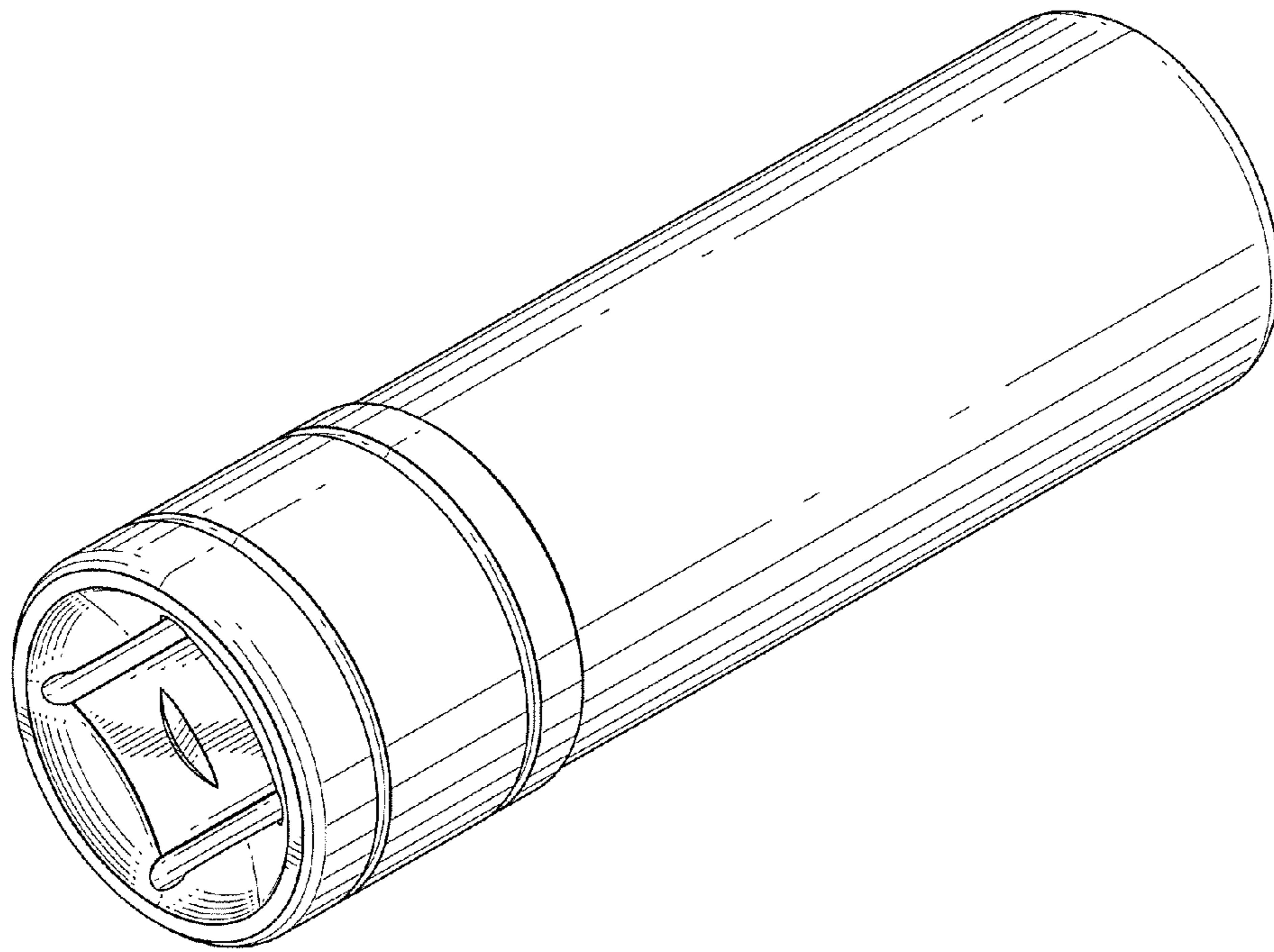


FIG. 1

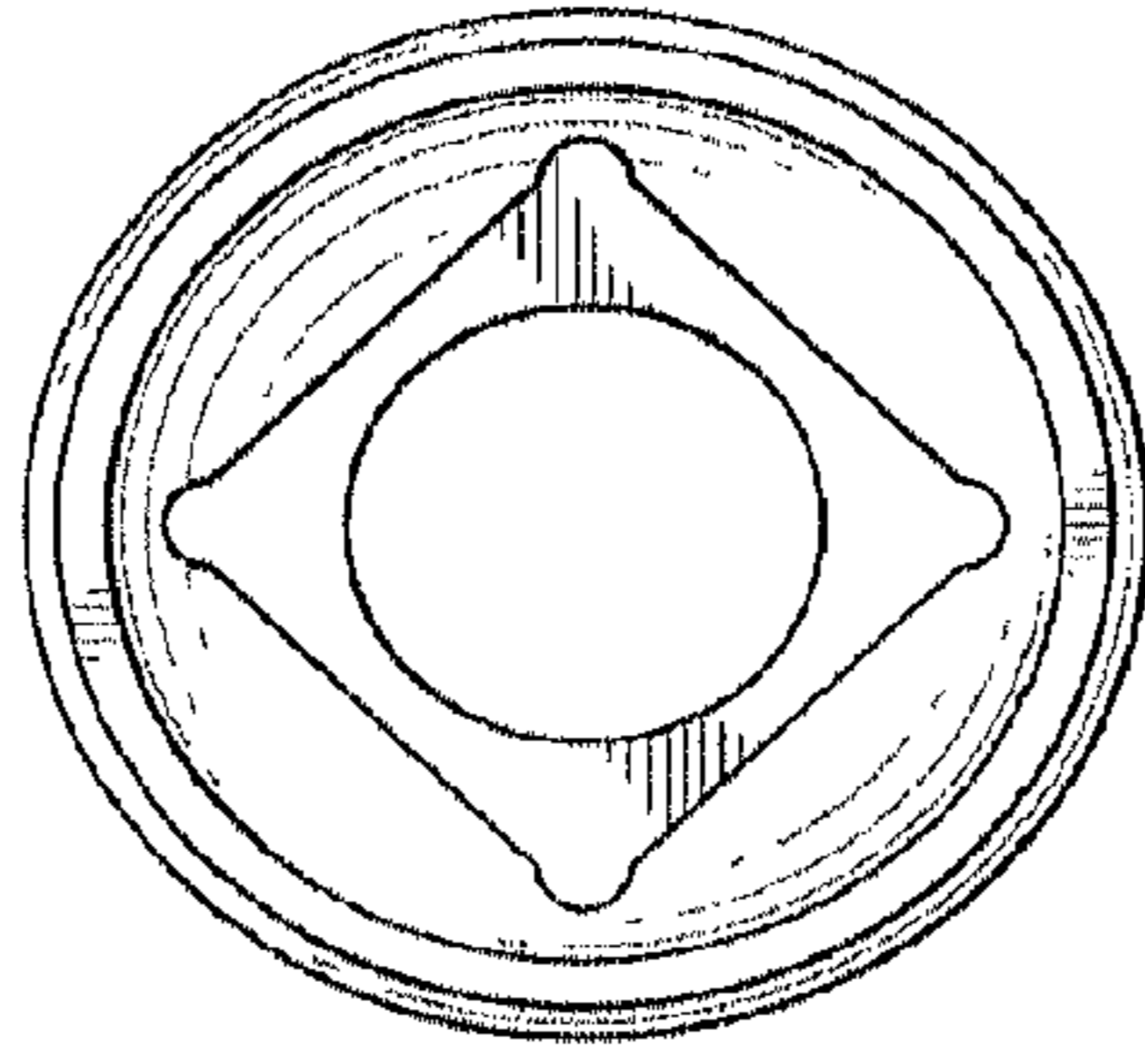


FIG. 2

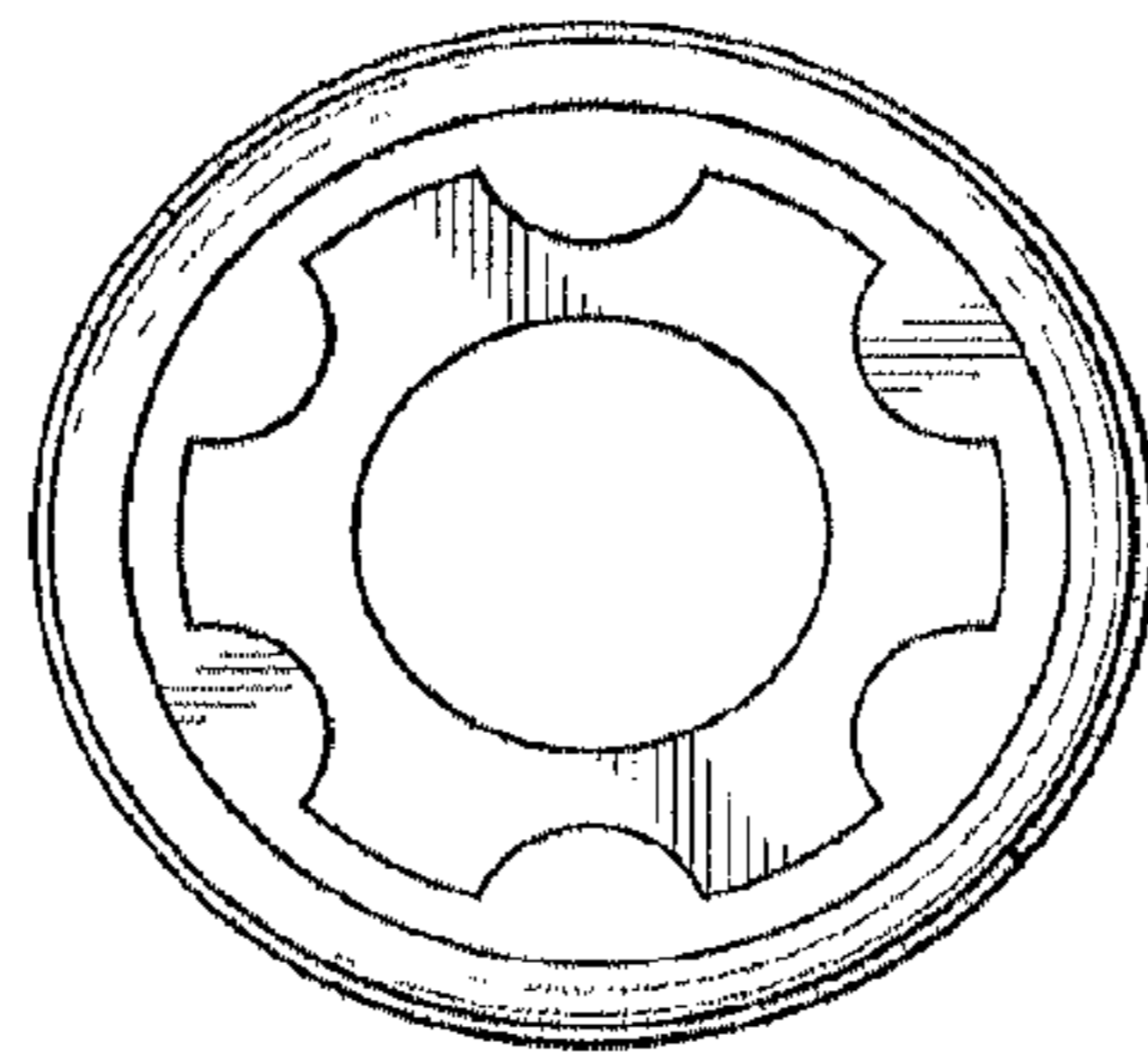


FIG. 3

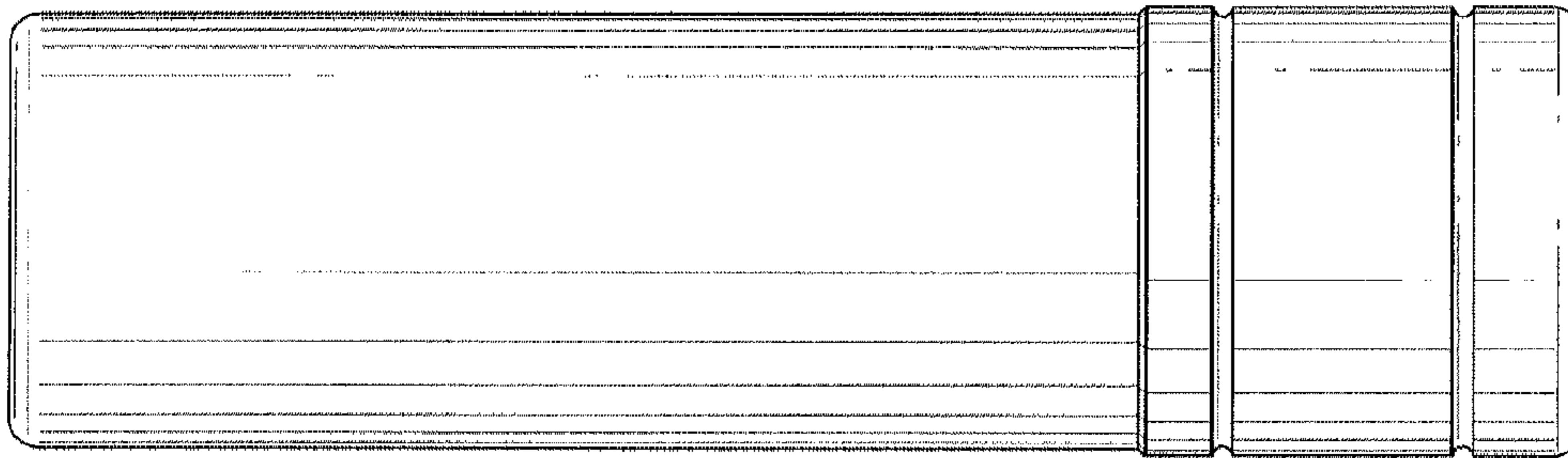


FIG. 4

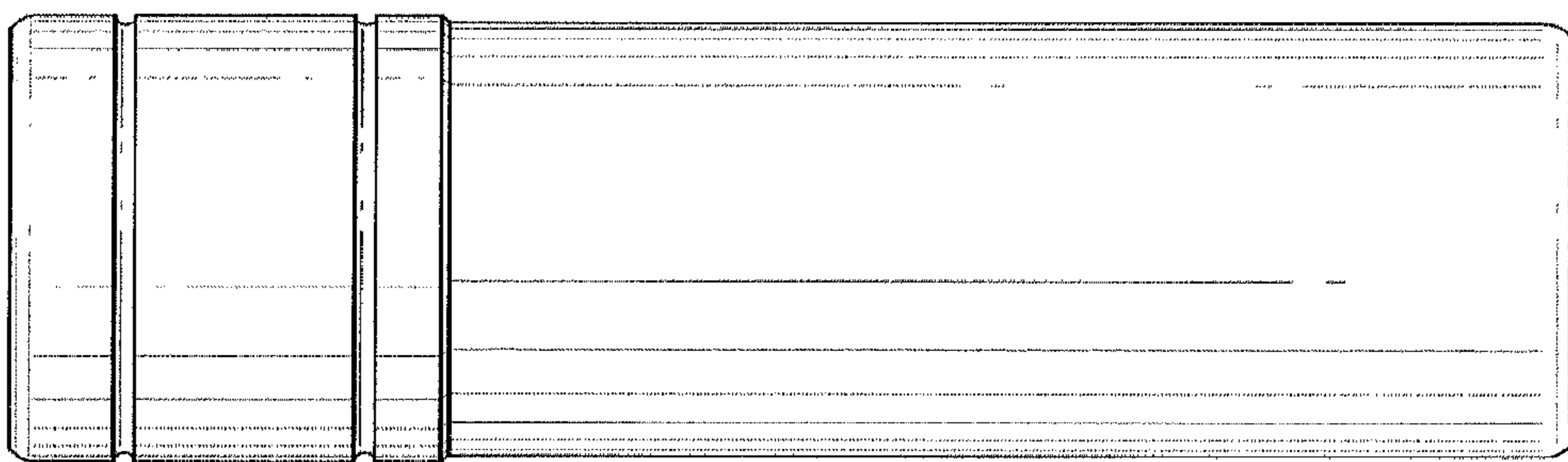


FIG. 5

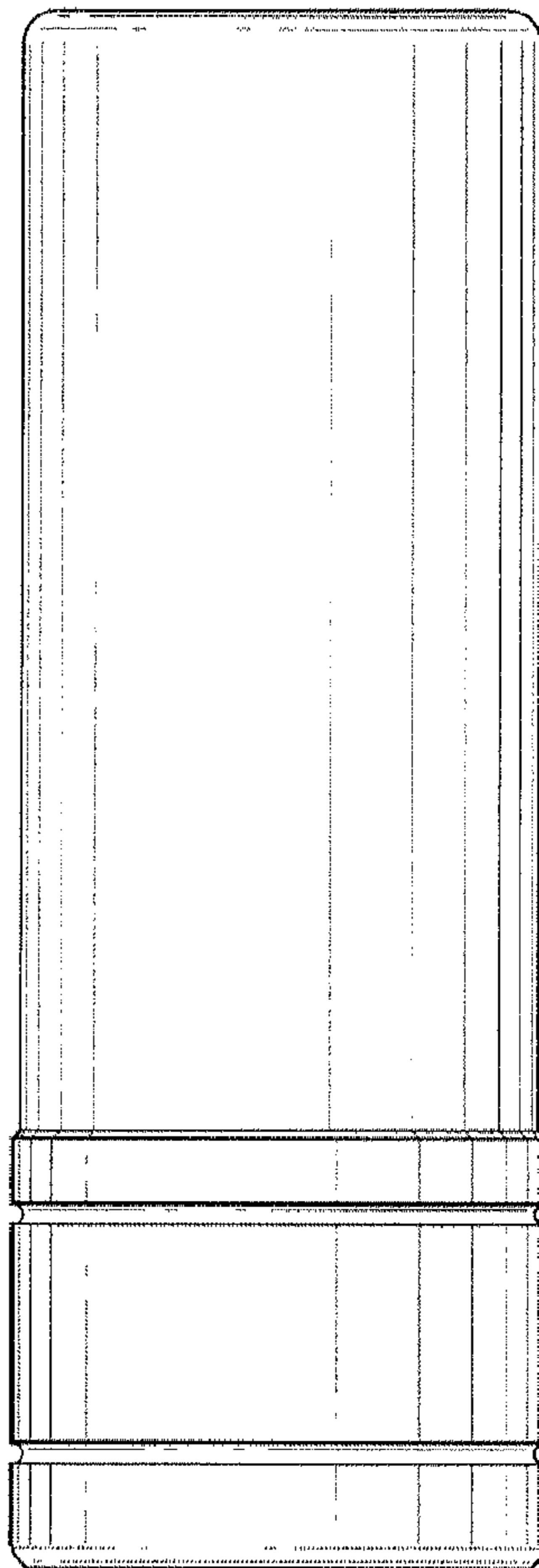


FIG. 6

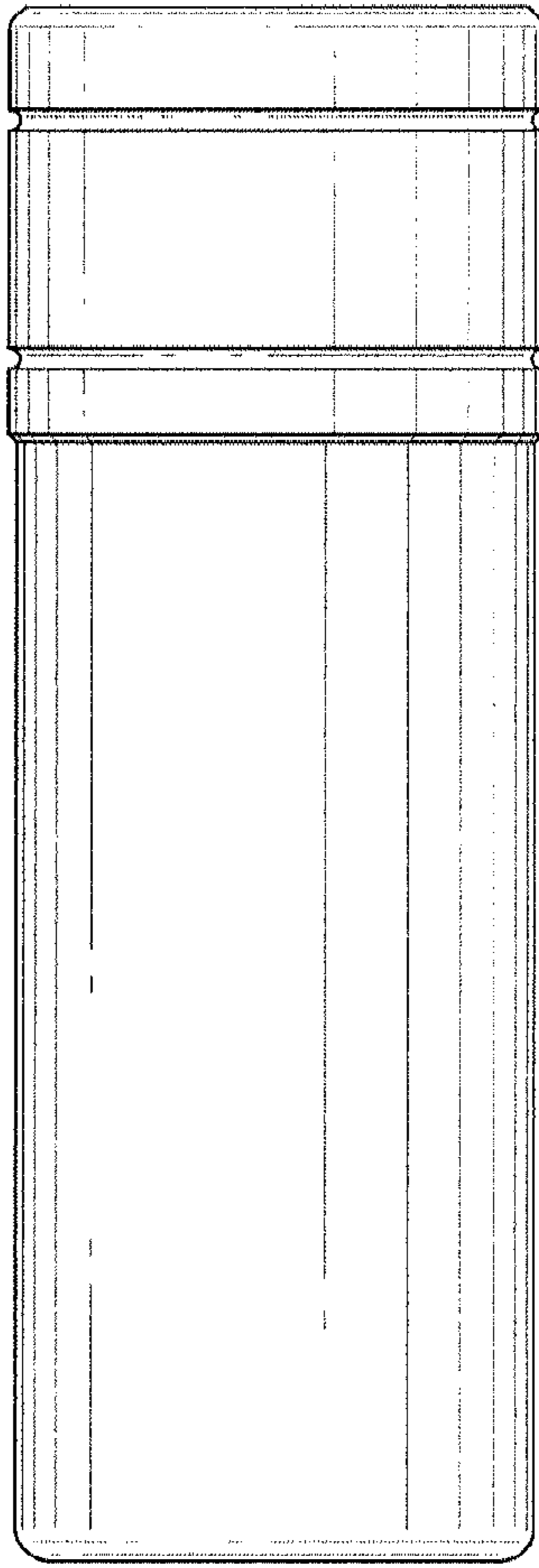


FIG. 7

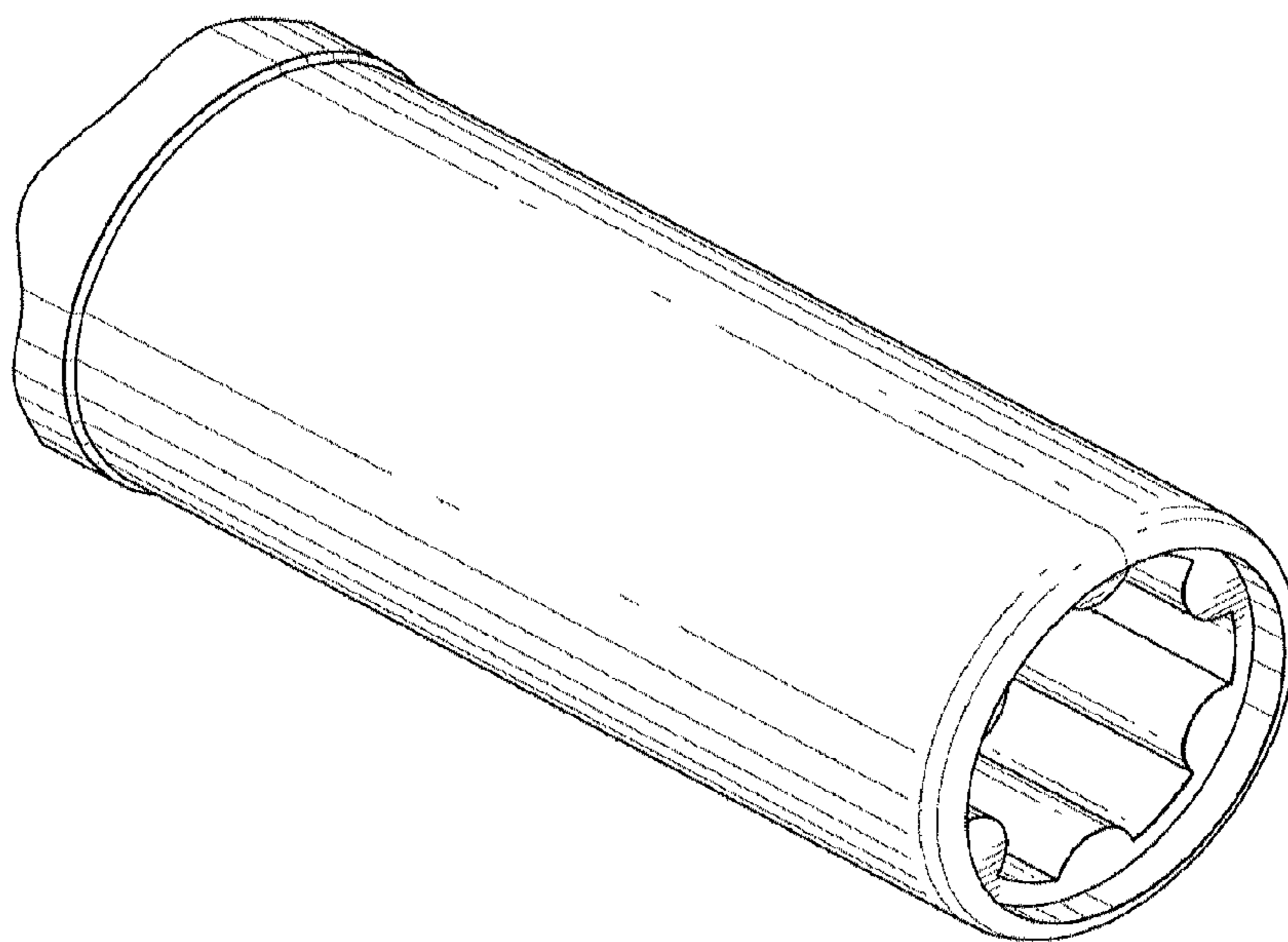


FIG. 8