



US00D675495S

(12) **United States Design Patent**
Berggren

(10) **Patent No.:** **US D675,495 S**

(45) **Date of Patent:** **** Feb. 5, 2013**

(54) **TOOL FOR FINDING COVERED SCREWS**

(75) **Inventor:** **Jimmy Berggren**, Falun (SE)

(73) **Assignee:** **Screwfinder Sweden AB**, Solna (SE)

(**) **Term:** **14 Years**

(21) **Appl. No.:** **29/413,052**

(22) **Filed:** **Feb. 10, 2012**

(51) **LOC (9) Cl.** **08-05**

(52) **U.S. Cl.** **D8/14**

(58) **Field of Classification Search** D8/14,
D8/47, 51; D3/211.27, 271.1; D22/116;
30/358, 367; 81/44, 63; 102/439, 513
See application file for complete search history.

(56) **References Cited**

U.S. PATENT DOCUMENTS

783,749	A *	2/1905	Hartley et al.	30/367
1,589,127	A *	6/1926	Deveault	30/358
2,432,176	A *	12/1947	Schubring	30/358
D156,228	S *	11/1949	Gaudriot	D3/208
3,900,058	A *	8/1975	McArdle	81/463
4,355,466	A *	10/1982	Quiring	30/358
D319,562	S *	9/1991	Ballard	D8/29
5,381,319	A *	1/1995	Shiao	362/120
D371,302	S *	7/1996	Spirer	D8/47

D371,944	S *	7/1996	Spirer	D8/14
D374,802	S *	10/1996	Spirer et al.	D8/51
D377,745	S *	2/1997	Laun	D8/107
D397,006	S *	8/1998	Coleman et al.	D8/14
D457,404	S *	5/2002	Jialin	D8/14
2011/0203417	A1 *	8/2011	Hill, III	81/44

OTHER PUBLICATIONS

Screwfinder. Snagged Sep. 6, 2012 at <http://www.screwfinder.se/Screwfinder%20eng.pdf>.*

* cited by examiner

Primary Examiner — Philip S Hyder

Assistant Examiner — Roselynn Cody

(74) *Attorney, Agent, or Firm* — Nixon & Vanderhye P.C.

(57) **CLAIM**

The ornamental design for a tool for finding covered screws, as shown and described.

DESCRIPTION

FIG. 1 is a perspective view of a tool for finding covered screws;

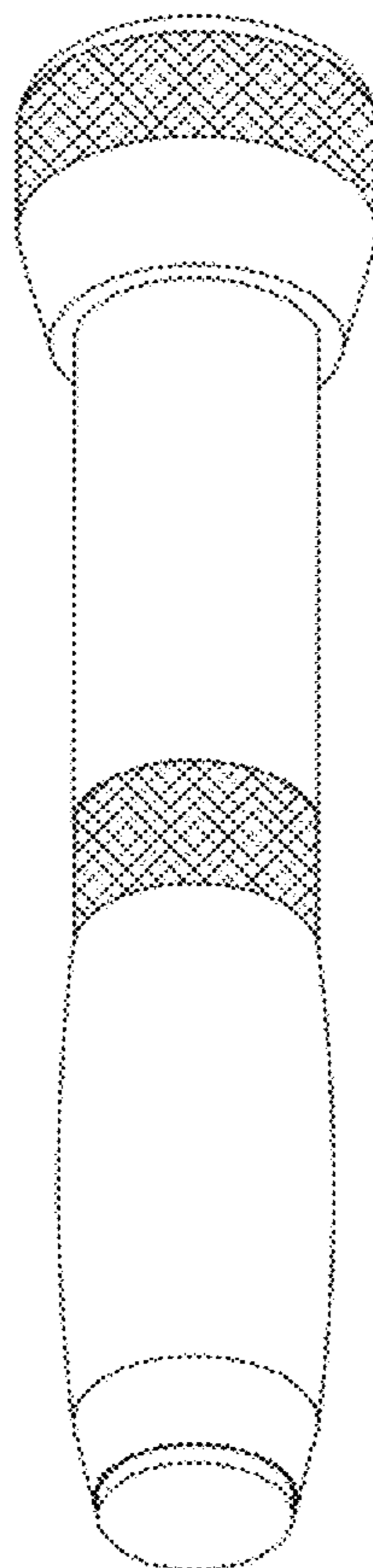
FIG. 2 is a side view thereof;

FIG. 3 is an alternative perspective view thereof;

FIG. 4 is a bottom view thereof; and,

FIG. 5 is a top view thereof.

1 Claim, 4 Drawing Sheets



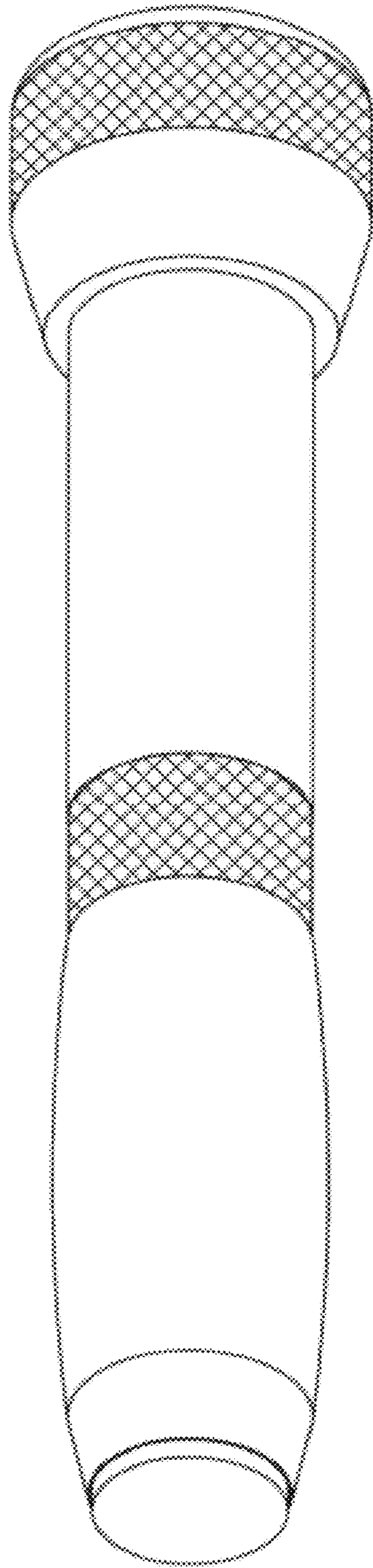


FIG. 1

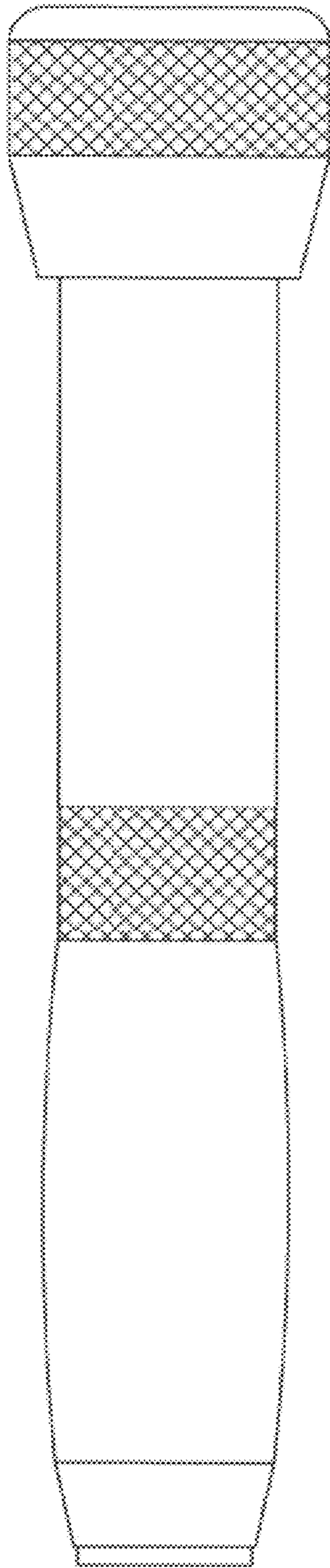


FIG. 2

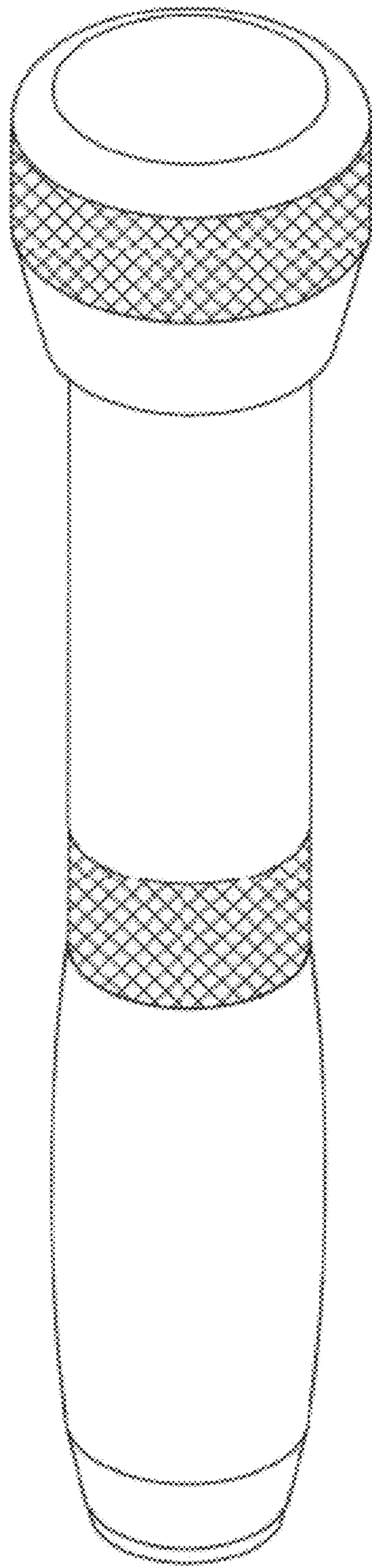


FIG. 3

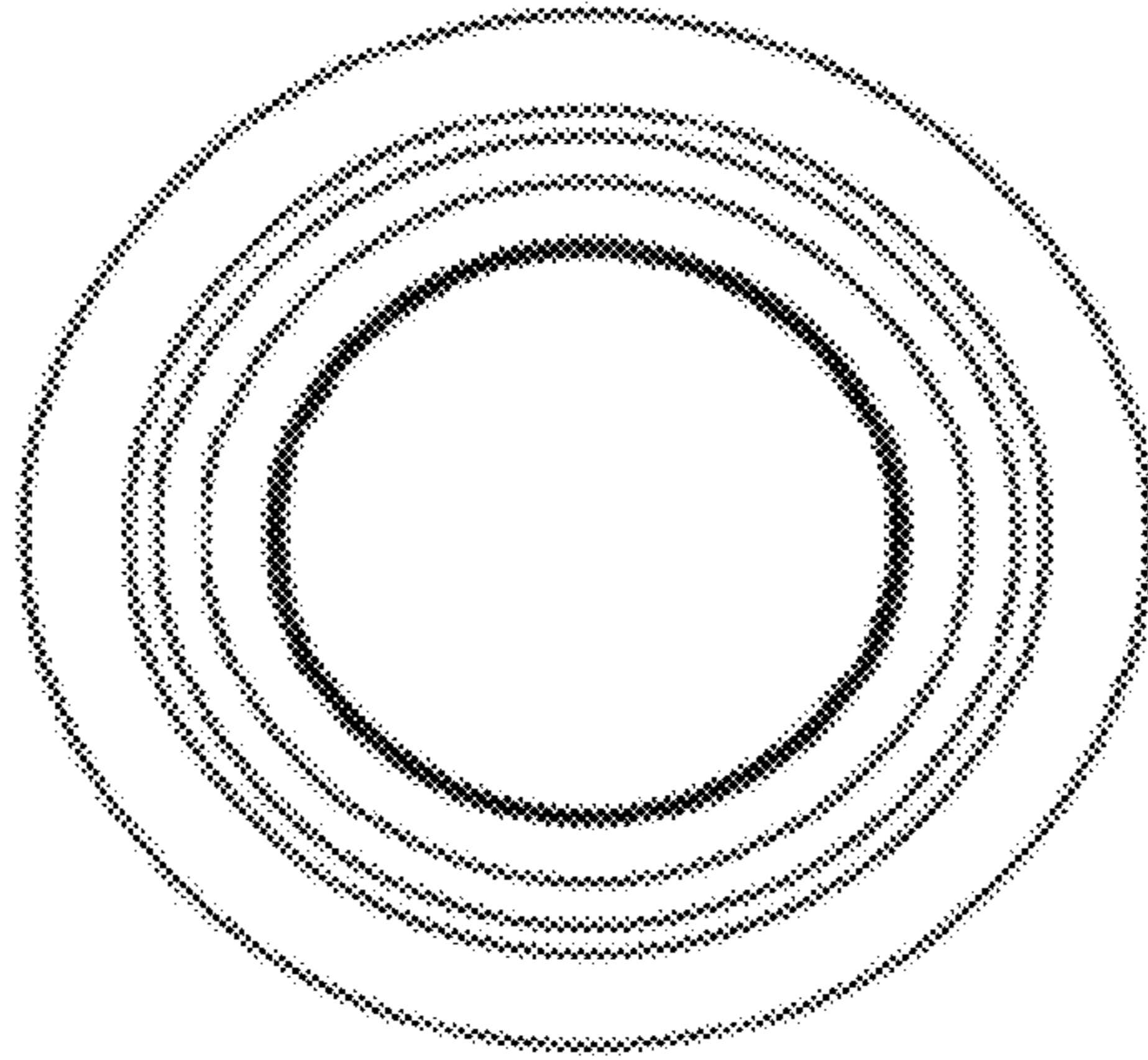


FIG. 4

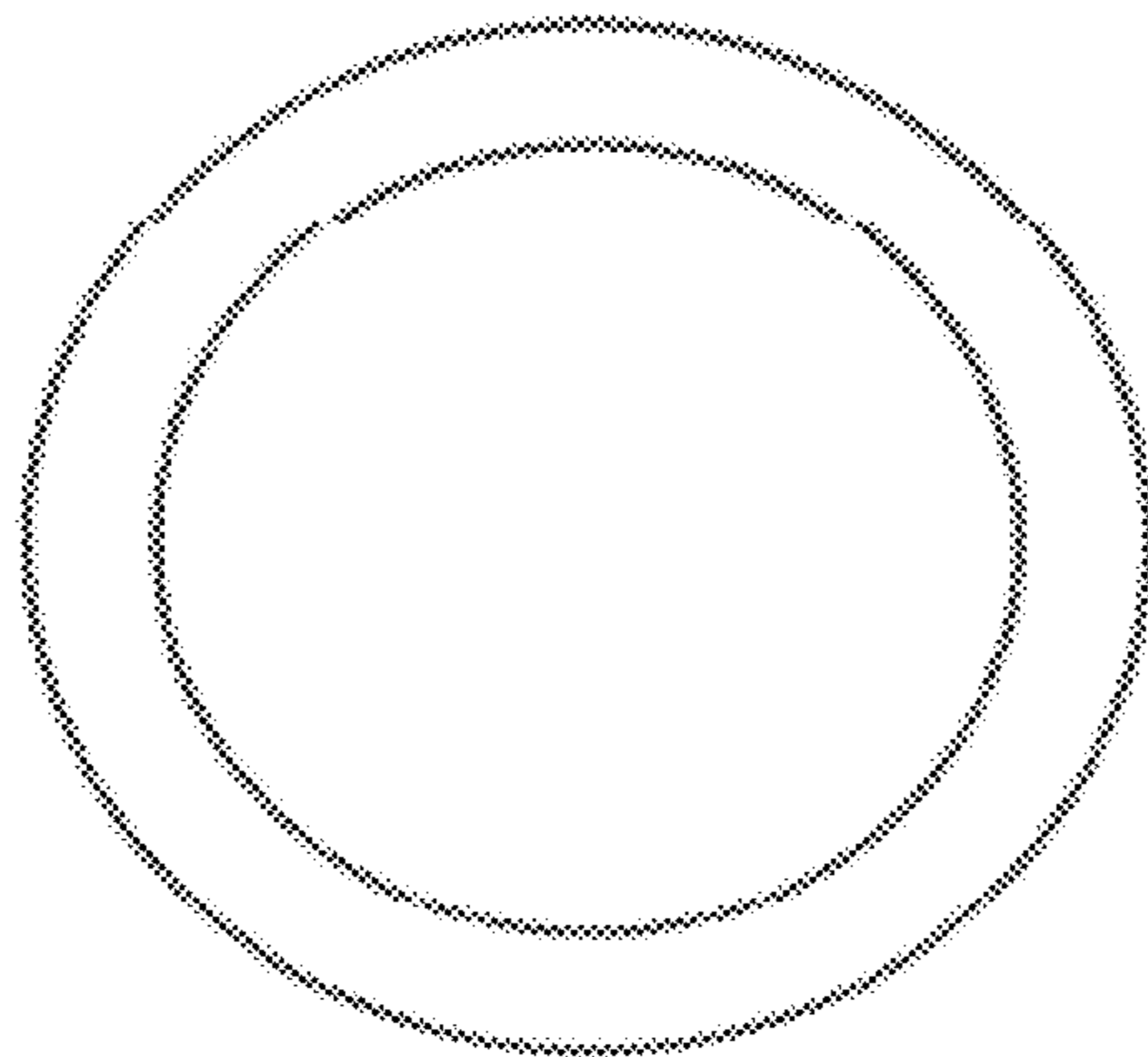


FIG. 5