



US00D675493S

(12) **United States Design Patent**
Cieśła

(10) **Patent No.:** **US D675,493 S**

(45) **Date of Patent:** **** Feb. 5, 2013**

(54) **HAND SHOVEL**

(76) Inventor: **Sebastian Cieśła, Zabrze (PL)**

(**) Term: **14 Years**

(21) Appl. No.: **29/375,847**

(22) Filed: **Sep. 28, 2010**

(30) **Foreign Application Priority Data**

May 4, 2010 (EM) 001704156-0001

(51) **LOC (9) Cl.** **08-01**

(52) **U.S. Cl.** **D8/10; D32/74**

(58) **Field of Classification Search** D8/10;
D32/74, 41; 15/257.1–257.3, 257.5; 134/6;
294/49, 51, 54.5, 55

See application file for complete search history.

(56) **References Cited**

U.S. PATENT DOCUMENTS

D427,739	S *	7/2000	Demore	D32/74
D441,159	S *	4/2001	Cann	D32/74
D466,262	S *	11/2002	Chemtob	D32/74
6,698,058	B2 *	3/2004	Cann	15/257.1
D508,760	S *	8/2005	Berti	D32/74
7,171,719	B1 *	2/2007	Harrelson	15/257.3

7,546,989	B1 *	6/2009	Lineberry et al.	248/99
D600,984	S *	9/2009	Wong et al.	D8/10
D630,401	S *	1/2011	Libman et al.	D32/74
D630,403	S *	1/2011	Raven	D32/74

* cited by examiner

Primary Examiner — Sheryl Lane

(74) *Attorney, Agent, or Firm* — McDonnell Boehnen Hulbert & Berghoff LLP

(57) **CLAIM**

The ornamental design for a hand shovel, as shown and described.

DESCRIPTION

FIG. 1 is a perspective view of the hand shovel showing the new design;

FIG. 2 is a front view thereof;

FIG. 3 is a rear view thereof;

FIG. 4 is a right side view thereof;

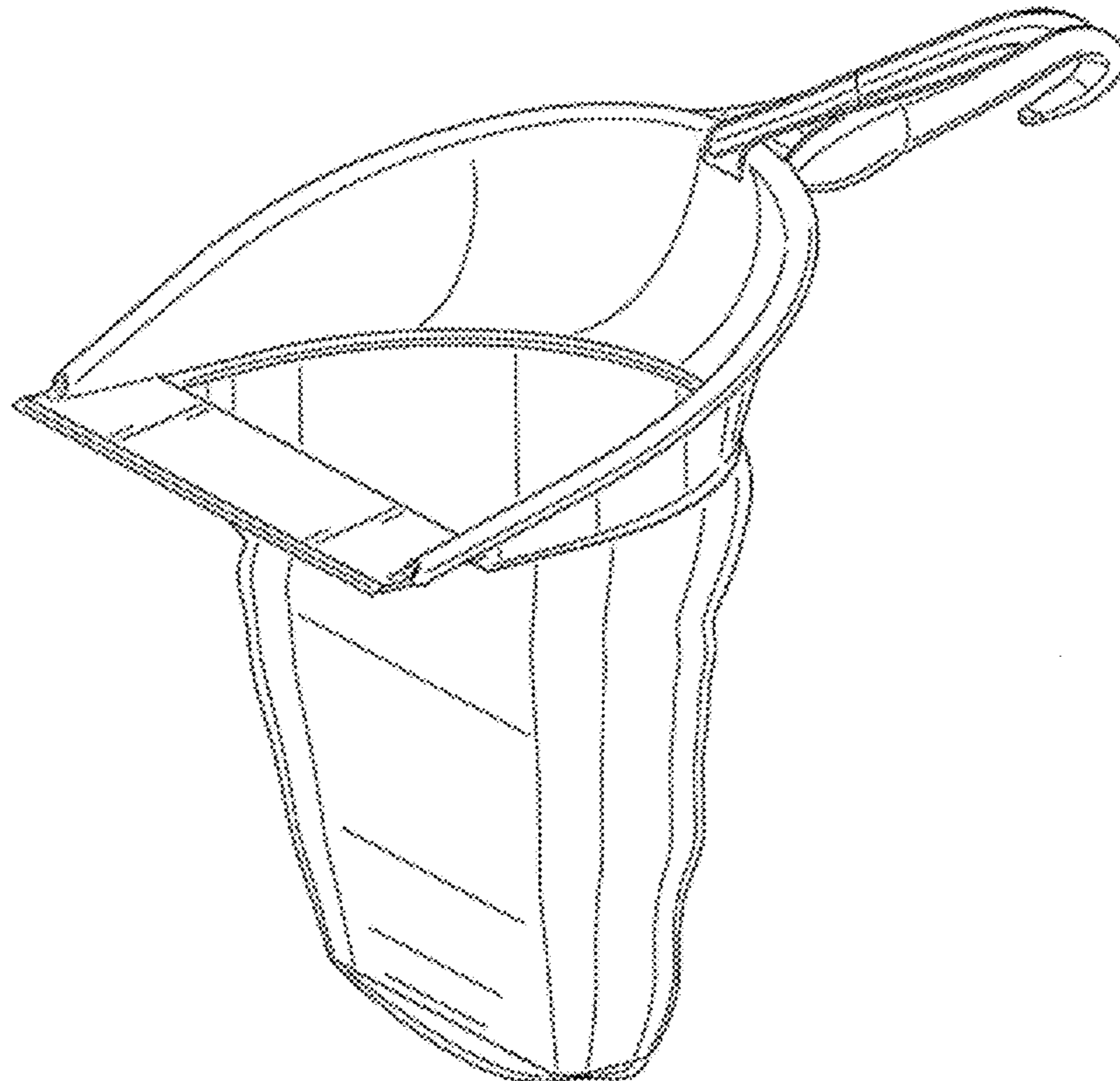
FIG. 5 is a left side view thereof;

FIG. 6 is a top view thereof; and,

FIG. 7 is a bottom view thereof.

The collection portion of the shovel consists of a flexible material and may appear in a slightly modified orientation throughout the views.

1 Claim, 7 Drawing Sheets



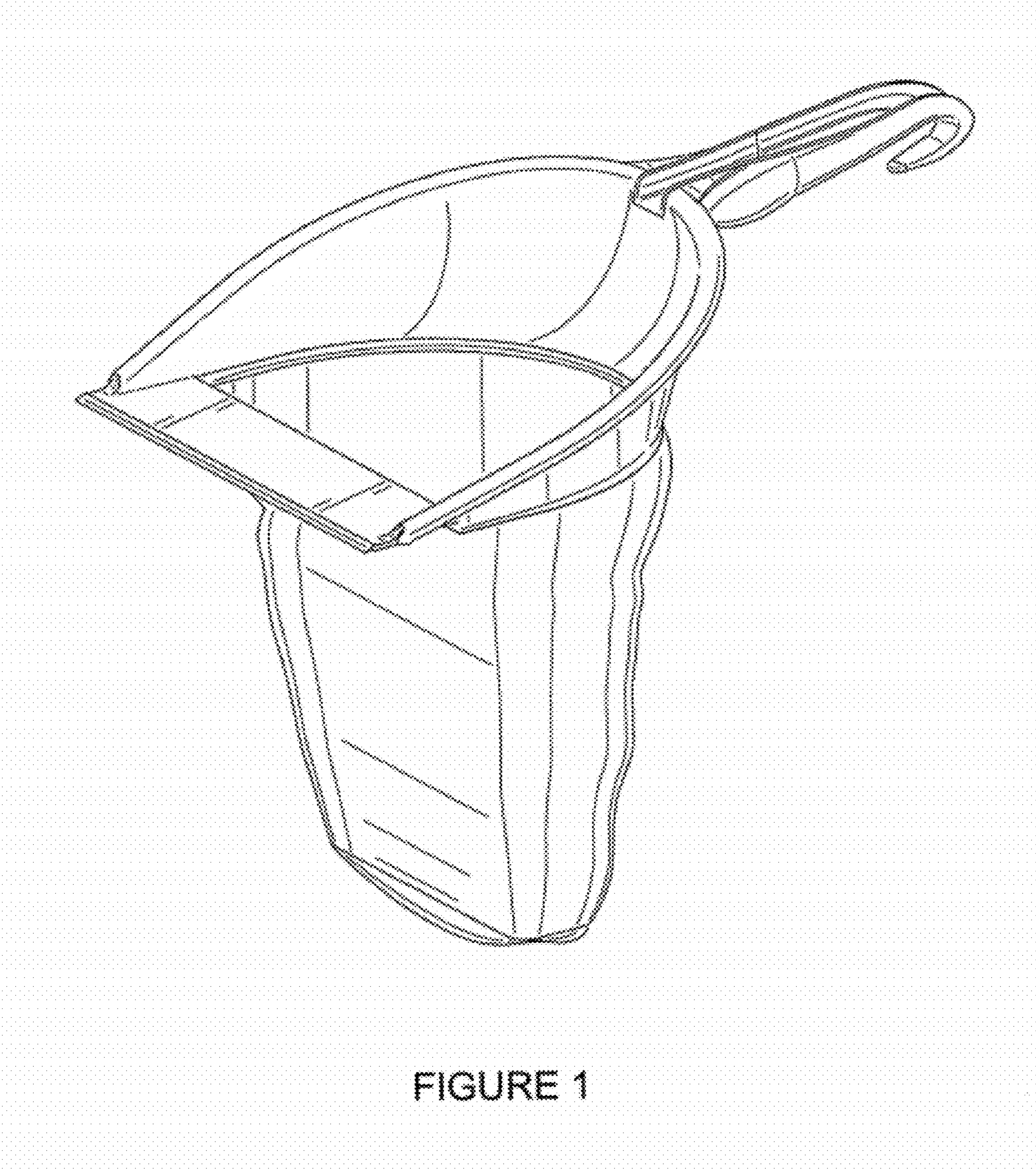


FIGURE 1

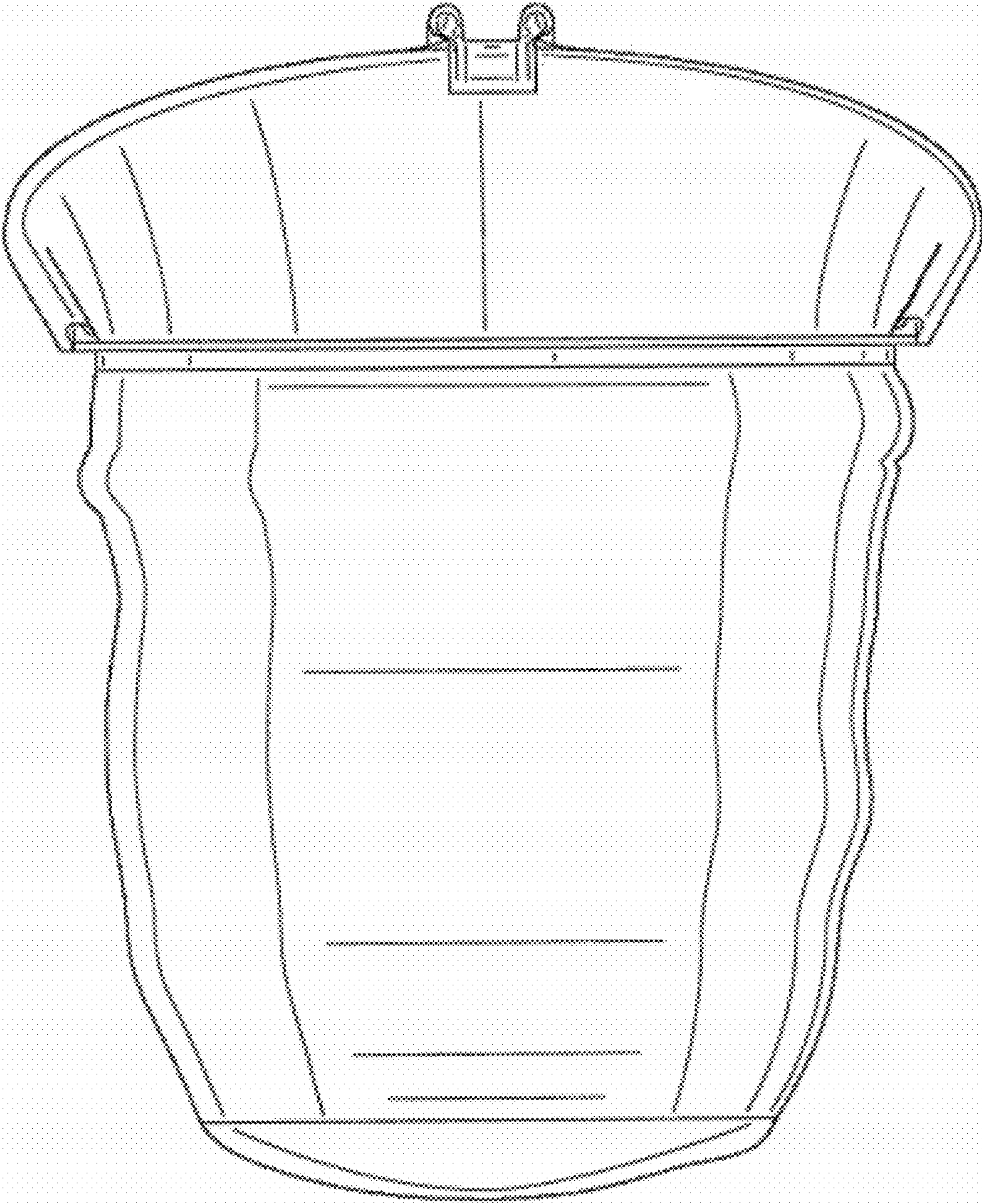


FIGURE 2

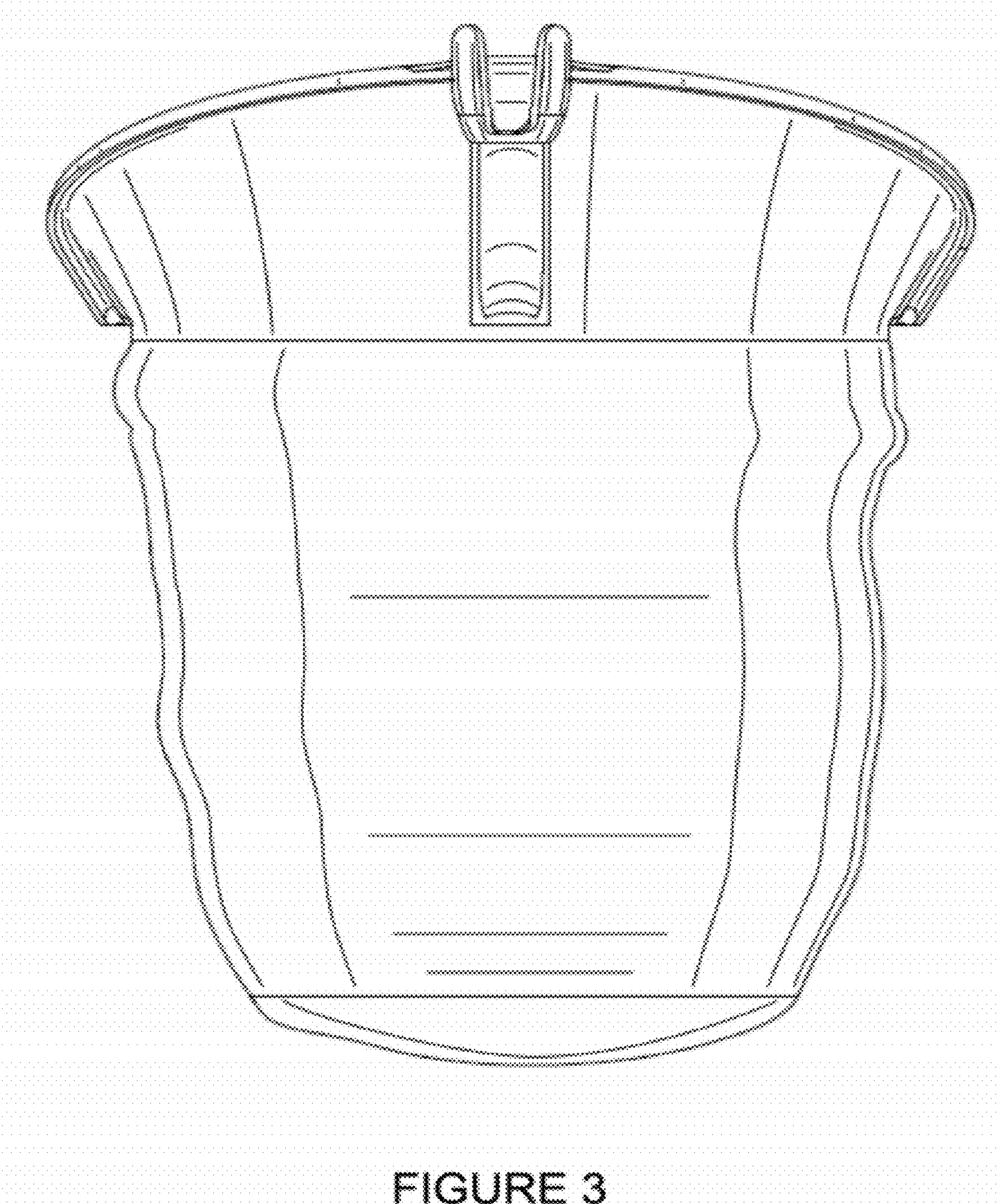


FIGURE 3

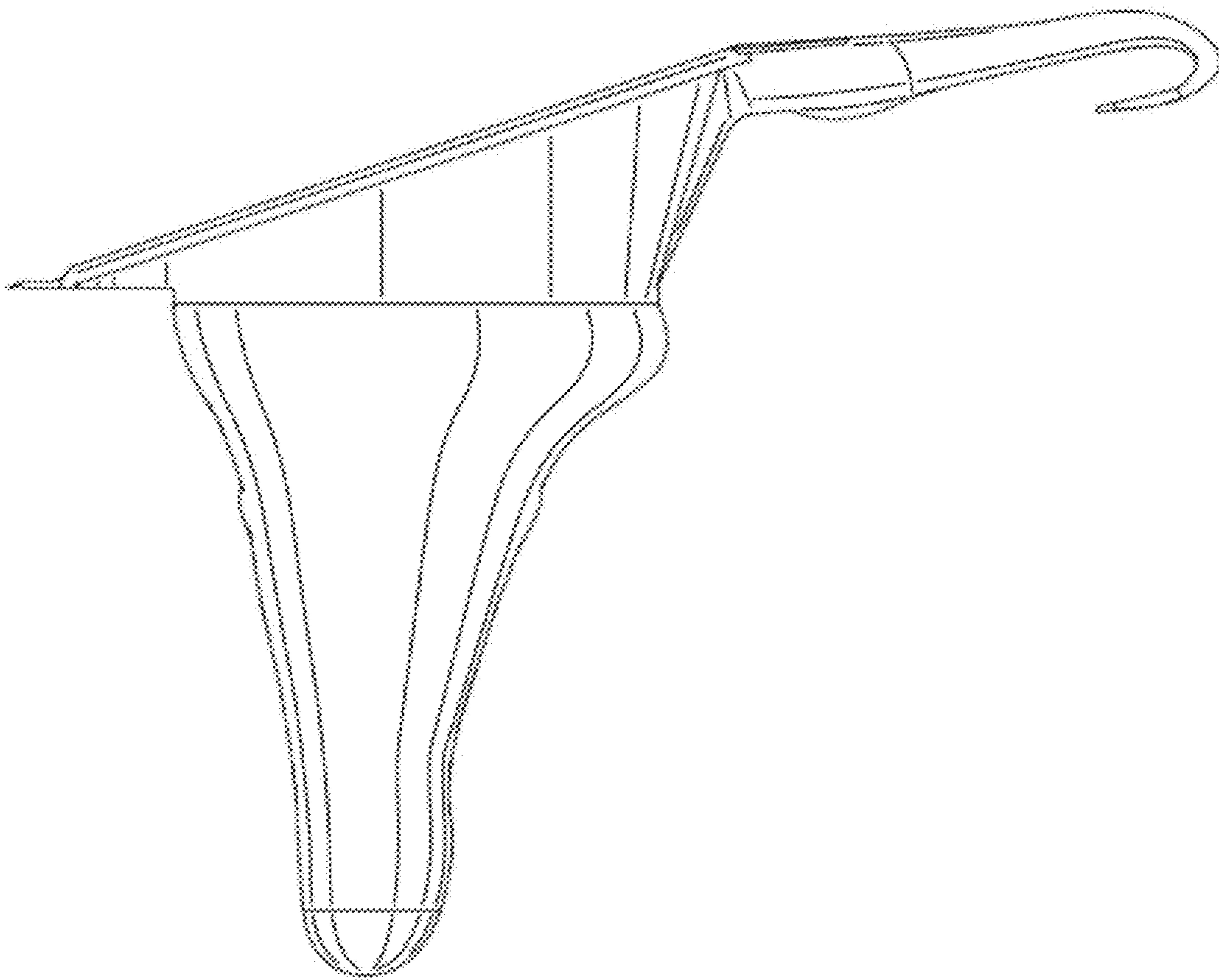


FIGURE 4

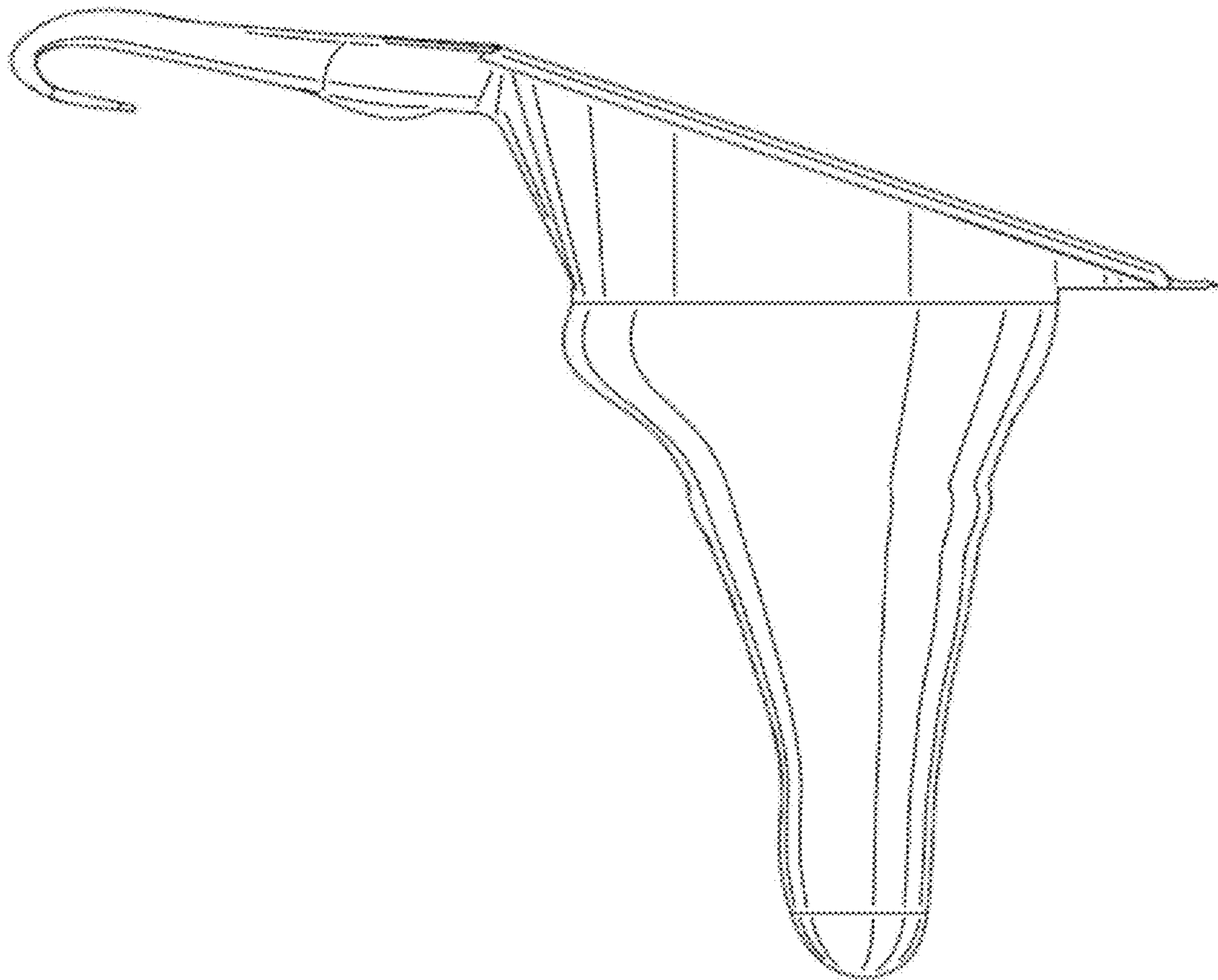


FIGURE 5

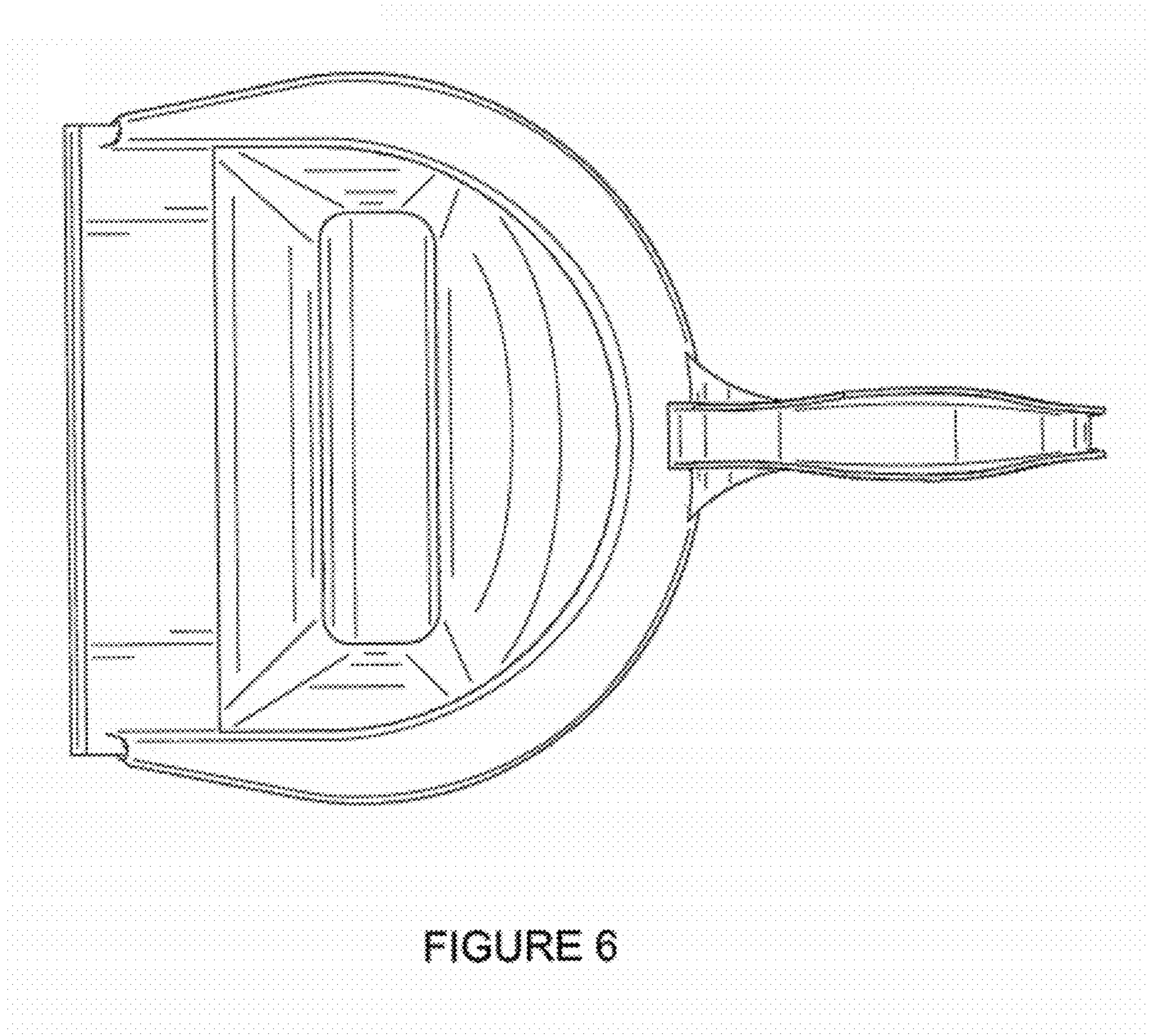


FIGURE 6

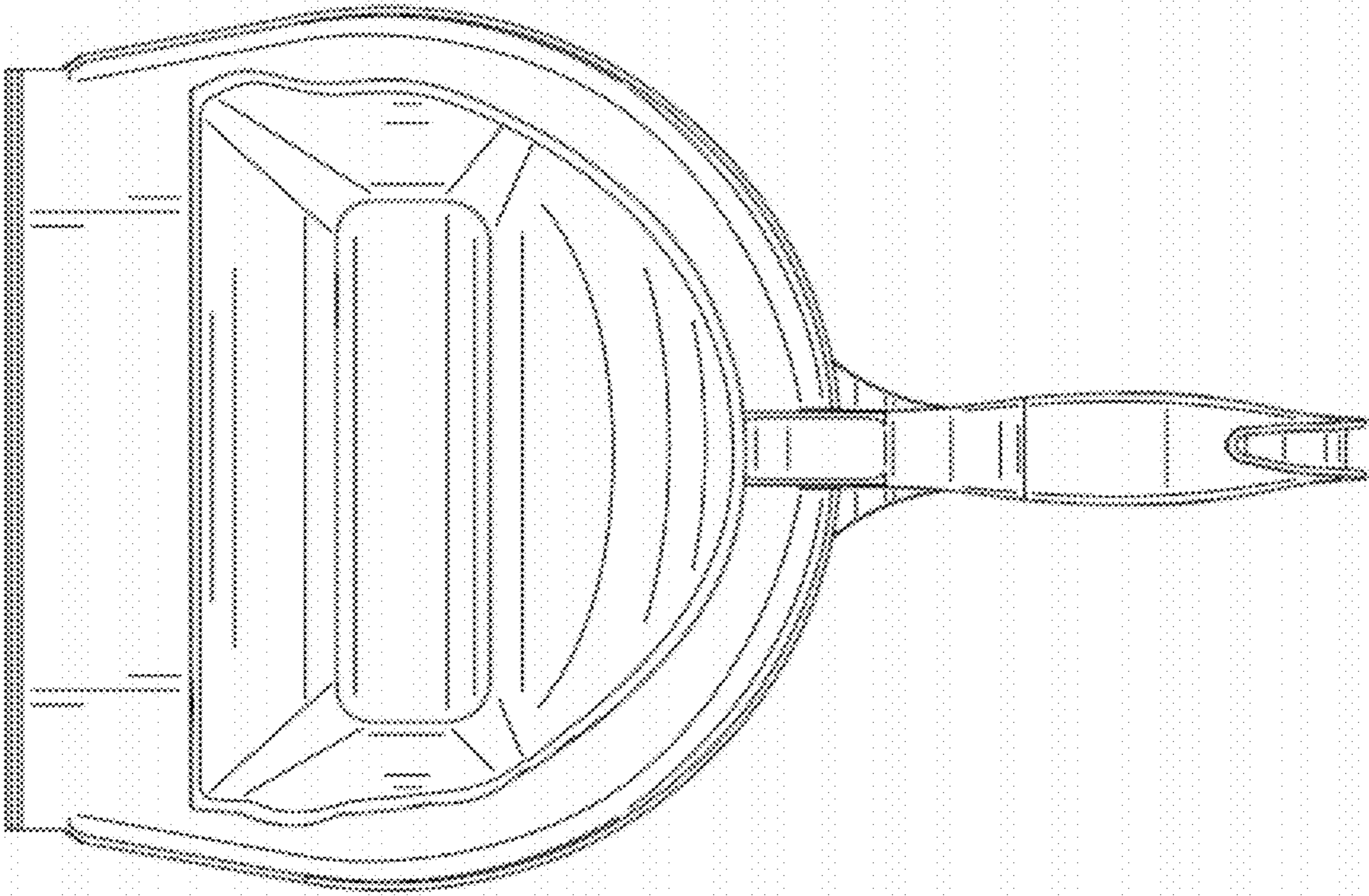


FIGURE 7