



US00D675489S

(12) **United States Design Patent**
Albornoz et al.

(10) **Patent No.:** **US D675,489 S**

(45) **Date of Patent:** **** Feb. 5, 2013**

(54) **FOOD AND DRINK TRAY**

(75) Inventors: **Miguel Albornoz**, Sunny Isles Beach, FL (US); **Alfonso J. Rincon**, Miami, FL (US); **Marco Mantilla Diaz**, Miami, FL (US)

(73) Assignee: **Miguel Albornoz**, Sunny Isles Beach, FL (US)

(**) Term: **14 Years**

(21) Appl. No.: **29/385,009**

(22) Filed: **Feb. 7, 2011**

(51) **LOC (9) Cl.** **07-06**

(52) **U.S. Cl.** **D7/701**

(58) **Field of Classification Search** D7/500,
D7/501, 550.1, 553.1, 553.2, 554.3, 555,
D7/558, 601, 602, 701, 702, 703, 704, 396.1,
D7/600.1-600.4; D24/227, 228, 229, 230;
211/60.1, 70.1, 71.01, 70.6, 70.7, 74; 206/443,
206/446; 248/311.2, 309.1

See application file for complete search history.

(56) **References Cited**

U.S. PATENT DOCUMENTS

2,982,420 A * 5/1961 Wannemacher 211/74
D192,672 S * 4/1962 Jenkins D24/230
D196,665 S * 10/1963 Bennett D7/701
D198,098 S * 4/1964 Kaneko D6/569
3,163,287 A * 12/1964 Barnett 224/540

D232,286 S * 8/1974 Galuten D6/438
D241,221 S * 8/1976 Cormier D7/701
D346,095 S * 4/1994 Gower D7/701
D360,214 S * 7/1995 Loudon D15/150
D414,991 S * 10/1999 Brown D7/701
D440,832 S * 4/2001 Goldsborough D7/701
D528,876 S * 9/2006 King D7/701
D587,540 S * 3/2009 Klump D7/701
D587,541 S * 3/2009 Klump D7/701
D594,293 S * 6/2009 Hassold D7/701
D608,609 S * 1/2010 Eaton D7/701
D618,074 S * 6/2010 Paetsch D7/701

* cited by examiner

Primary Examiner — Elizabeth J Oswecki

(57) **CLAIM**

The ornamental design for a food and drink tray, as shown and described.

DESCRIPTION

FIG. 1 is a top plan view of a food and drink tray showing our new design;

FIG. 2 is a front elevational view thereof;

FIG. 3 is a bottom view thereof;

FIG. 4 is a right side elevational view thereof, the left side elevational view being a mirror image thereof;

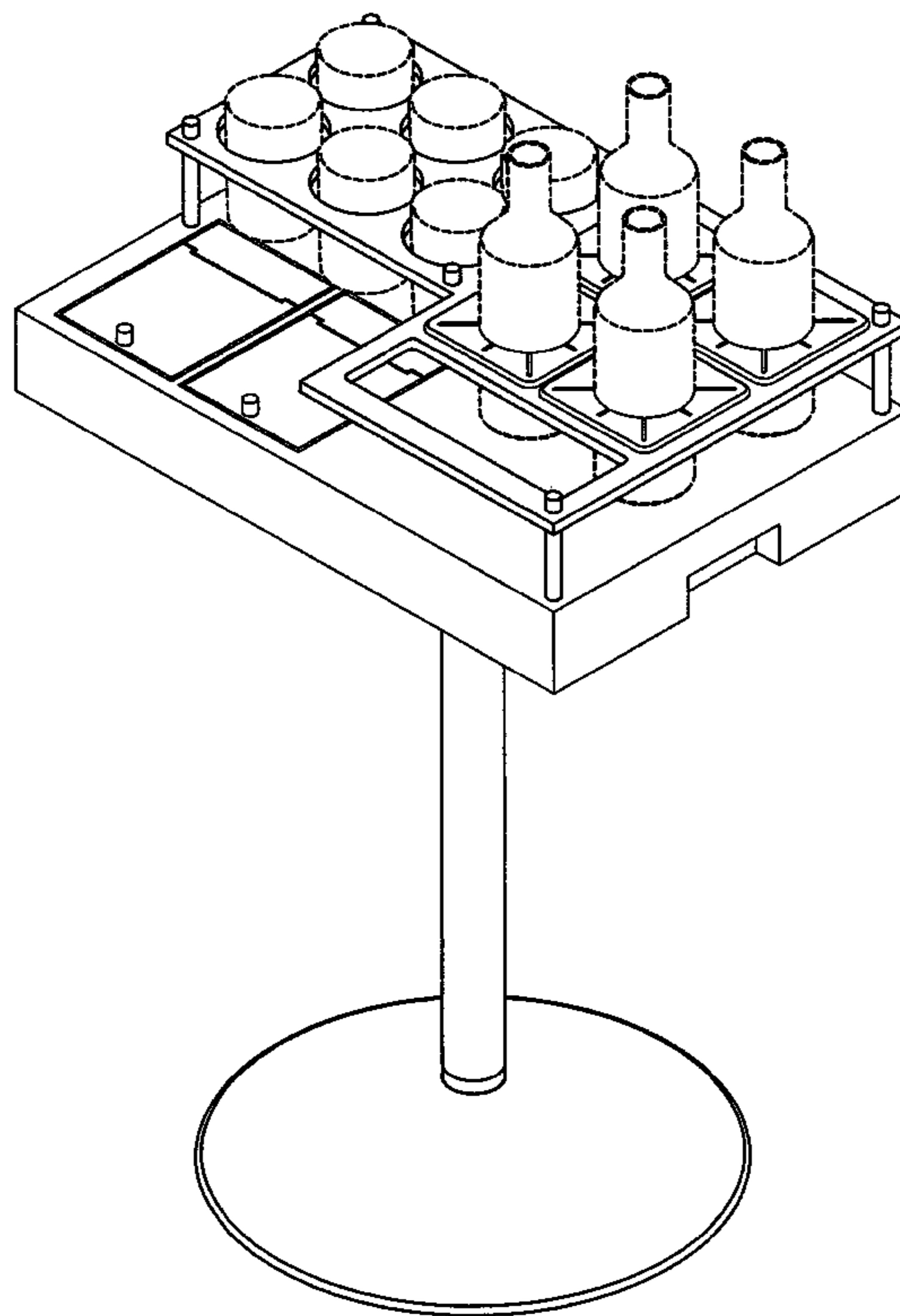
FIG. 5 is a rear elevational view thereof;

FIG. 6 is a front isometric view thereof; and,

FIG. 7 is another front isometric view shown in a used condition with bottles and drinking glasses.

The broken lines are for environmental purposes only and form no part of the claimed design.

1 Claim, 7 Drawing Sheets



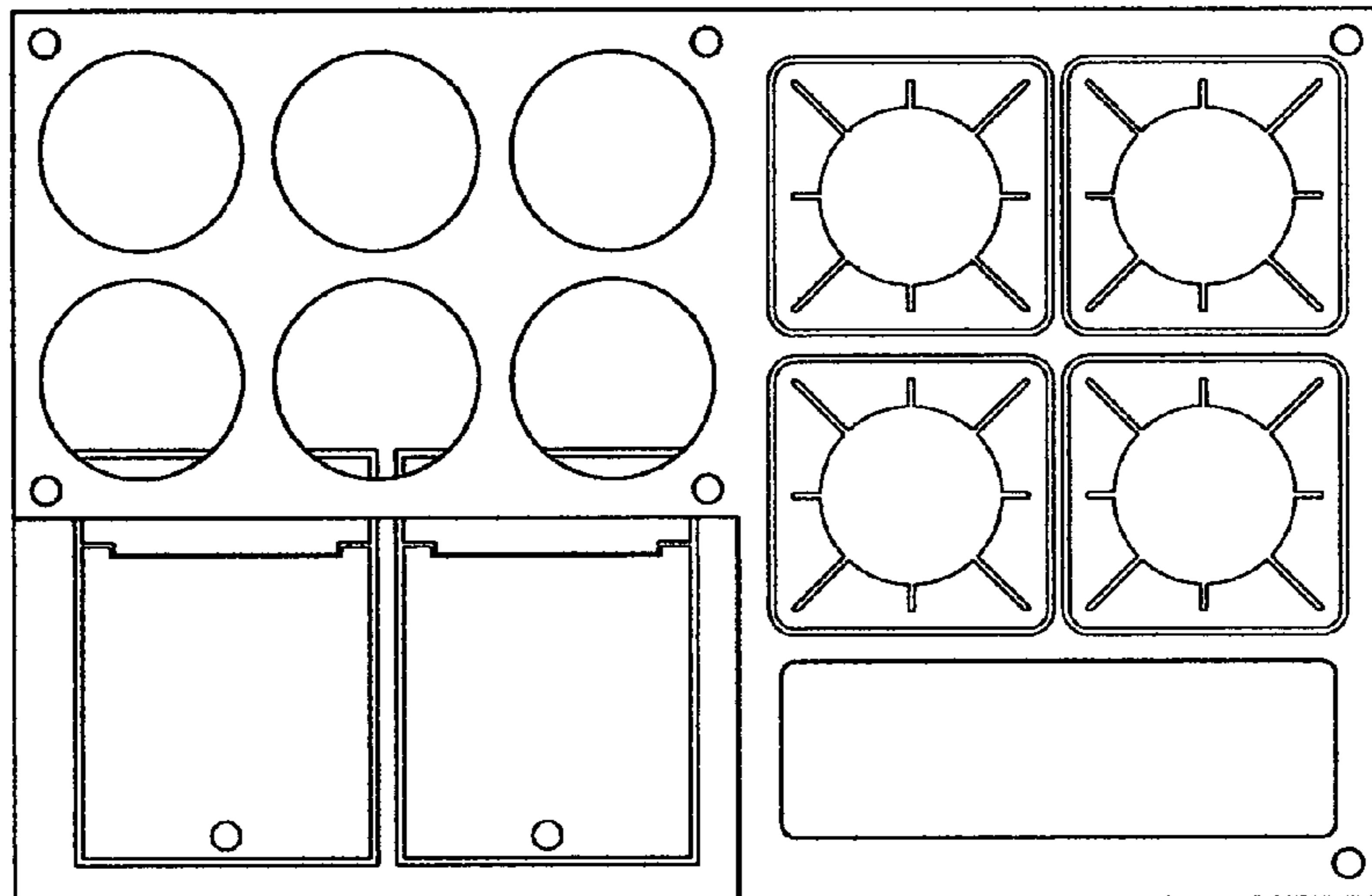


Fig. 1

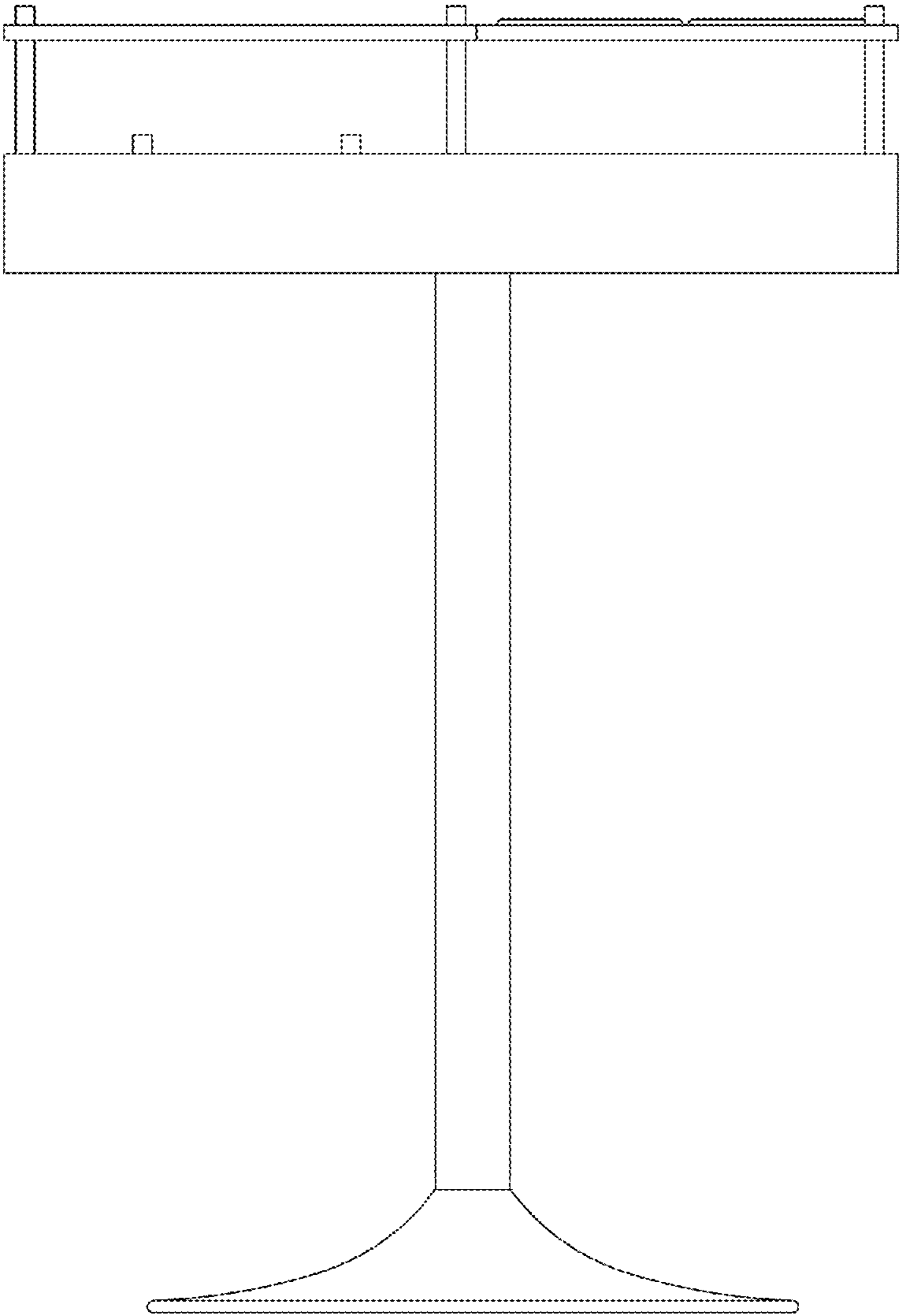


Fig. 2

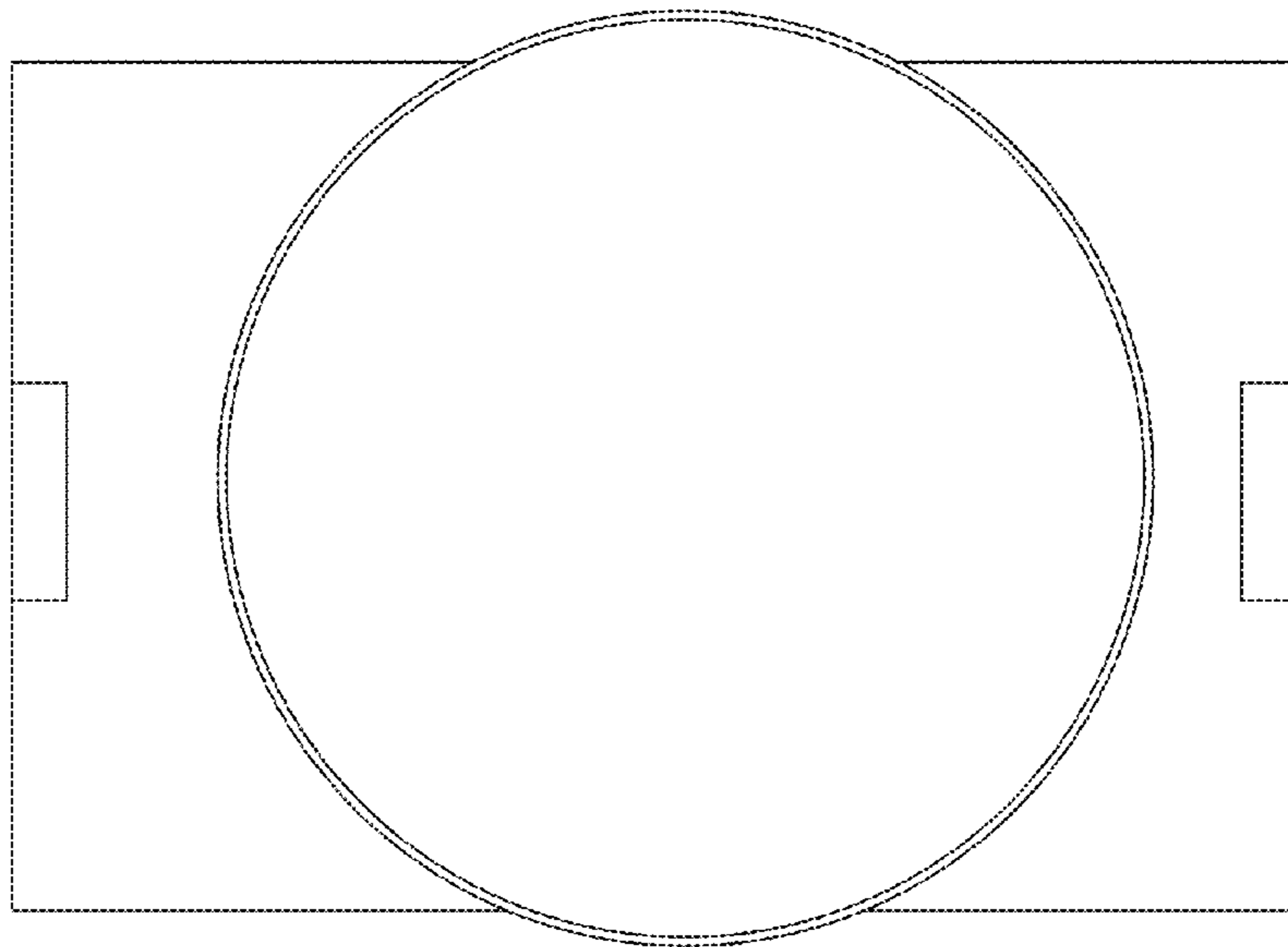


Fig. 3

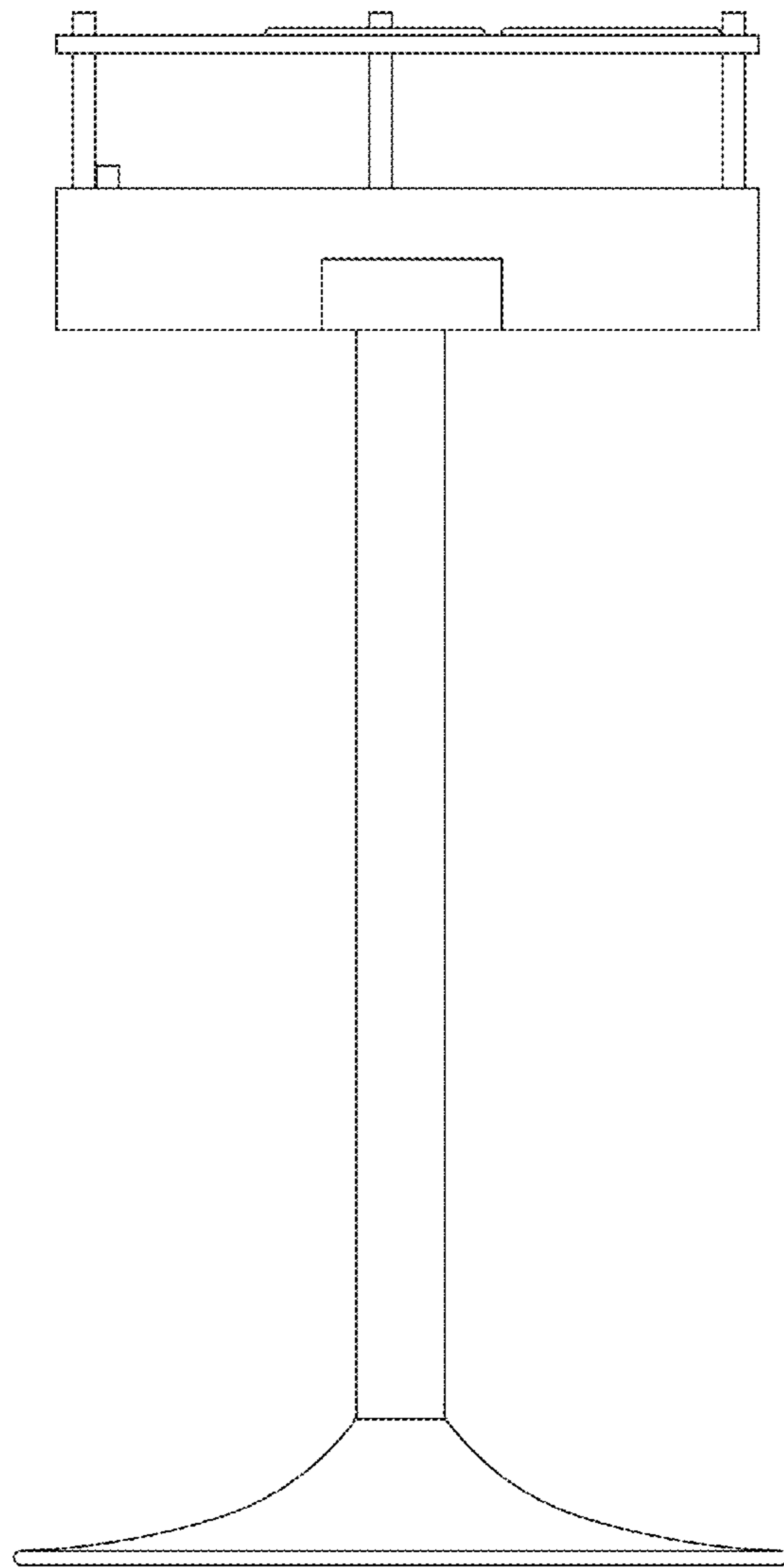


Fig. 4

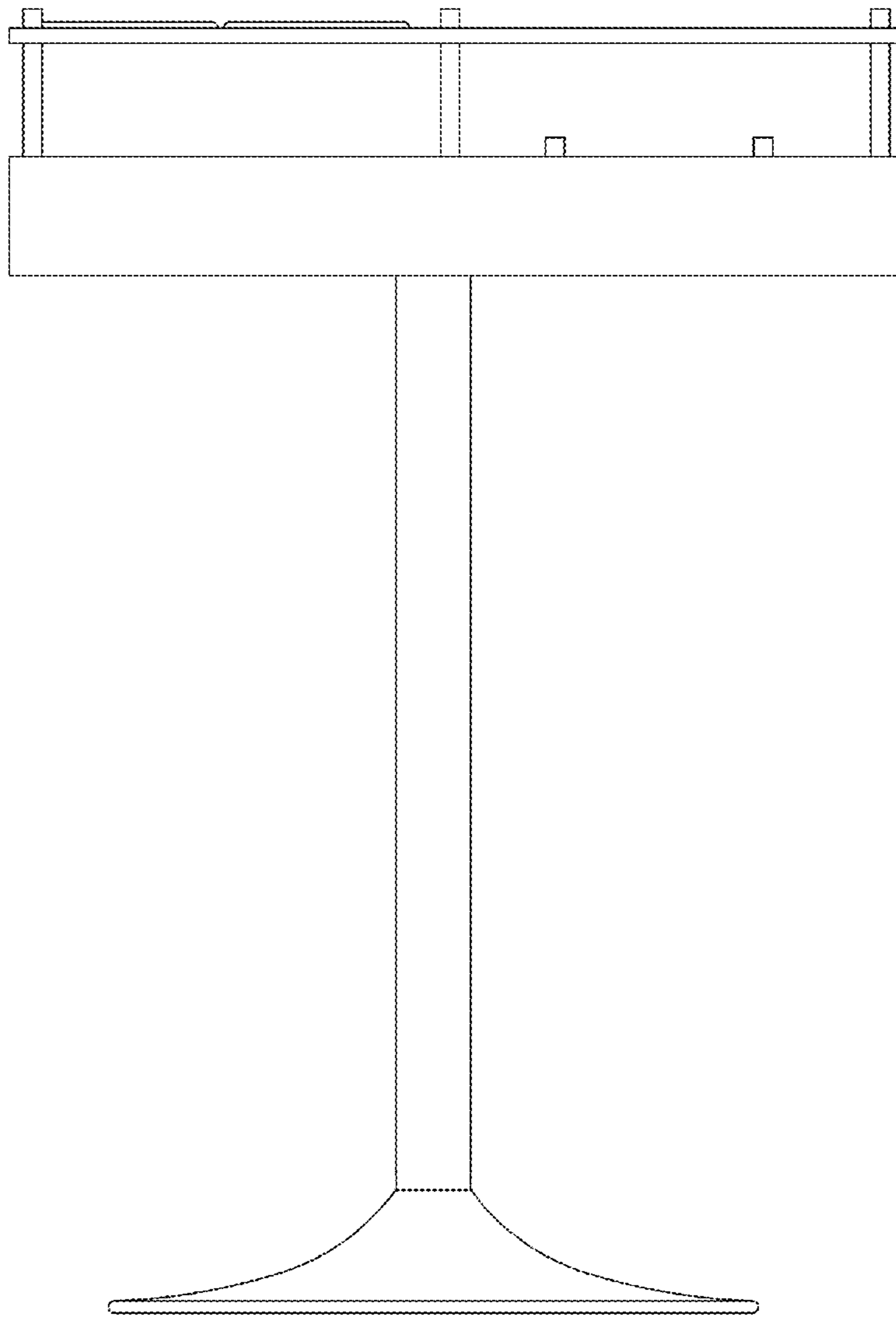


Fig. 5

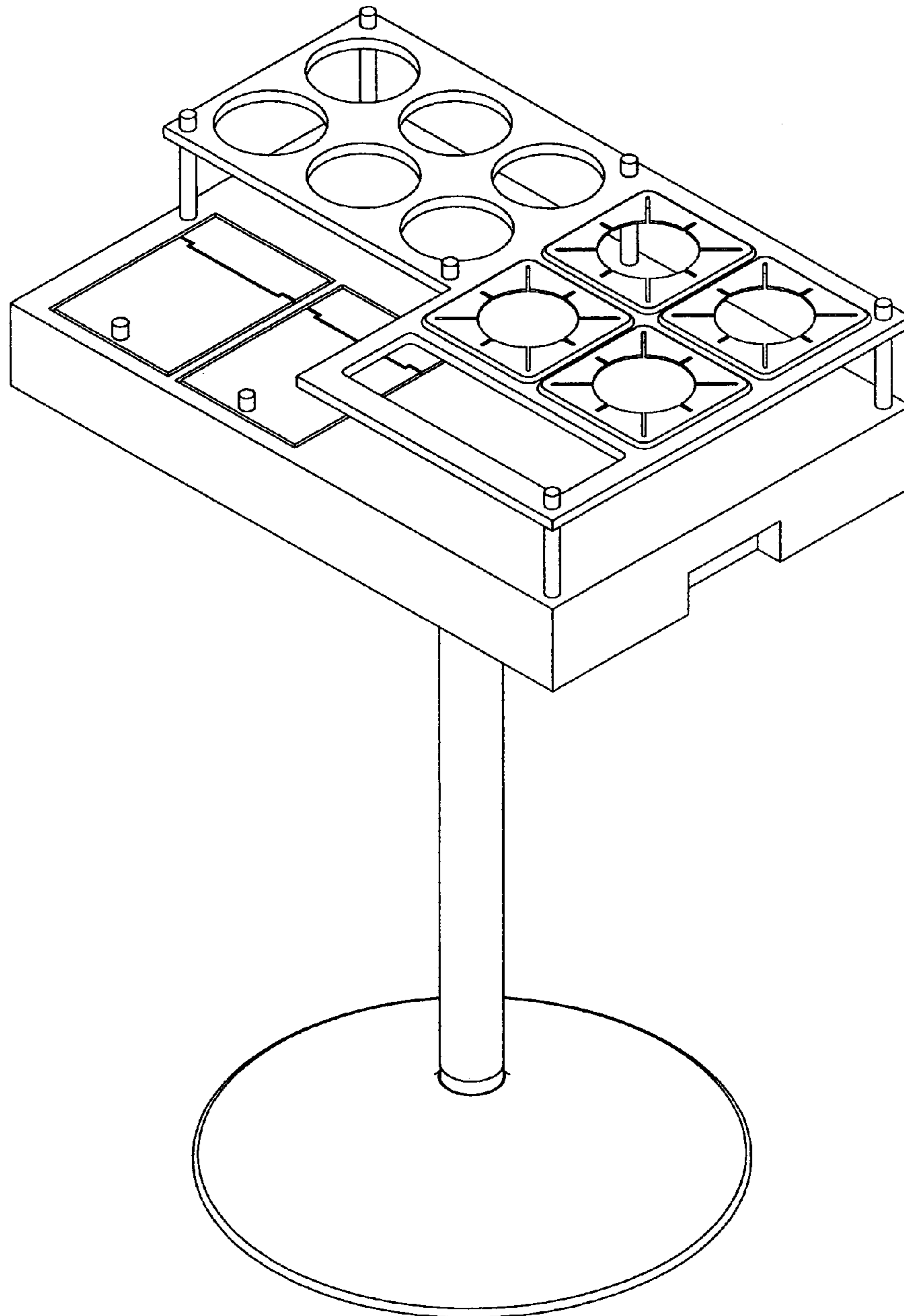


Fig. 6

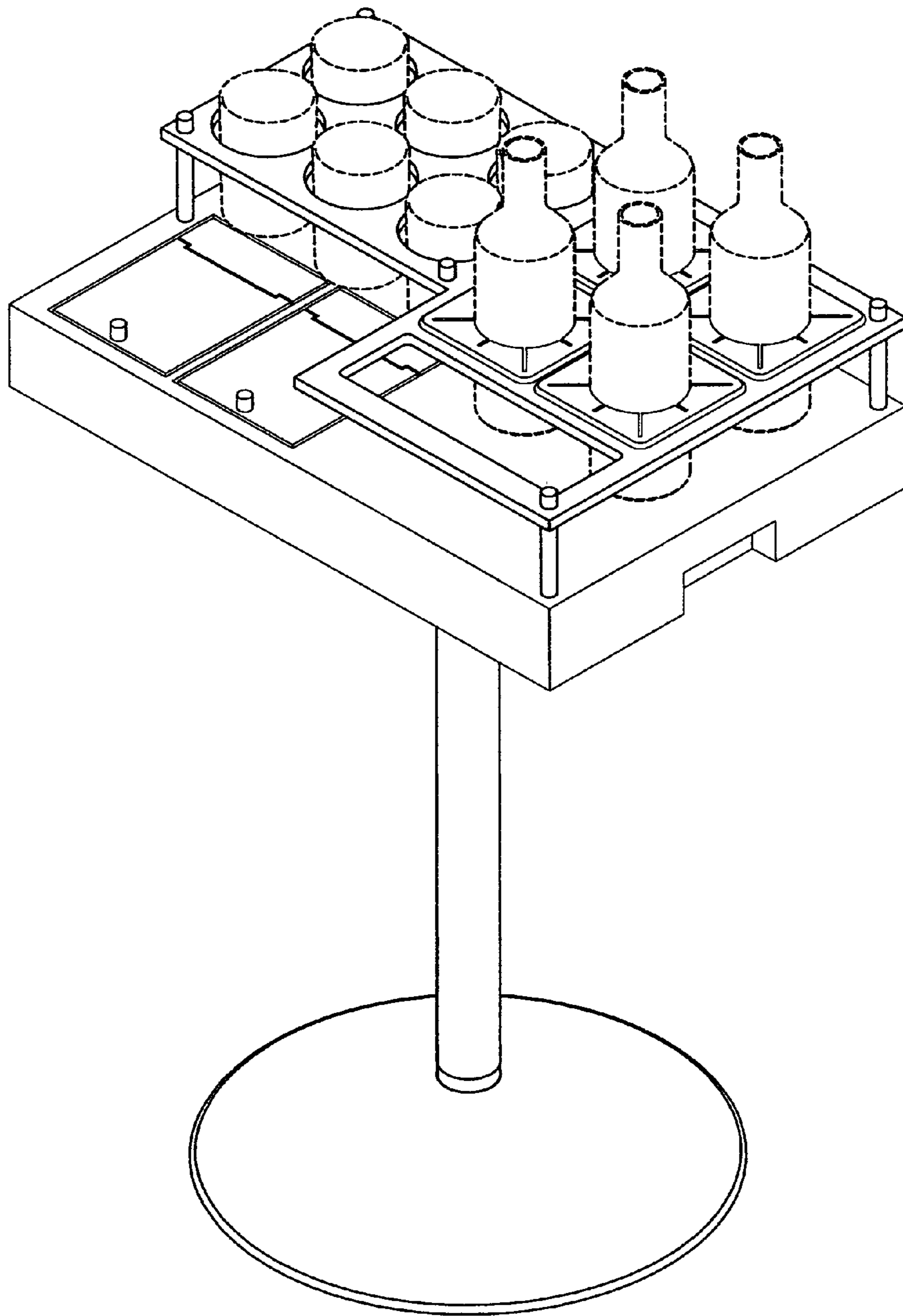


Fig. 7