



US00D675487S

(12) **United States Design Patent**
Gross et al.

(10) **Patent No.:** **US D675,487 S**

(45) **Date of Patent:** **** Feb. 5, 2013**

(54) **FOOD HANDLING TONGS**

(76) Inventors: **Mark Gross**, Downey, CA (US); **Eric Gross**, Tarzana, CA (US)

(**) Term: **14 Years**

(21) Appl. No.: **29/413,997**

(22) Filed: **Feb. 23, 2012**

(51) **LOC (9) Cl.** **07-06**

(52) **U.S. Cl.** **D7/686**

(58) **Field of Classification Search** D7/680-696,
D7/393, 395; 30/124, 136, 137, 150, 169,
30/322-328; 294/7, 8, 99.1, 99.2, 118, 119,
294/16

See application file for complete search history.

(56) **References Cited**

U.S. PATENT DOCUMENTS

4,728,139 A * 3/1988 Oretti 294/99.2
D313,537 S * 1/1991 Chisholm D7/686
D327,610 S * 7/1992 Loechel et al. D7/686

D481,915 S * 11/2003 Mezger-Boehringer D7/686
D488,032 S * 4/2004 Best et al. D7/686
D519,332 S * 4/2006 Sanchez D7/686
D541,599 S * 5/2007 Quattromani D7/688
D618,521 S * 6/2010 Jalet et al. D7/688

* cited by examiner

Primary Examiner — Terry Wallace

(74) *Attorney, Agent, or Firm* — James E. Brunton

(57) **CLAIM**

The ornamental design for “food handling tongs,” as shown.

DESCRIPTION

FIG. 1 is a front view of “food handling tongs” showing my new design;

FIG. 2 is a rear view thereof;

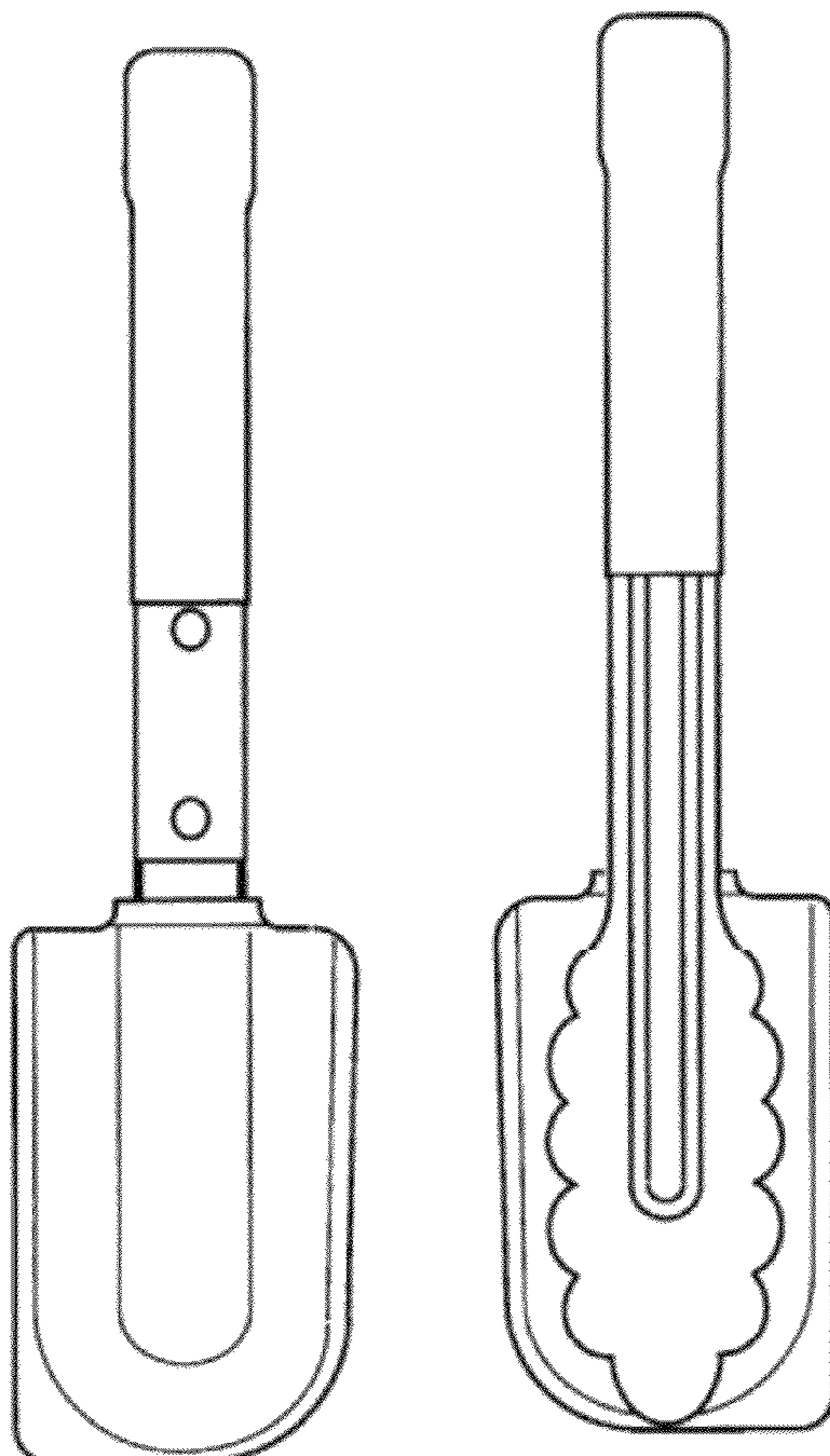
FIG. 3 is a right side view thereof;

FIG. 4 is a left side view thereof;

FIG. 5 is a top view thereof; and,

FIG. 6 is a bottom view thereof.

1 Claim, 3 Drawing Sheets



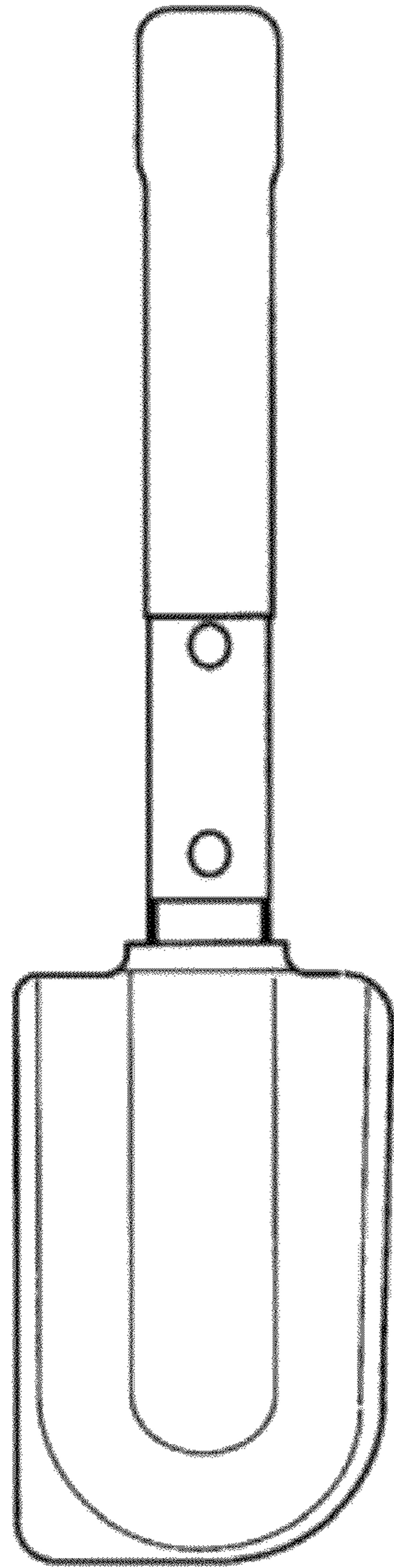


Fig. 1

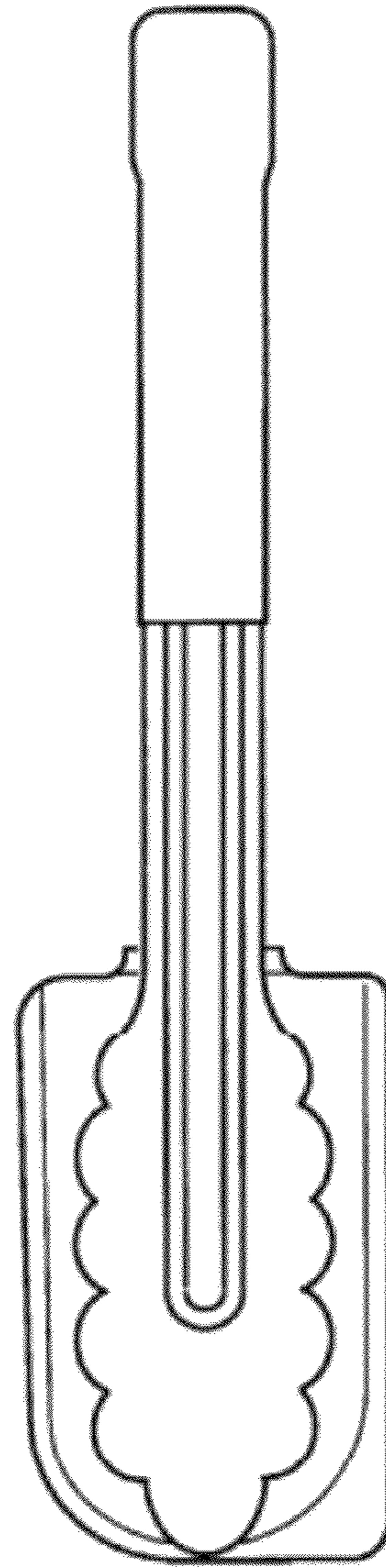


Fig. 2

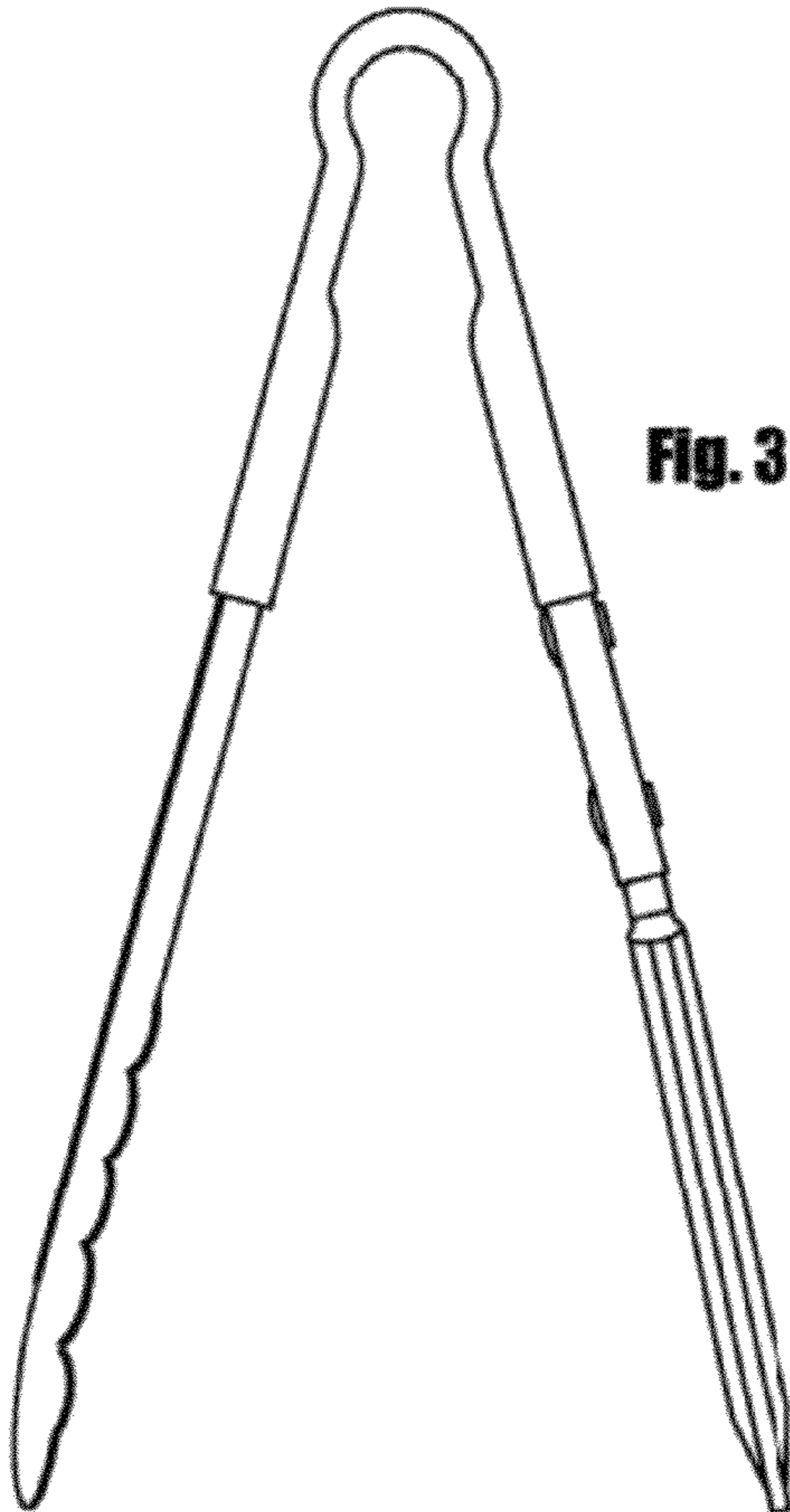


Fig. 3

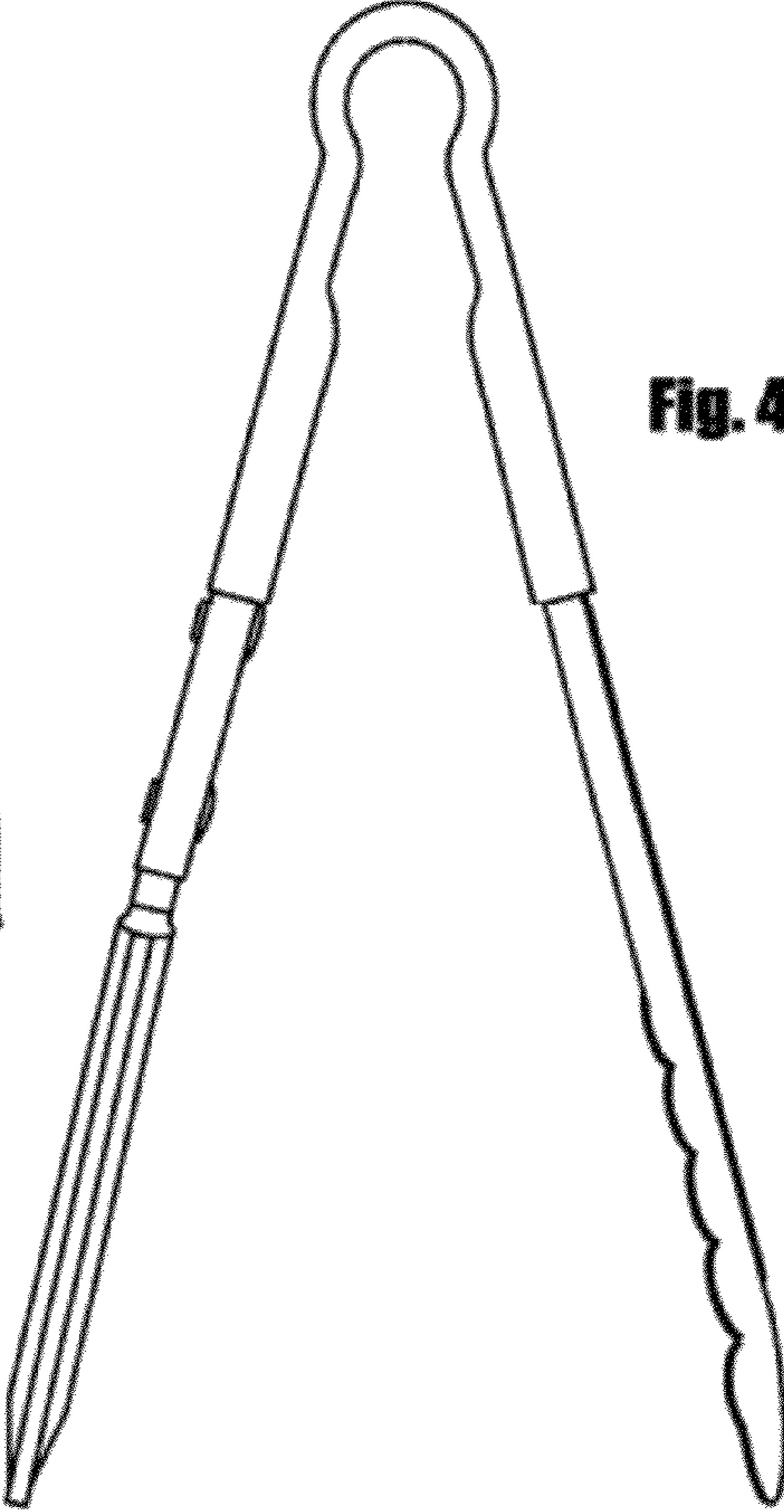


Fig. 4

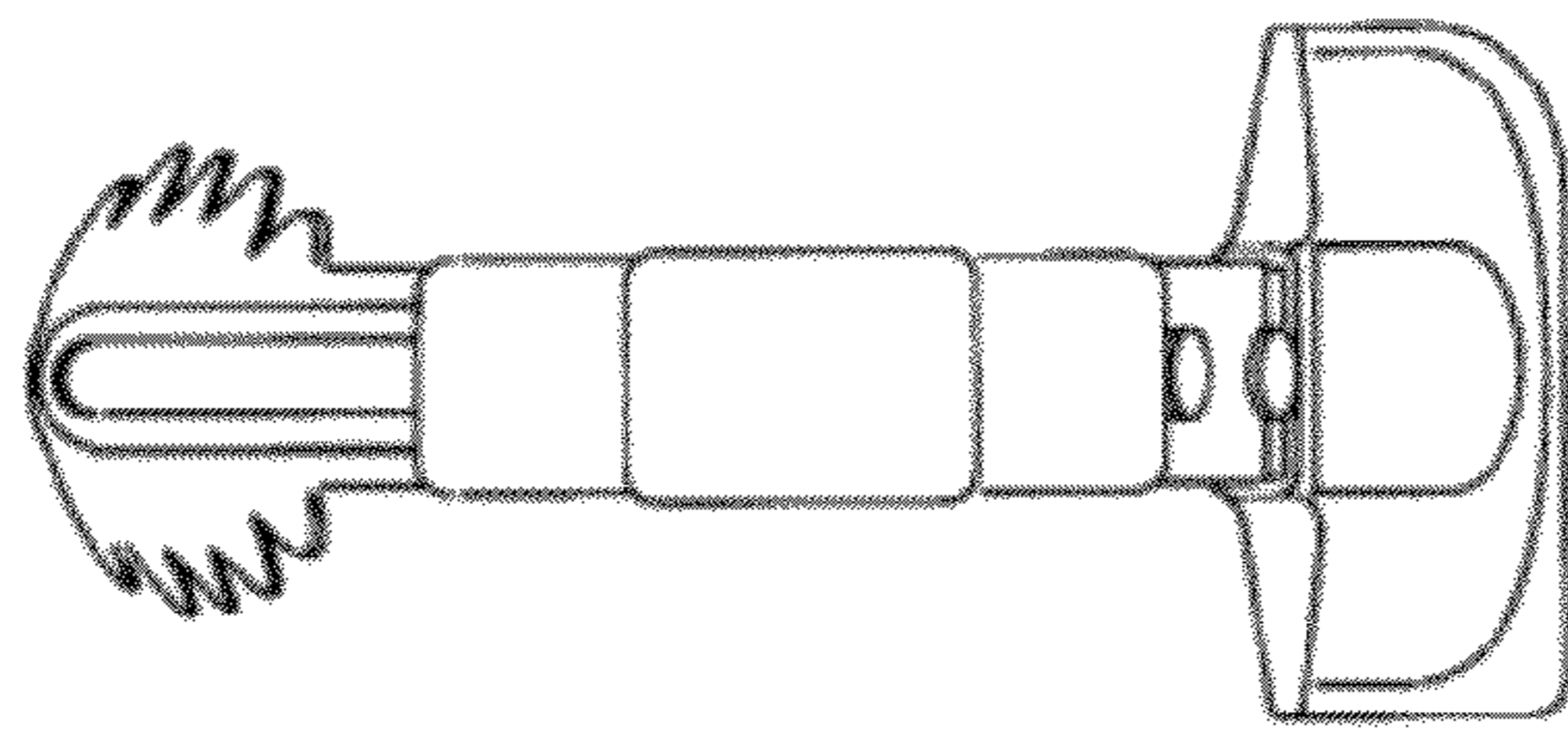


Fig. 5

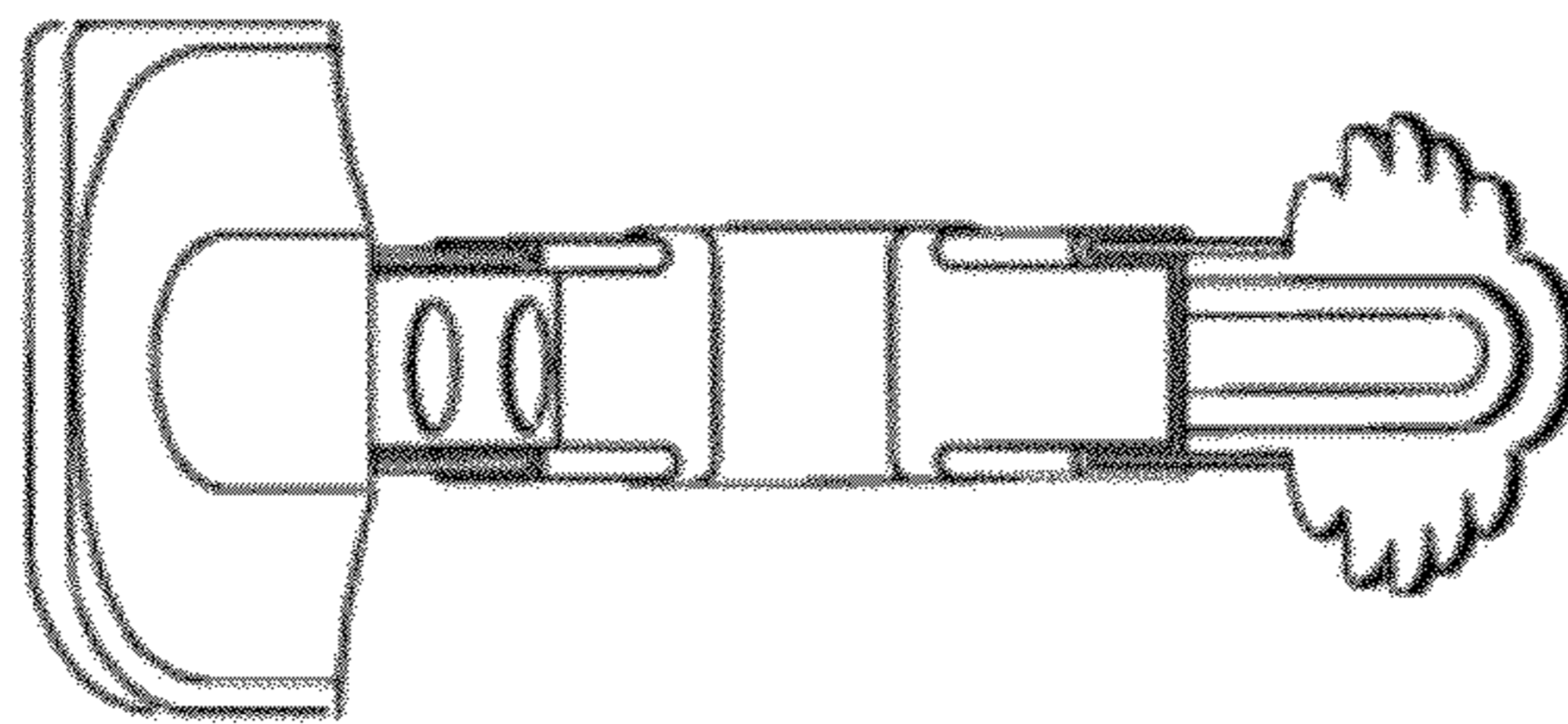


Fig. 6