



US00D675486S

(12) **United States Design Patent**
Fukai

(10) **Patent No.:** **US D675,486 S**

(45) **Date of Patent:** **** Feb. 5, 2013**

(54) **BASE OF BOILED EGG SLICER**

(76) Inventor: **Kouzi Fukai**, Tokyo (JP)

(**) Term: **14 Years**

(21) Appl. No.: **29/408,023**

(22) Filed: **Dec. 6, 2011**

(51) **LOC (9) Cl.** **07-04**

(52) **U.S. Cl.** **D7/673**

(58) **Field of Classification Search** D7/672-677,
D7/693; 30/114-117, 303, 304; 83/466.1,
83/651.1, 597, 932; 99/537, 538

See application file for complete search history.

Primary Examiner — Terry Wallace

(74) *Attorney, Agent, or Firm* — Wenderoth, Lind & Ponack,
L.L.P.

(57) **CLAIM**

The ornamental design for a base of boiled egg slicer, as shown and described.

DESCRIPTION

(56) **References Cited**

U.S. PATENT DOCUMENTS

D85,385 S *	10/1931	Lowitz	D7/673
5,749,145 A *	5/1998	Baukloh	30/114
D400,065 S *	10/1998	Fohrman	D7/673
D436,504 S *	1/2001	Demers	D7/673
D464,851 S *	10/2002	Dorion	D7/673
D510,507 S *	10/2005	Lo	D7/673

* cited by examiner

FIG. 1 is a perspective view of base of boiled egg slicer of the present invention;

FIG. 2 is a front view thereof;

FIG. 3 is a rear view thereof;

FIG. 4 is a left side view thereof;

FIG. 5 is a right side view thereof;

FIG. 6 is a top view thereof; and,

FIG. 7 is a bottom view thereof.

1 Claim, 4 Drawing Sheets

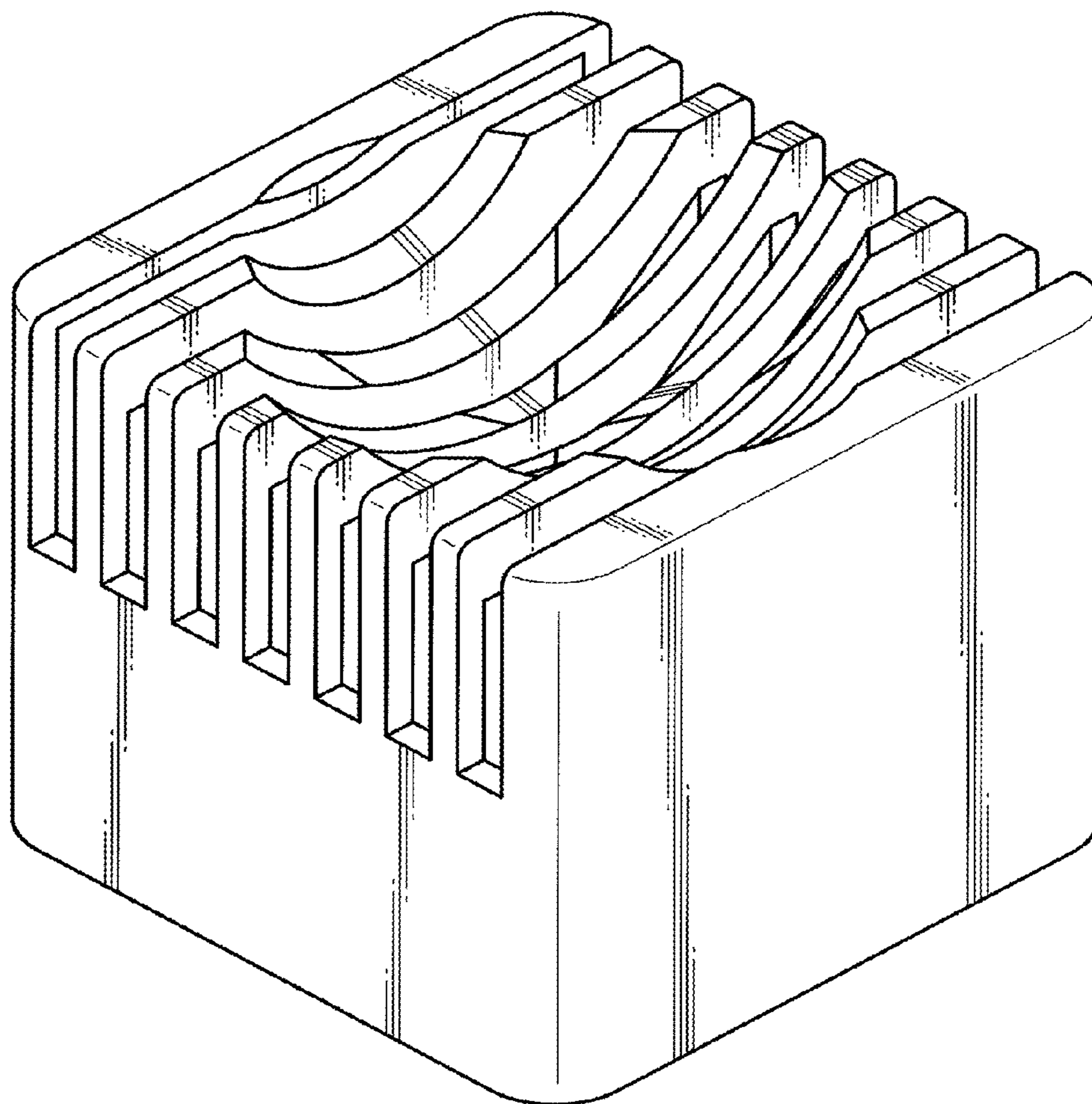


FIG. 1

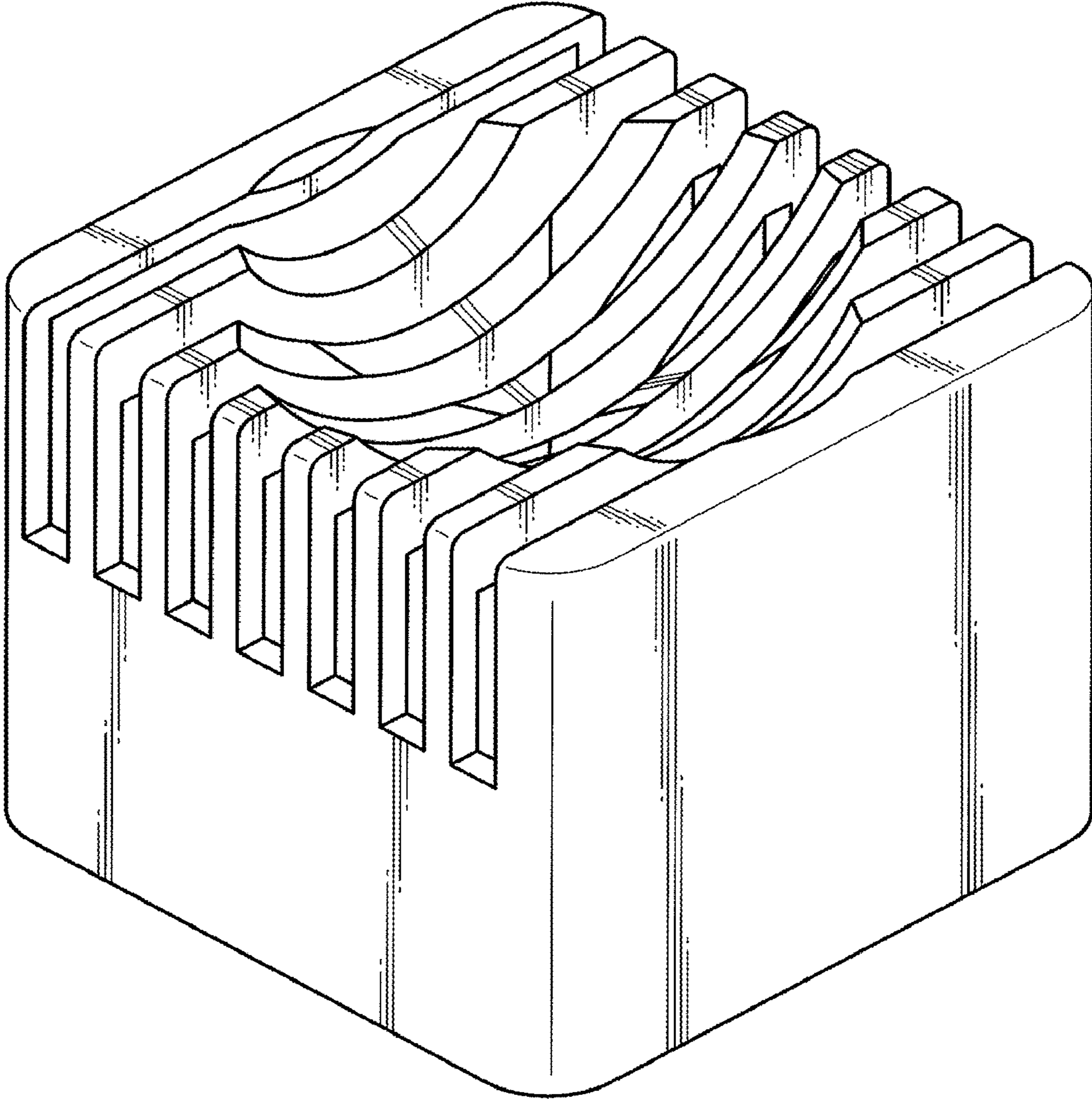


FIG. 2

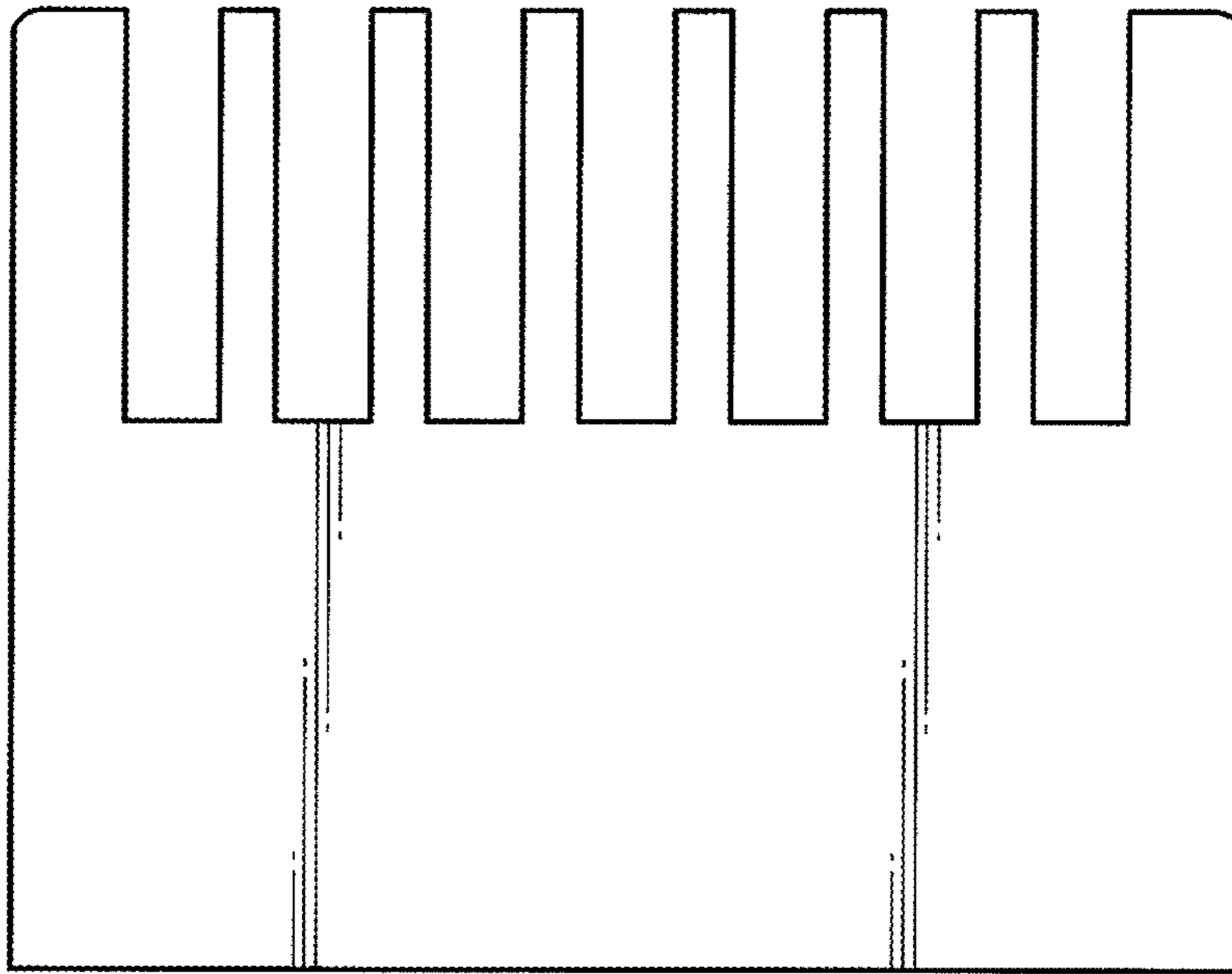


FIG. 3

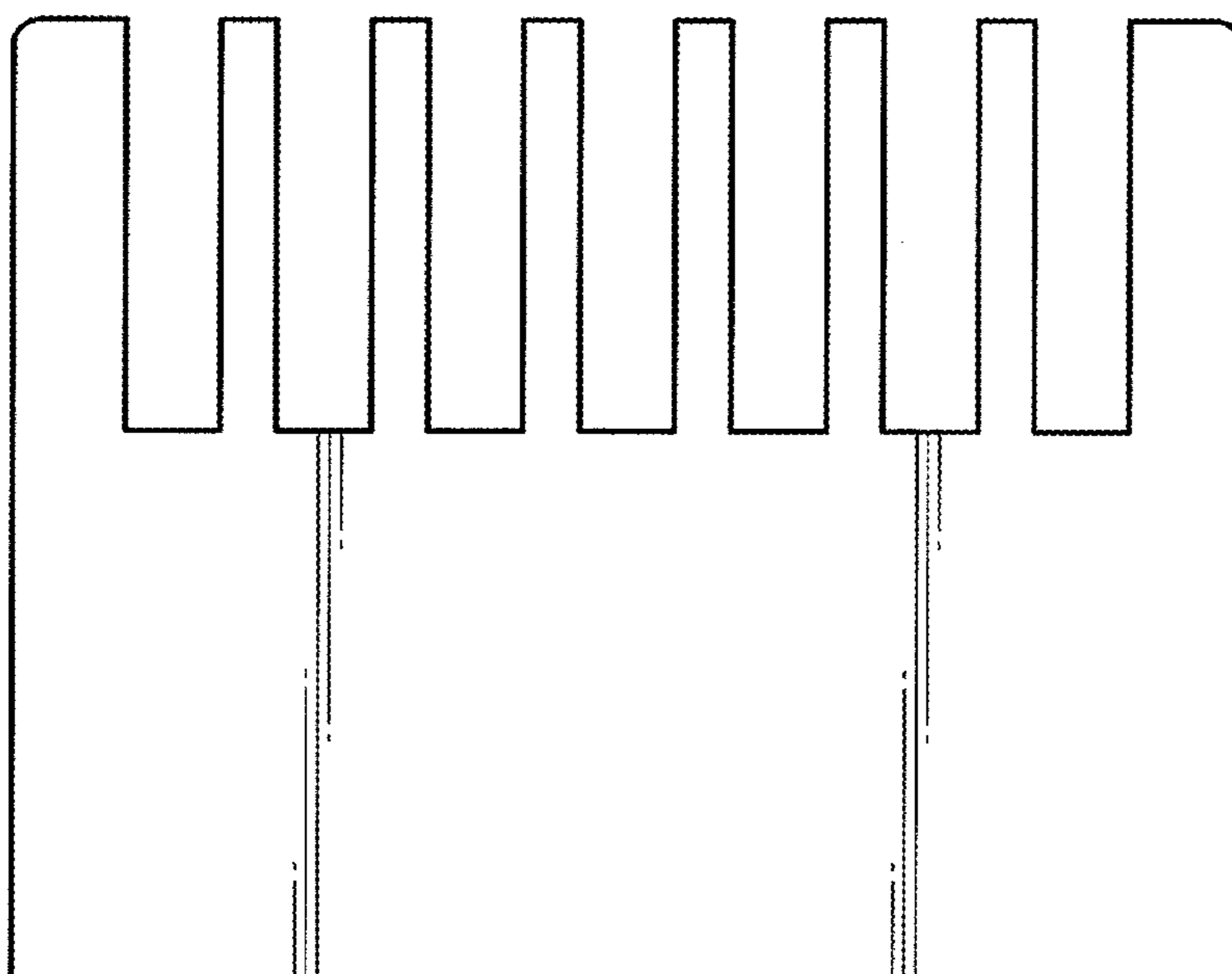


FIG. 4

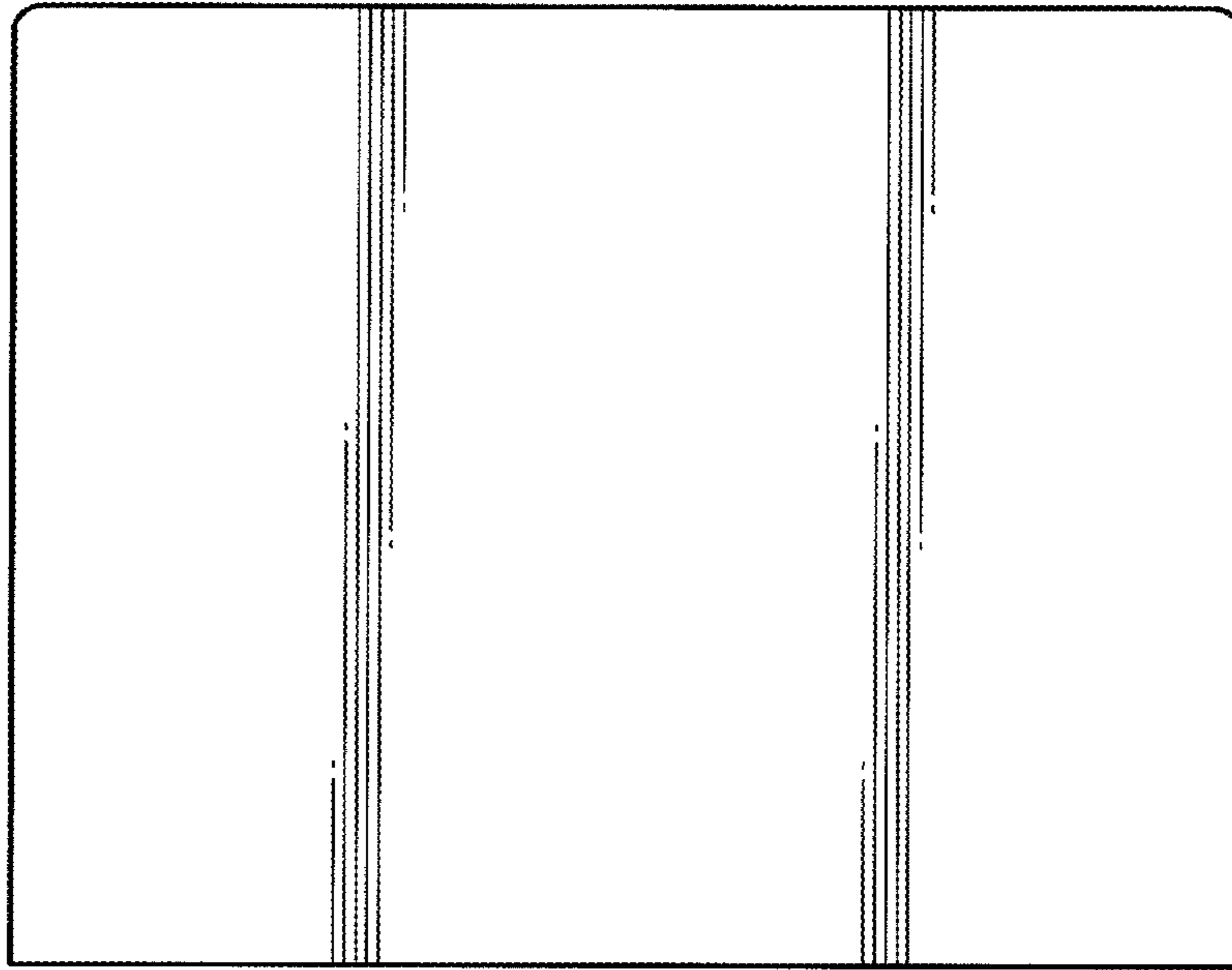


FIG. 5

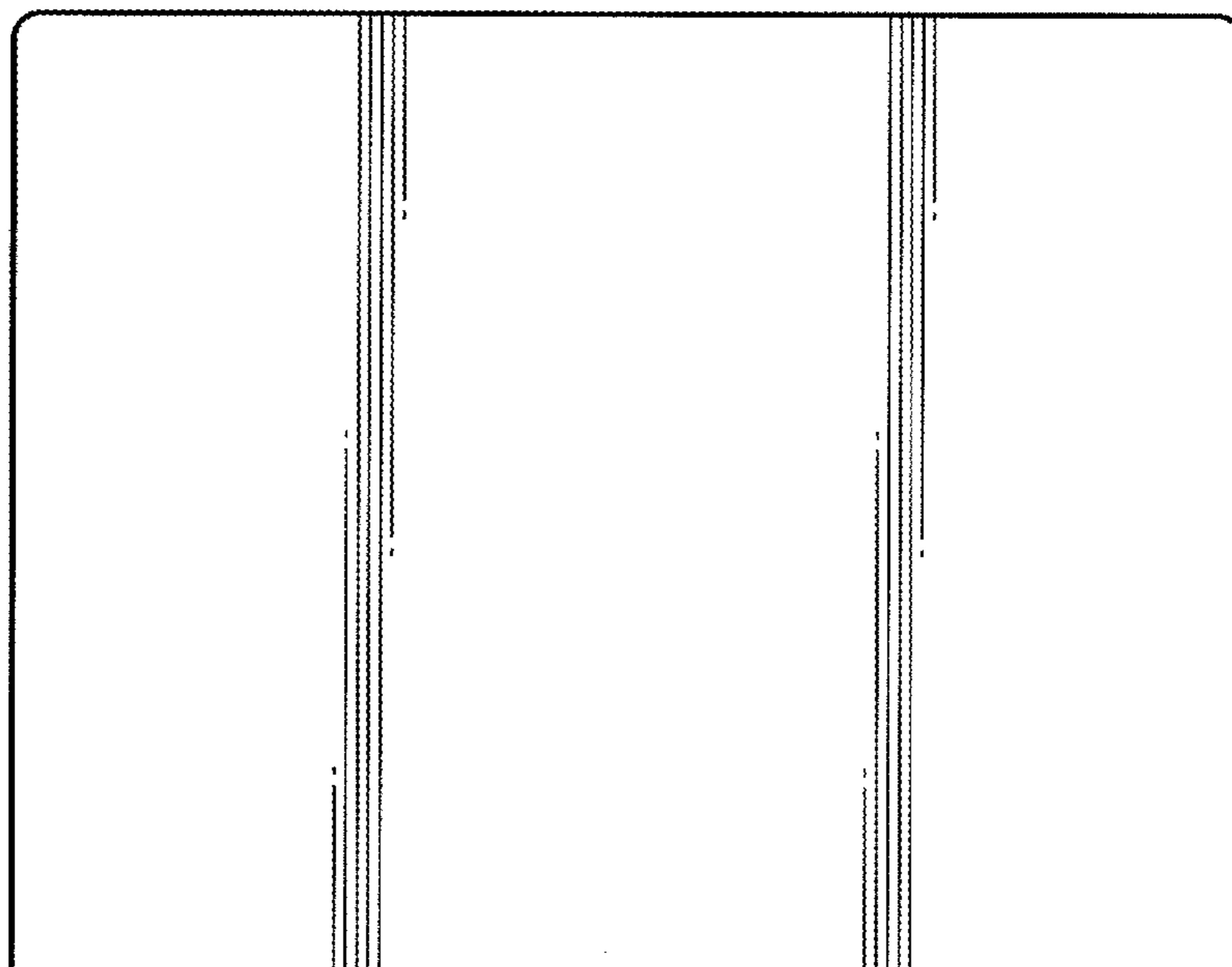


FIG. 6

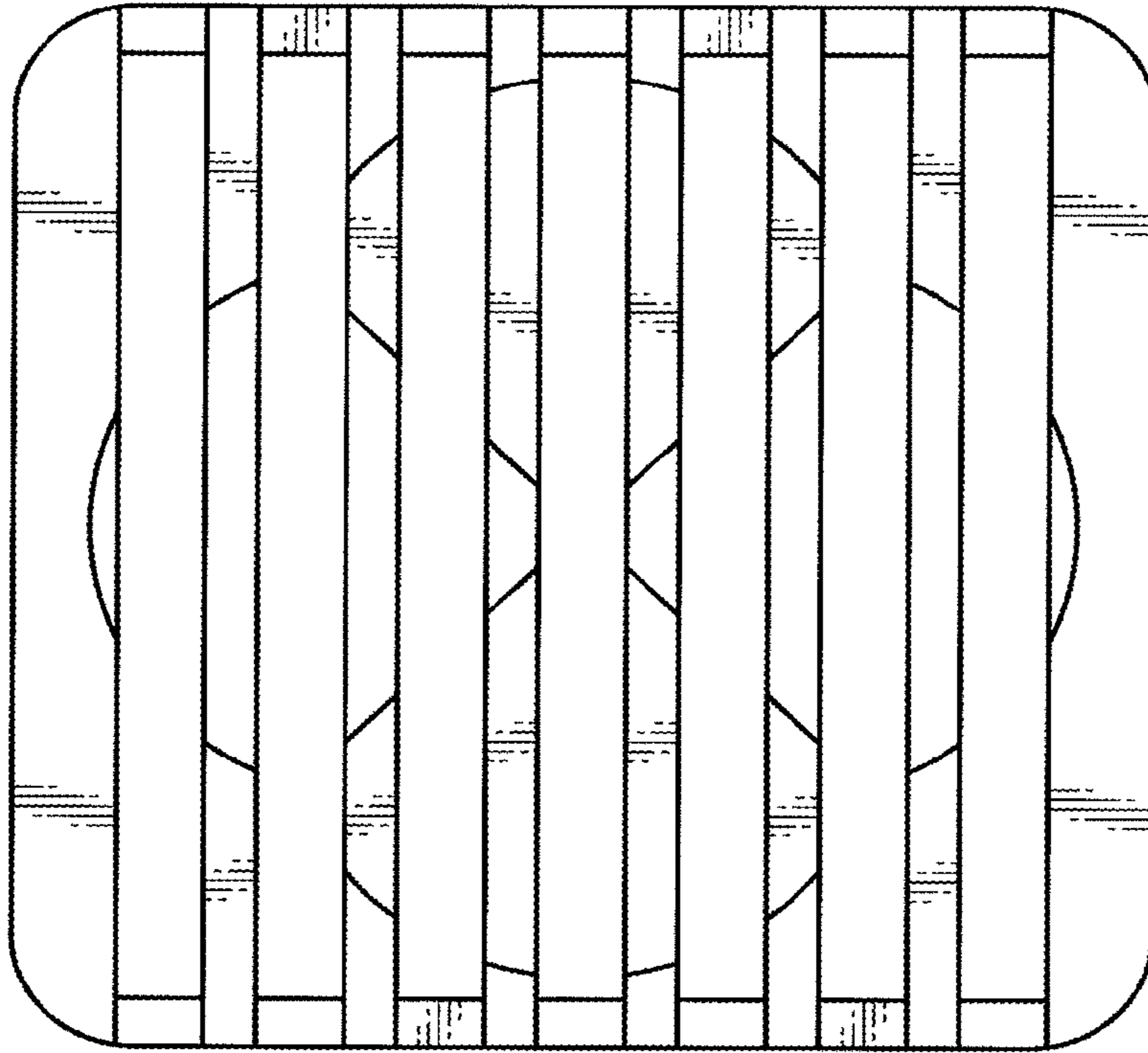


FIG. 7

