



US00D675484S

(12) **United States Design Patent**
Schwartz et al.

(10) **Patent No.:** **US D675,484 S**

(45) **Date of Patent:** **** *Feb. 5, 2013**

(54) **LION SHAPED CONTAINER WITH COVER AND ADDITIONAL STORAGE COMPARTMENT WITHIN THE COVER**

(76) Inventors: **Noam Schwartz**, Las Vegas, NV (US);
Guy Schwartz, Las Vegas, NV (US)

(*) Notice: This patent is subject to a terminal disclaimer.

(**) Term: **14 Years**

(21) Appl. No.: **29/347,852**

(22) Filed: **Jun. 24, 2010**

(51) **LOC (9) Cl.** **07-01**

(52) **U.S. Cl.** **D7/628**

(58) **Field of Classification Search** D7/500,
D7/538, 539, 541, 544, 546, 549, 550.1, 551.1,
D7/551.3, 553.1, 555, 556, 571, 578, 601,
D7/602, 604, 628, 629, 396.1; D9/606, 611;
215/200, 201, 316, 318, 379, 381-385; 220/573.1,
220/574, 495.03, 500, 529, 532, 553, 555,
220/556, 200, 376, 62.11, 62.13, 660, 662,
220/665, 669, 675, 674
See application file for complete search history.

(56) **References Cited**

U.S. PATENT DOCUMENTS

D107,402 S *	12/1937	Bates	D28/80
D205,102 S *	6/1966	Pawleka	D9/436
D347,573 S *	6/1994	Bishop	D9/611
D358,299 S *	5/1995	Brown et al.	D7/516
D375,227 S *	11/1996	Cyr	D7/539
D380,147 S *	6/1997	Kong	D9/611
D408,945 S *	4/1999	Sgariboldi	D28/80
D501,760 S *	2/2005	Bukowski	D7/550.1
D511,463 S *	11/2005	Wolters	D9/611
D512,645 S *	12/2005	Wolters	D9/611
D526,121 S *	8/2006	Nip	D3/271.2
D542,146 S *	5/2007	Wirtel et al.	D9/611
D548,609 S *	8/2007	Considine et al.	D9/611

D559,615 S *	1/2008	Laib et al.	D7/387
D562,078 S *	2/2008	Herssein	D7/555
7,337,943 B2 *	3/2008	Johns et al.	229/406
D587,971 S *	3/2009	Peabody et al.	D7/555
D604,115 S *	11/2009	Braidotti	D7/628
D616,446 S *	5/2010	Wu et al.	D14/403
D616,760 S *	6/2010	Deuerer	D9/611
D634,642 S *	3/2011	Araujo et al.	D9/611

* cited by examiner

Primary Examiner — Elizabeth J Oswecki

(57) **CLAIM**

The ornamental design for a lion shaped container with a cover and an additional storage compartment within the cover.

DESCRIPTION

FIG. 1 is an exploded perspective view of a lion shaped container with cover and additional storage compartment within the cover showing our new design, with the main cover removed and the additional storage compartment in a closed configuration;

FIG. 2 is another exploded perspective view thereof, with the main cover removed and the additional storage compartment in an open configuration;

FIG. 3 is a perspective view of the lion shaped container with cover and additional storage compartment within the cover, with the main cover on and the additional storage compartment in a closed configuration;

FIG. 4 is another perspective view thereof, with the main cover on and the additional storage compartment in an open configuration;

FIG. 5 is a side elevational view, with the main cover on and an additional storage compartment in a closed configuration;

FIG. 6 is an opposite side elevation view thereof;

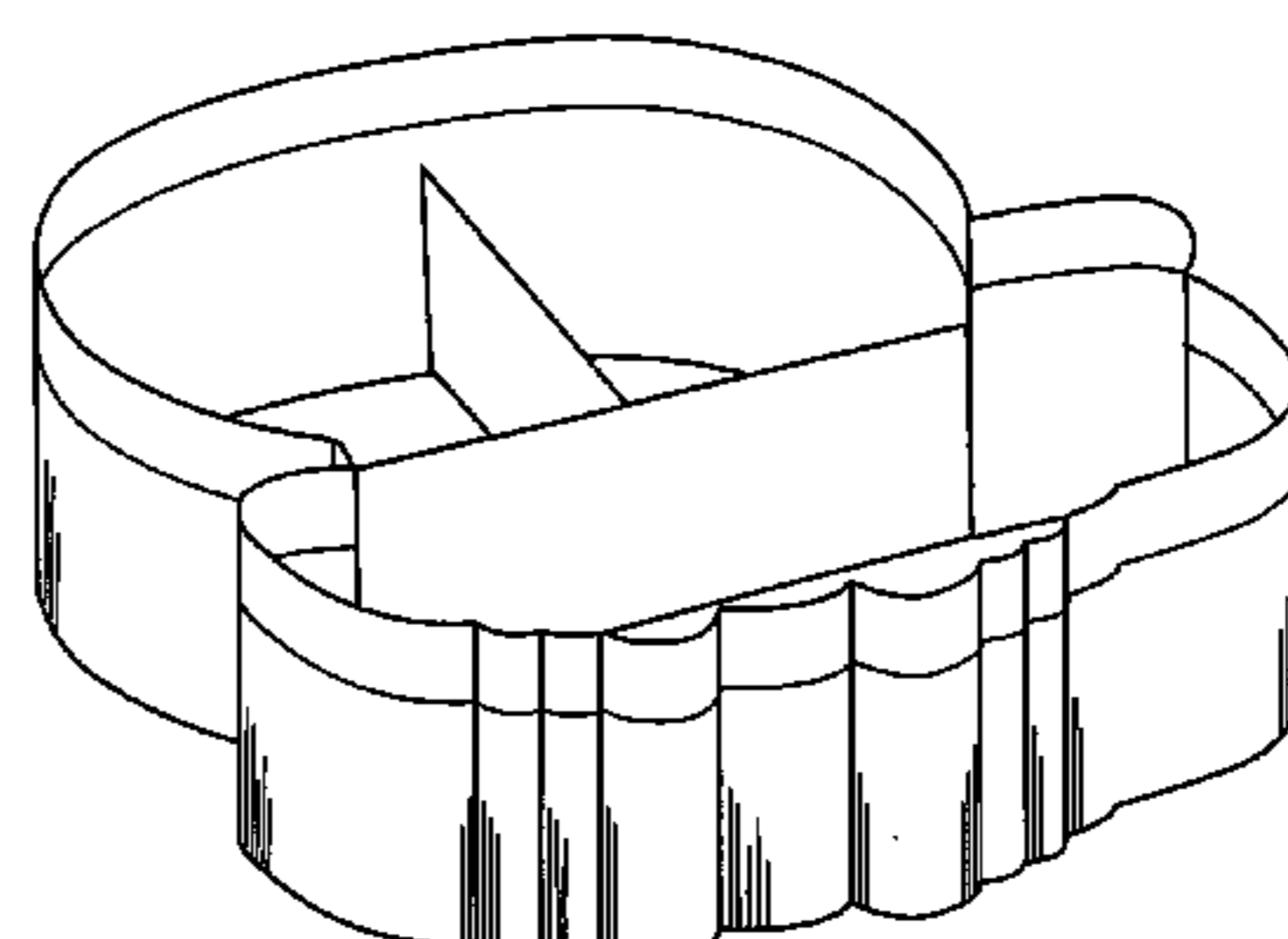
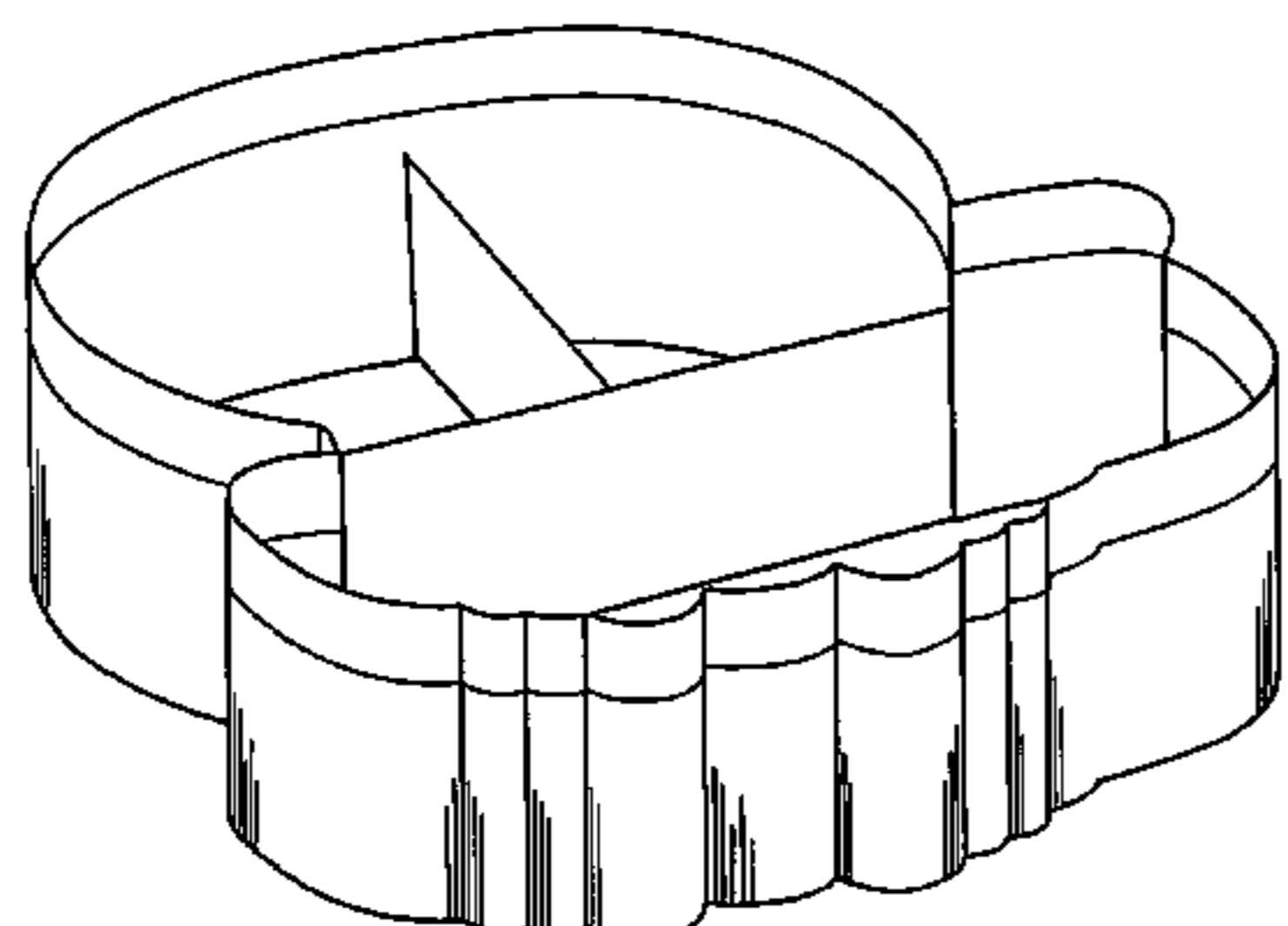
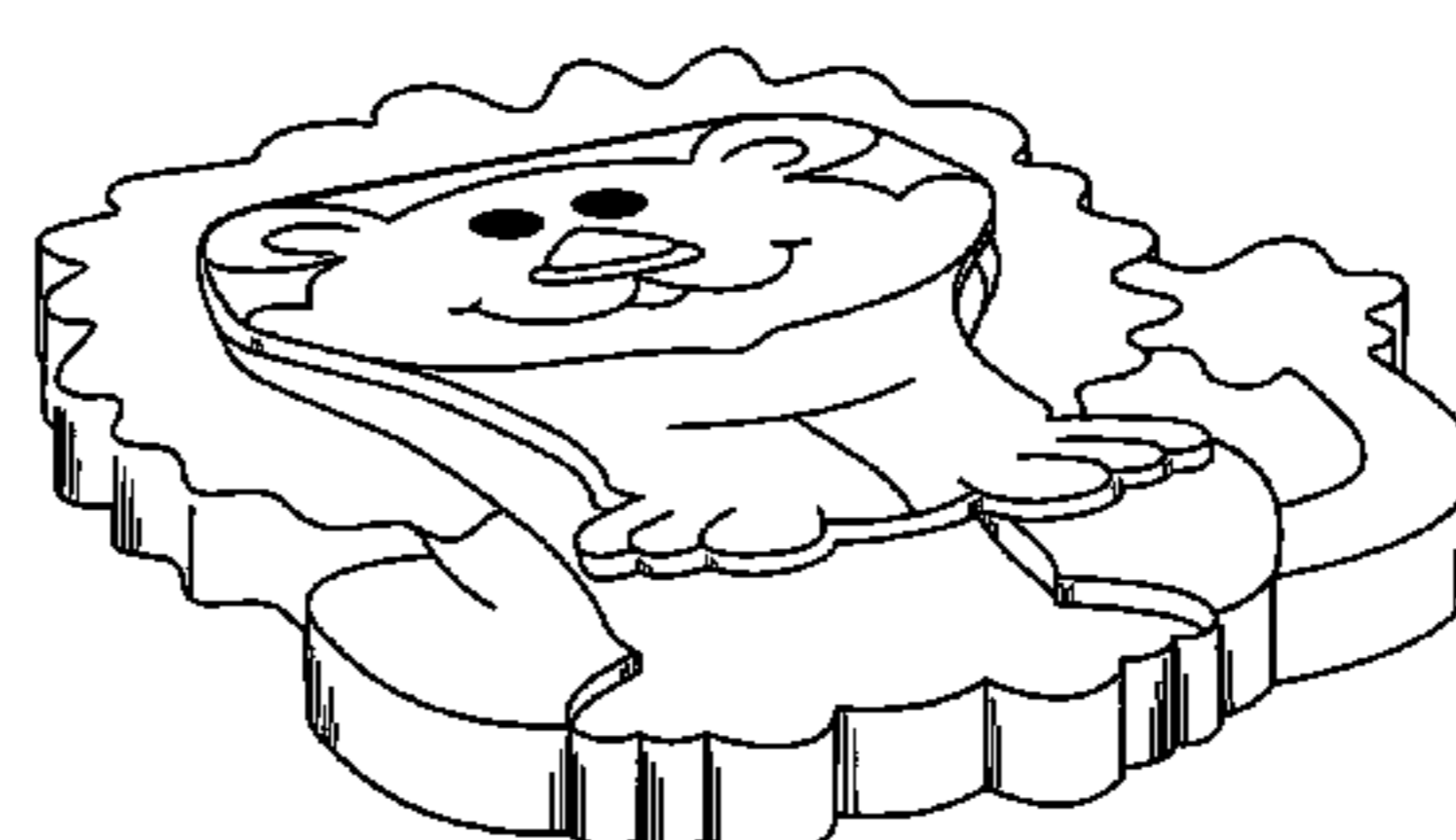
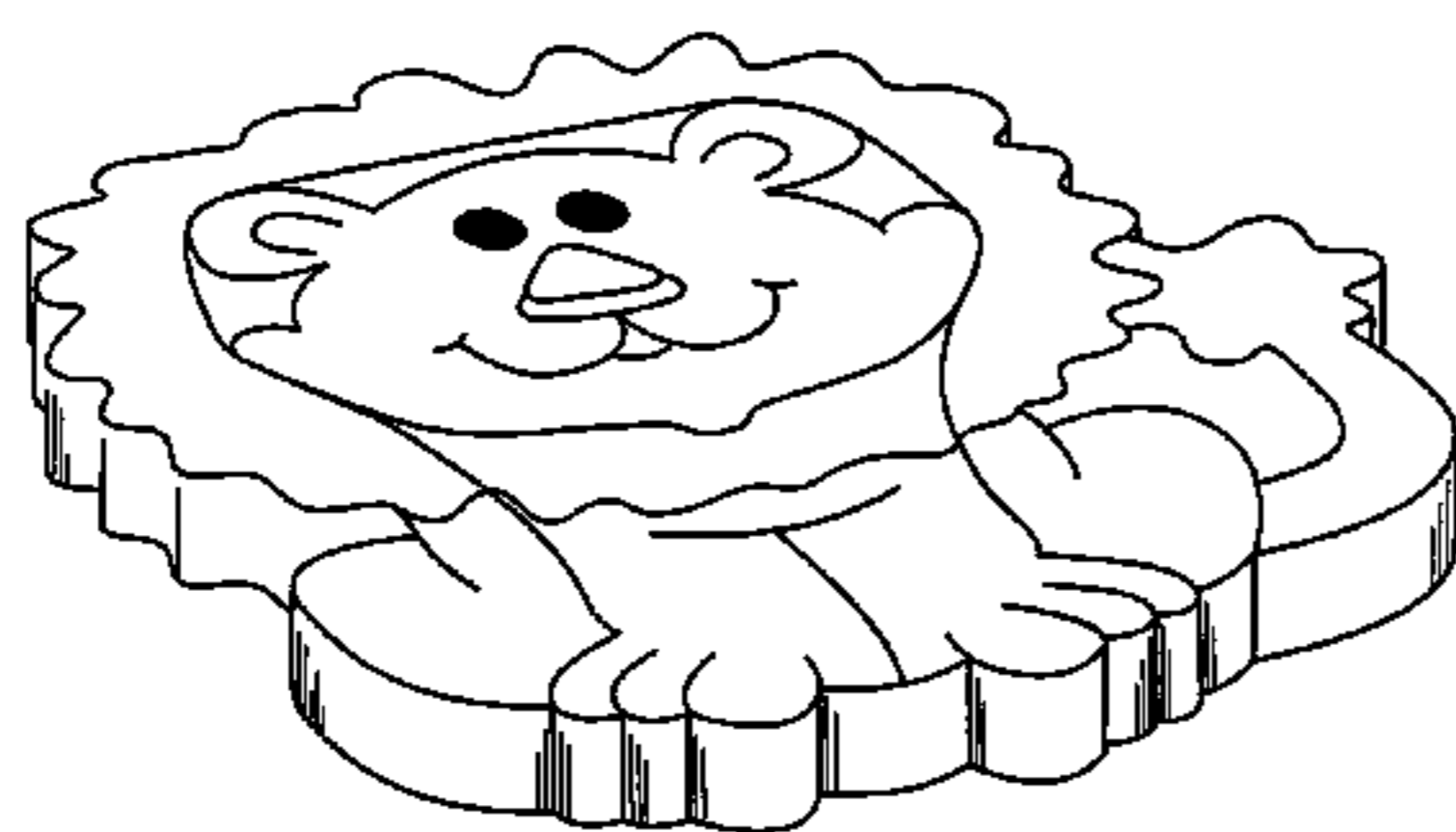
FIG. 7 is a top plan view thereof;

FIG. 8 is a bottom plan view thereof;

FIG. 9 is a rear elevation view thereof; and,

FIG. 10 is a front elevation view thereof.

1 Claim, 7 Drawing Sheets



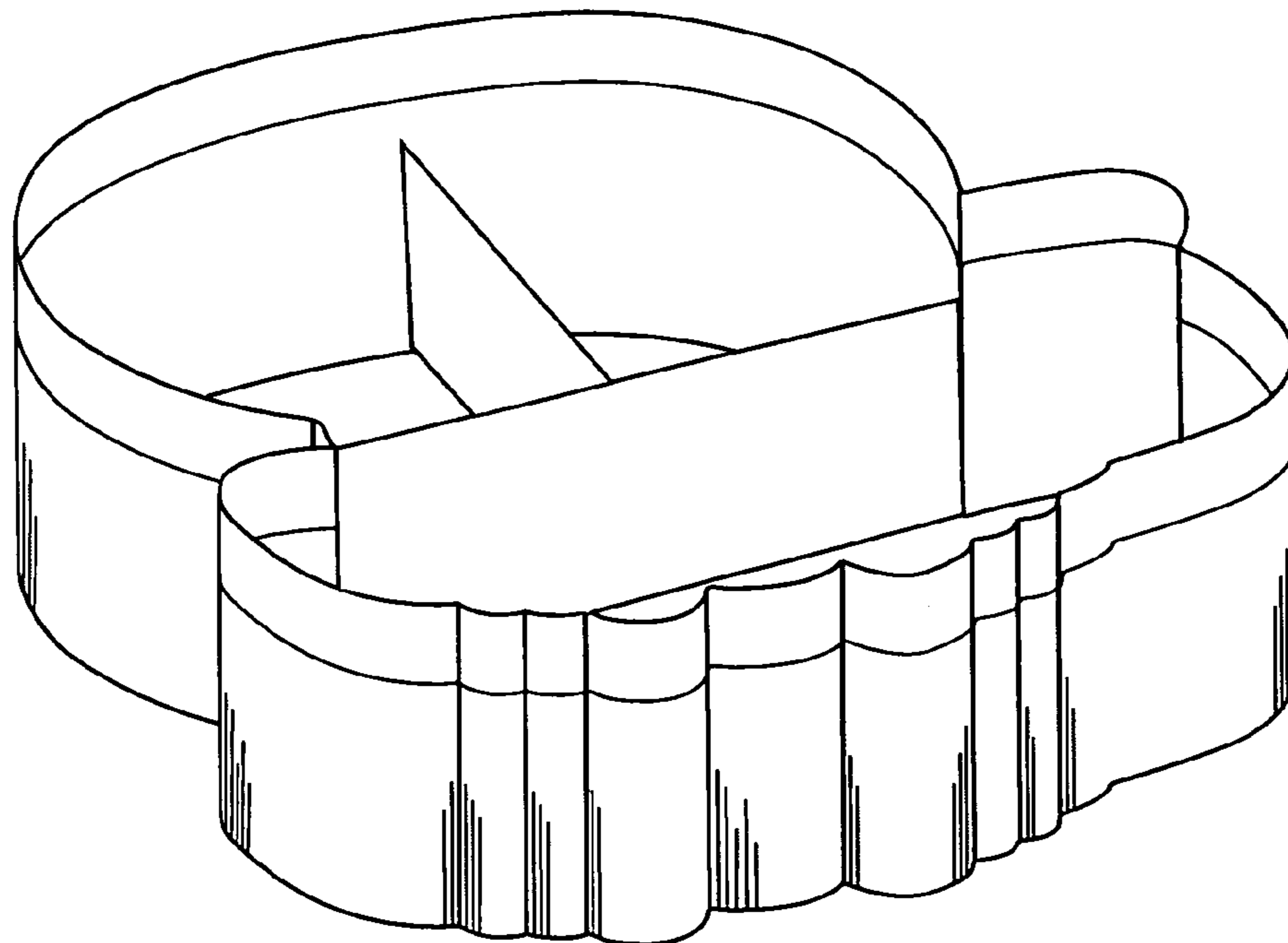
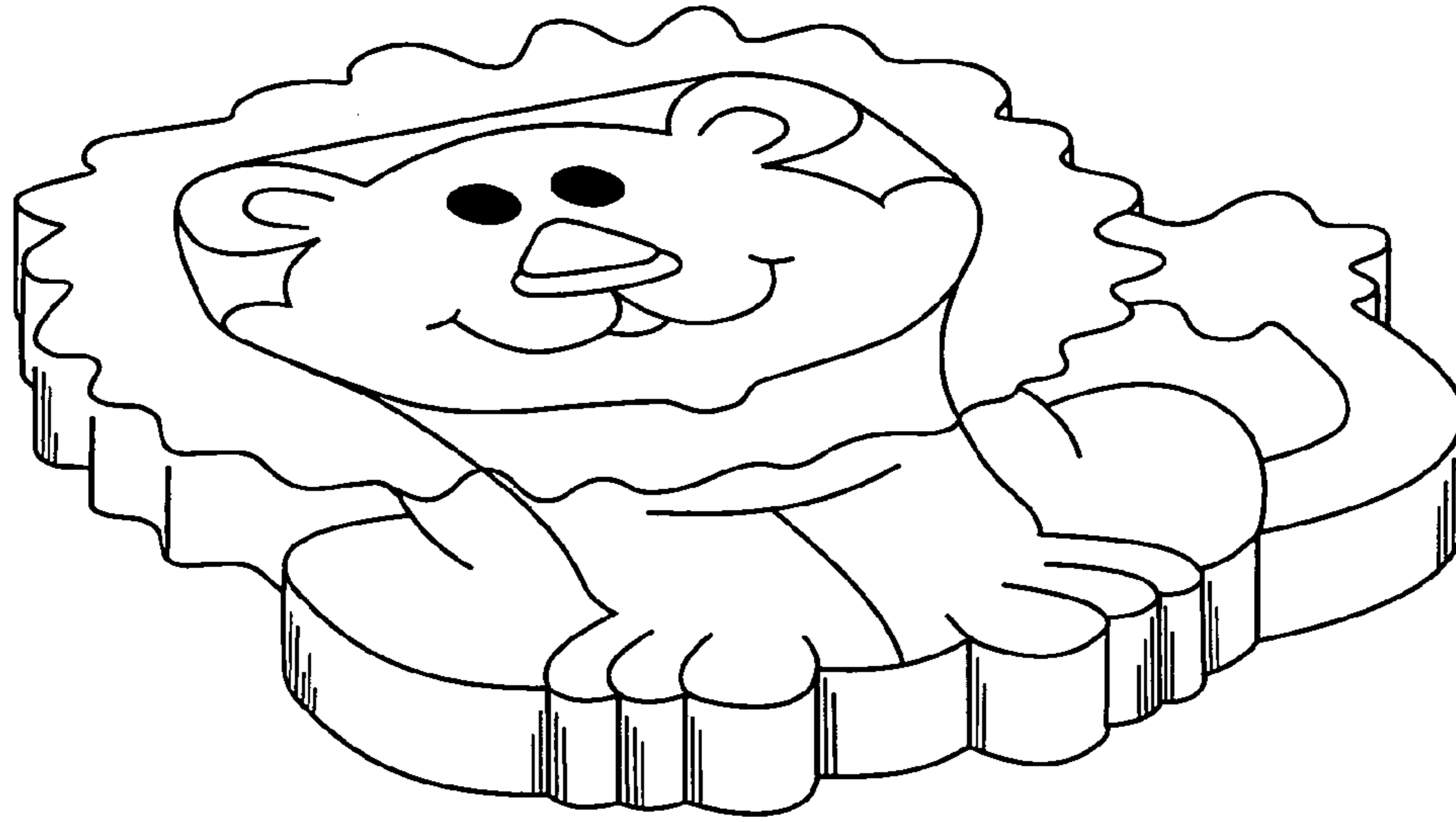


Fig. 1

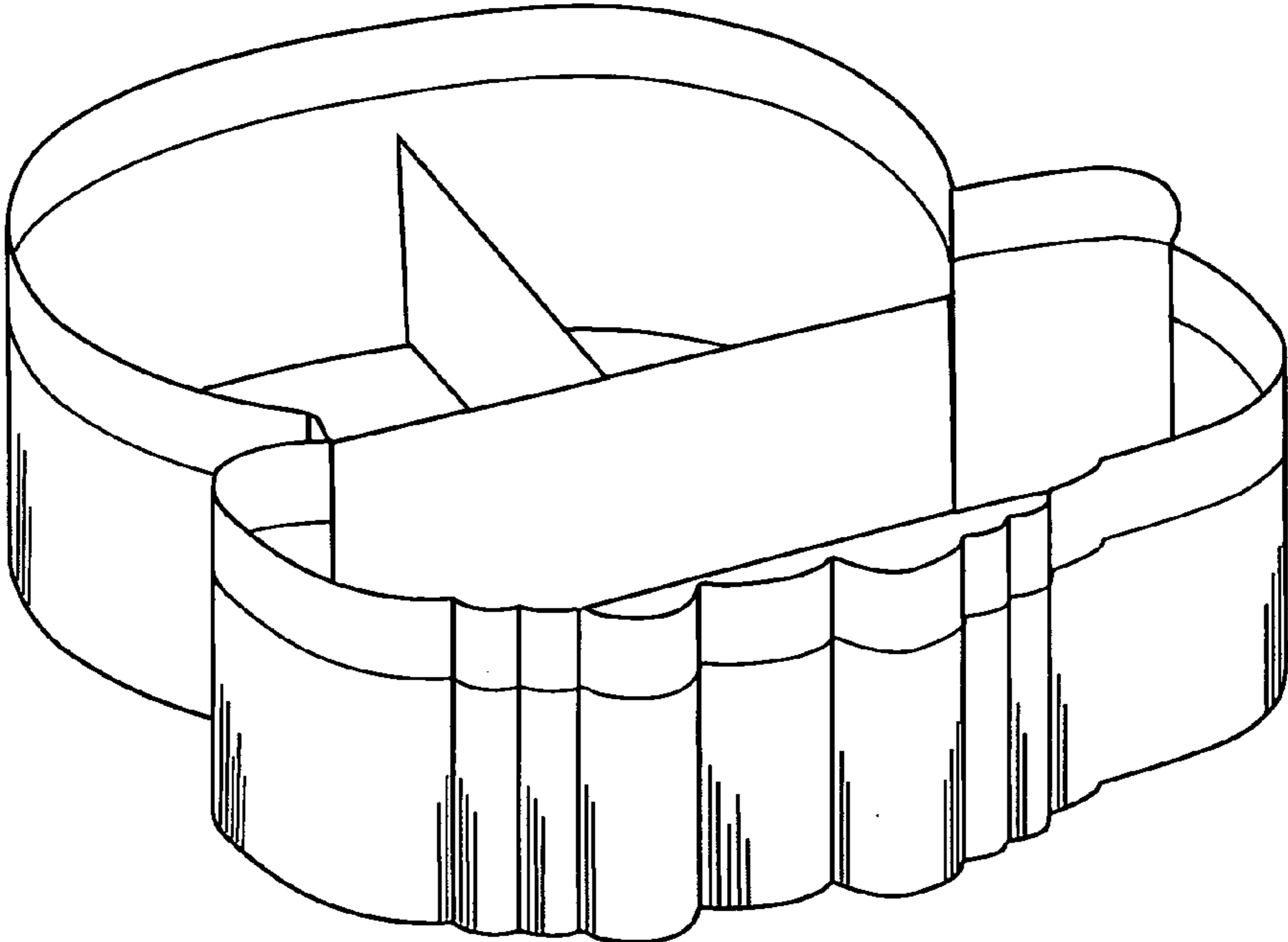
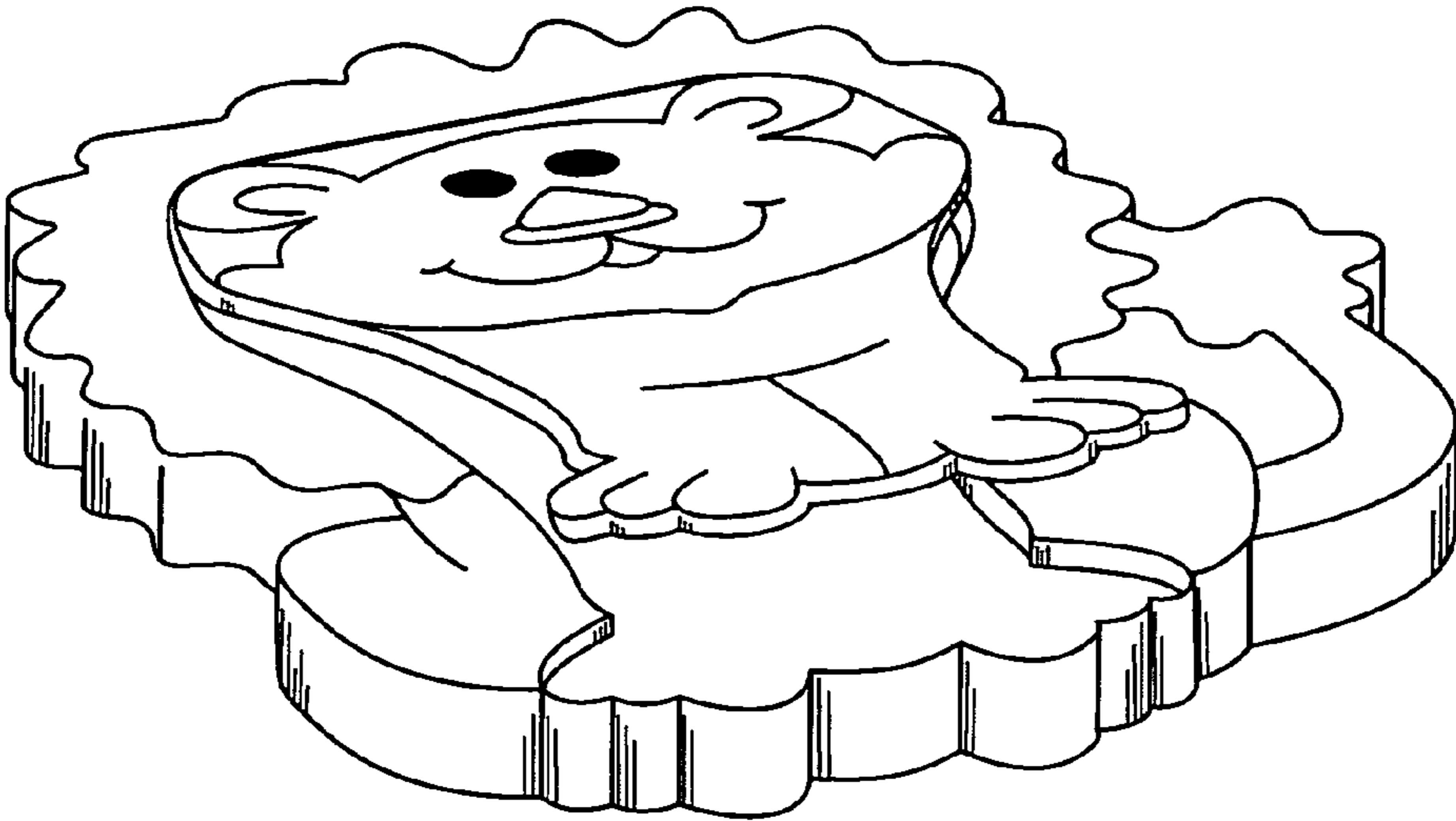


Fig. 2

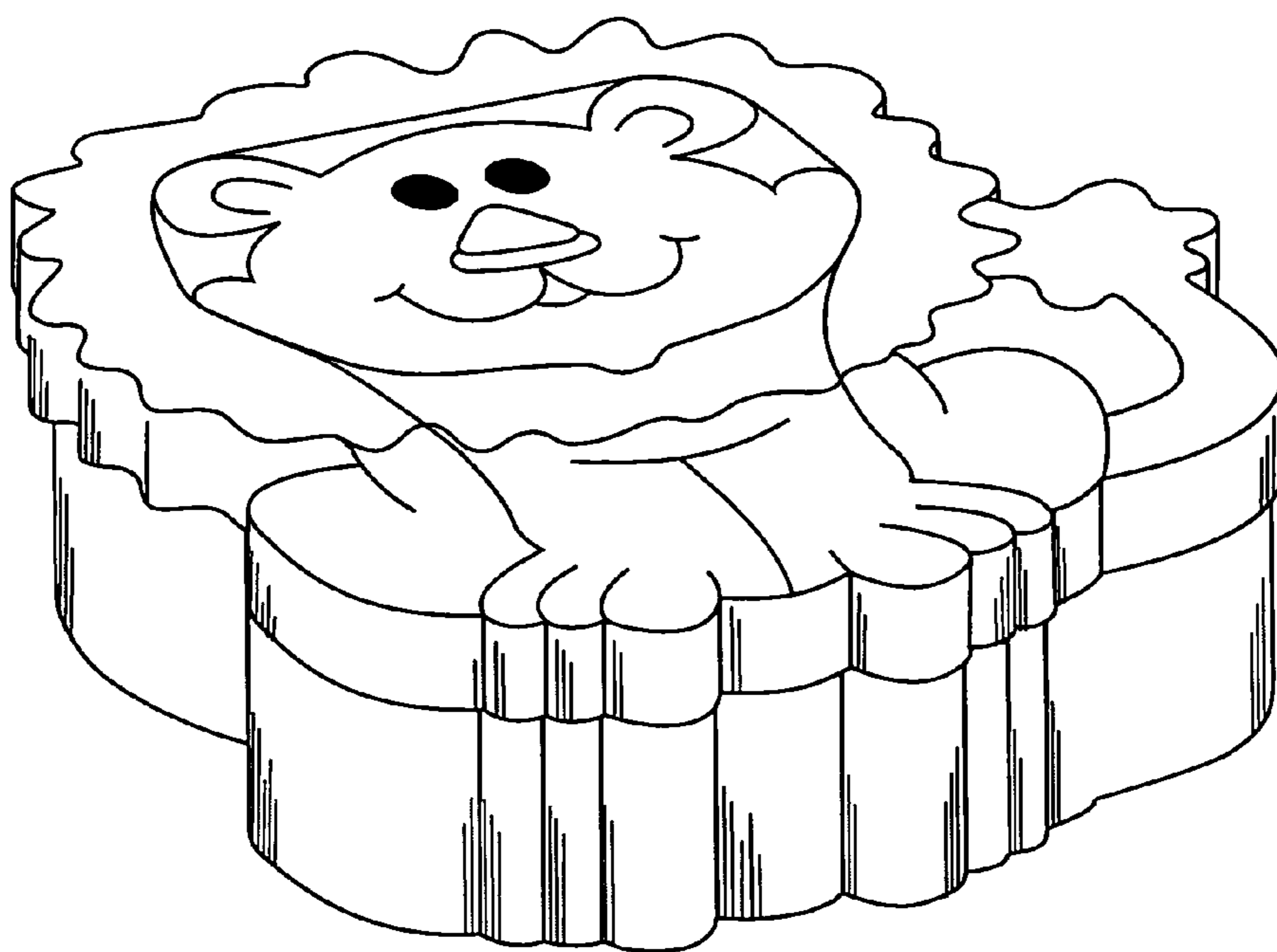


Fig. 3

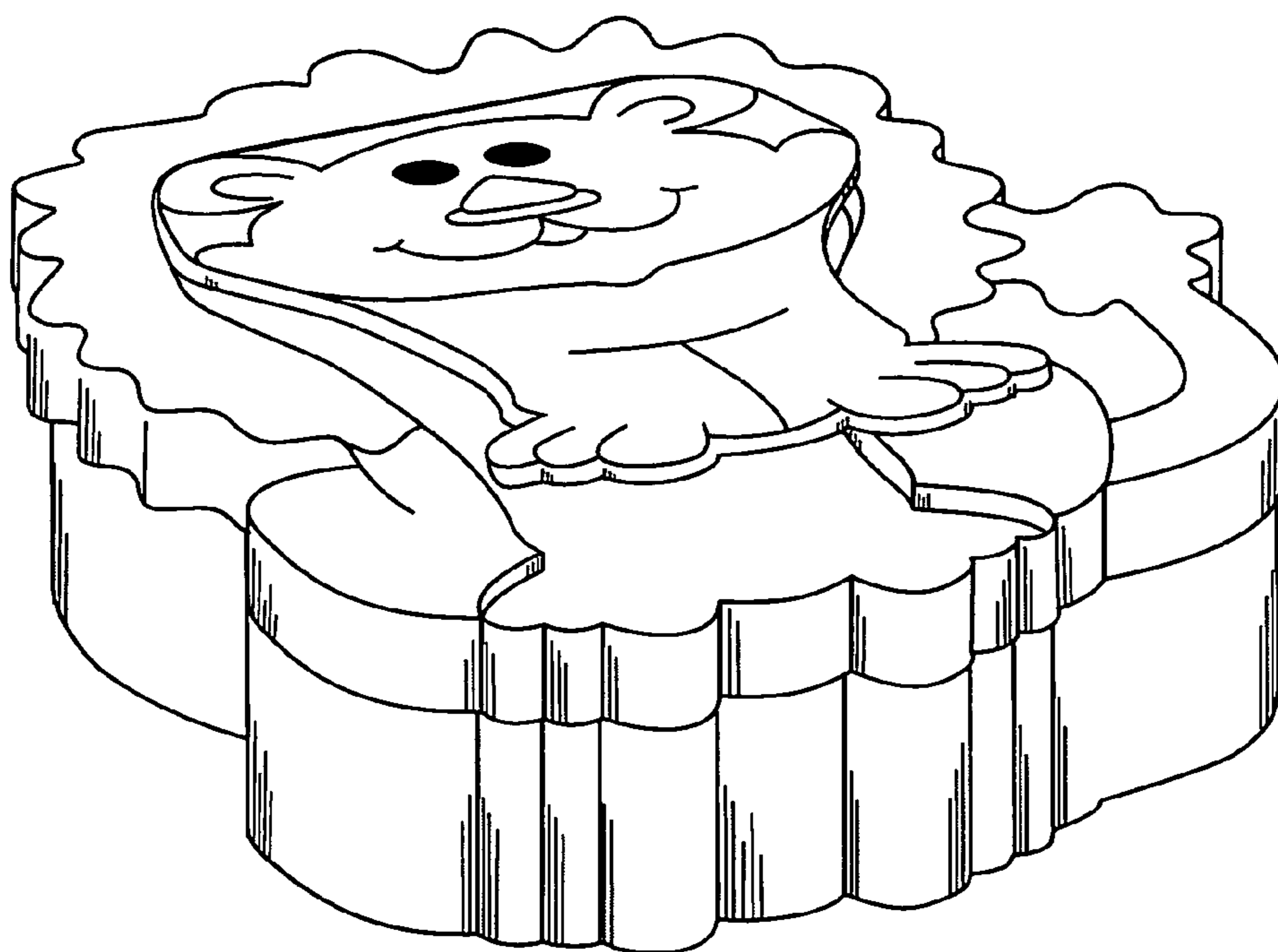


Fig. 4

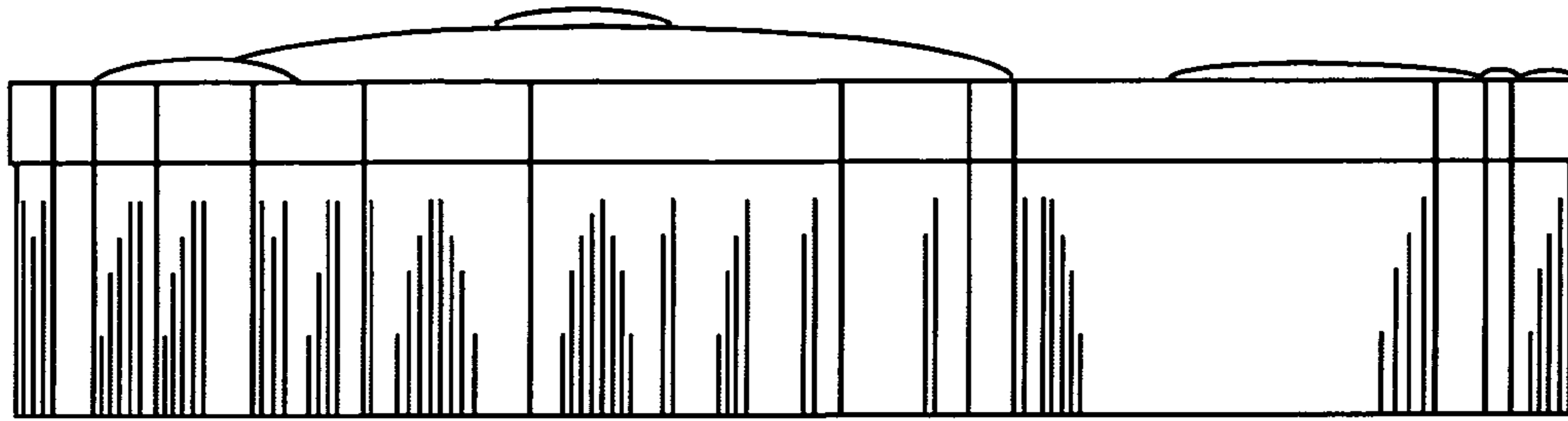


Fig. 5

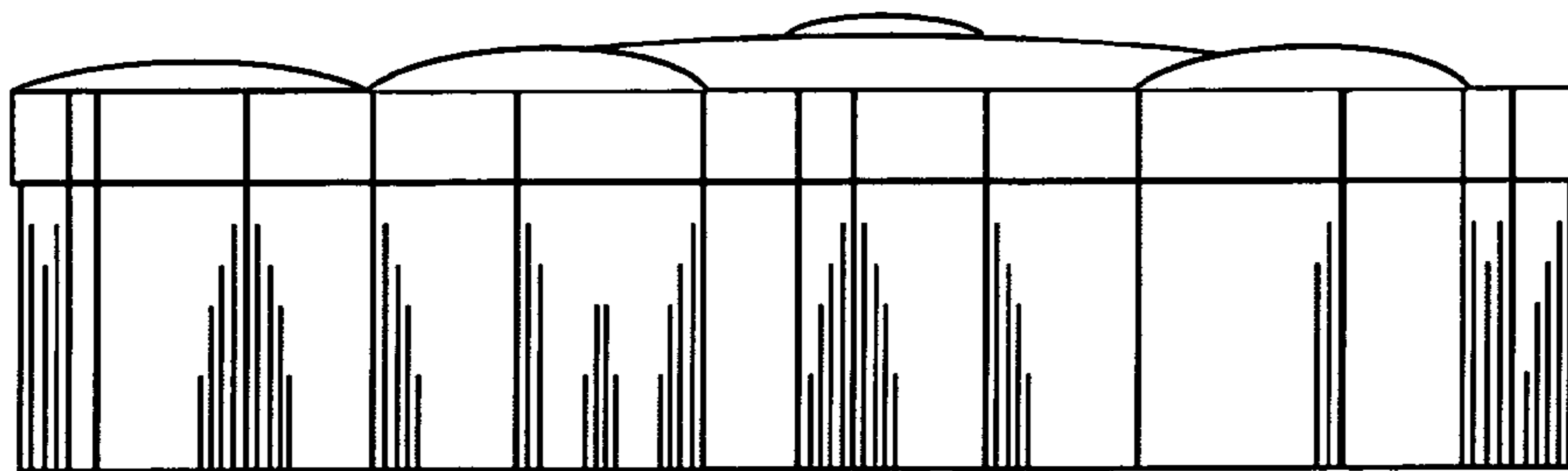


Fig. 6

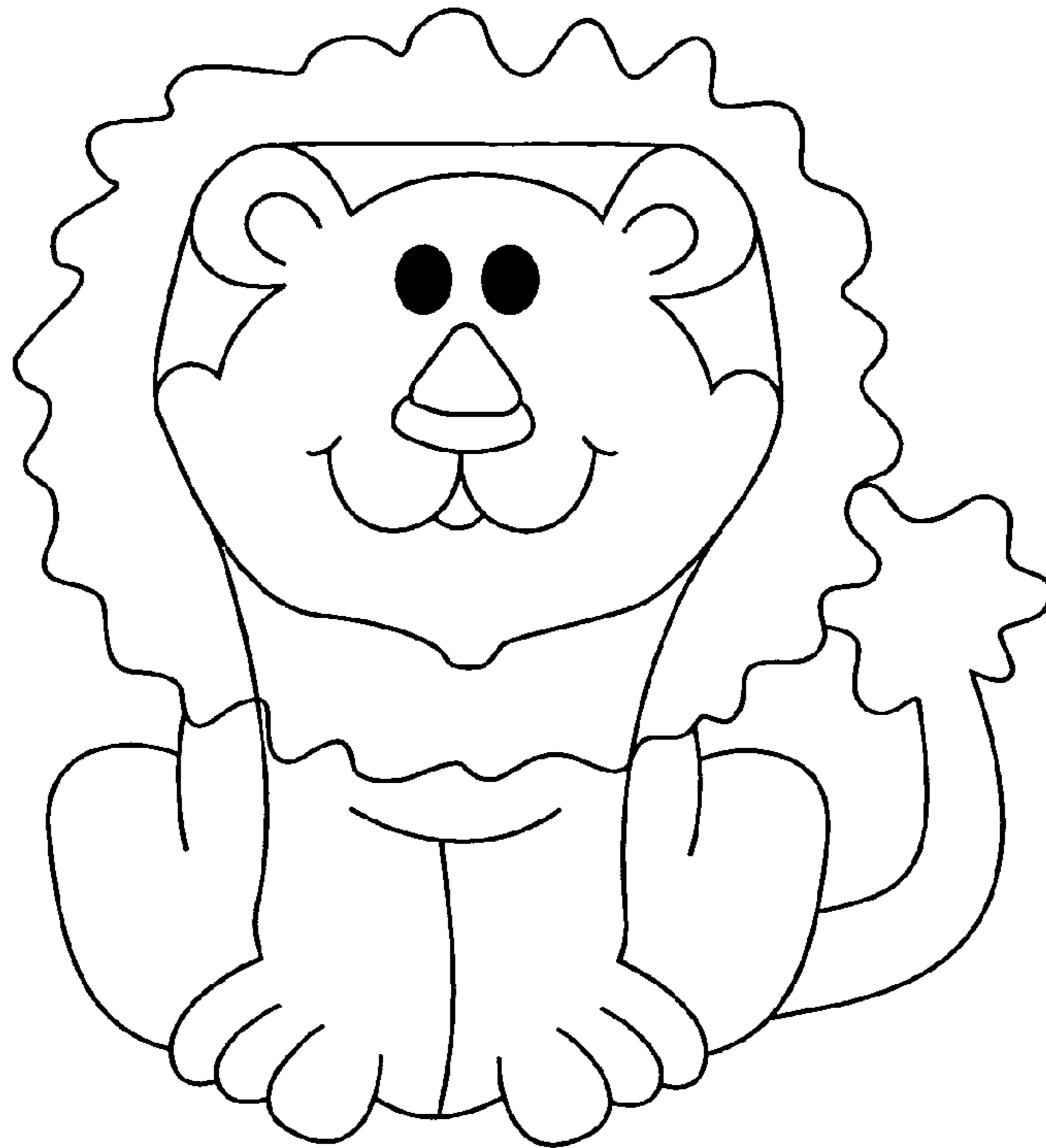


Fig. 7

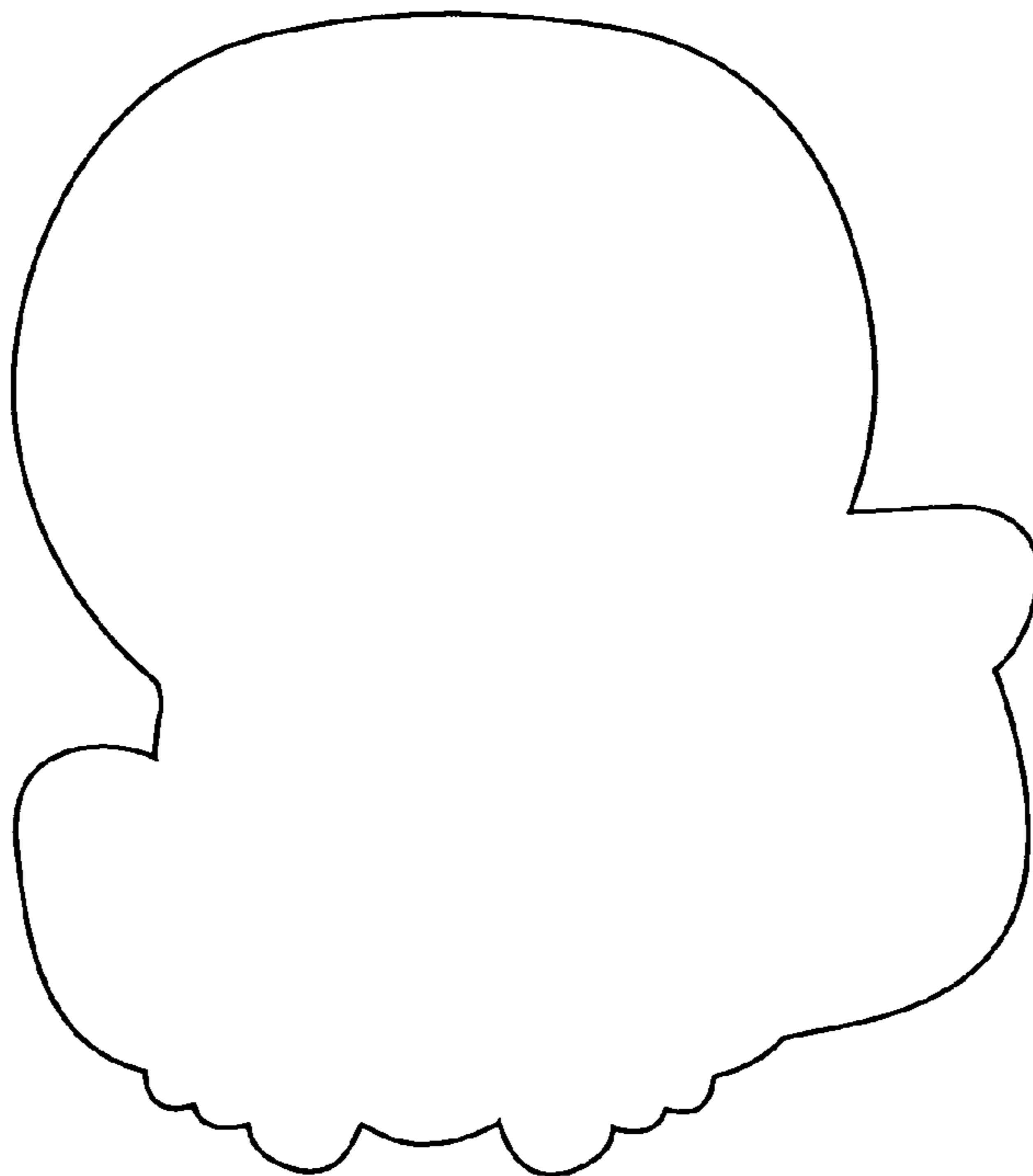


Fig. 8

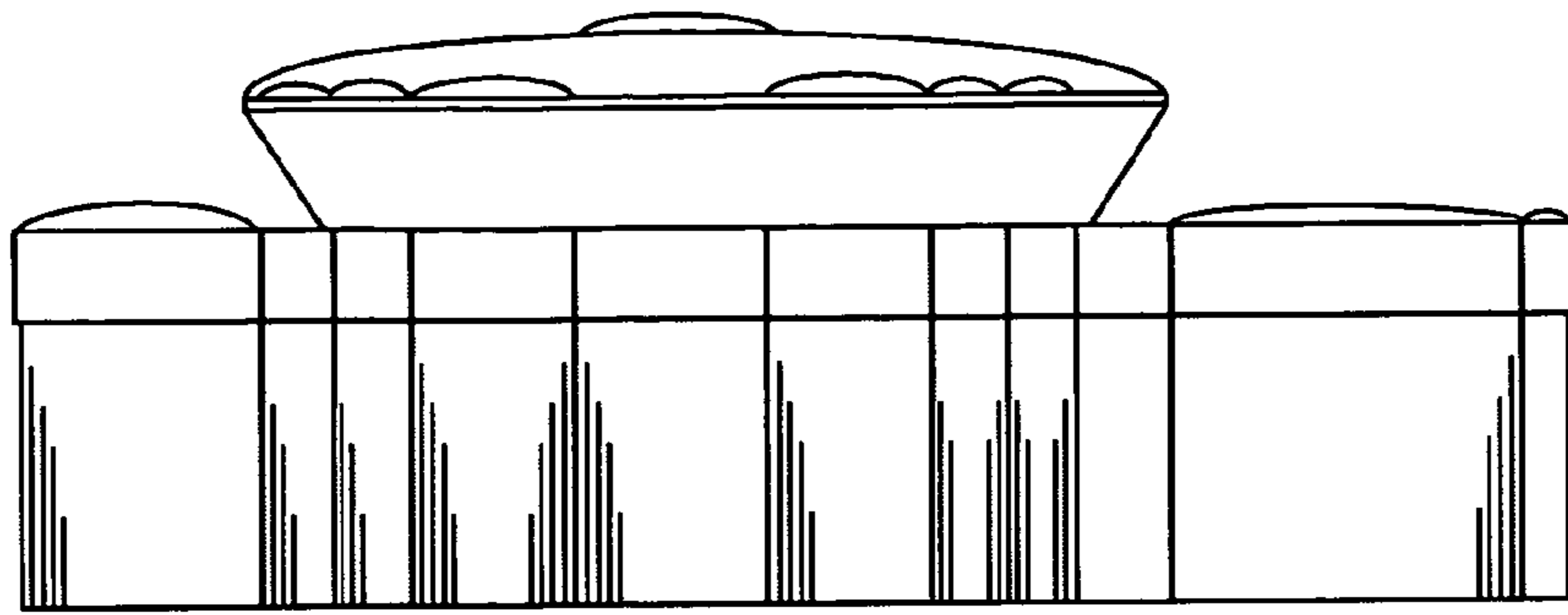


Fig. 9

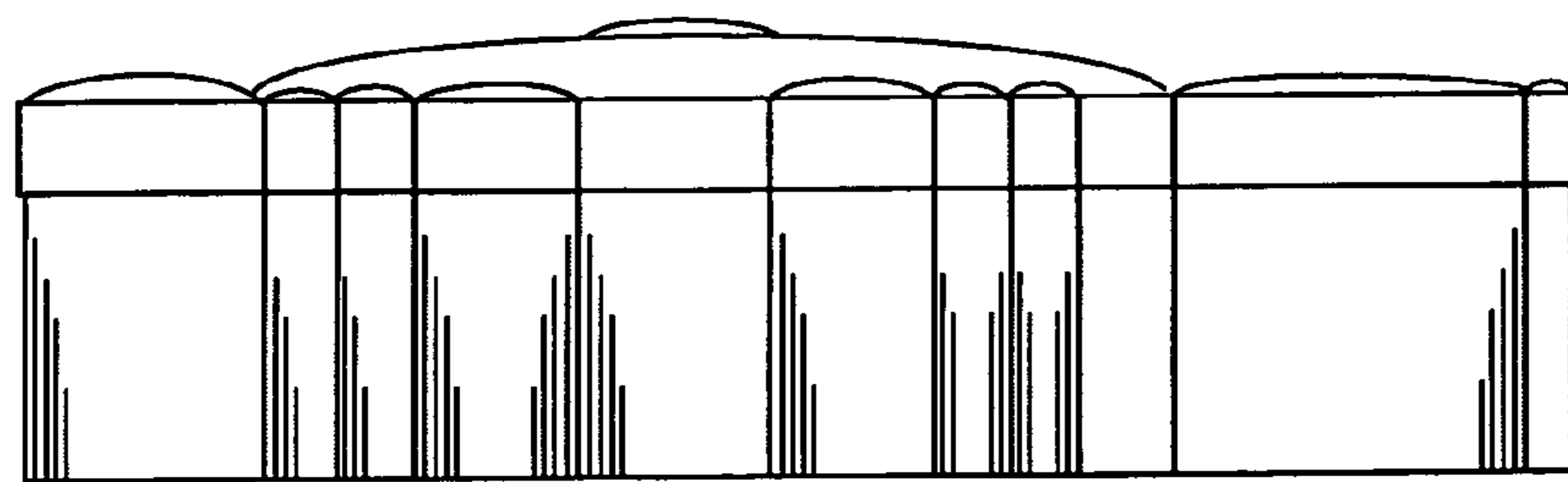


Fig. 10