



US00D675483S

(12) **United States Design Patent**  
**Apple et al.**

(10) **Patent No.:** **US D675,483 S**  
(45) **Date of Patent:** **\*\* Feb. 5, 2013**

(54) **CONDIMENT CONTAINER SET**

(75) Inventors: **Elizabeth H. Apple**, Minneapolis, MN (US); **Kent D. Katterheinrich**, St. Anthony, MN (US)

(73) Assignee: **Target Brands, Inc.**, Minneapolis, MN (US)

(\*\*) Term: **14 Years**

(21) Appl. No.: **29/420,483**

(22) Filed: **May 9, 2012**

(51) **LOC (9) Cl.** ..... **07-06**

(52) **U.S. Cl.** ..... **D7/596**

(58) **Field of Classification Search** ..... D7/590–599, D7/317, 372, 373, 401.1; D9/500, 503, 505, D9/515, 549, 559, 574, 575, 905, 414, 426, D9/432, 433; 222/142.1–142.9, 450–452, 222/480; 241/169, 169.1, 169.2; D21/483, D21/484, 491, 500, 504, 505; D25/23, 26, D25/30, 113, 119; 206/503–520; 52/600–611, 52/596

See application file for complete search history.

(56) **References Cited**

**U.S. PATENT DOCUMENTS**

1,683	A *	7/1840	DeLisle	404/46
747,711	A *	12/1903	Hollingsworth	434/211
843,356	A	2/1907	Parker	
997,060	A	7/1911	Hedrich	
1,215,018	A	2/1917	Grossman	
1,216,840	A *	2/1917	Ramsey et al.	446/122
1,772,041	A	2/1928	Harris	
1,736,134	A *	11/1929	Rutherford	446/118
D107,741	S	1/1938	Bissell	
D146,979	S	6/1947	Mangini	
D150,876	S	9/1948	Katz	
2,482,327	A	9/1949	Dawson et al.	
D156,766	S	1/1950	Redd	
D168,369	S	12/1952	Omoto	
D169,526	S	5/1953	Witzgall	
D171,043	S	12/1953	Moore	
D173,652	S	12/1954	Gerson	

(Continued)

**OTHER PUBLICATIONS**

Salt and Pepper Shakers Art Deco Vintage by RichardandRuthie, [online], items sold on Aug. 6, 2012, retrieved on Nov. 2, 2012. Retrieved from, <URL: <http://www.etsy.com/listing/79285890/salt-and-pepper-shakers-art-deco-vintage>>, 1 page.\*

(Continued)

*Primary Examiner* — Ian Simmons

*Assistant Examiner* — Shannon Weekley

(74) *Attorney, Agent, or Firm* — Griffiths & Seaton PLLC

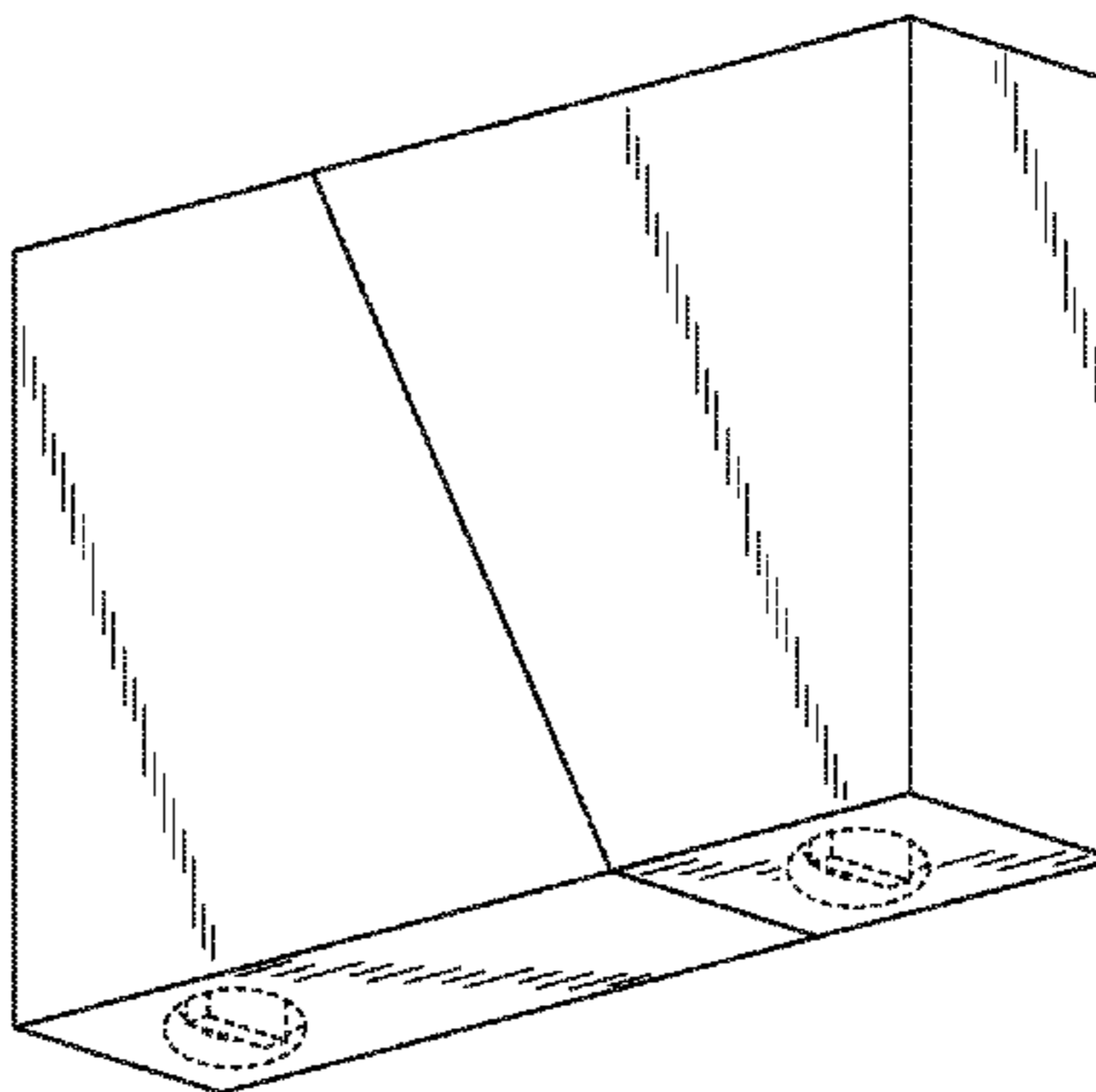
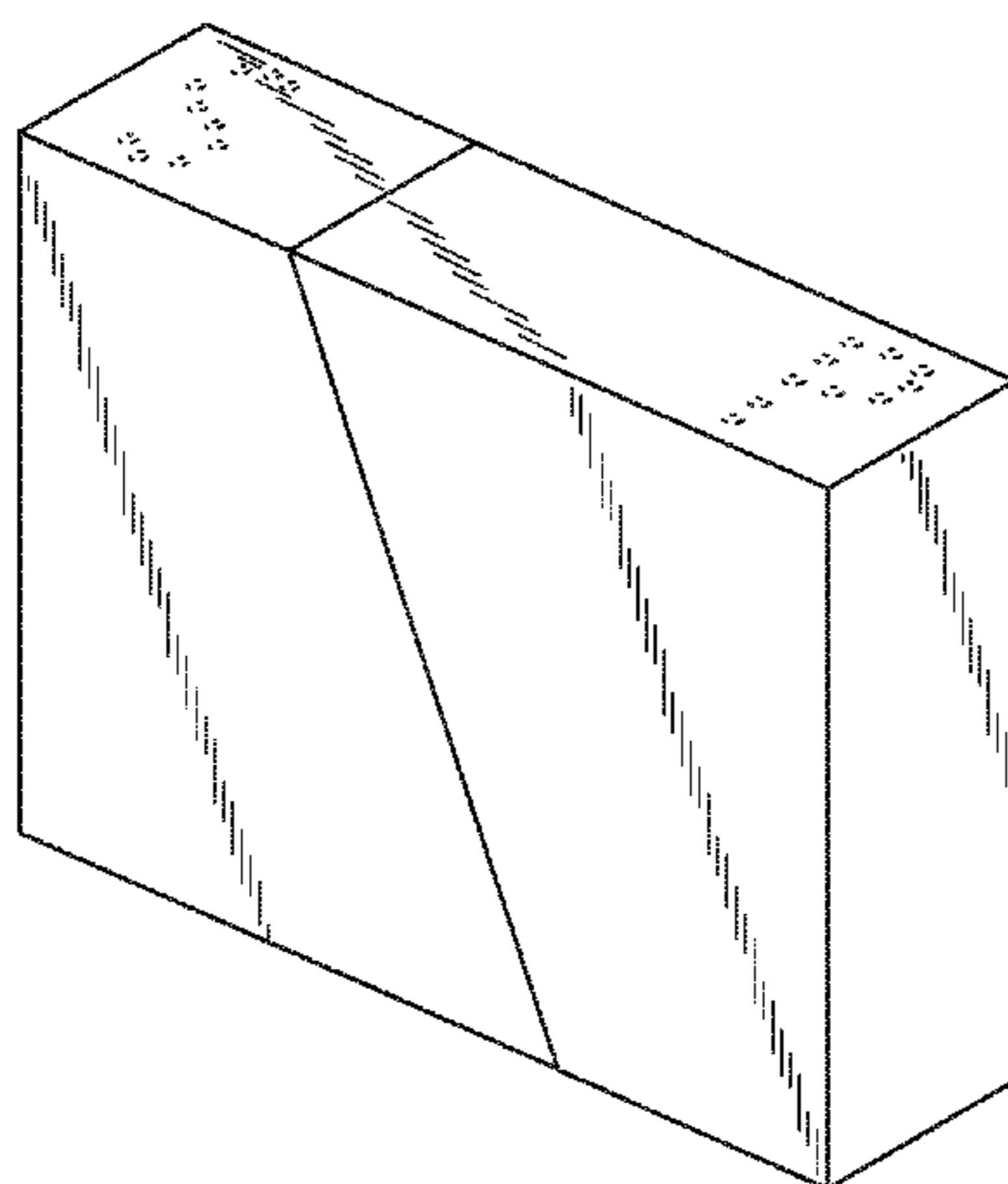
(57) **CLAIM**

The ornamental design for a condiment container set, as shown and described.

**DESCRIPTION**

FIG. 1 is a front, top perspective view of a condiment container set showing a first embodiment of our new design; FIG. 2 is a front, bottom perspective view thereof; FIG. 3 is a front view thereof; the rear view being a mirror image of the front view; FIG. 4 is a right side view thereof; FIG. 5 is a left side view thereof; FIG. 6 is a top view thereof; and FIG. 7 is a bottom view thereof. FIG. 8 is a front, top perspective view of one of the condiment containers of the condiment container set of FIG. 1; FIG. 9 is a front, bottom perspective view thereof; FIG. 10 is a front view thereof; the rear view being a mirror image of the front view; FIG. 11 is a left side view thereof; FIG. 12 is the right side view thereof; FIG. 13 is a top view thereof; and FIG. 14 is a bottom view thereof. FIG. 15 is a front, top perspective view of the other one of the condiment containers of the condiment container set of FIG. 1; FIG. 16 is a front, bottom perspective view thereof; FIG. 17 is a front view thereof; the rear view being a mirror image of the front view; FIG. 18 is a left side view thereof; FIG. 19 is the right side view thereof; FIG. 20 is a top view thereof; and FIG. 21 is a bottom view thereof. The features shown in broken lines depict portions of the condiment container set that form no part of the claimed design.

**1 Claim, 12 Drawing Sheets**



U.S. PATENT DOCUMENTS

D174,825	S	5/1955	McIntyre	
2,915,893	A *	12/1959	Wilkins	52/309.3
D194,699	S	2/1963	Telerico	
4,011,683	A *	3/1977	De Sousa	446/125
D250,446	S	12/1978	Johnson et al.	
4,193,521	A	3/1980	Bounds	
4,219,961	A *	9/1980	Stiles	446/85
4,244,509	A *	1/1981	Dlugopolski	206/509
4,537,001	A *	8/1985	Uppstrom	52/608
D287,210	S	12/1986	Bounds	
4,879,157	A *	11/1989	Pankatz	428/157
D311,113	S	10/1990	Magaraggia	
D312,190	S	11/1990	Ciaccio	
D315,381	S *	3/1991	Meyer	D21/505
D317,480	S *	6/1991	Skov et al.	D21/504
5,064,100	A *	11/1991	Mural	222/143
D335,444	S *	5/1993	Marchini	D9/544
D415,539	S *	10/1999	Rudy	D21/505
D470,017	S	2/2003	Chan	
D471,107	S *	3/2003	Rodriguez	D9/739
D531,857	S	11/2006	Thomas	

OTHER PUBLICATIONS

4 oz Stainless Steel Embracing Salt and Pepper Shaker Set, [online], commented on May 2012, retrieved on Nov. 2, 2012. Retrieved from, <URL: <http://www.webstaurantstore.com/4-oz-stainless-steel-embracing-salt-and-pepper-shaker-set/124SPDX11.html>>, 1 page.\*

Vintage Chrome Salt and Pepper Shaker Pair Mid by mothrasue, [online], retrieved on Nov. 2, 2012. Retrieved from, <URL: <http://www.etsy.com/listing/80283601/vintage-chrome-salt-and-pepper-shaker>>, 1 page.\*

CR4—Blog Entry: Pyramids: Newsletter Challenge, [online], posted on Aug. 19, 2007, retrieved on Nov. 2, 2012. Retrieved from, <URL:

<http://cr4.globalspec.com/blogentry/2897/pyramids-newsletter-challenge-08-21-07?Pg=3>>, 1 page.\*

Google Image Result for rectangular prism sliced in two parts from photobucket.com, [online], image taken on Apr. 11, 2011, retrieved on Nov. 2, 2012. Retrieved from, <URL: <http://www.google.com/imgres?q=rectangular+prism+sliced+in+two+parts&start=188...>>, 1 page.\*

Google Image Result for building blocks from make-baby-stuff.com, [online], image taken on Feb. 10, 2008, retrieved on Nov. 2, 2012. Retrieved from, <URL: <http://www.google.com/imgres?q=building+blocks+make+baby+stuff&um=1&hl=en&safe=...>>, 1 page.\*

Google Image Result for wooden blocks from barclaywoods.com, [online], image taken on Nov. 2, 2004, retrieved on Nov. 2, 2012. Retrieved from, <URL: <http://www.google.com/imgres?q=wooden+blocks+triangular+booster+pack&um=1&hl=en&...>>, 1 page.\*

Selected Student Work—Salt and Pepper Shakers, [online], captured on Aug. 25, 2010, retrieved on Nov. 3, 2012. Retrieved from, <URL: <http://web.archive.org/web/20100825162458/http://www.frenchdesignstudio.com/page2/page5/page5.html>>, 1 page.\*

Geometric Shape Salt and Pepper Shakers, [online], posted on Apr. 22, 2012, retrieved on Nov. 3, 2012. Retrieved from, <URL: <http://www.etsy.com/listing/54144619/geometric-shape-salt-and-pepper-shakers>>, 1 page.\*

Google Image Search of salt and pepper shakers from antiqueplazamesa.com, [online], image posted on Nov. 20, 2011, retrieved on Nov. 3, 2012. Retrieved from, <URL: <http://www.google.com/imgres?q=geometric+shaped+salt+and+pepper+shaker&star...>>, 1 page.\*

\* cited by examiner

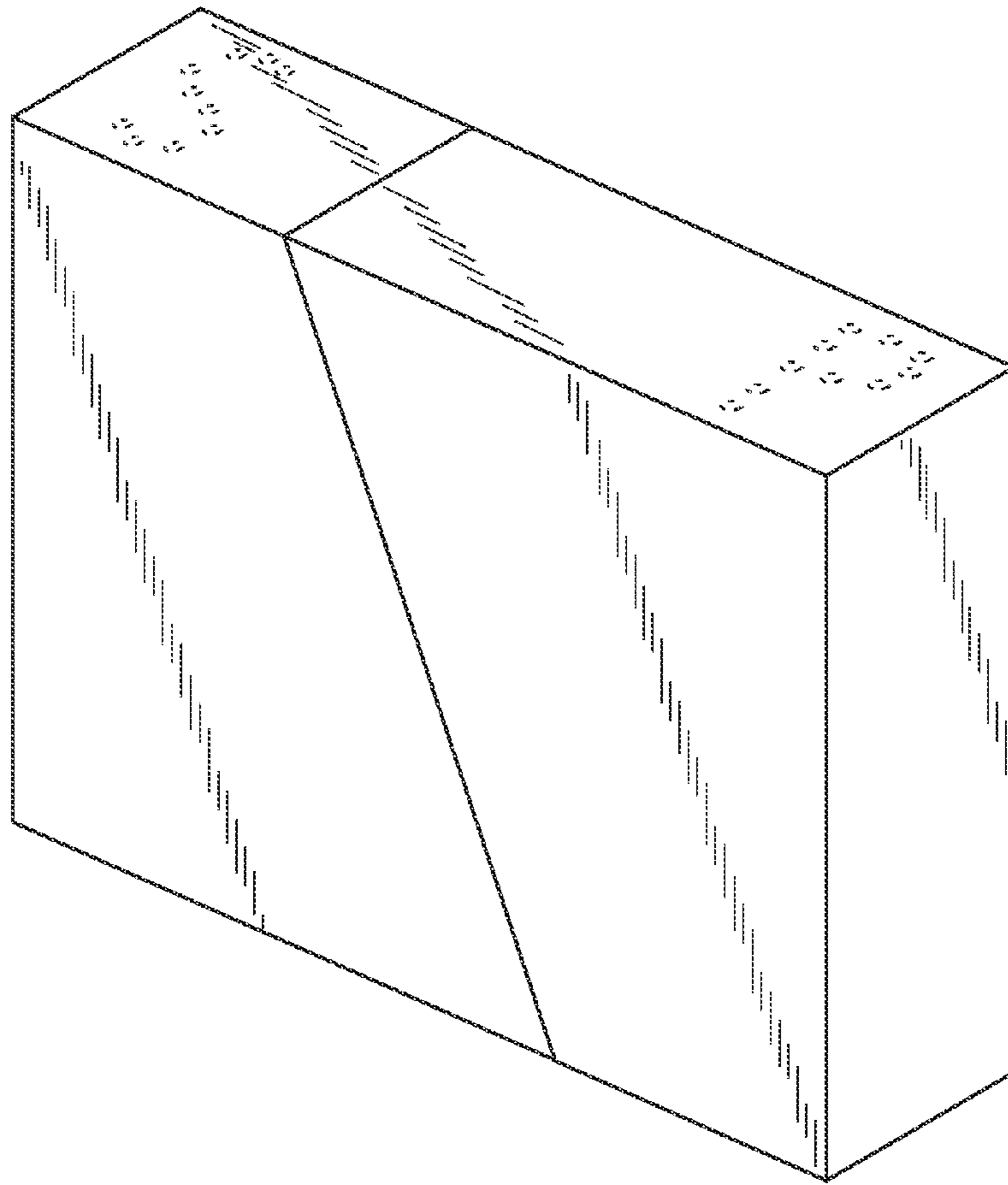


FIG. 1

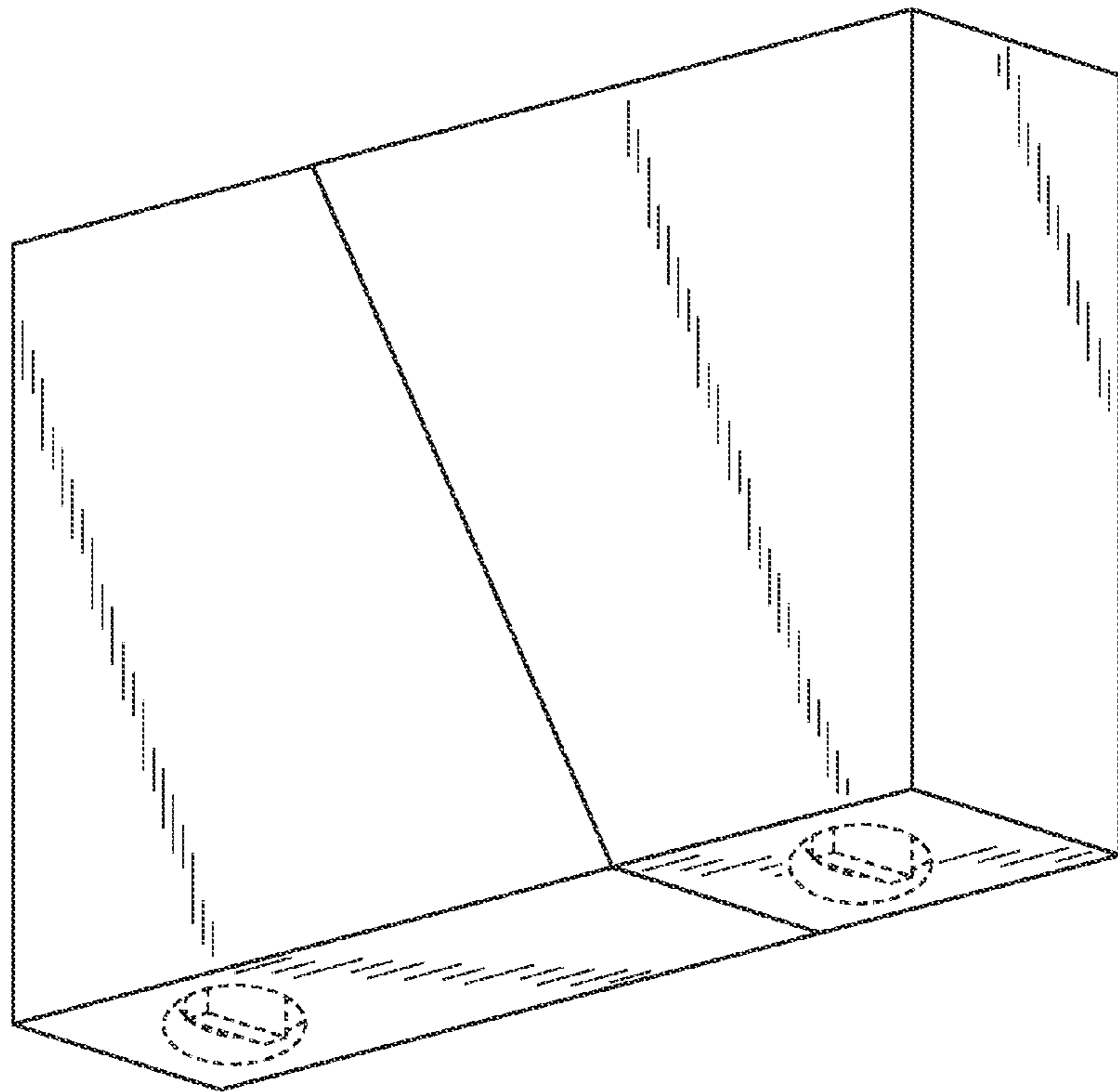


FIG. 2

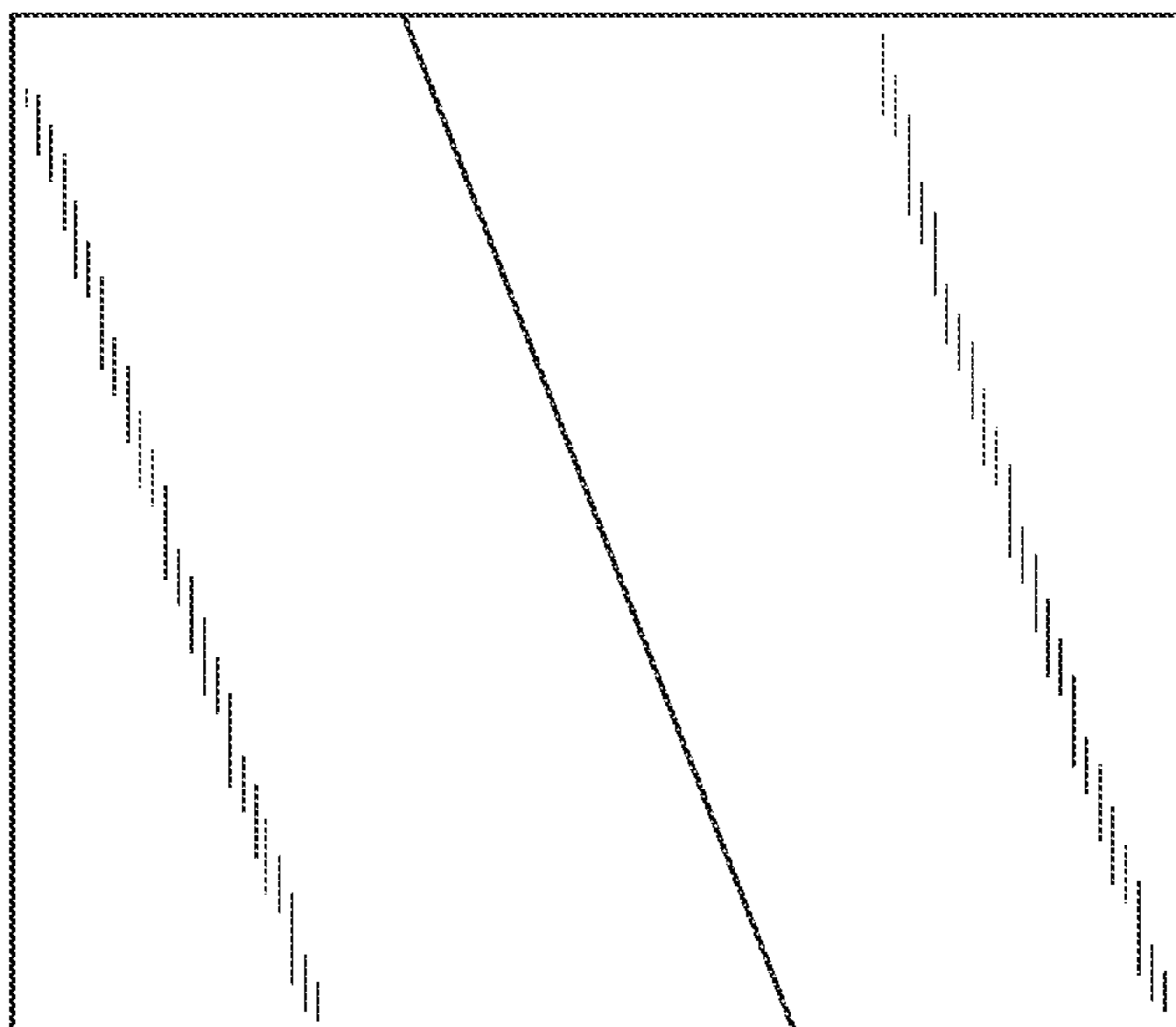


FIG. 3



FIG. 4



FIG. 5

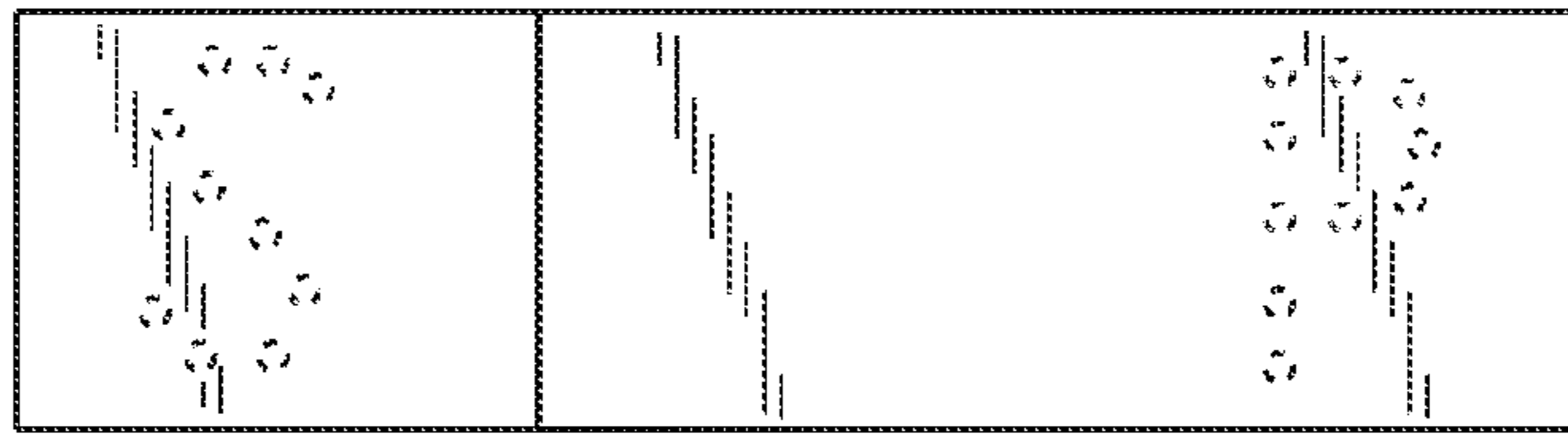


FIG. 6

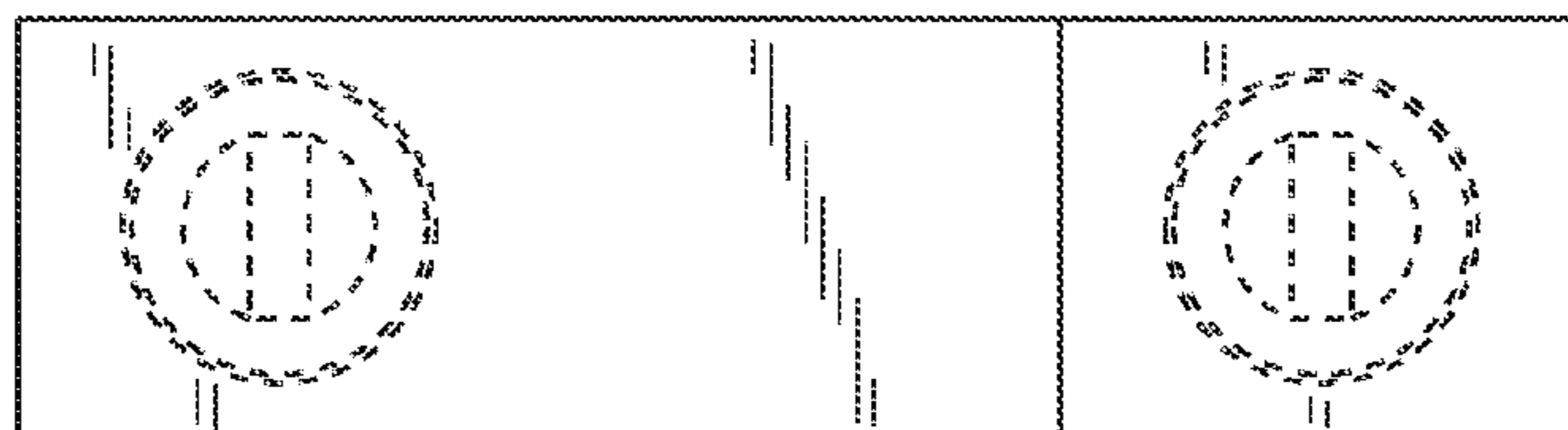


FIG. 7

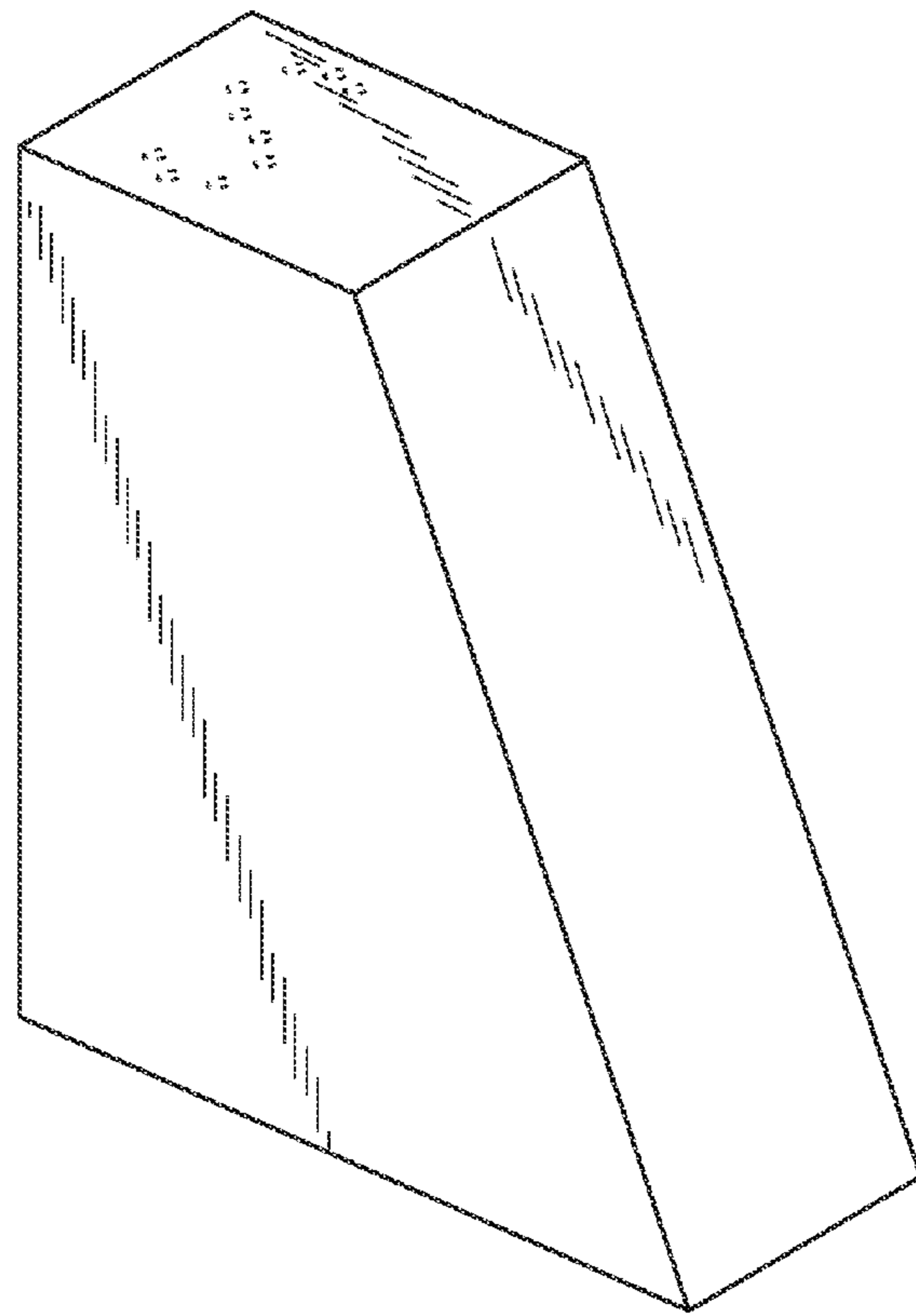


FIG. 8

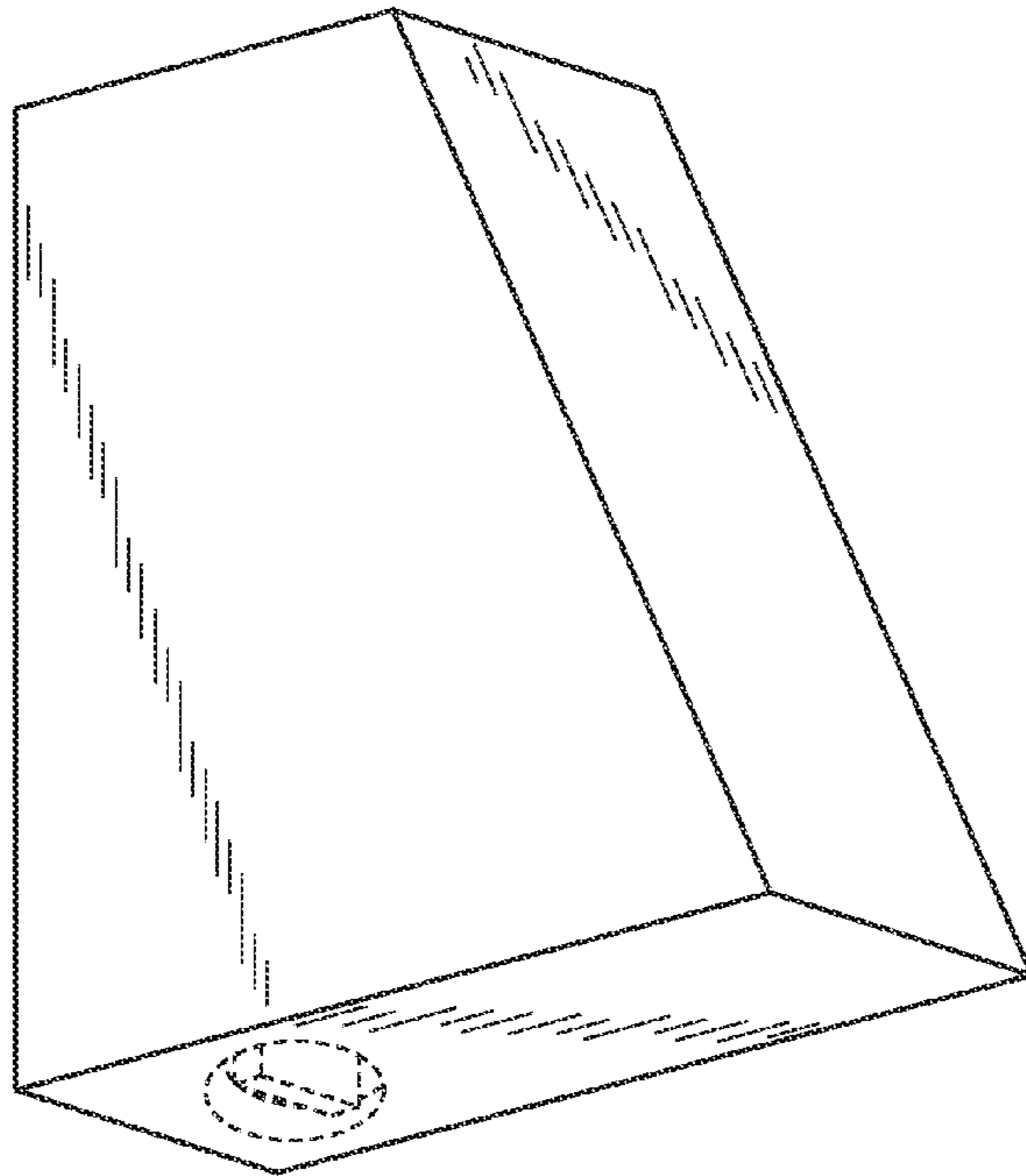


FIG. 9



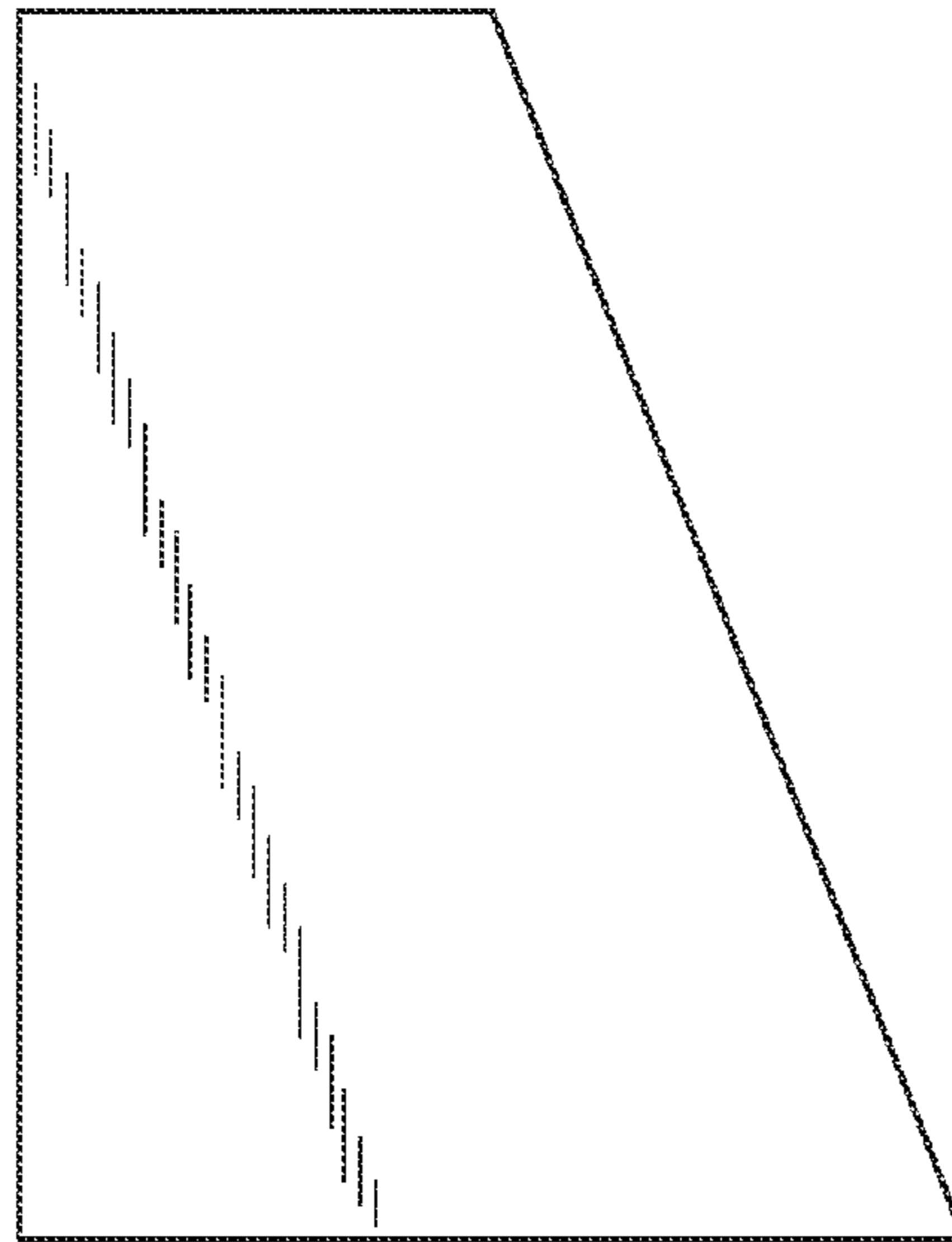


FIG. 10

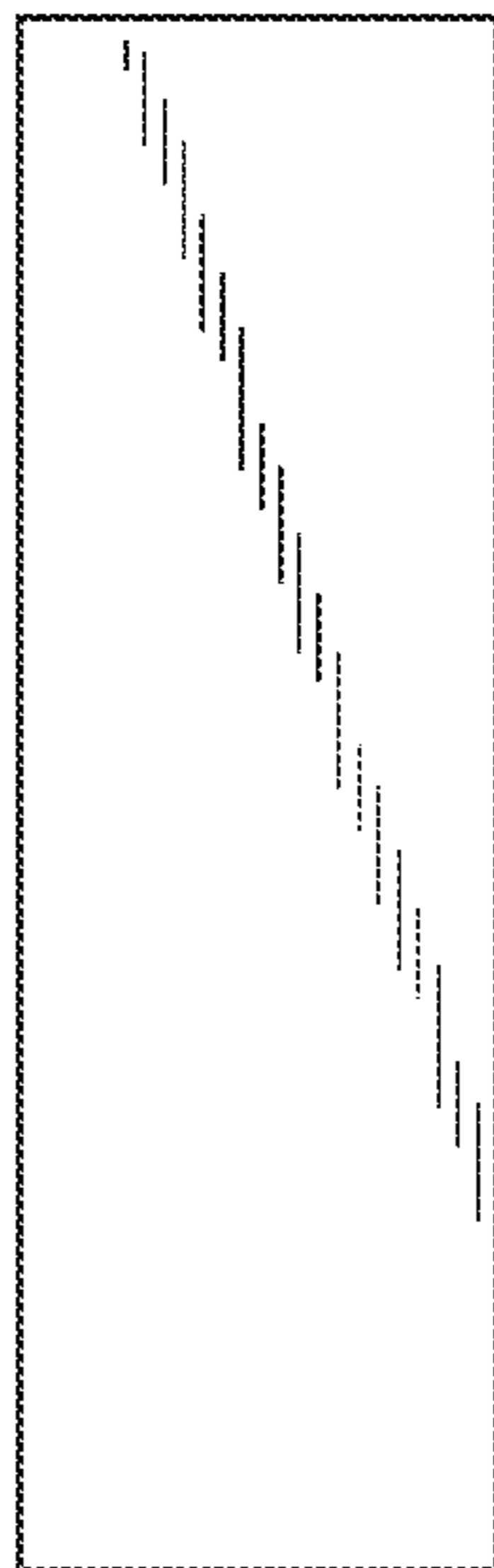


FIG. 11

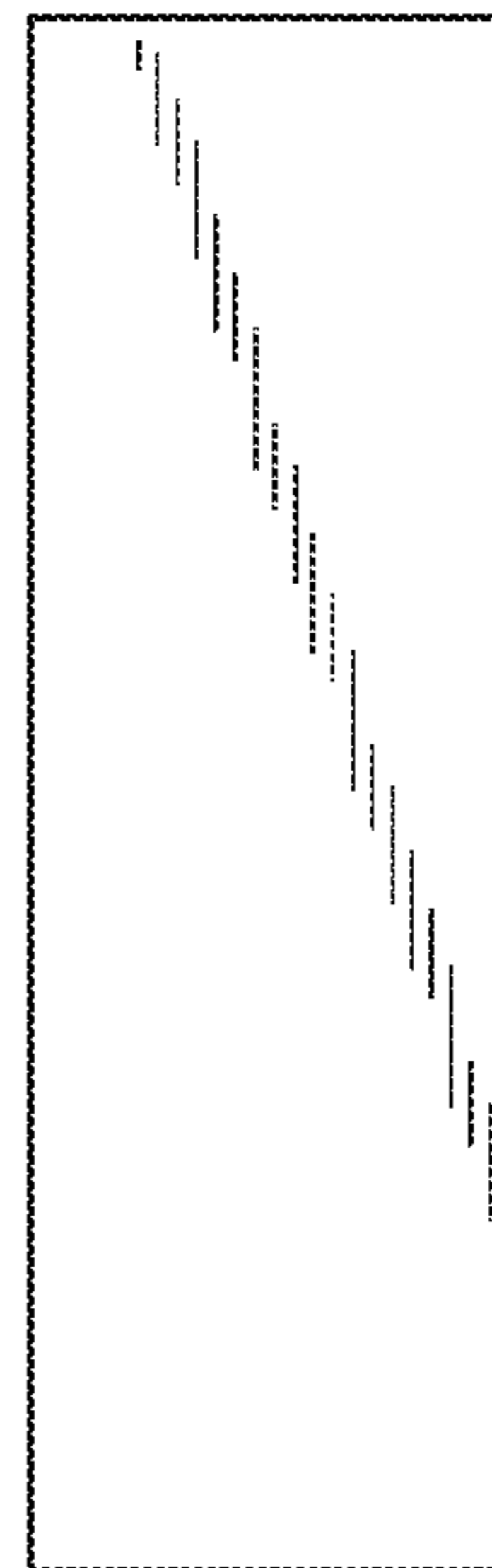


FIG. 12

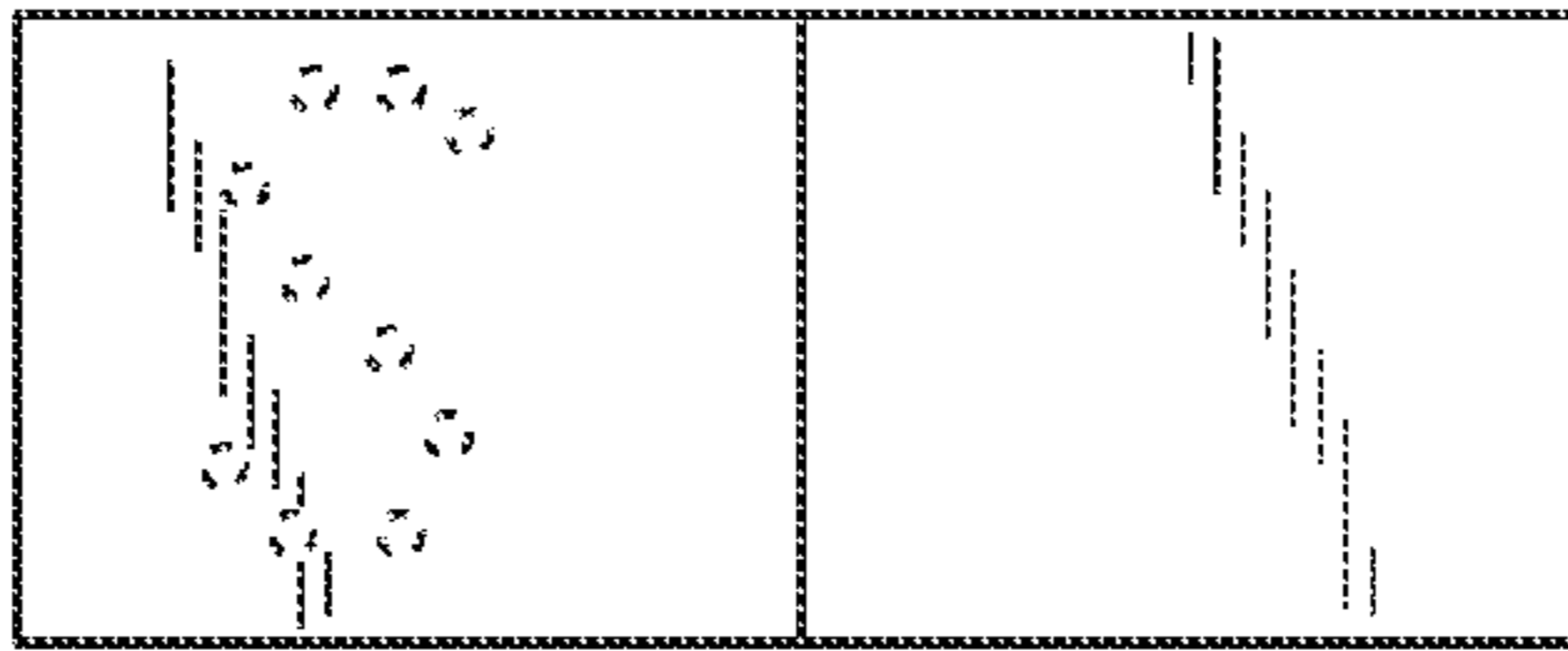


FIG. 13

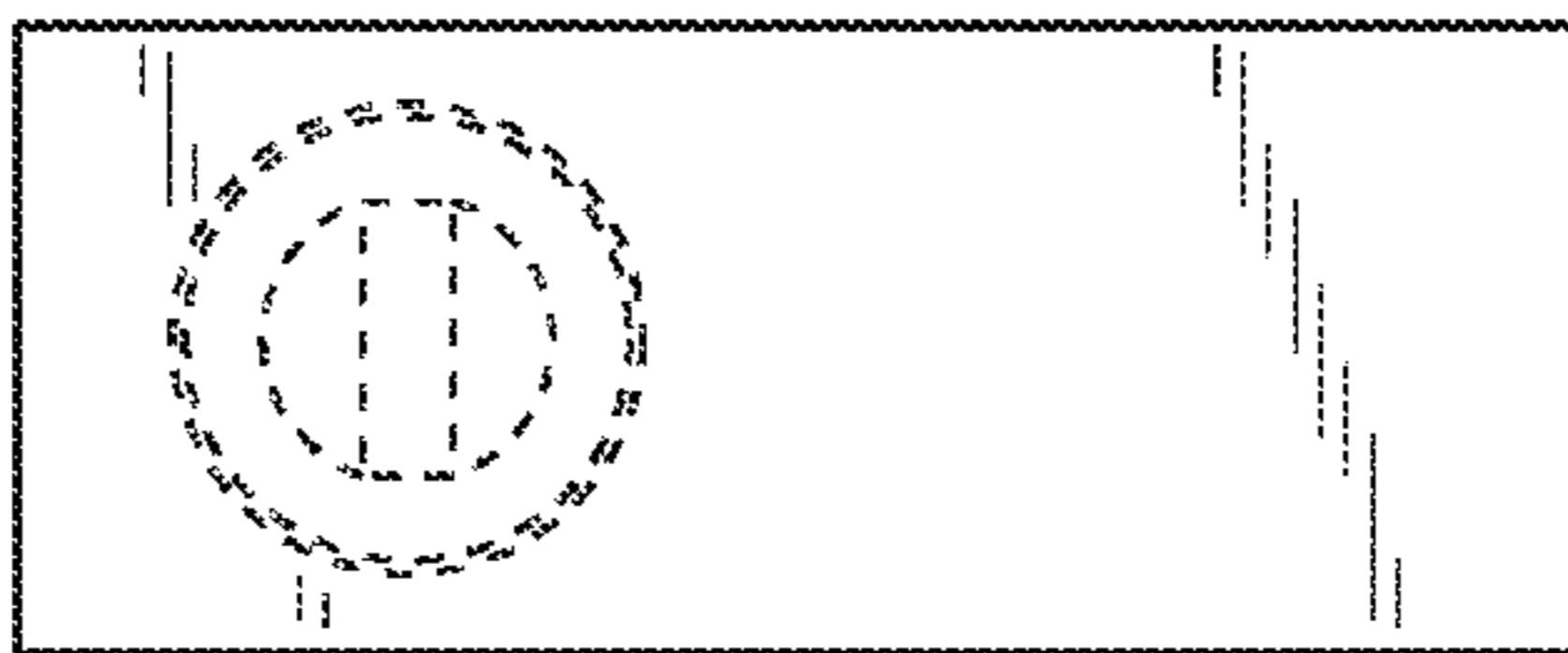


FIG. 14

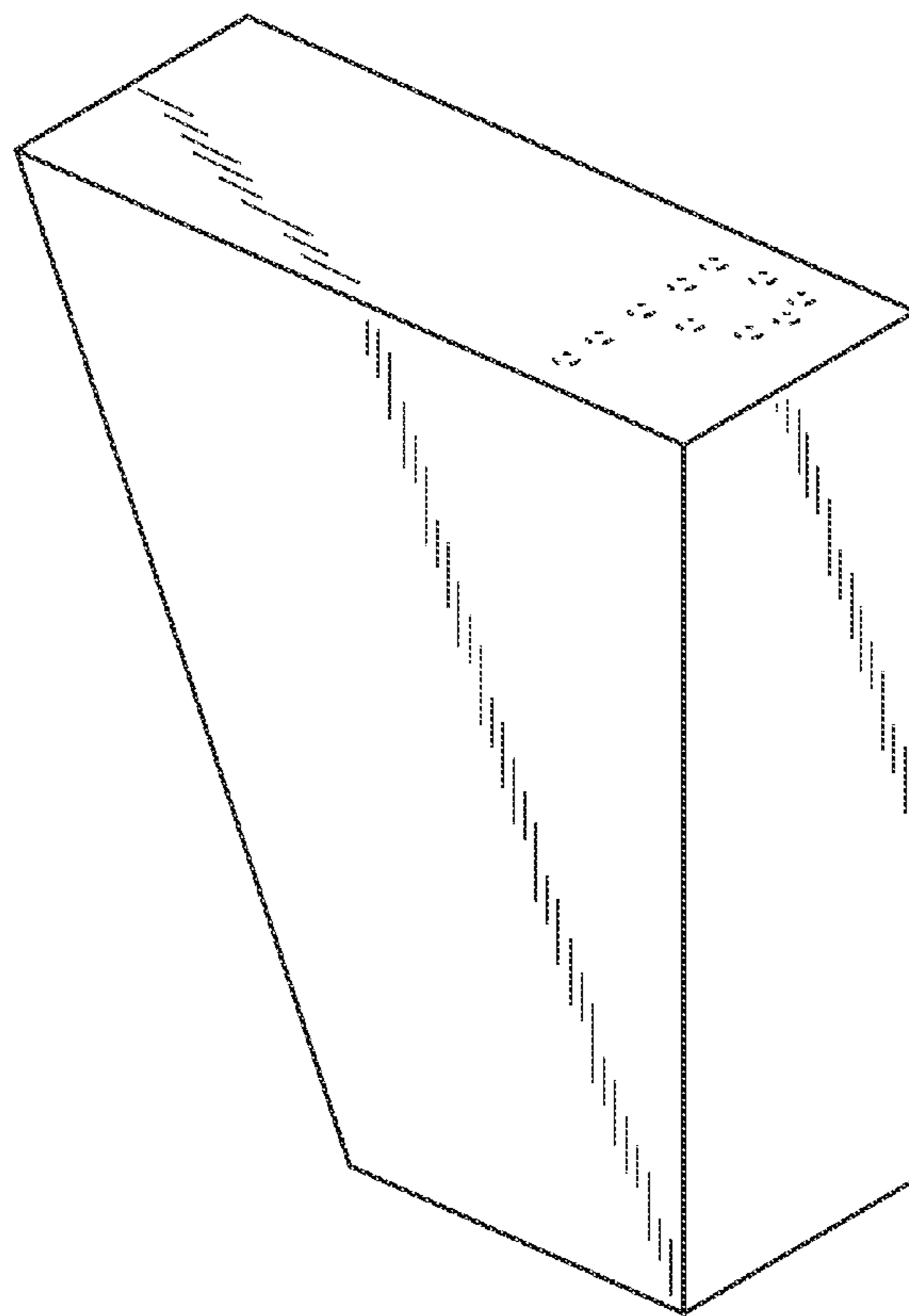


FIG. 15

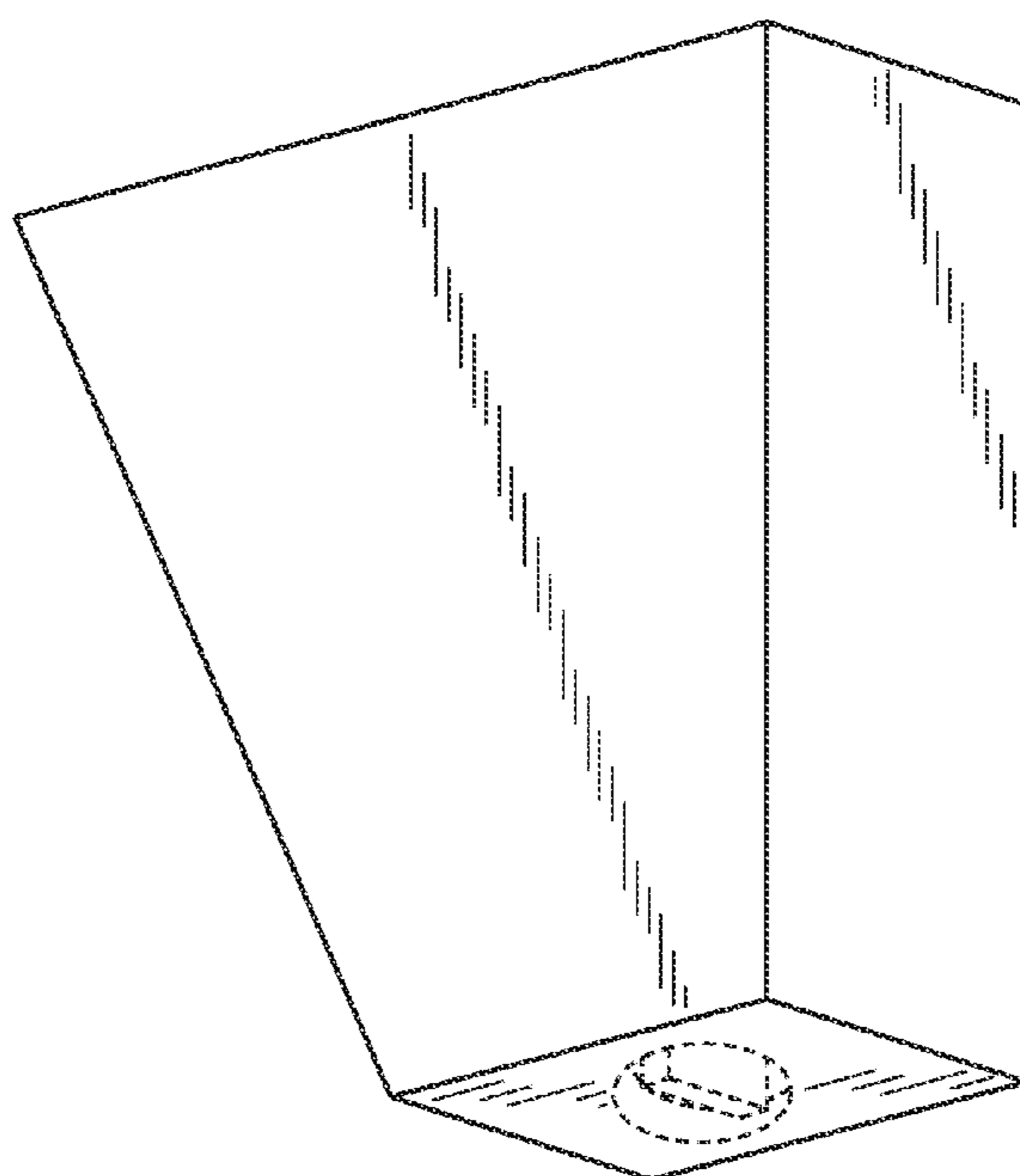


FIG. 16

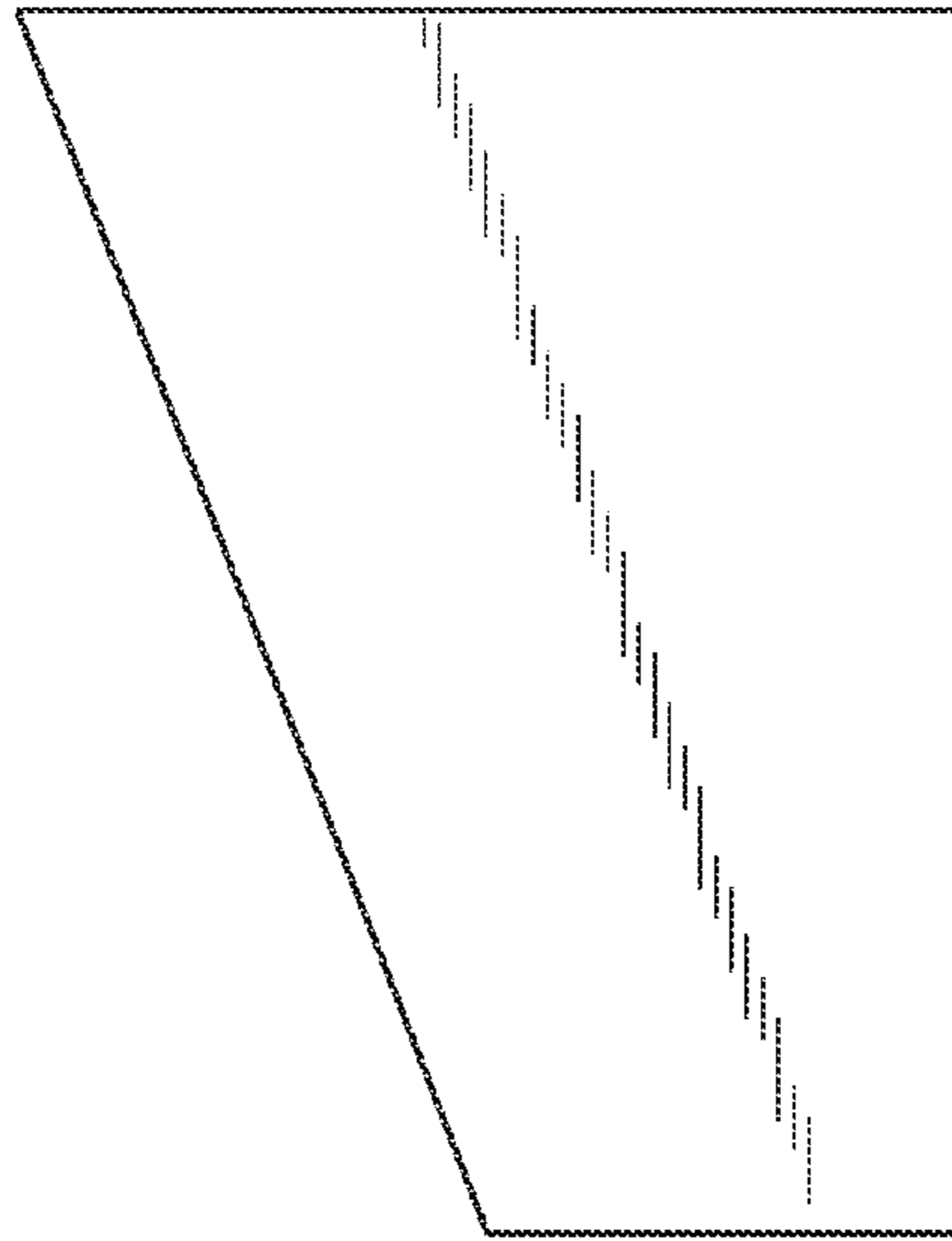


FIG. 17

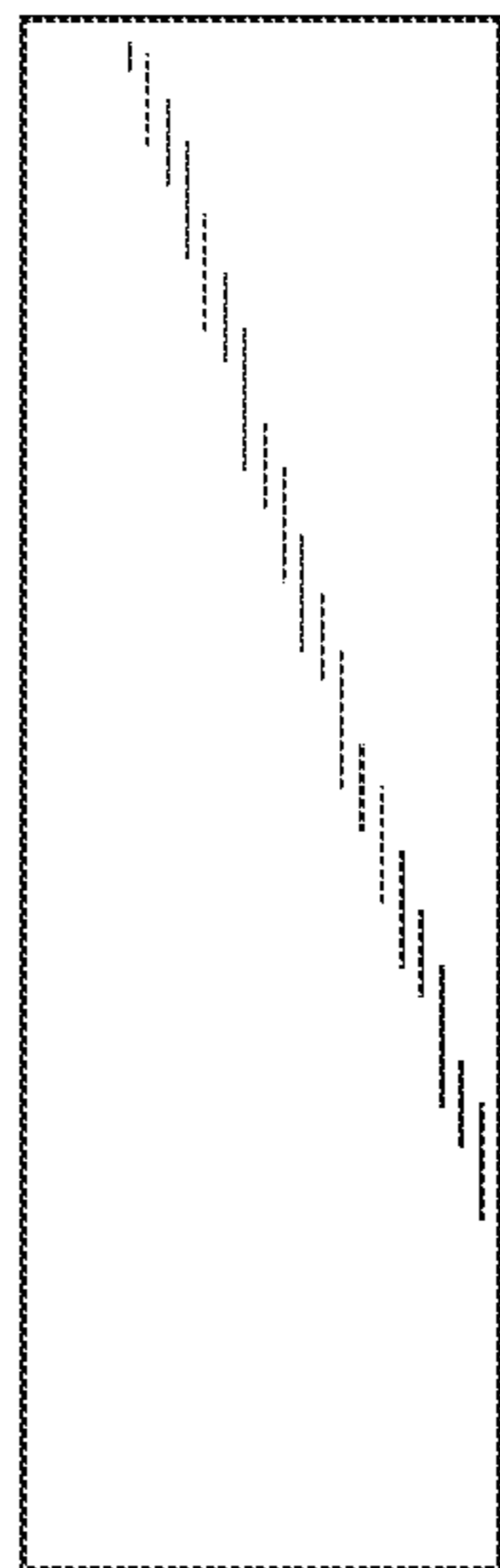


FIG. 18



FIG. 19



FIG. 20

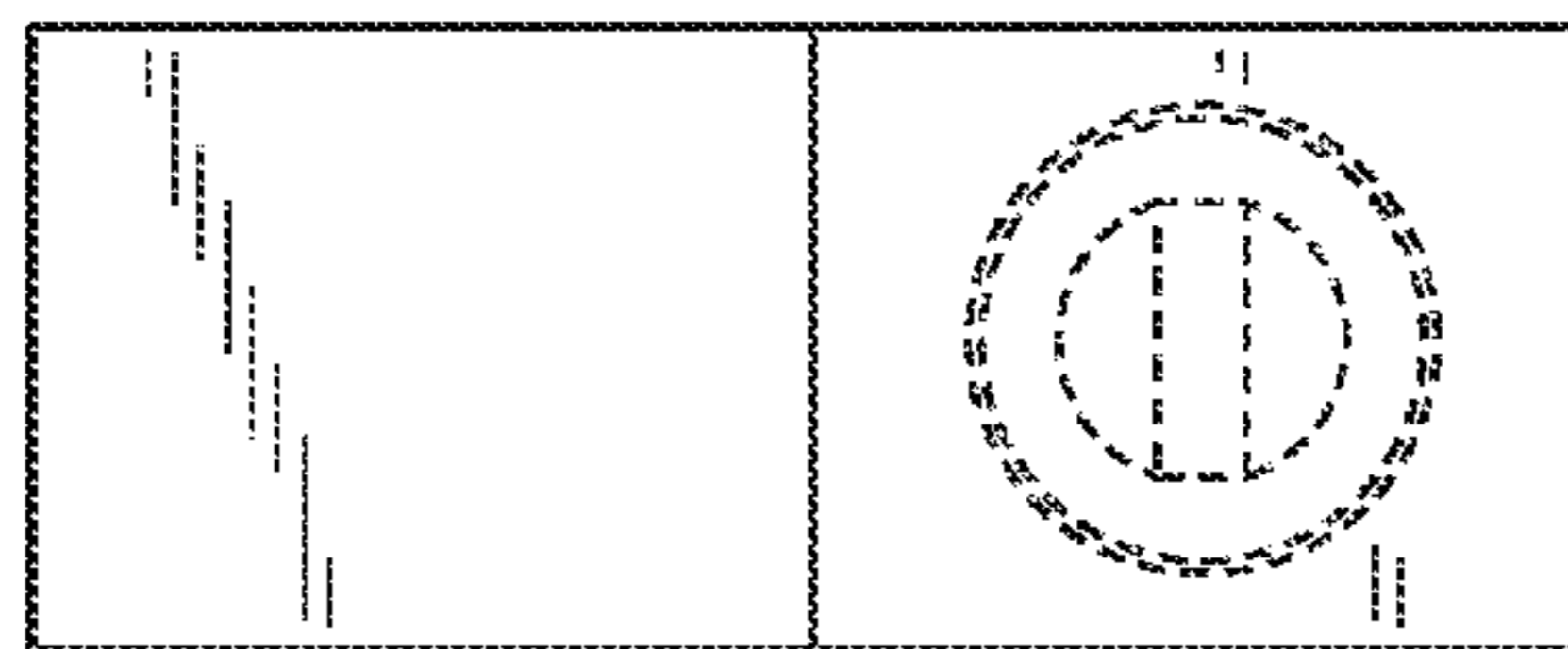


FIG. 21