



US00D675482S

(12) **United States Design Patent**
Heggestad et al.

(10) **Patent No.:** **US D675,482 S**

(45) **Date of Patent:** **** Feb. 5, 2013**

(54) **FOLDABLE SHOT GLASS**

(75) Inventors: **Marcus Heggestad**, Mentor, OH (US);
Brian Vitagliano, Concord, OH (US)

(73) Assignee: **Heggestad Creations, Ltd**, Mentor, OH (US)

(**) Term: **14 Years**

(21) Appl. No.: **29/394,924**

(22) Filed: **Jun. 23, 2011**

(51) **LOC (9) Cl.** **07-01**

(52) **U.S. Cl.** **D7/512; D7/536; D7/532; D7/400**

(58) **Field of Classification Search** **D7/400,**

D7/399, 387, 309-311, 300, 306-308, 512,

D7/532, 536; 99/299, 295, 279, 323, 302 R,

99/317; 222/129.1; 220/8, 703; D10/46.2

See application file for complete search history.

(56) **References Cited**

U.S. PATENT DOCUMENTS

1,098,873	A *	6/1914	Allen	198/669
D91,251	S *	12/1933	Rettich	D10/46.2
D188,614	S *	8/1960	Neilhaus	D7/532
3,285,459	A *	11/1966	Gahm	220/8
D219,474	S *	12/1970	Gahm	D7/512
D220,203	S *	3/1971	Gahm	D7/512
D220,204	S *	3/1971	Gahm	D7/512
D259,461	S *	6/1981	Daenen et al.	D10/46.2
4,377,191	A *	3/1983	Yamaguchi	220/665
D272,794	S *	2/1984	Dart	D7/532
5,439,128	A *	8/1995	Fishman	220/8
D412,448	S *	8/1999	Bentson	D10/46.2

D483,225	S *	12/2003	Gain	D7/512
D514,886	S *	2/2006	Kingsley	D7/532
D544,303	S *	6/2007	Strepkoff	D7/512
D550,036	S *	9/2007	Holcomb et al.	D7/512
D588,947	S *	3/2009	Curtin	D10/46.2
D624,433	S *	9/2010	Murray	D9/643
D648,190	S *	11/2011	Steiner et al.	D7/691

* cited by examiner

Primary Examiner — Marianne Pandozzi

(74) *Attorney, Agent, or Firm* — Renner Kenner Greive
Bobak Taylor & Weber

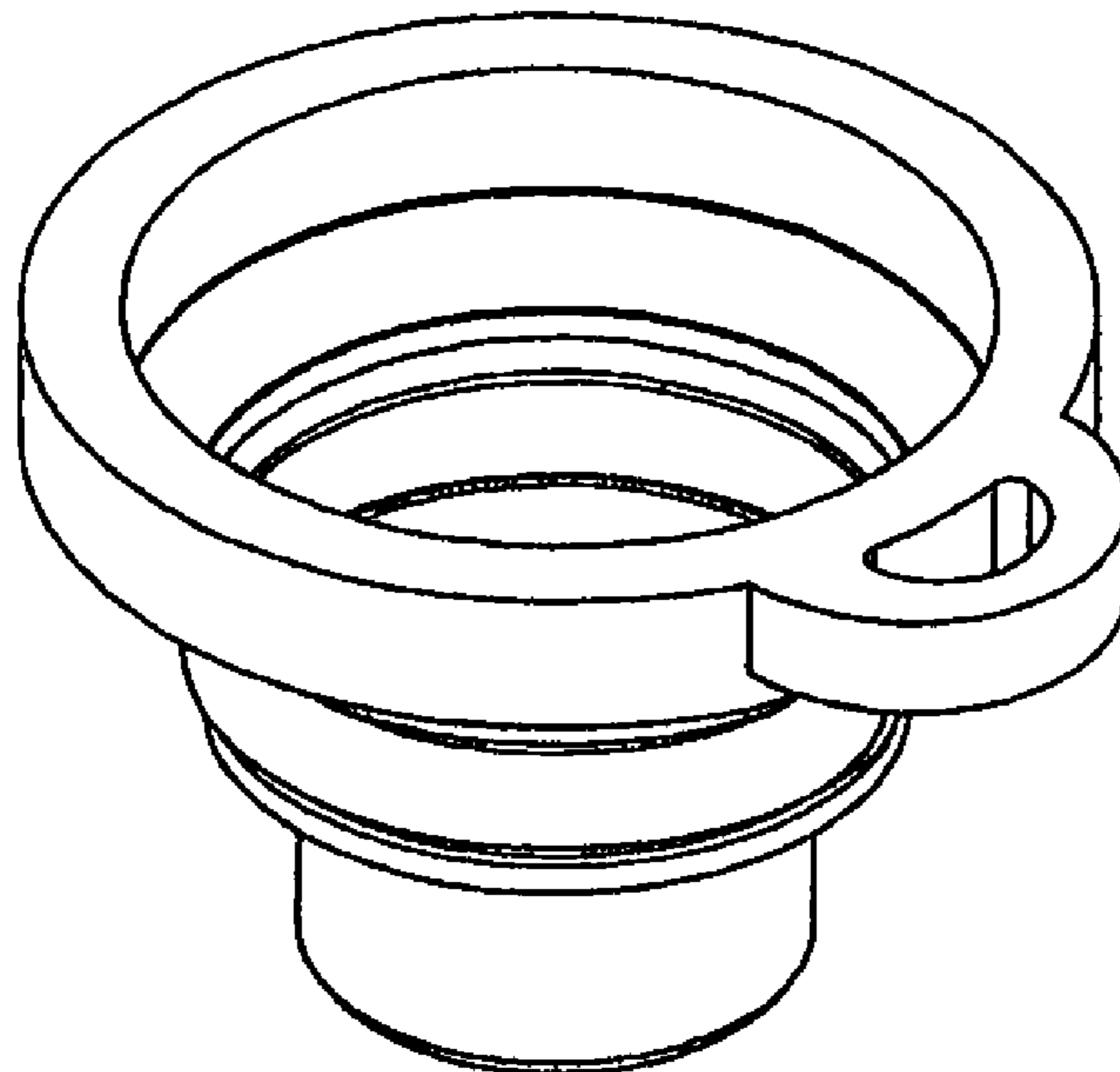
(57) **CLAIM**

The ornamental design for a foldable shot glass, as shown and described.

DESCRIPTION

FIG. 1 is a perspective view of a foldable shot glass showing our new design in an expanded condition; FIG. 2 is a side elevational view thereof; FIG. 3 is a front elevational view thereof; FIG. 4 is a rear elevational view thereof; FIG. 5 is a top plan view thereof; FIG. 6 is a bottom plan view thereof; FIG. 7 is a perspective view of the foldable shot glass showing our new design in a collapsed condition; FIG. 8 is a side elevational view thereof; FIG. 9 is a front elevational view thereof; FIG. 10 is a rear elevational view thereof; FIG. 11 is a top plan view thereof; and, FIG. 12 is a bottom plan view thereof.

1 Claim, 2 Drawing Sheets



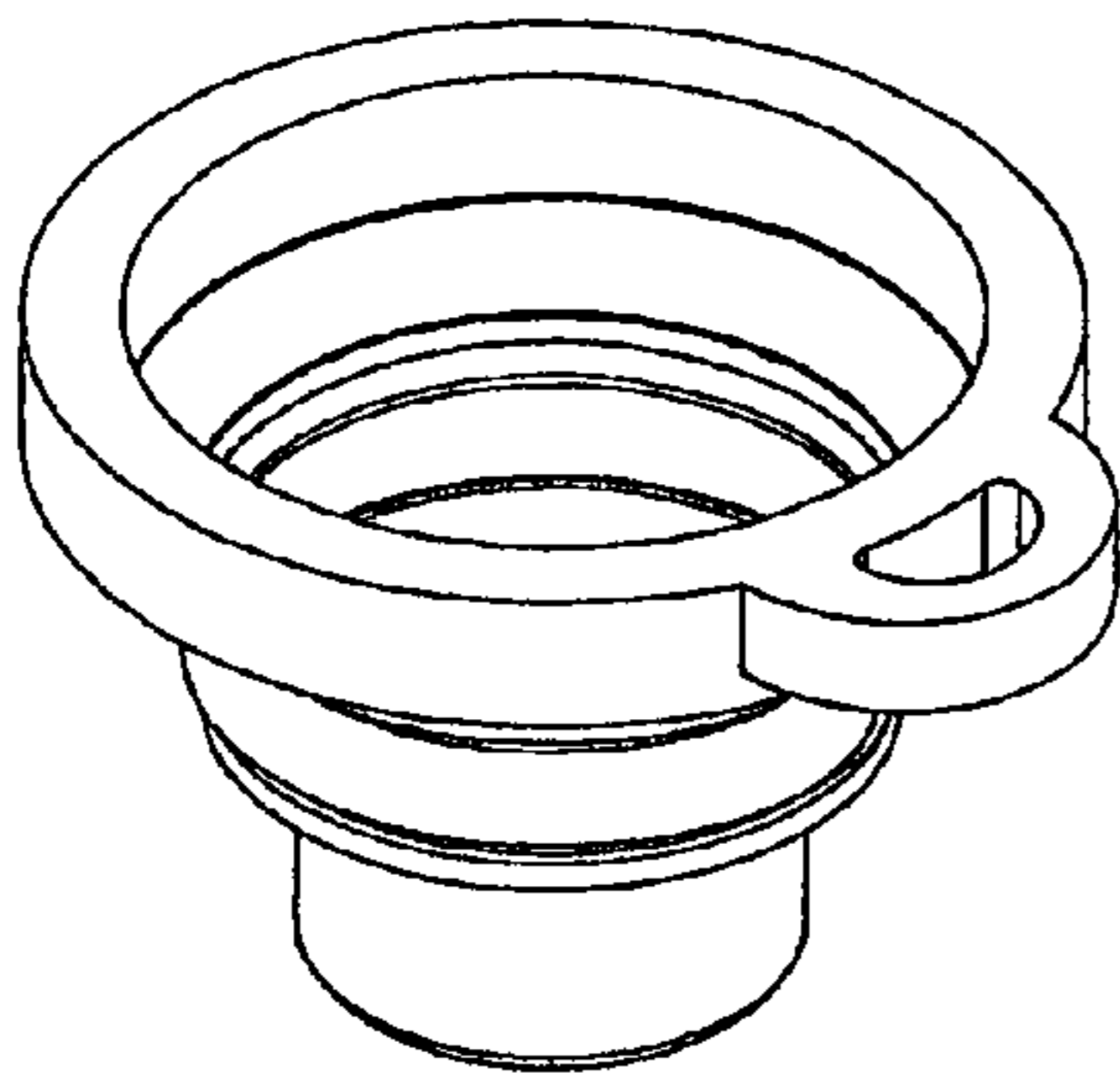


Fig 1

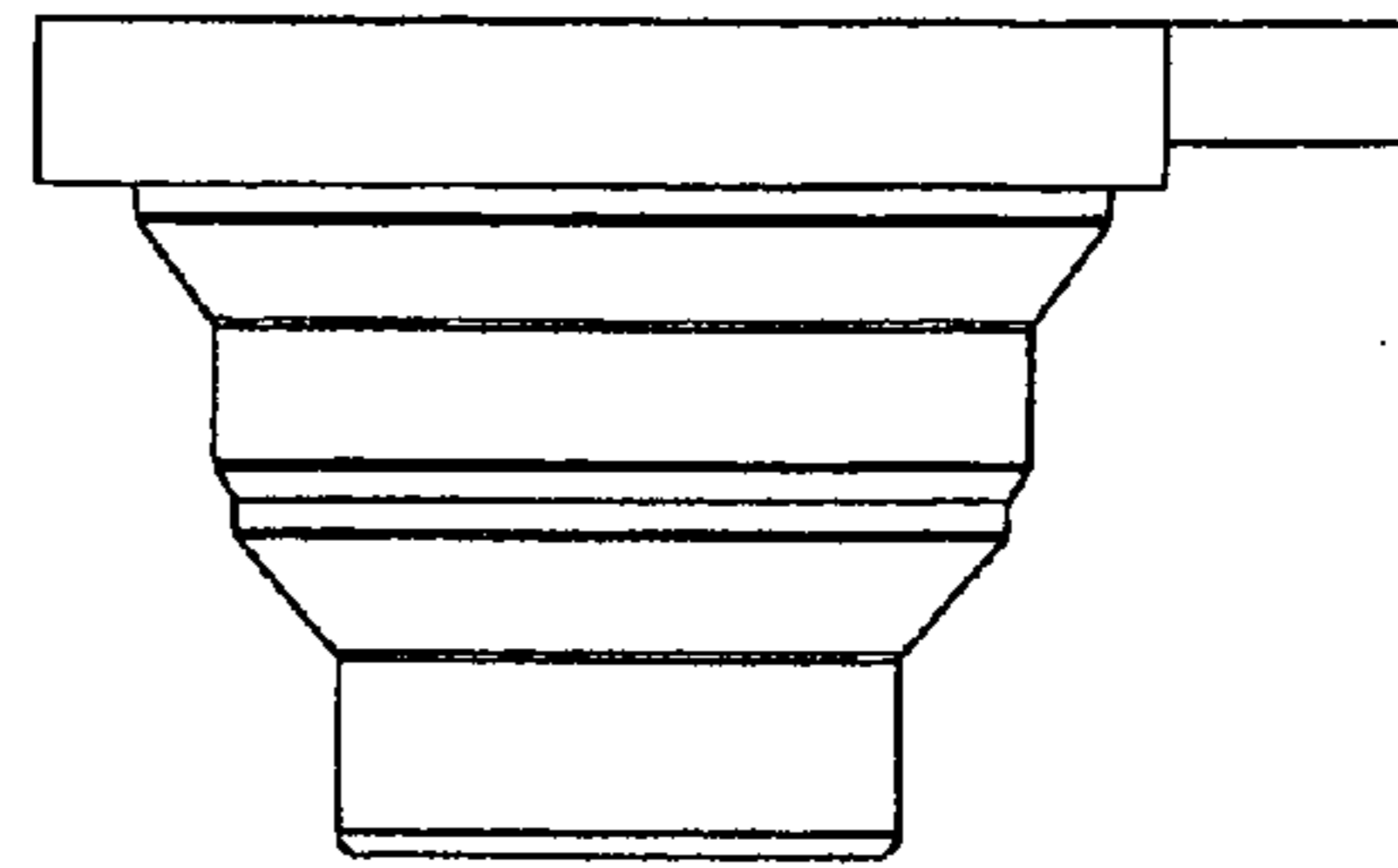


Fig 2

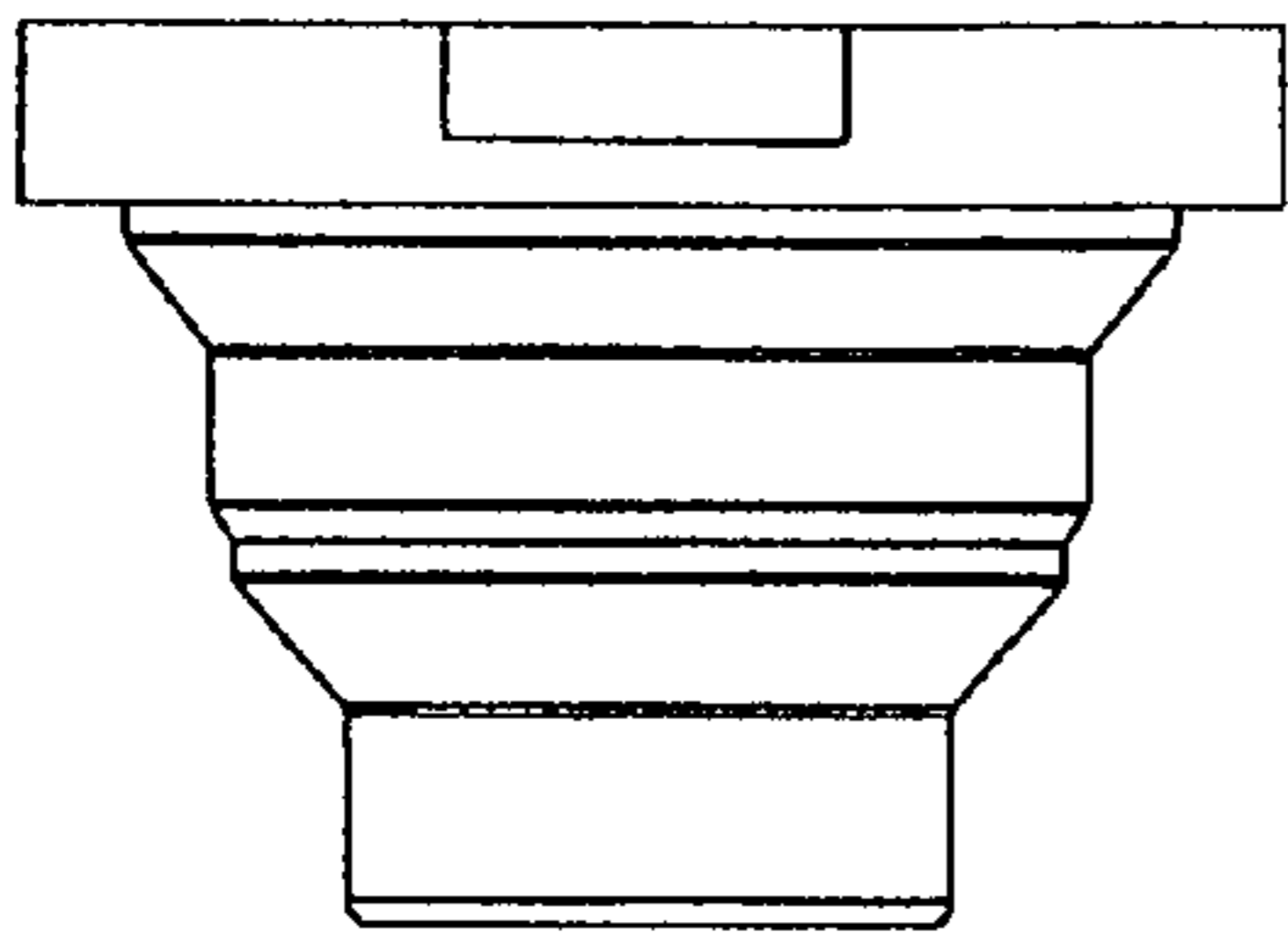


Fig 3

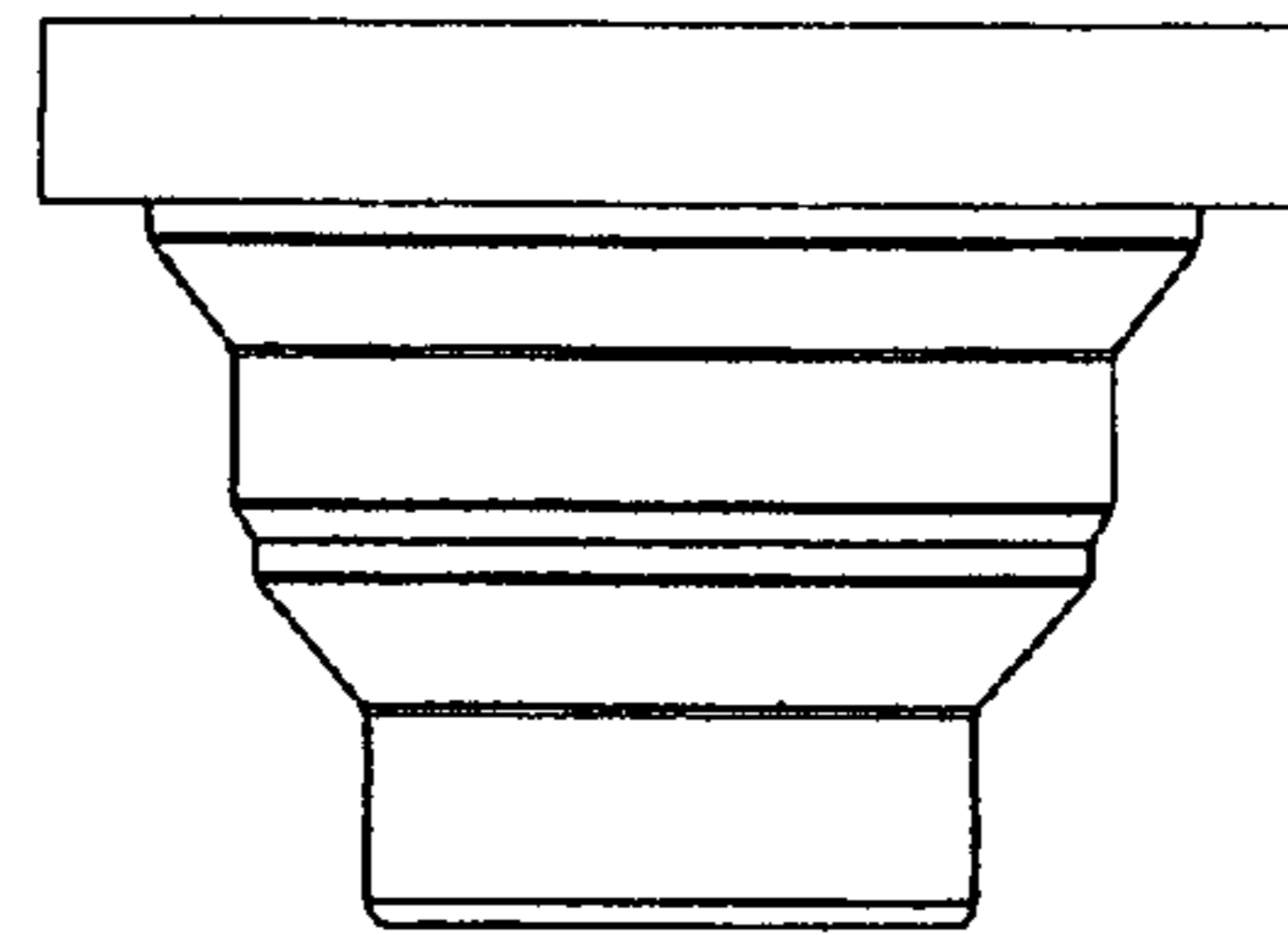


Fig 4

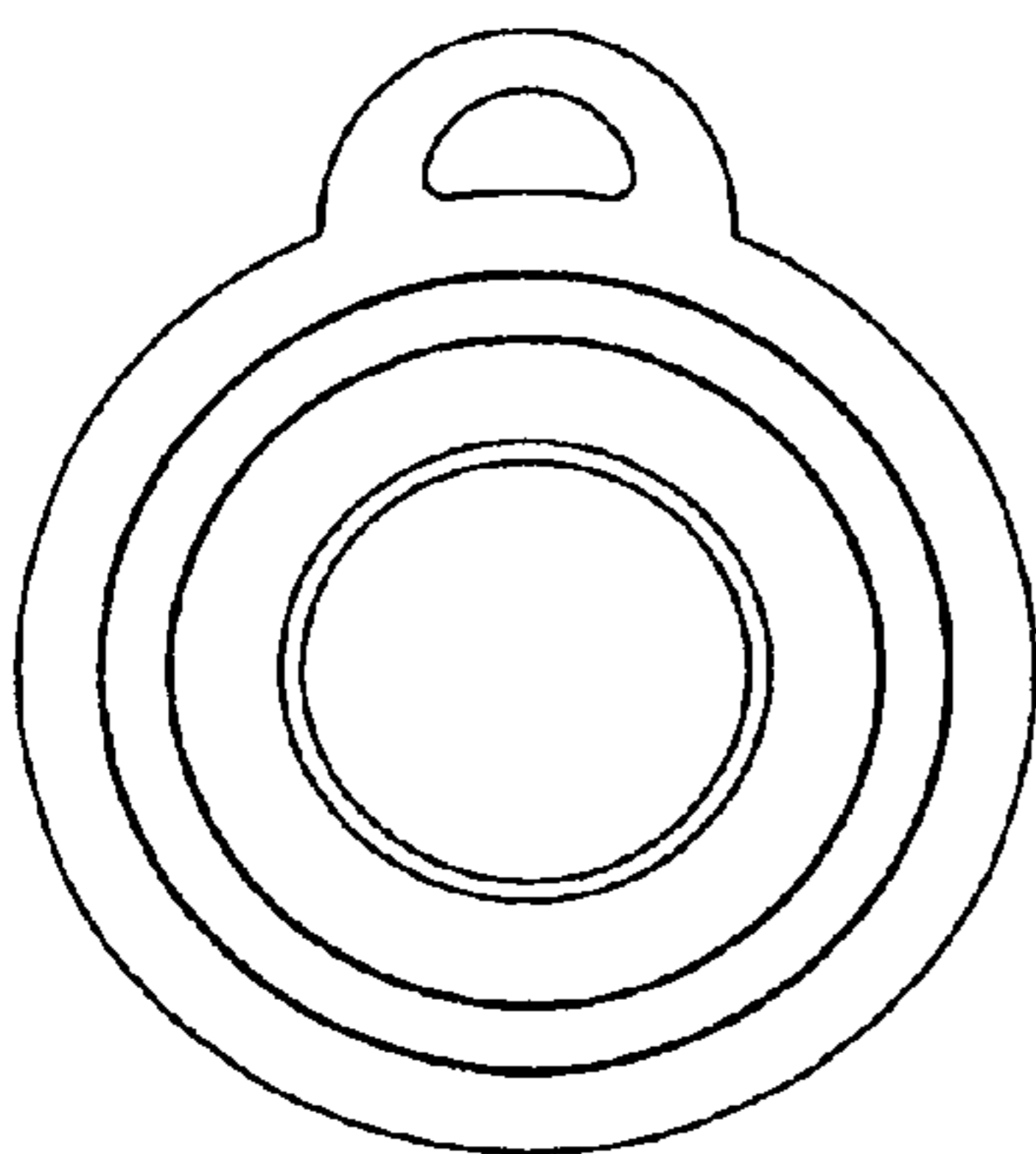


Fig 5

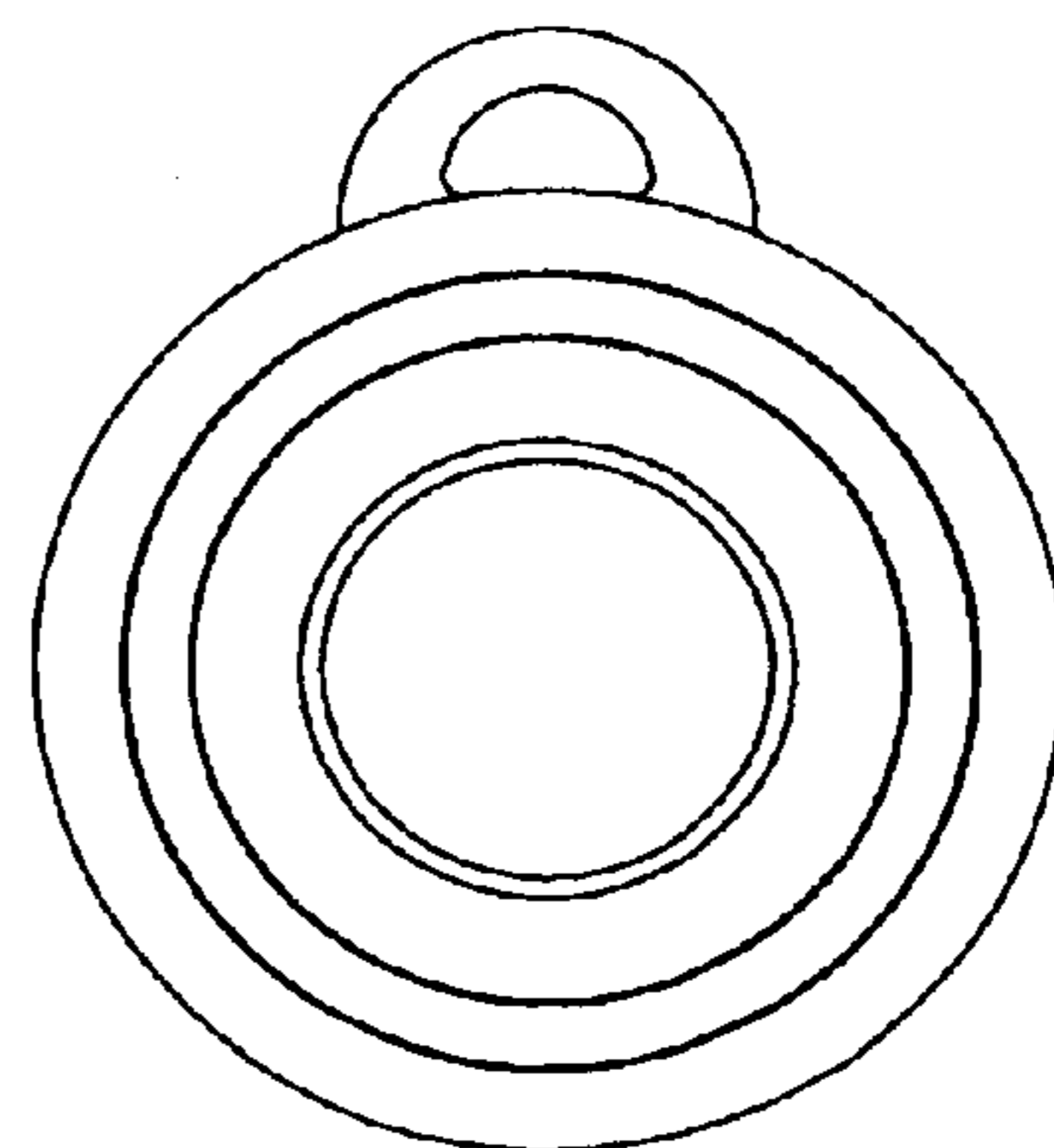


Fig 6

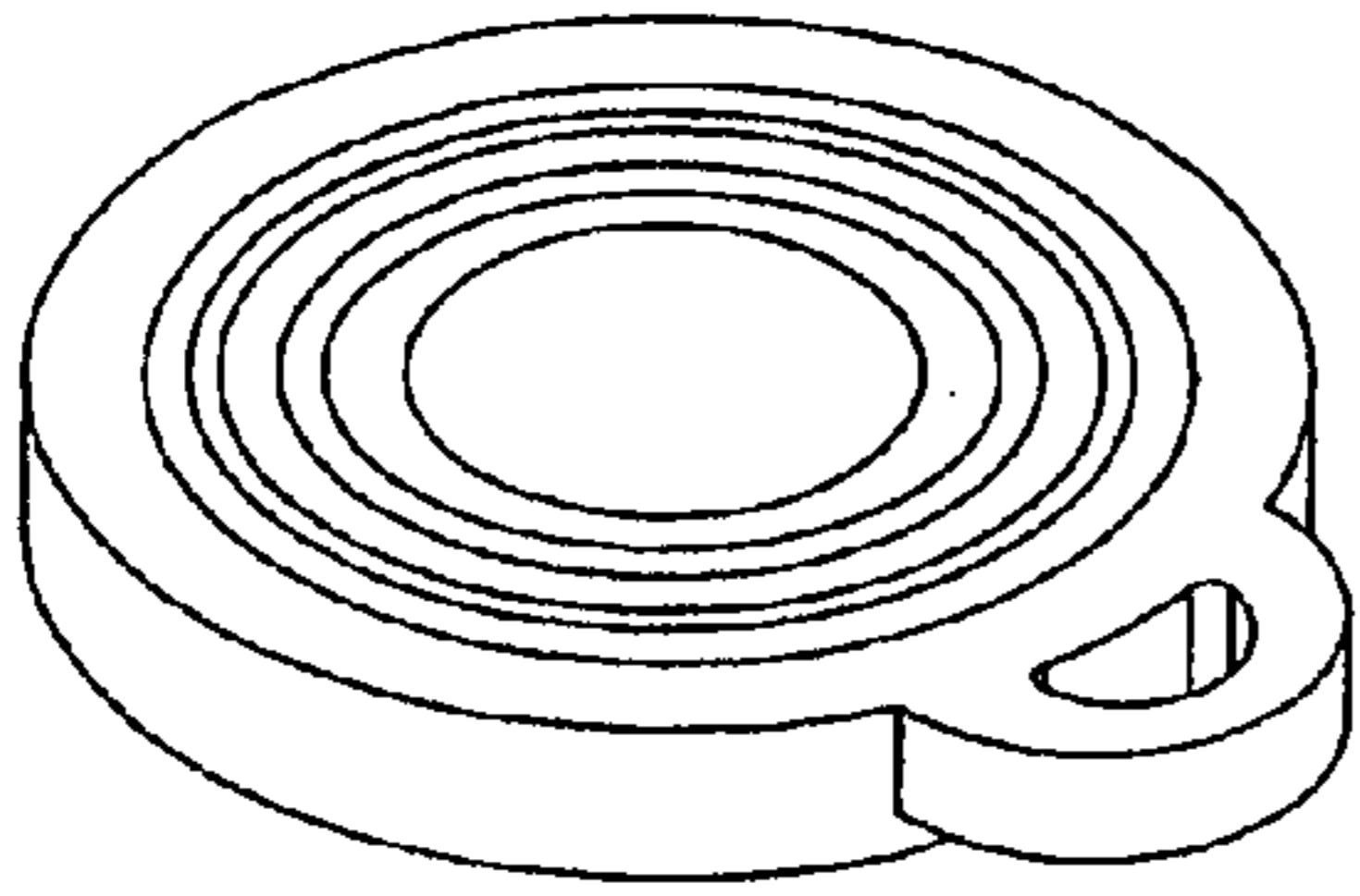


Fig 7

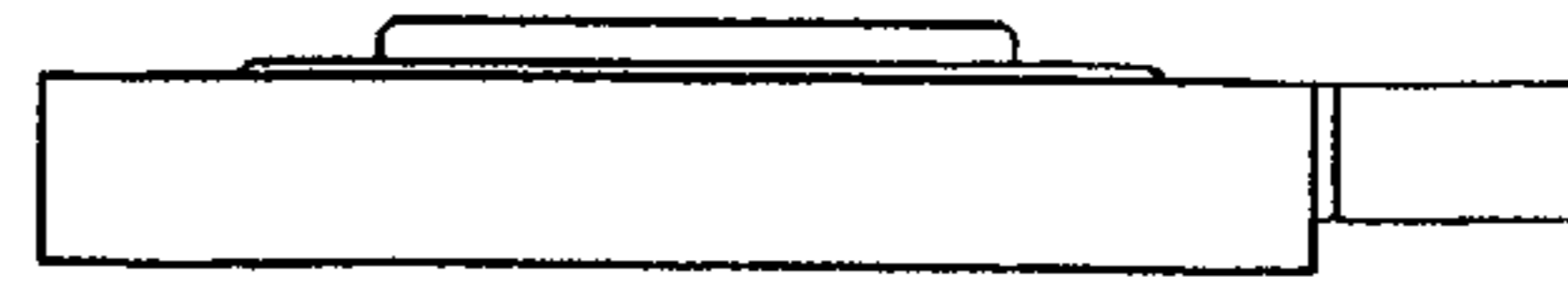


Fig 8

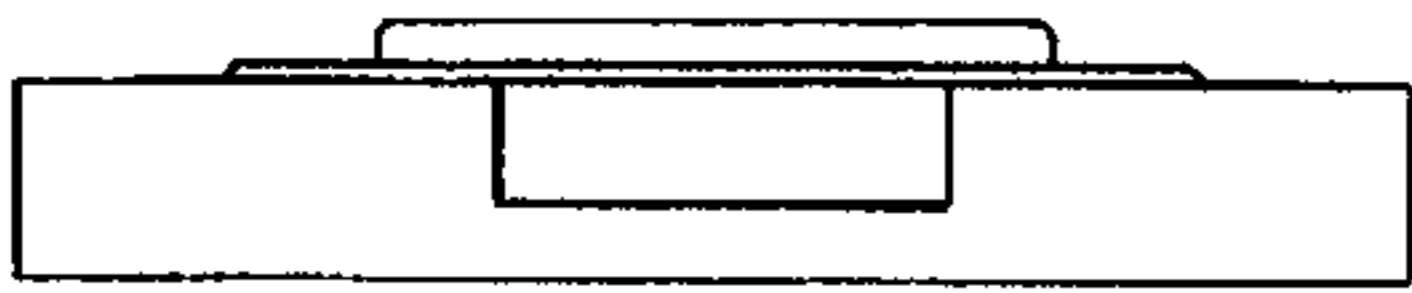


Fig 9

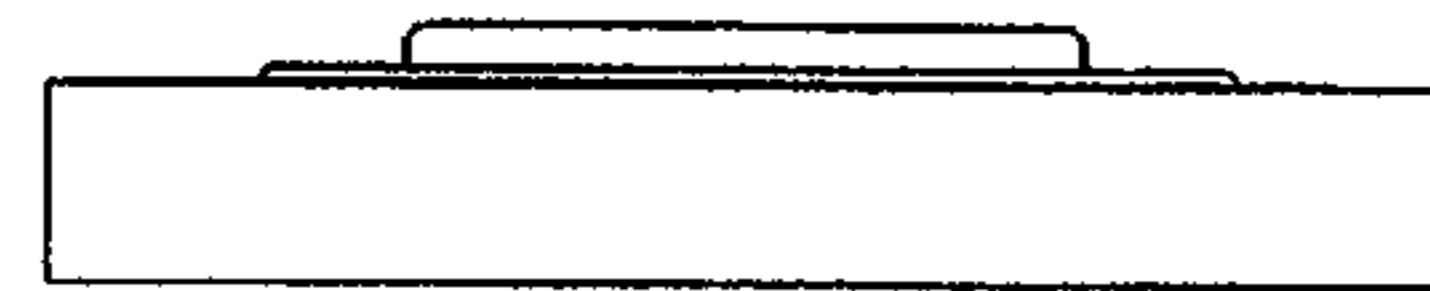


Fig 10

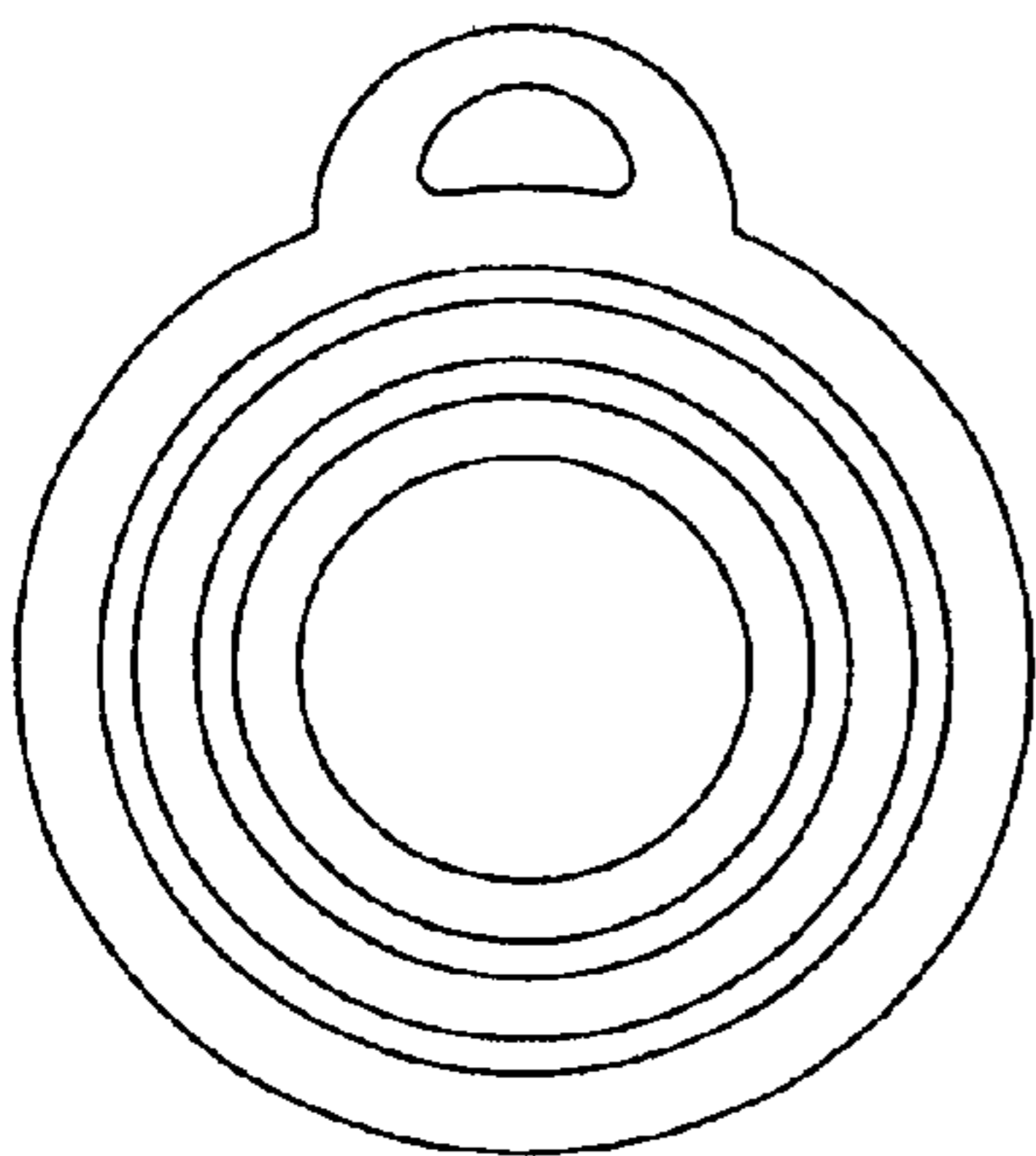


Fig 11

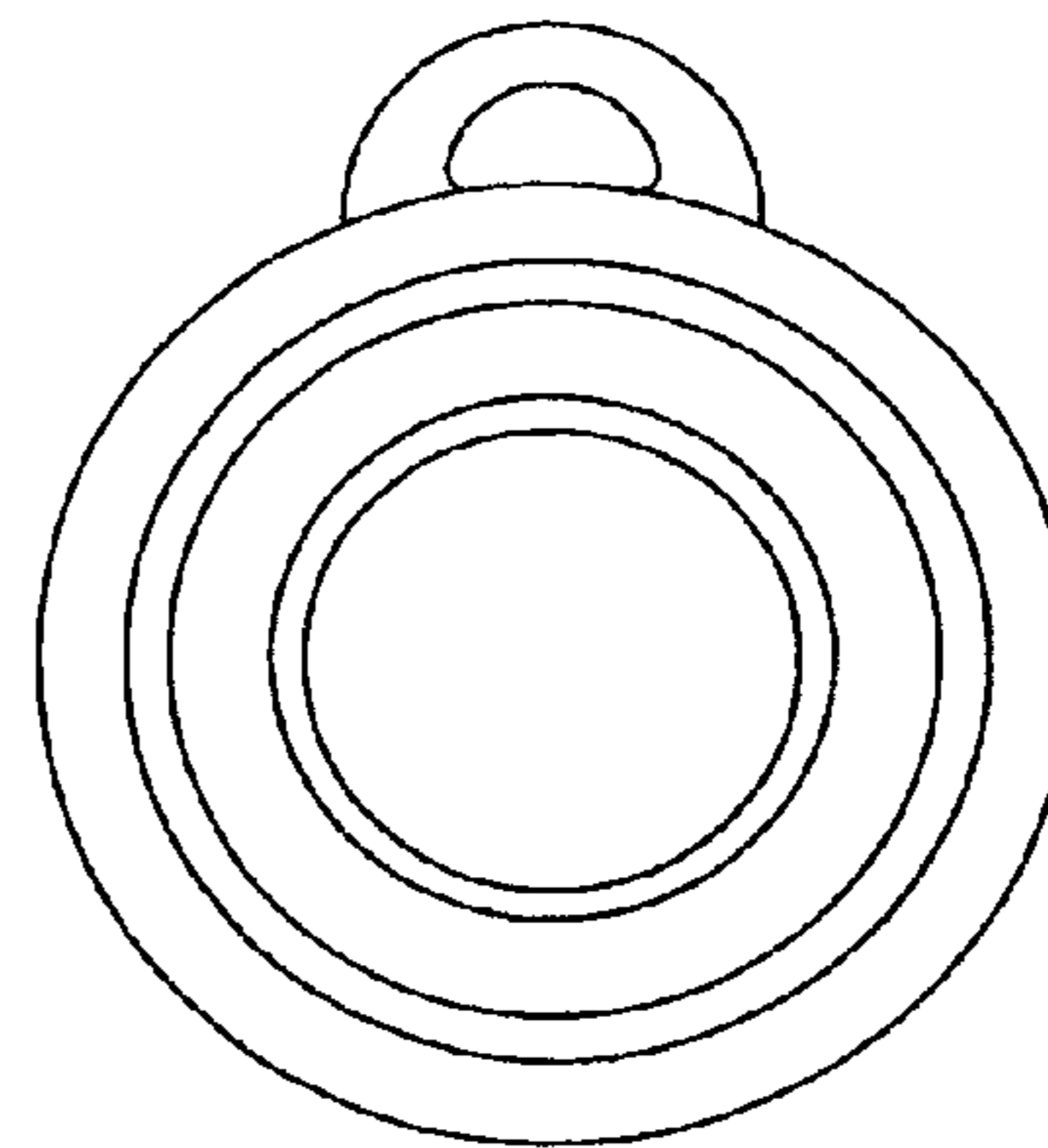


Fig 12