



US00D675480S

(12) **United States Design Patent**
Thomas

(10) **Patent No.:** **US D675,480 S**

(45) **Date of Patent:** **** Feb. 5, 2013**

(54) **DRINKING CUP**

(75) Inventor: **Elodie Jeanne Claudine Thomas,**
Amsterdam (NL)

(73) Assignee: **Koninklijke Philips Electronics N.V.,**
Eindhoven (NL)

(**) Term: **14 Years**

(21) Appl. No.: **29/411,179**

(22) Filed: **Jan. 18, 2012**

(51) **LOC (9) Cl.** **07-01**

(52) **U.S. Cl.** **D7/507; D7/510; D7/511**

(58) **Field of Classification Search** D7/534,
D7/536, 509, 507, 533, 510, 511, 523; 215/11.1,
215/11.6; 220/710.5, 714, 719, 288; D24/197;
D9/719; D3/215, 202
See application file for complete search history.

(56) **References Cited**

U.S. PATENT DOCUMENTS

D310,719 S *	9/1990	Donovan	D24/197
D313,848 S *	1/1991	Corso	D24/197
D351,341 S *	10/1994	Hung	D9/719
D356,469 S *	3/1995	Musilli et al.	D7/507
D417,004 S *	11/1999	Lyons	D24/197

6,321,931 B1 *	11/2001	Hakim et al.	220/714
D459,155 S *	6/2002	Atkin et al.	D7/510
6,880,713 B2 *	4/2005	Holley, Jr.	215/11.4
D555,428 S *	11/2007	Tulett	D7/510
7,556,172 B2 *	7/2009	Lane	220/714
D617,465 S *	6/2010	Hakim	D24/197
D625,830 S *	10/2010	Py et al.	D24/197
D636,086 S *	4/2011	de Barros Rossi	D24/197
D666,731 S *	9/2012	Mustecaplioglu	D24/197

* cited by examiner

Primary Examiner — Marianne Pandozzi

(57) **CLAIM**

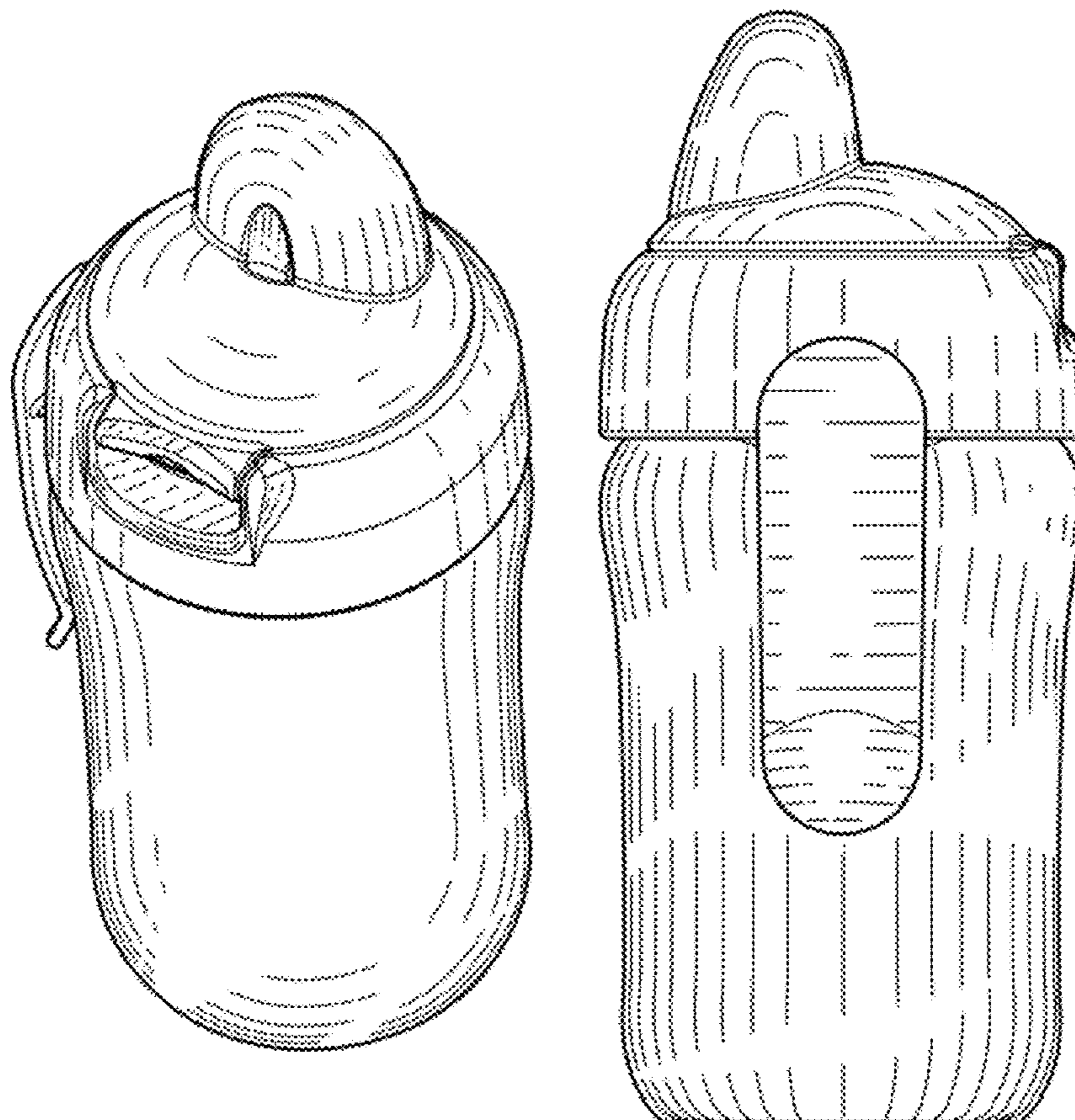
The ornamental design for a drinking cup, as shown and described.

DESCRIPTION

FIG. 1 is a perspective view showing my design;
FIG. 2 is a front elevational view thereof;
FIG. 3 is a rear elevational view thereof;
FIG. 4 is a right side elevational view thereof;
FIG. 5 is a left side elevational view thereof;
FIG. 6 is a top plan view thereof; and,
FIG. 7 is a bottom plan view thereof.

The broken lines in the drawings are included for the purpose of illustration and form no part of the claimed design.

1 Claim, 5 Drawing Sheets



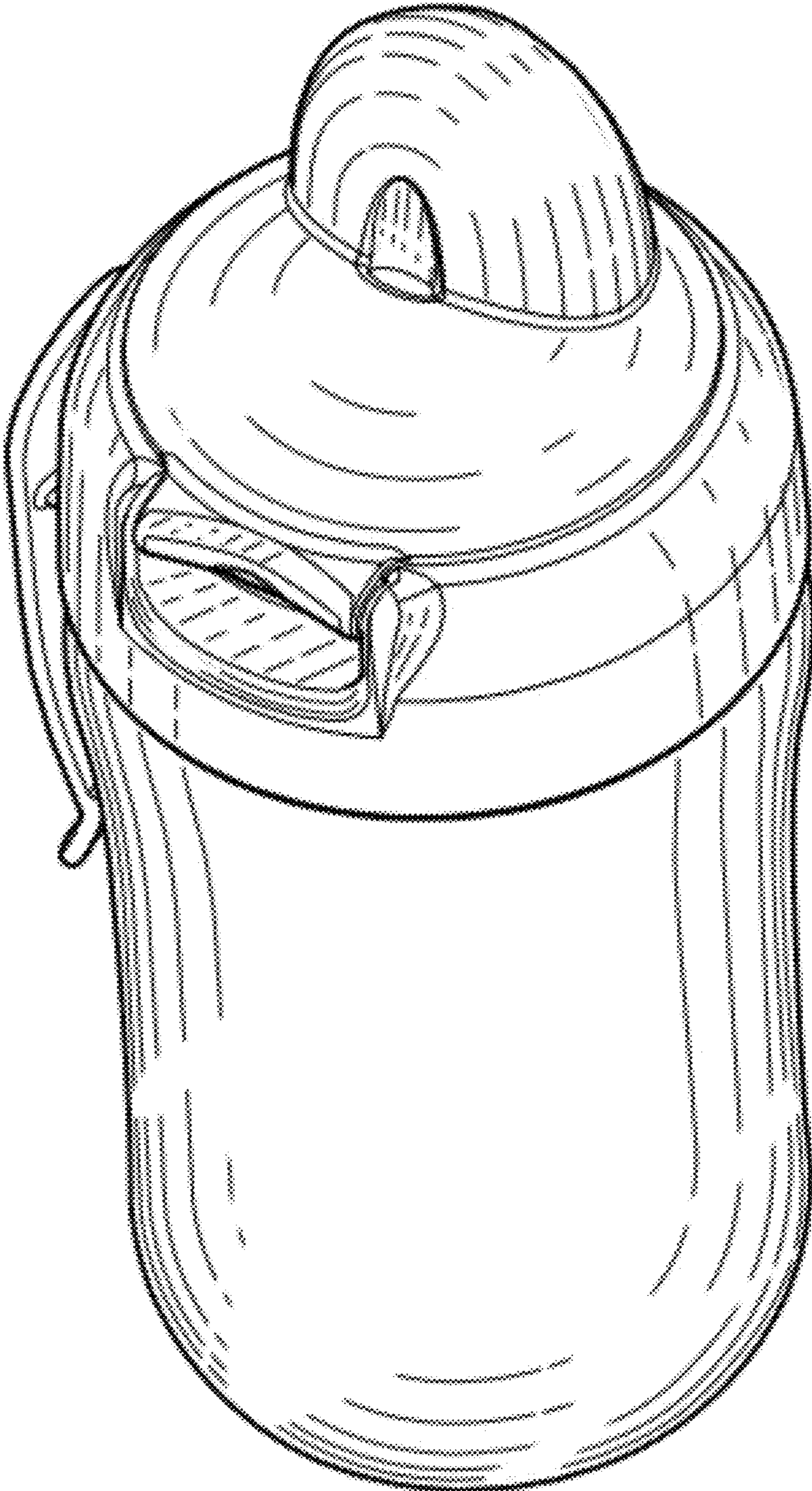


FIG. 1

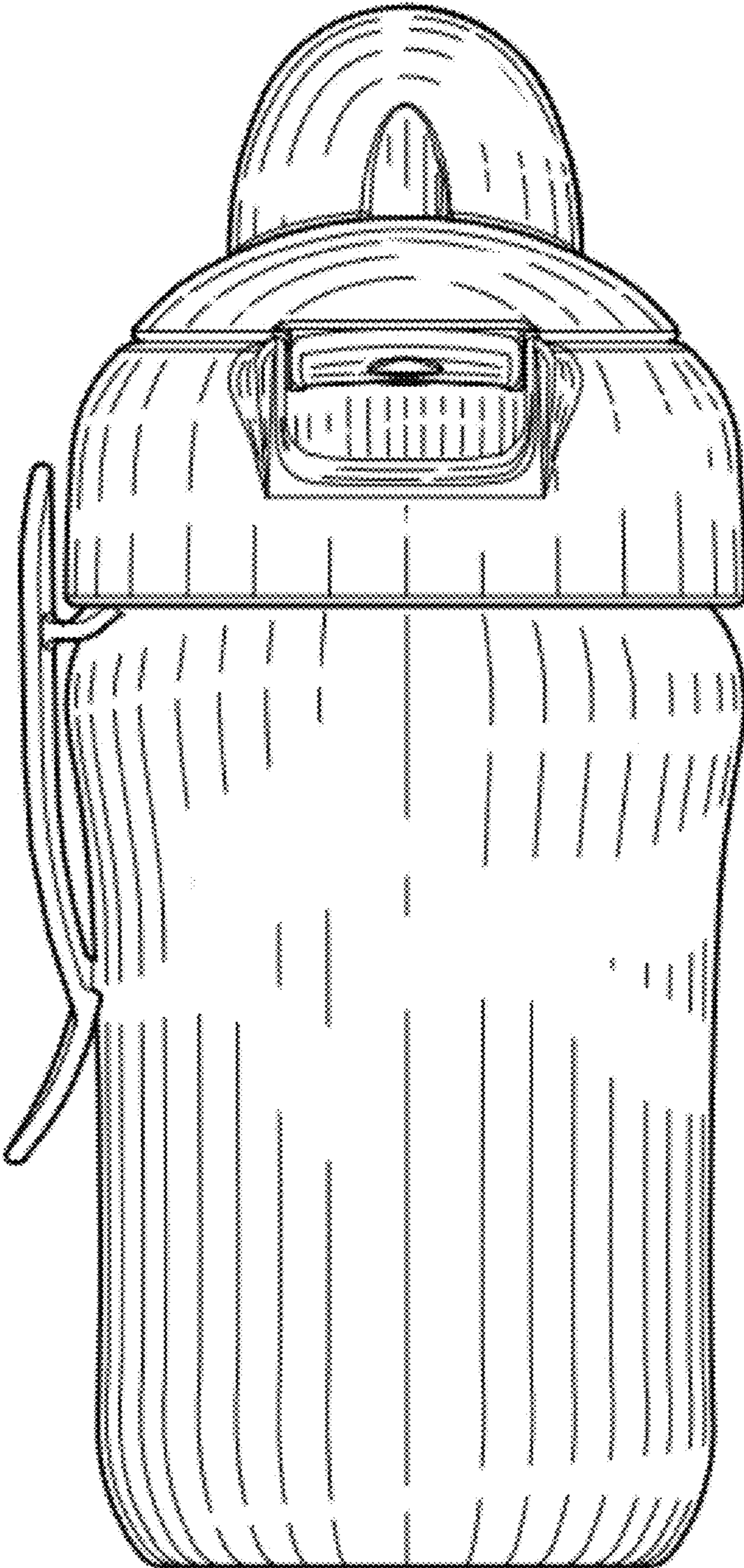


FIG.2

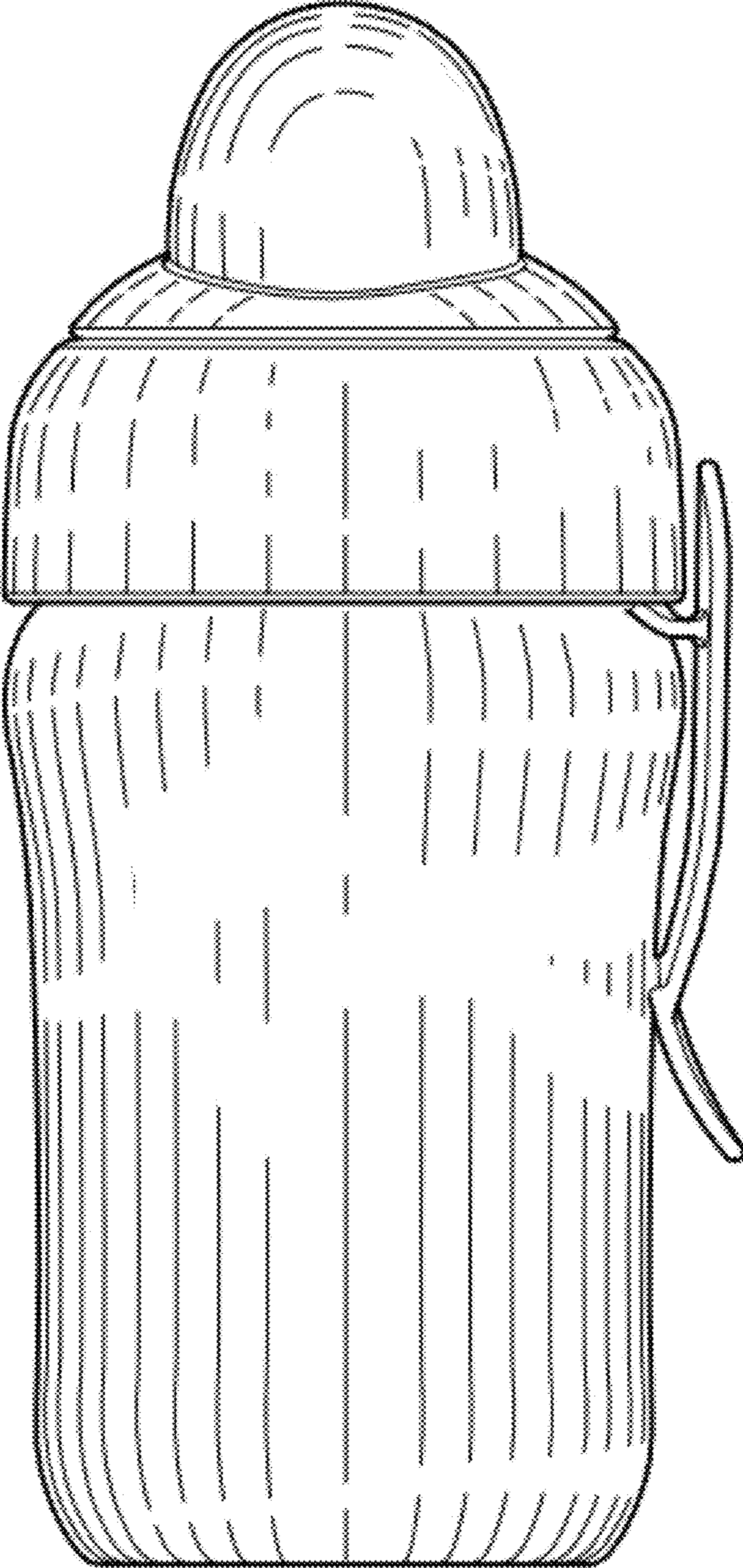


FIG. 3

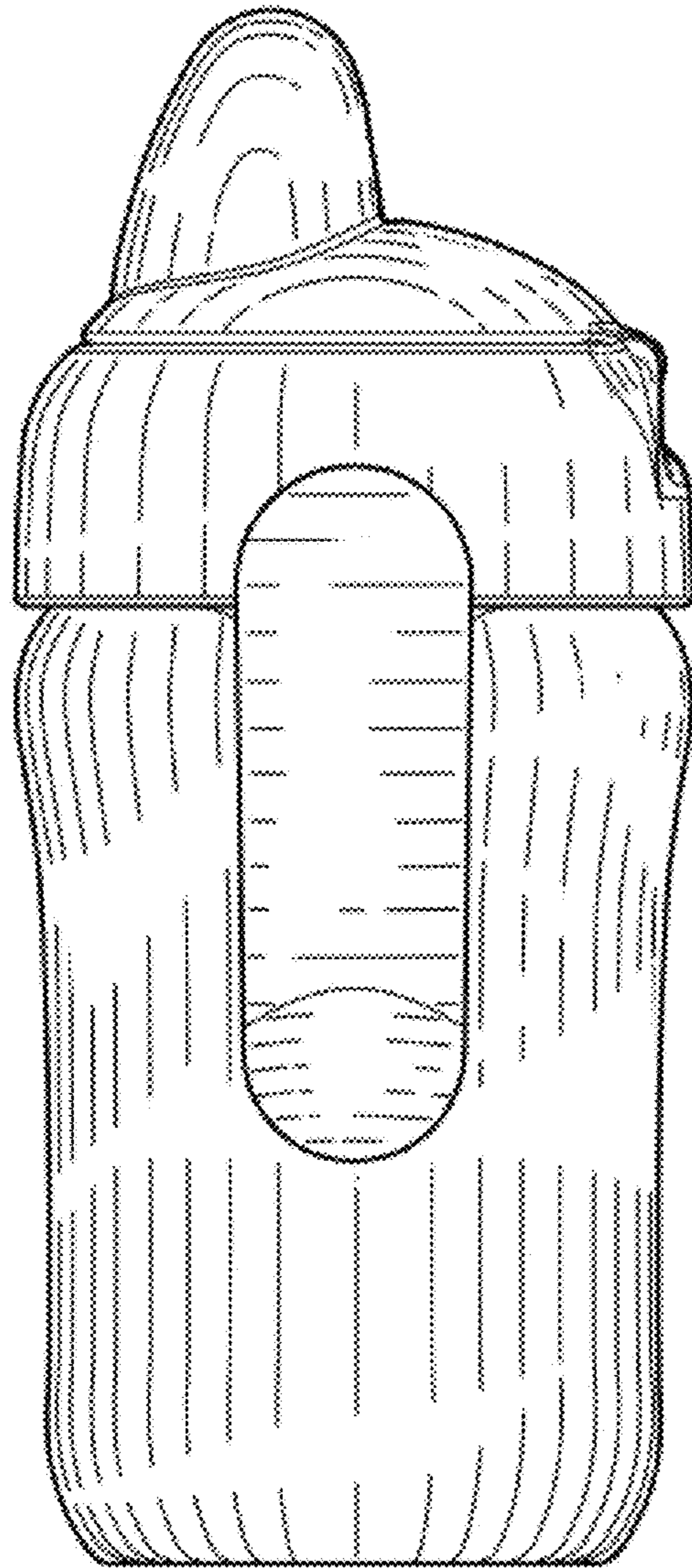


FIG. 4

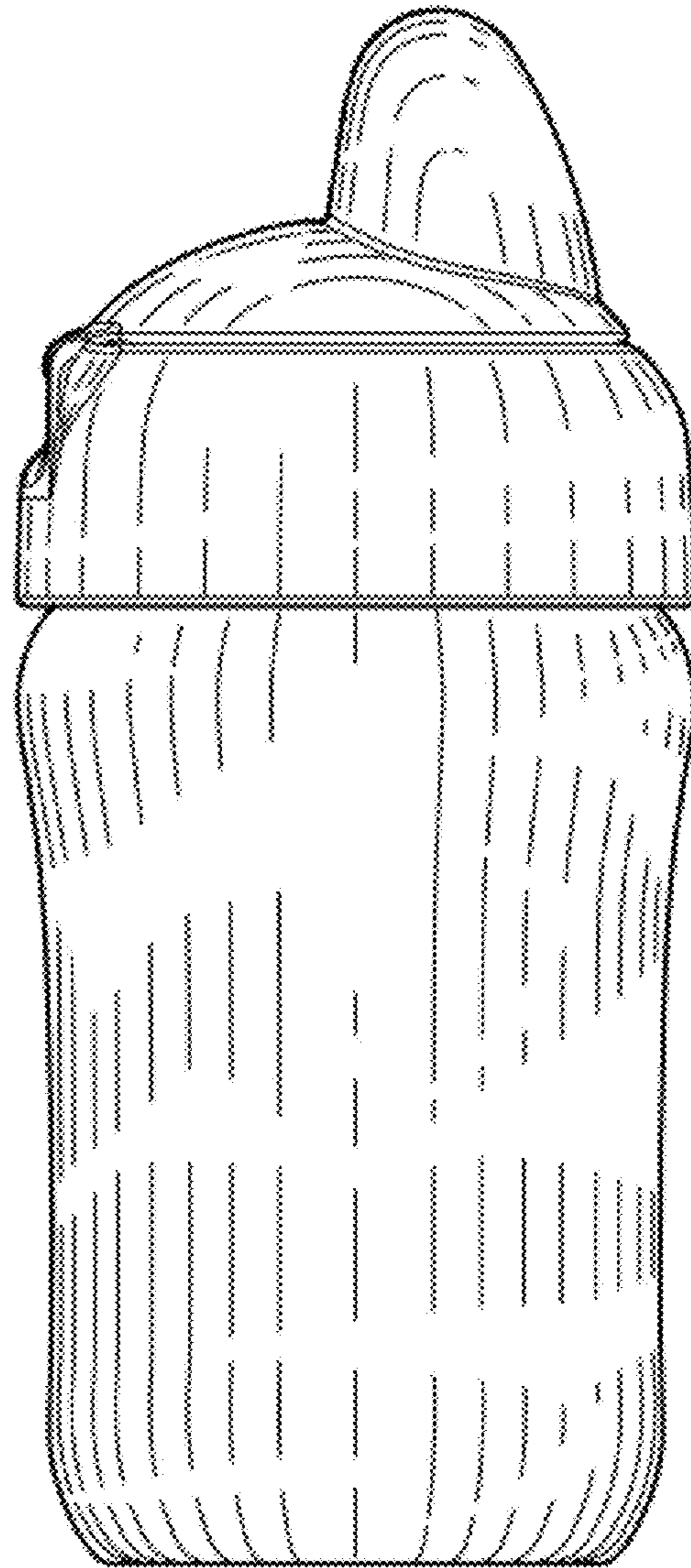


FIG. 5

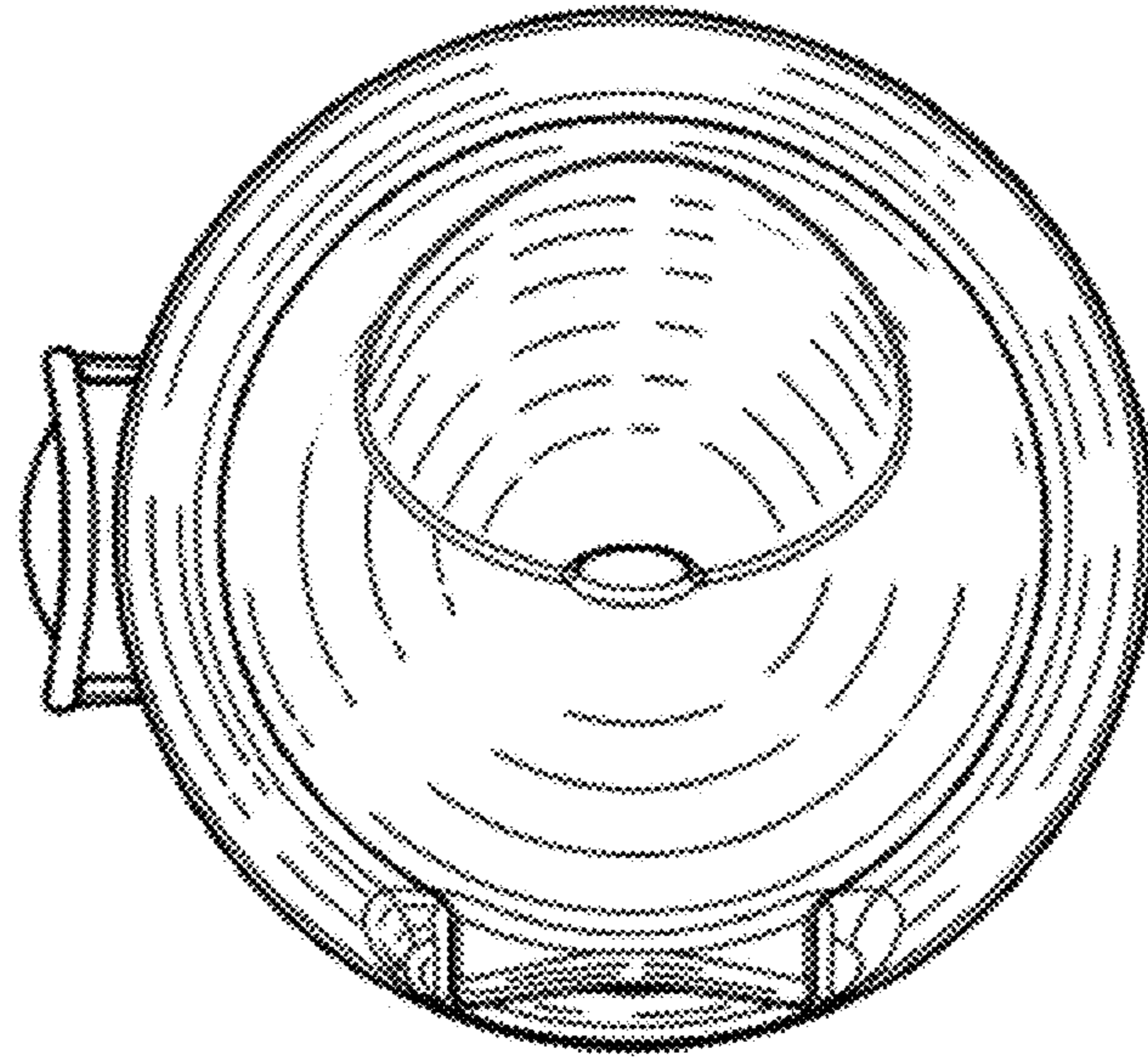


FIG. 6

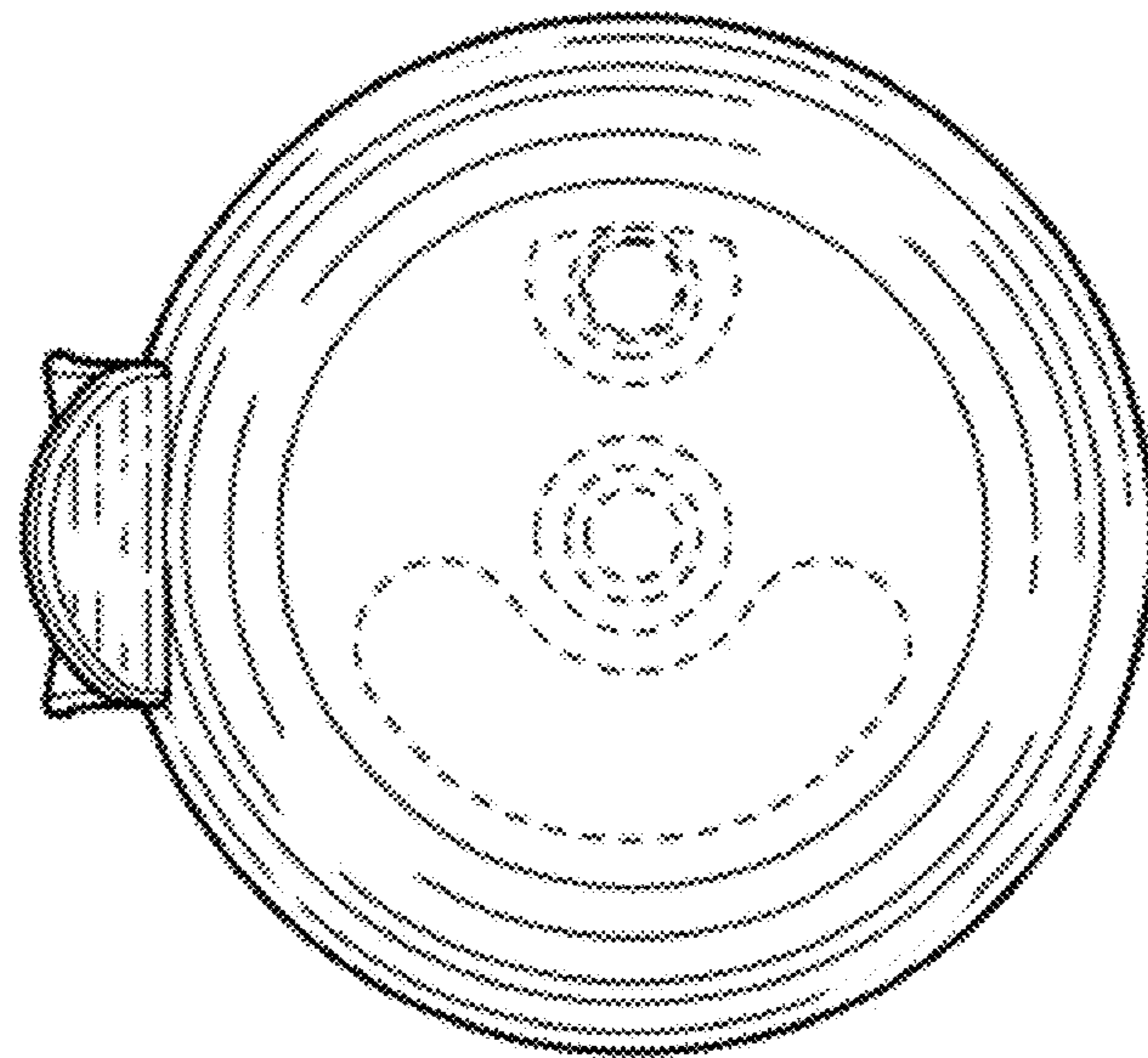


FIG. 7