



US00D675479S

(12) **United States Design Patent**
Phillips

(10) **Patent No.:** **US D675,479 S**
(45) **Date of Patent:** **** Feb. 5, 2013**

- (54) **SHOT GLASS**
- (75) Inventor: **Dean Phillips**, Minneapolis, MN (US)
- (73) Assignee: **Phillips Distilling Company**,
Minneapolis, MN (US)
- (**) Term: **14 Years**
- (21) Appl. No.: **29/400,889**
- (22) Filed: **Sep. 2, 2011**
- (51) **LOC (9) Cl.** **07-01**
- (52) **U.S. Cl.** **D7/507; D7/509; D7/531; D7/533**
- (58) **Field of Classification Search** **D7/536,**
D7/531, 354, 507, 533, 509; D11/164; 220/703
See application file for complete search history.

- D598,713 S * 8/2009 Luft D7/533
- D613,121 S * 4/2010 Luft D7/533
- D621,221 S * 8/2010 Henry D7/536
- D633,654 S * 3/2011 Berkete D28/79
- D658,503 S * 5/2012 Mather D9/692
- D663,437 S * 7/2012 Lauren et al. D25/10
- 2005/0211101 A1* 9/2005 Finnie 99/279
- 2007/0284426 A1* 12/2007 Lo 229/403

* cited by examiner

Primary Examiner — Marianne Pandozzi
(74) *Attorney, Agent, or Firm* — Gifford, Krass, Sprinkle,
Anderson & Citkowski, P.C.

(57) **CLAIM**
The ornamental design for a shot glass, as shown and
described.

DESCRIPTION

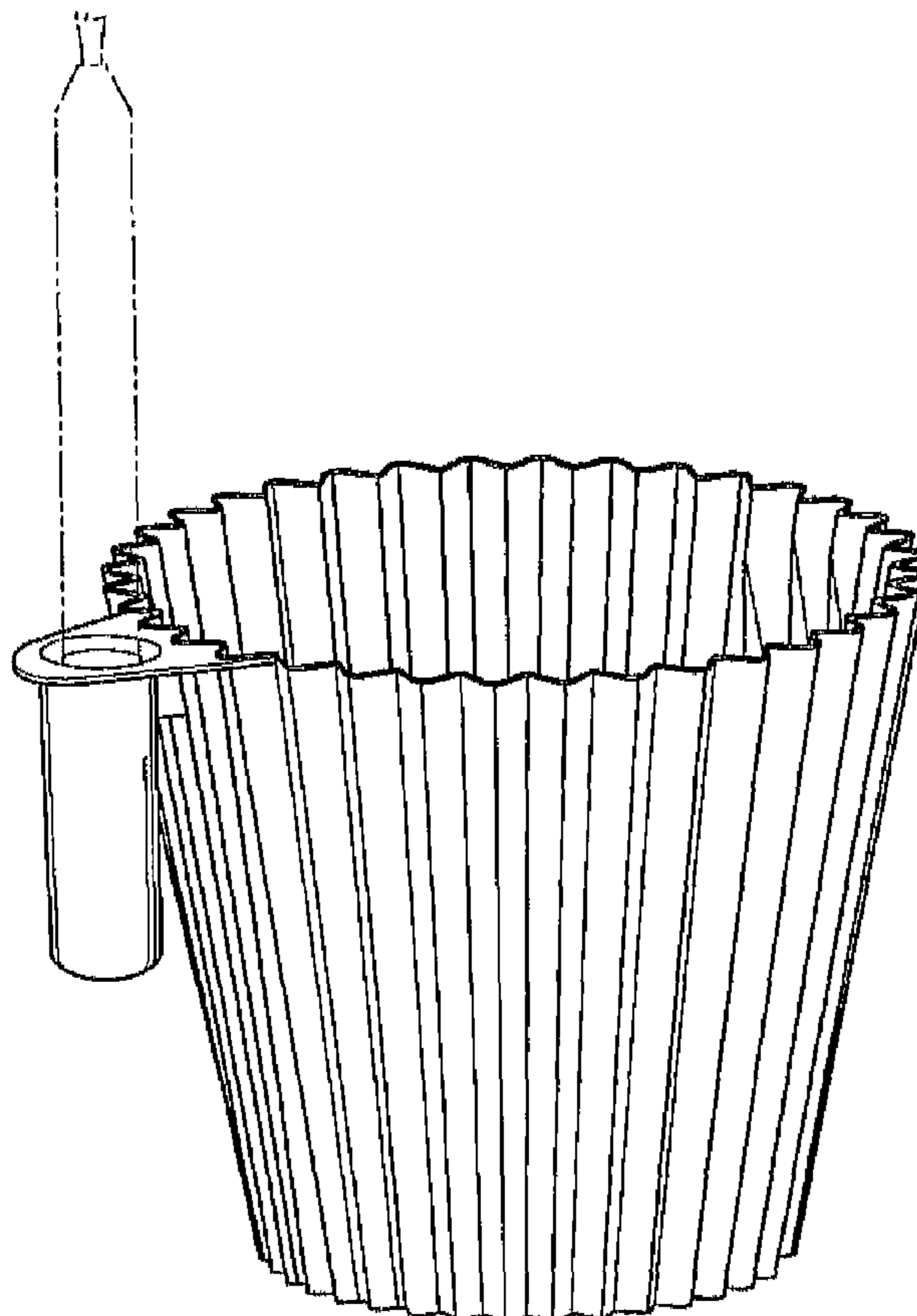
FIG. 1 is a perspective view of a shot glass showing my new
design;
FIG. 2 is a rear view hereof;
FIG. 3 is a right side view thereof;
FIG. 4 is a front view thereof;
FIG. 5 is a left side view thereof;
FIG. 6 is a top plan view thereof; and,
FIG. 7 is a bottom plan view thereof.
The broken lines in the drawings are included for the purpose
of illustration and form no part of the claimed design.

1 Claim, 3 Drawing Sheets

(56) **References Cited**

U.S. PATENT DOCUMENTS

4,221,670	A	*	9/1980	Ziemek	210/474
D278,116	S	*	3/1985	Gavin et al.	D7/400
D455,608	S	*	4/2002	McWilliams	D7/400
D480,269	S	*	10/2003	Currier	D7/515
D502,056	S	*	2/2005	Bakti	D7/507
D521,872	S	*	5/2006	Wu	D9/643
D545,113	S	*	6/2007	Lion et al.	D7/354
D570,711	S	*	6/2008	Dorsz	D10/32
D578,350	S	*	10/2008	Eide et al.	D7/536
D581,719	S	*	12/2008	Frank	D7/354



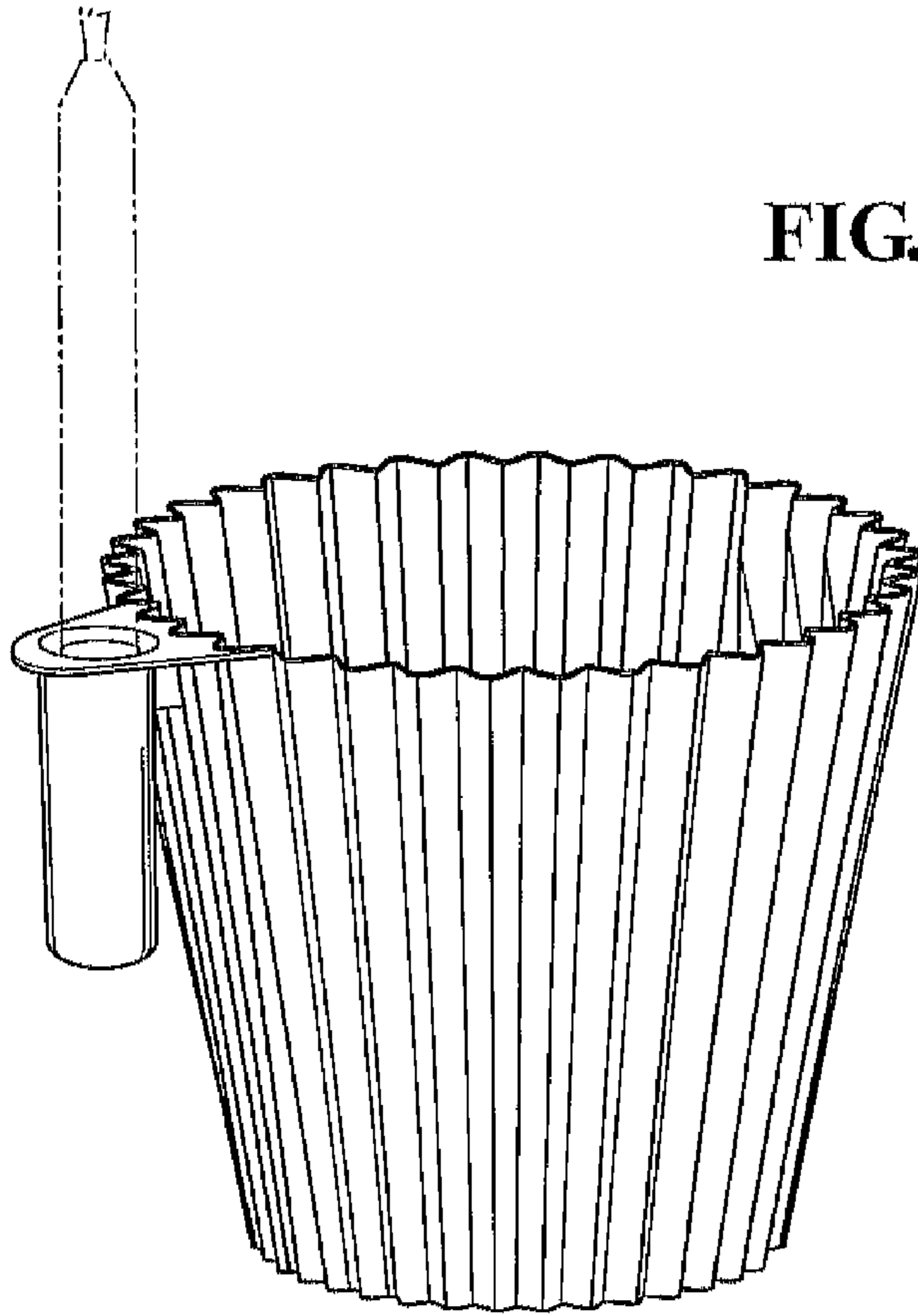


FIG. 1

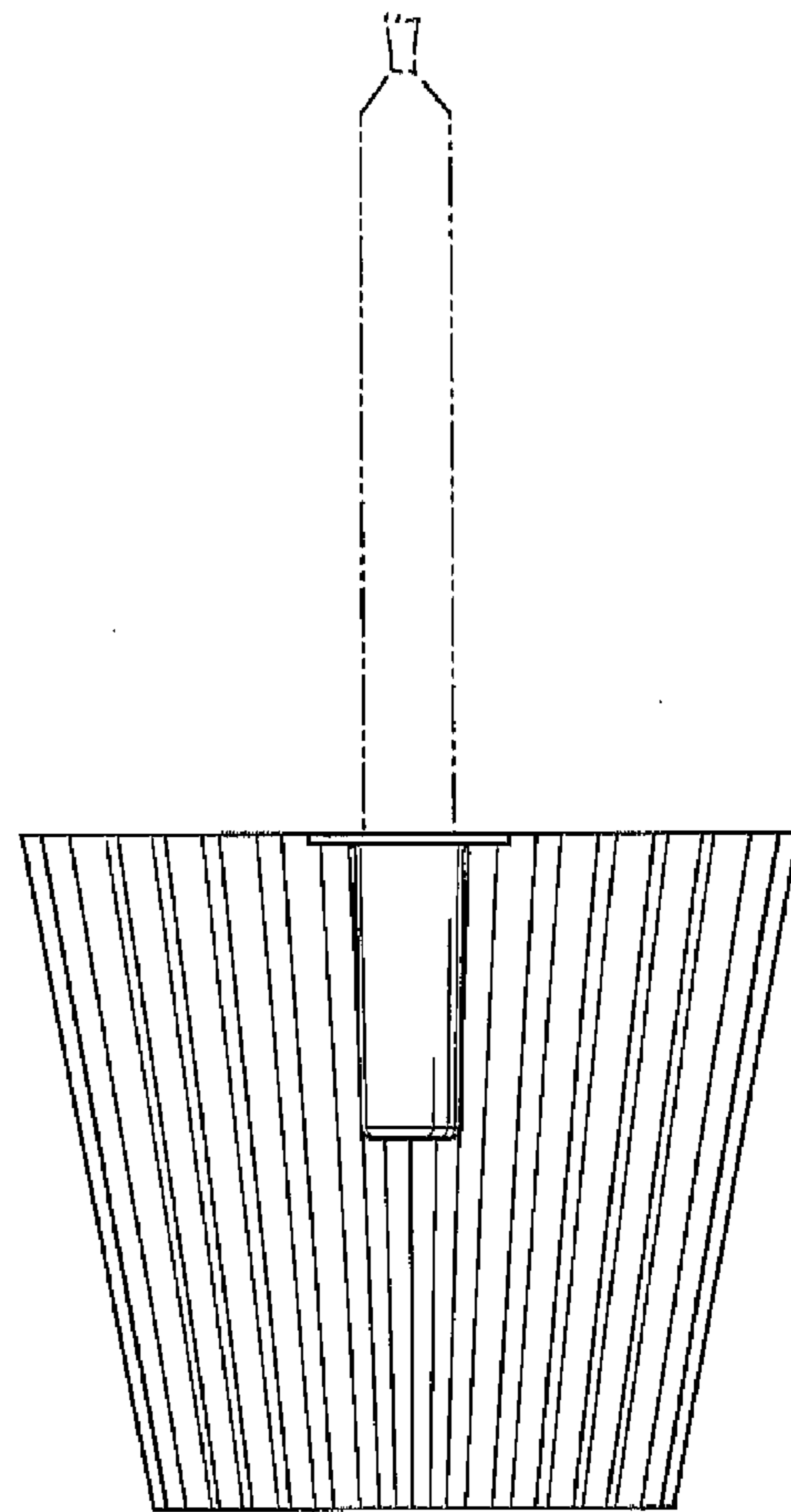


FIG. 2

FIG. 3

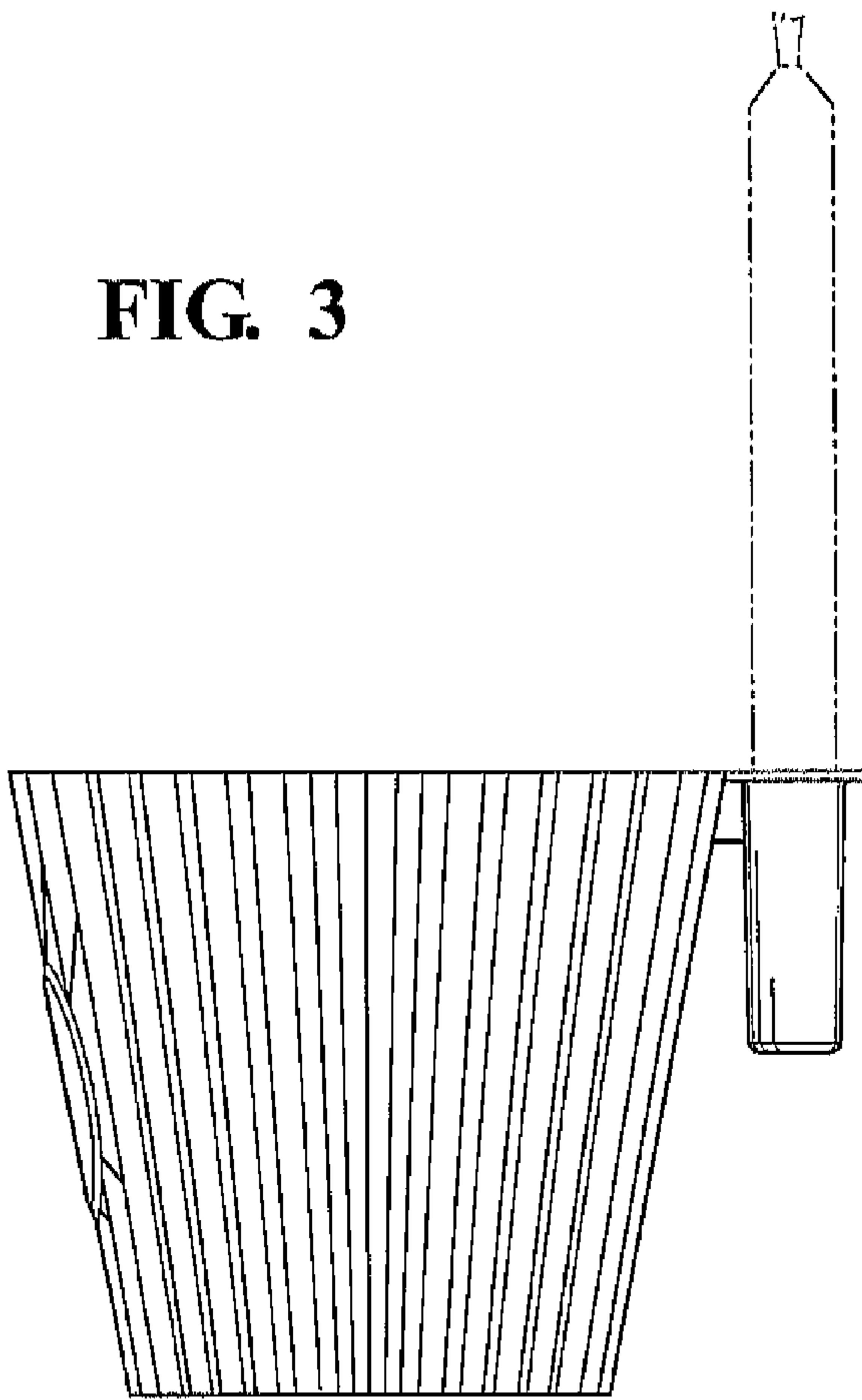
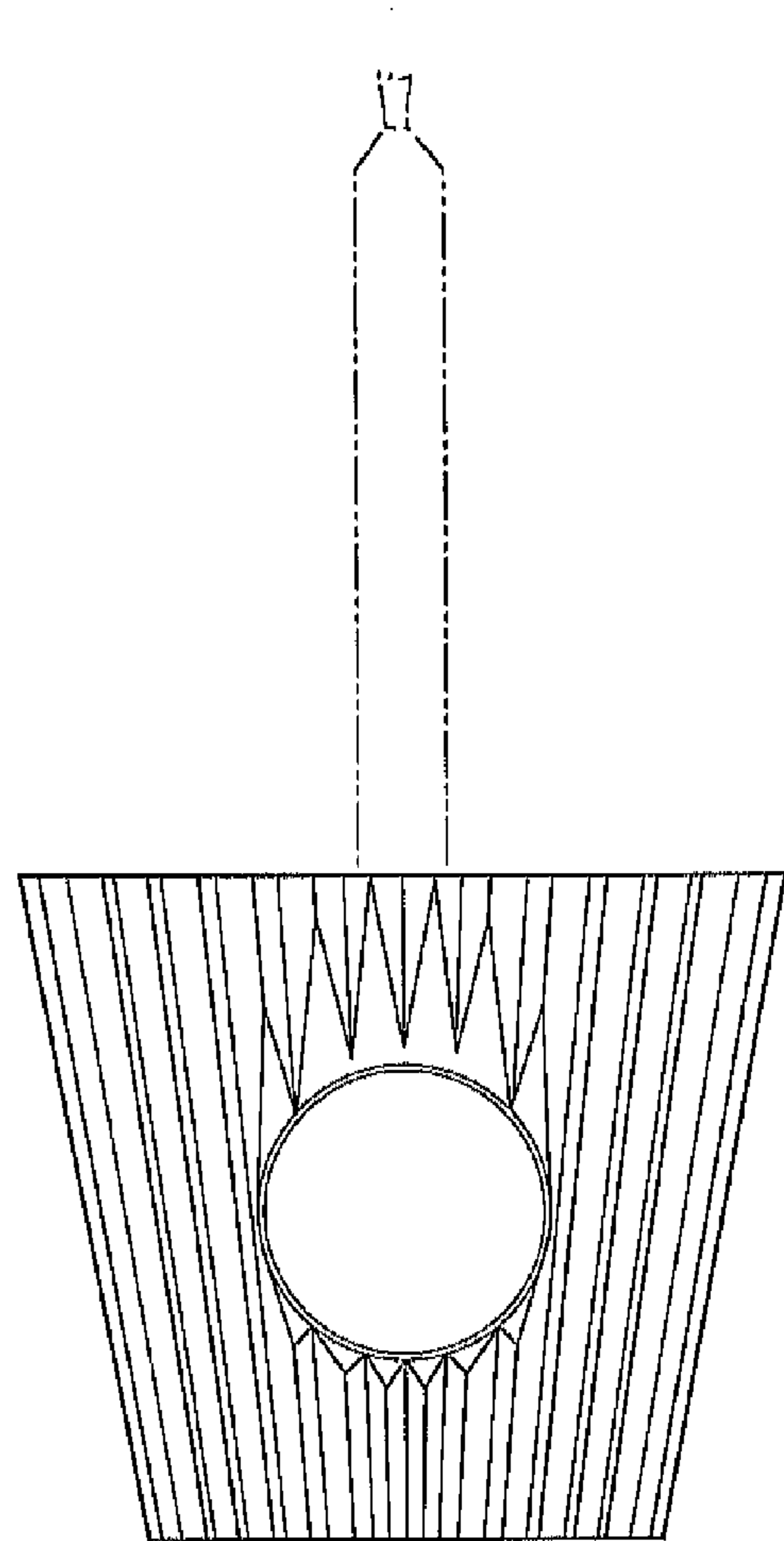


FIG. 4



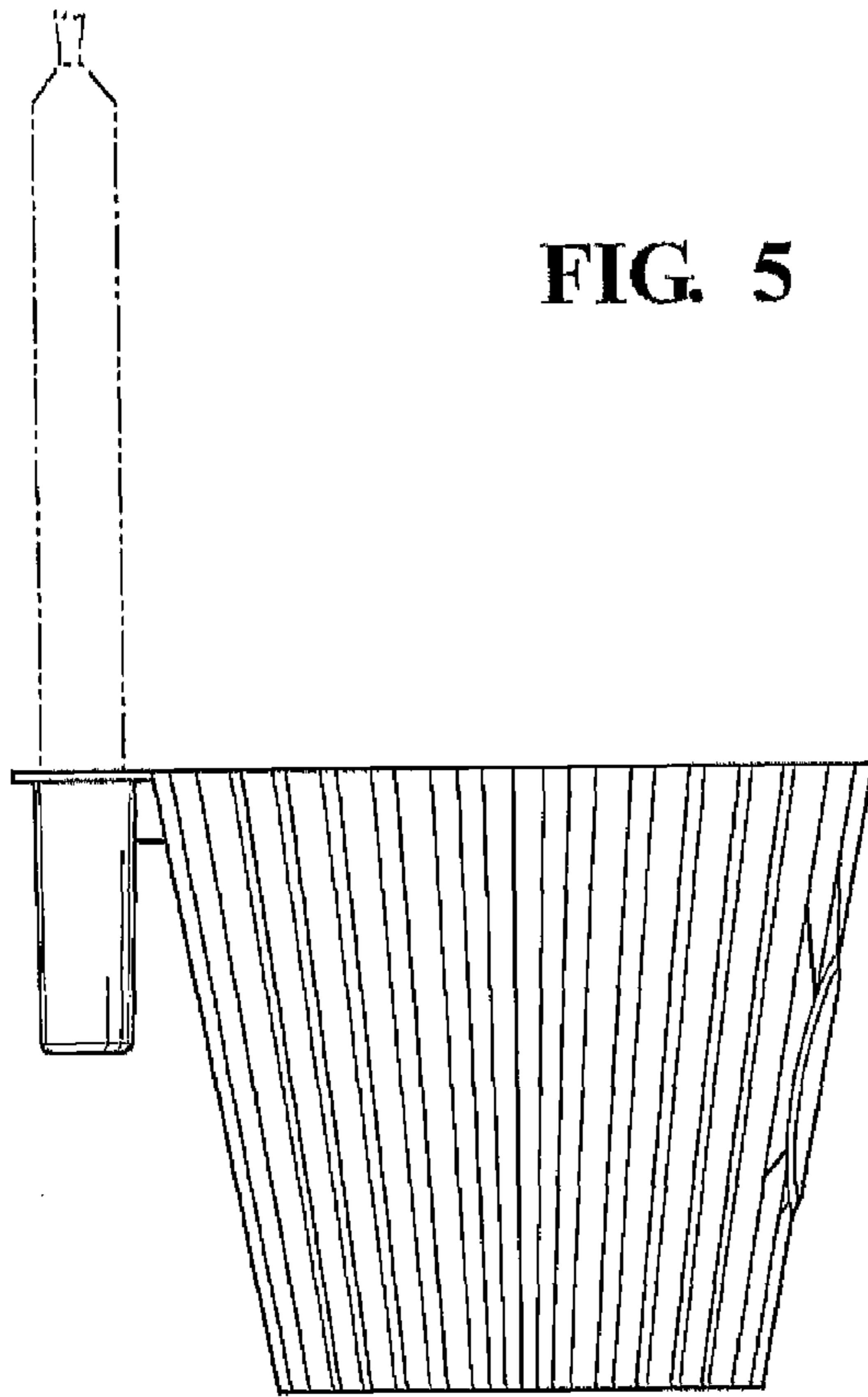


FIG. 5

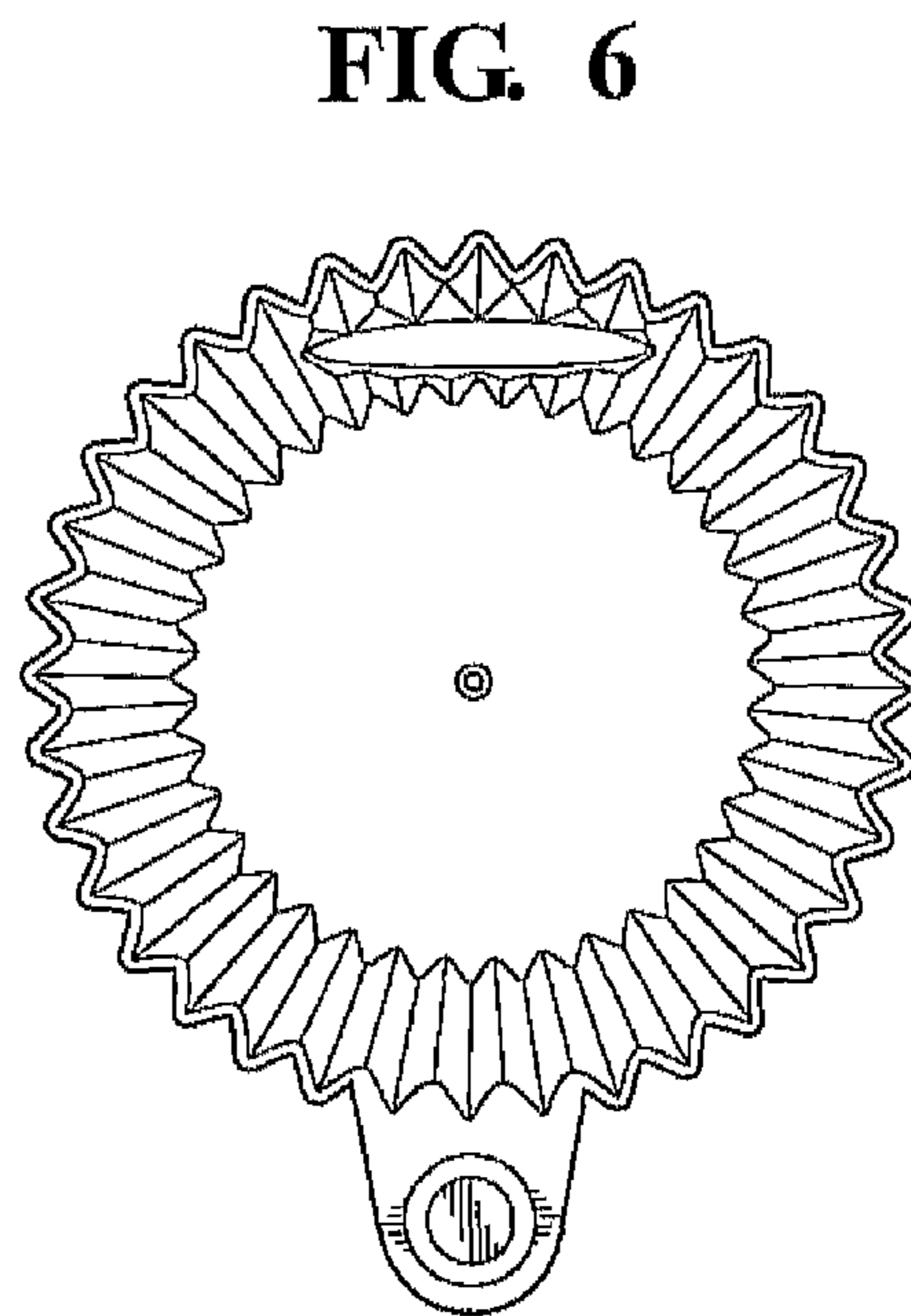


FIG. 6

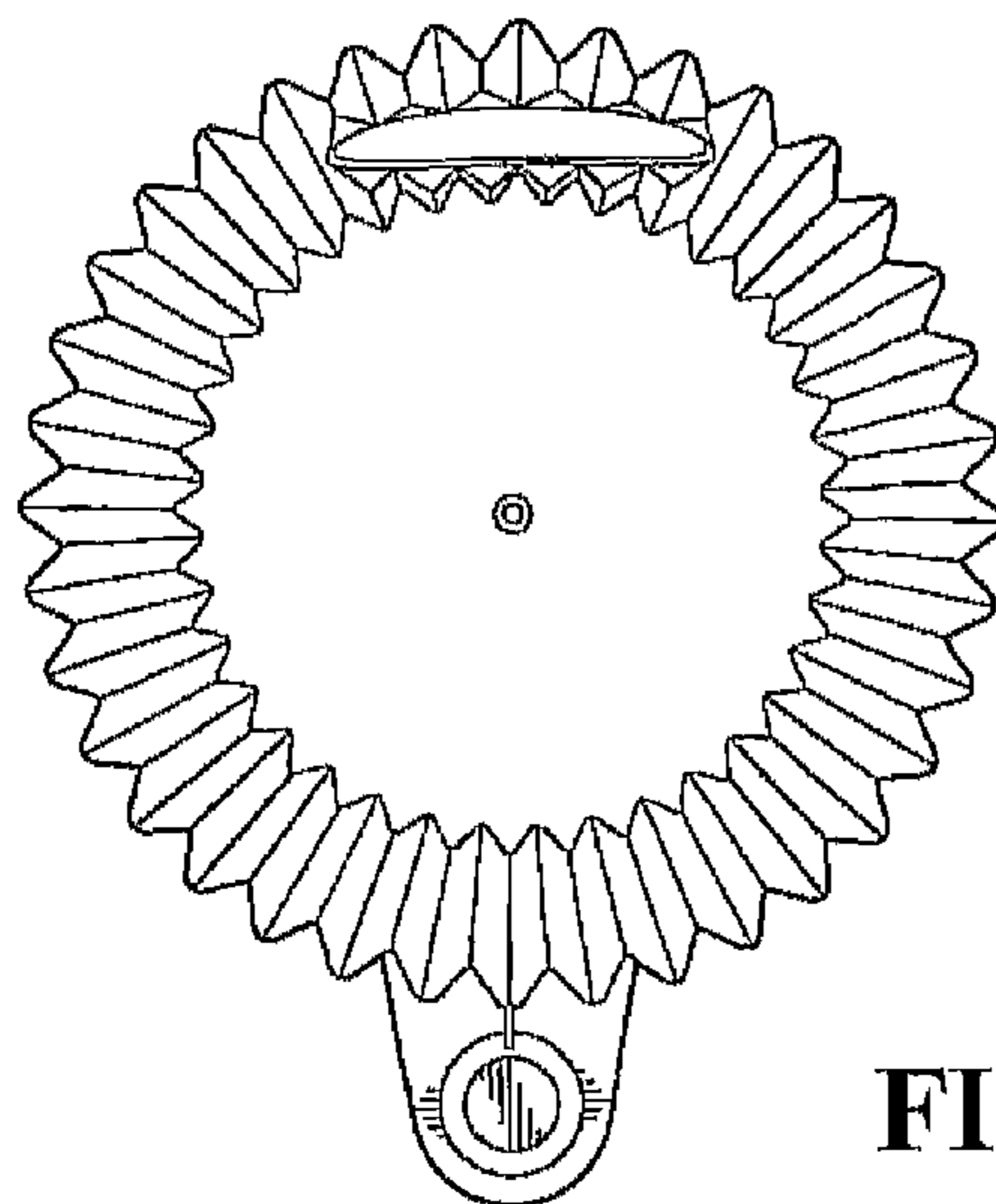


FIG. 7