



US00D675478S

(12) **United States Design Patent**
Paddock

(10) **Patent No.:** **US D675,478 S**

(45) **Date of Patent:** **** Feb. 5, 2013**

(54) **HOB GUARD**

(76) Inventor: **Michael Thomas Paddock**, North Shore (NZ)

(**) Term: **14 Years**

(21) Appl. No.: **29/419,582**

(22) Filed: **Apr. 30, 2012**

(30) **Foreign Application Priority Data**

Nov. 30, 2011 (NZ) 415591

(51) **LOC (9) Cl.** **07-02**

(52) **U.S. Cl.** **D7/406**

(58) **Field of Classification Search** D7/332, D7/334-337, 402-405, 407, 392.1, 346, 367, D7/409; 126/25 R, 39 C, 41 R, 25 A, 29-30, 126/25 AA, 9 R, 37-38, 40, 39 E, 39 B, 24, 126/211, 216, 42; 99/481-482; 137/883, 137/875; 431/343; D10/121; D26/119; D25/38.1

See application file for complete search history.

(56) **References Cited**

U.S. PATENT DOCUMENTS

2,771,873	A *	11/1956	Baker, Jr.	126/216
2,772,414	A *	11/1956	Baker, Jr.	126/24
3,513,826	A *	5/1970	Hellmuth	126/211
3,898,975	A *	8/1975	Kemp	126/42
4,155,343	A *	5/1979	Hartman	126/24
4,157,705	A *	6/1979	Caan	126/211

D279,073	S *	6/1985	Simpson et al.	D7/402
D301,008	S *	5/1989	Williams	D7/402
D339,718	S *	9/1993	Coy	D7/406
D351,760	S *	10/1994	Frank	D7/402
D404,610	S *	1/1999	Besette	D7/402
D420,615	S *	2/2000	Mongeau	D10/121
D467,027	S *	12/2002	Huang	D26/119
D575,985	S *	9/2008	Delaney	D7/405
D650,225	S *	12/2011	Bartol et al.	D7/409
D657,888	S *	4/2012	Darby	D25/38.1

* cited by examiner

Primary Examiner — T. Chase Nelson

Assistant Examiner — Mark Cavanna

(74) *Attorney, Agent, or Firm* — Young & Thompson

(57) **CLAIM**

The ornamental design for a hob guard, as shown and described.

DESCRIPTION

FIG. 1 is a bottom, front perspective view of a hob guard showing the new design;

FIG. 2 is a front elevation view thereof;

FIG. 3 is a top plan view thereof;

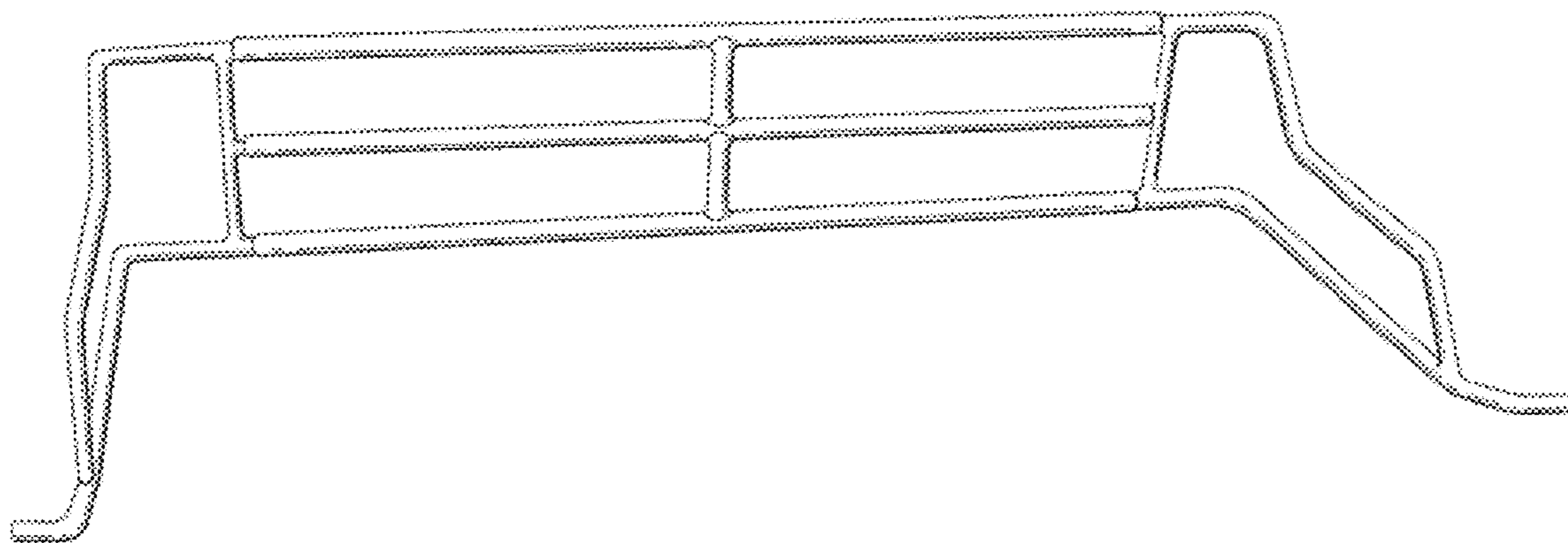
FIG. 4 is a bottom plan view thereof;

FIG. 5 is a rear elevation view thereof;

FIG. 6 is a left side elevation view thereof; and,

FIG. 7 is a right side elevation view thereof.

1 Claim, 4 Drawing Sheets



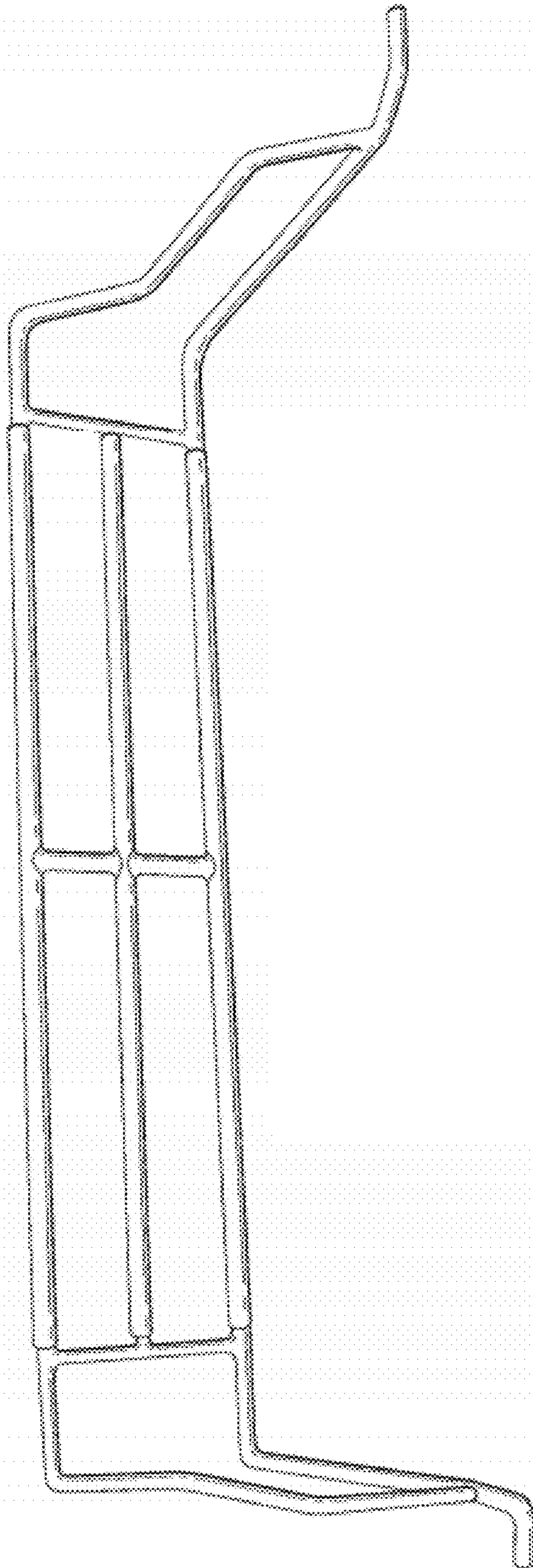


FIG. 1

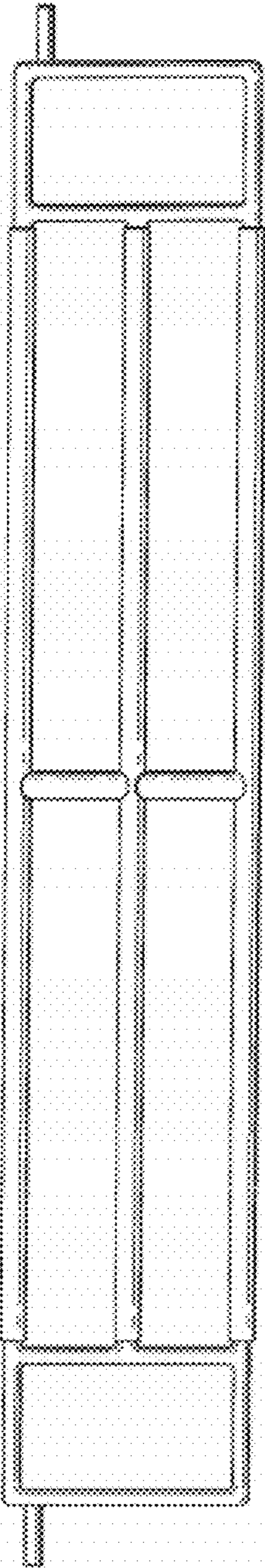


FIG. 2

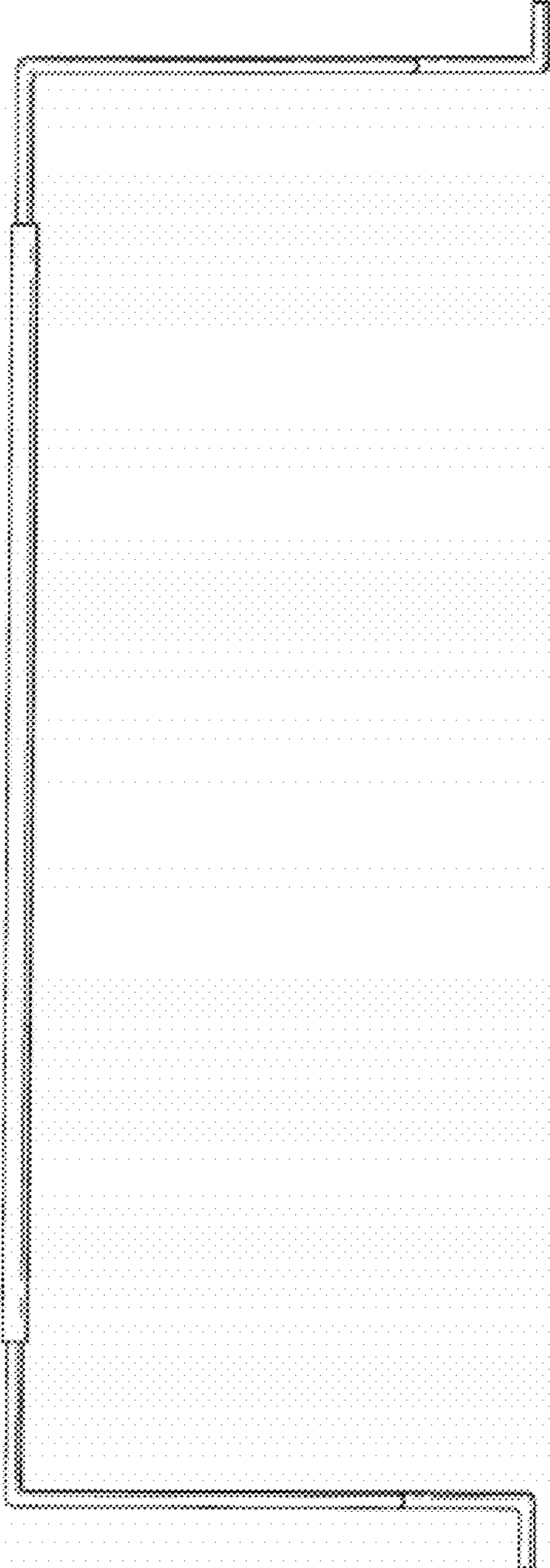


FIG. 3

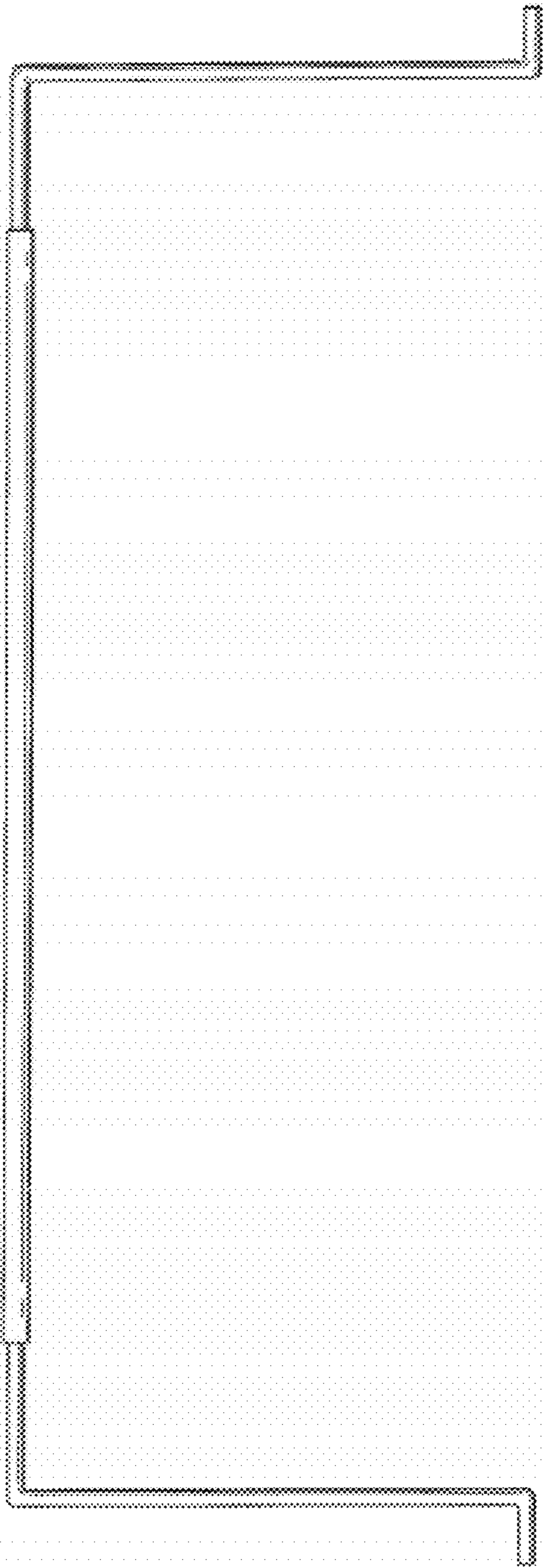


FIG. 4

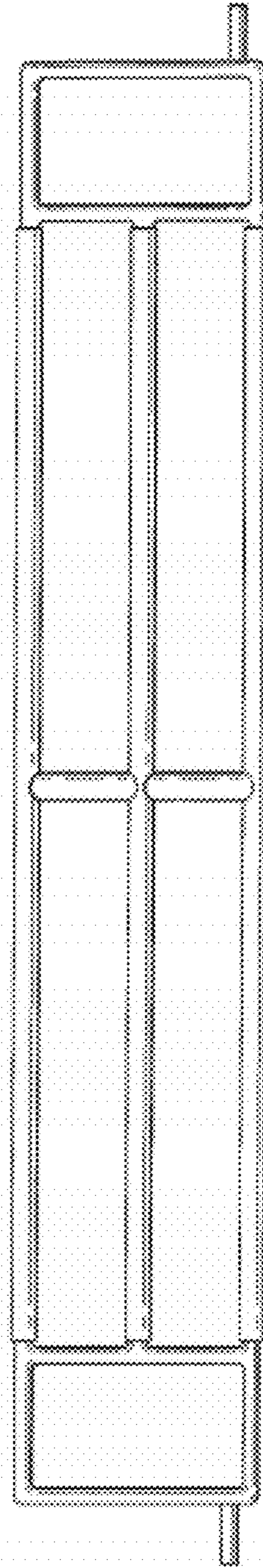


FIG. 5

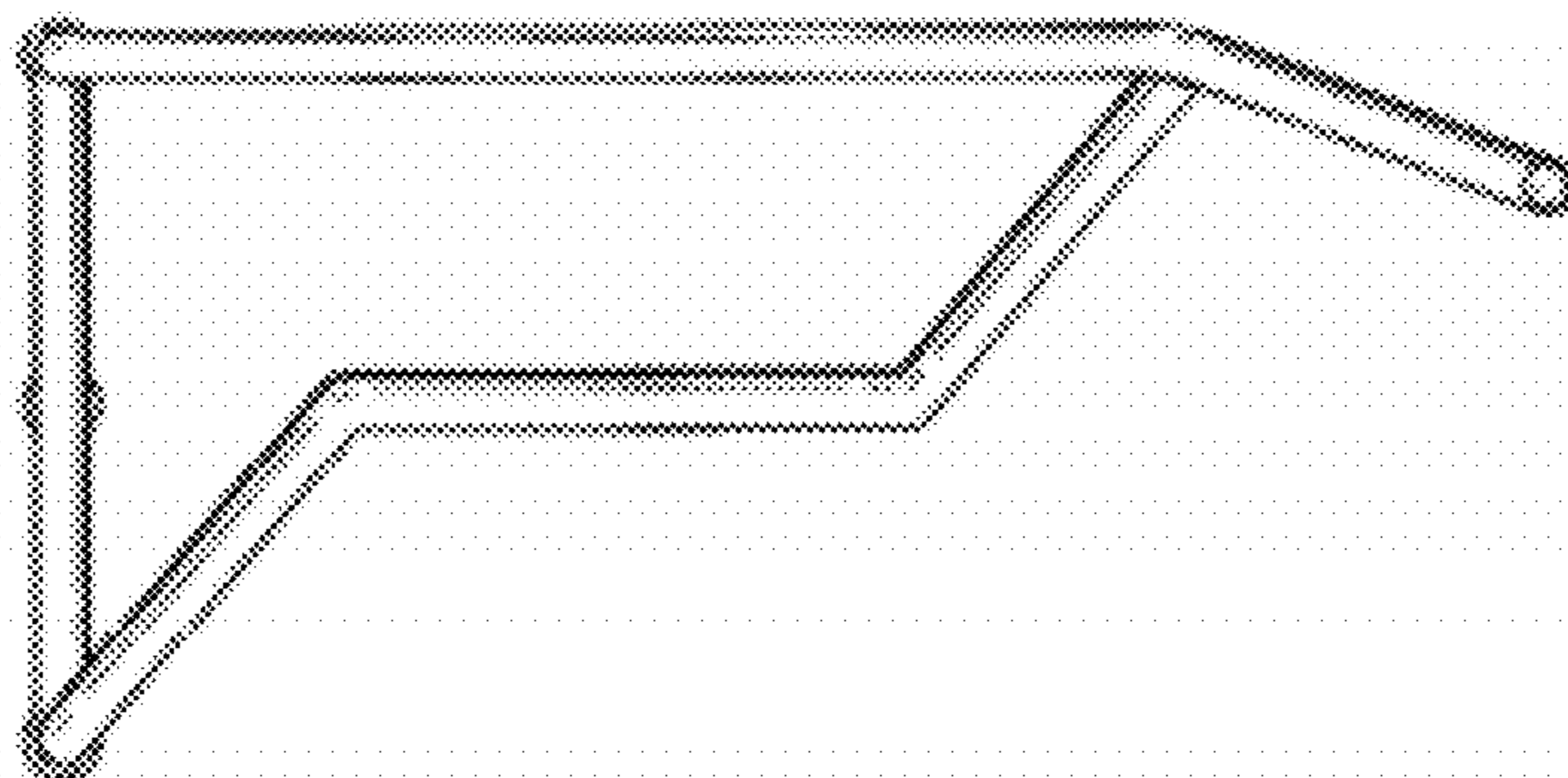


FIG. 7

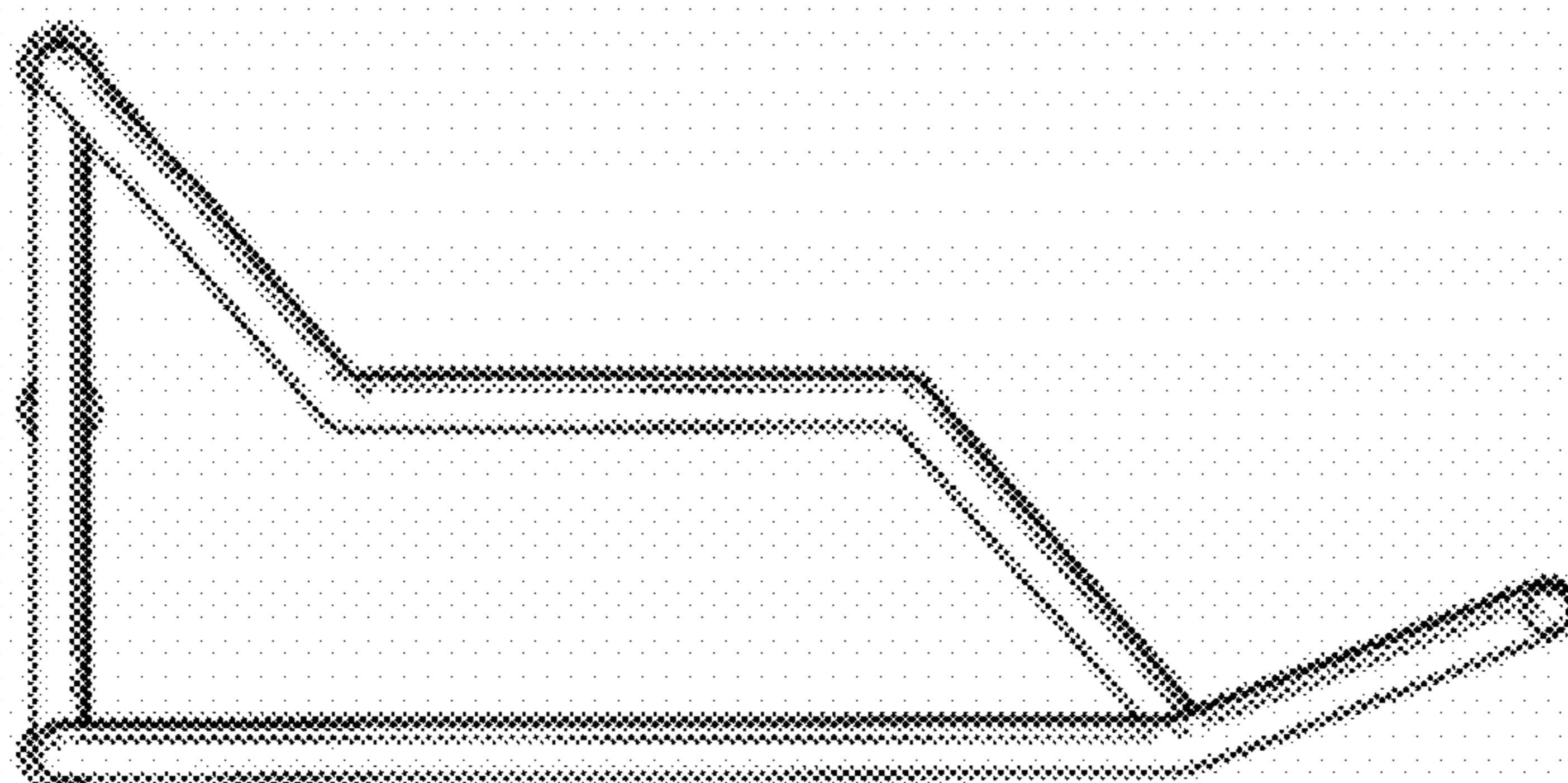


FIG. 6