



US00D675475S

(12) **United States Design Patent**
Yoon

(10) **Patent No.:** **US D675,475 S**
(45) **Date of Patent:** **** Feb. 5, 2013**

(54) **MICROWAVE OVEN**

(75) Inventor: **Soo Hyun Yoon**, Seoul (KR)

(73) Assignee: **Samsung Electronics Co., Ltd.**,
Gyeonggi-do (KR)

(**) Term: **14 Years**

(21) Appl. No.: **29/405,707**

(22) Filed: **Nov. 4, 2011**

(51) **LOC (9) Cl.** **07-02**

(52) **U.S. Cl.** **D7/351**

(58) **Field of Classification Search** D7/350.1–350.4,
D7/351, 402, 405, 406; 219/756–758, 391;
126/19 M, 21 A, 275 E; 99/352
See application file for complete search history.

(56) **References Cited**

U.S. PATENT DOCUMENTS

D297,392 S * 8/1988 Han D7/351
D304,411 S * 11/1989 Yoo D7/351
D613,990 S * 4/2010 Baek D7/351

D615,804 S * 5/2010 Baek D7/351
D626,370 S * 11/2010 Baek D7/351
D633,327 S * 3/2011 Kim D7/351
D655,129 S * 3/2012 Gresko D7/350.1

* cited by examiner

Primary Examiner — Ruth McInroy

(74) *Attorney, Agent, or Firm* — Harness, Dickey & Pierce

(57) **CLAIM**

I claim the ornamental design for a microwave oven, as shown and described.

DESCRIPTION

FIG. 1 is a top, front and right-side perspective view of a microwave oven showing my new design; FIG. 2 is a front elevational view thereof; FIG. 3 is a rear elevational view thereof; FIG. 4 is a left-side elevational view thereof; FIG. 5 is a right-side elevational view thereof; and FIG. 6 is a top plan view thereof; and, FIG. 7 is a bottom plan view thereof.

1 Claim, 4 Drawing Sheets

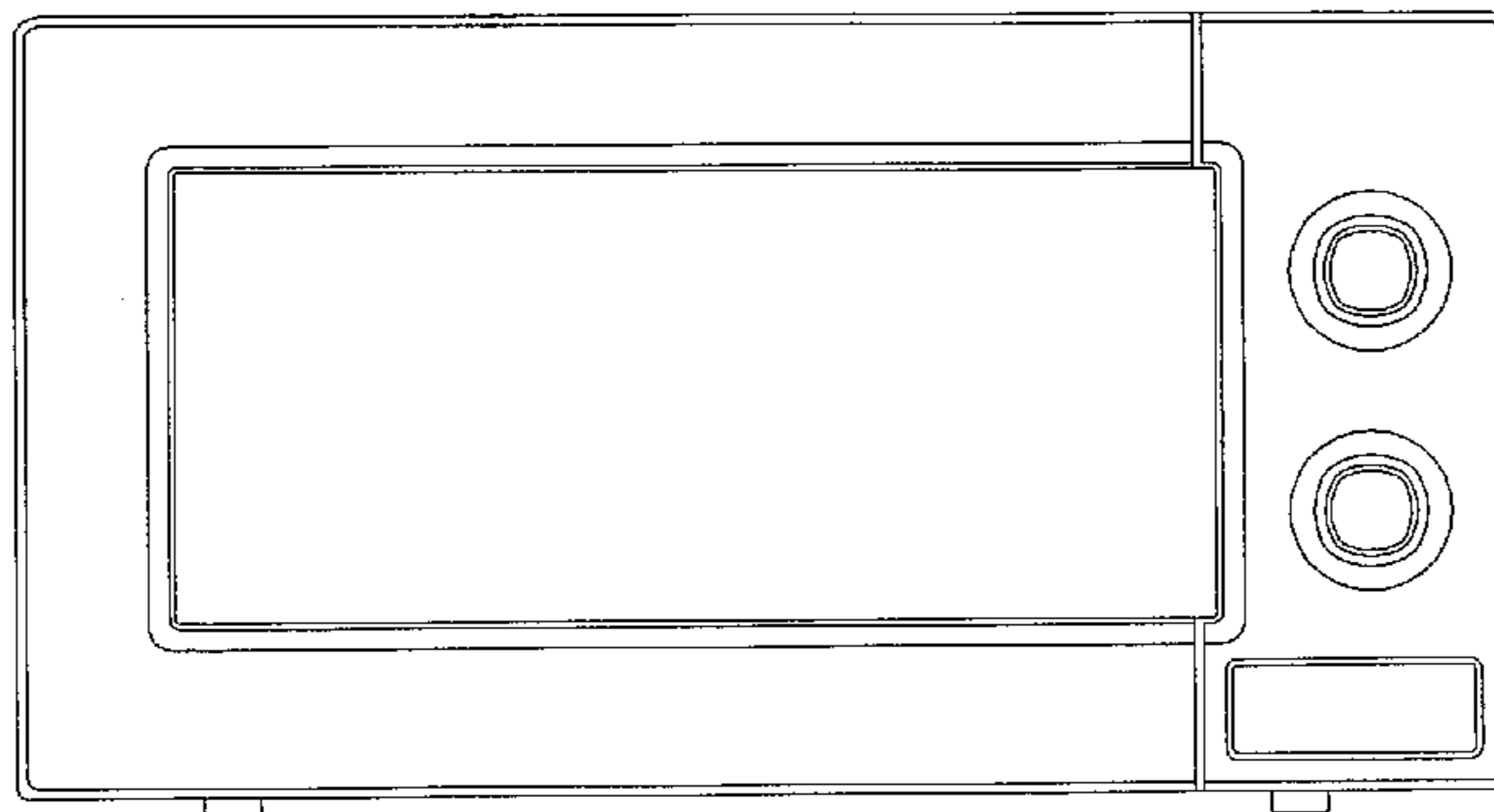
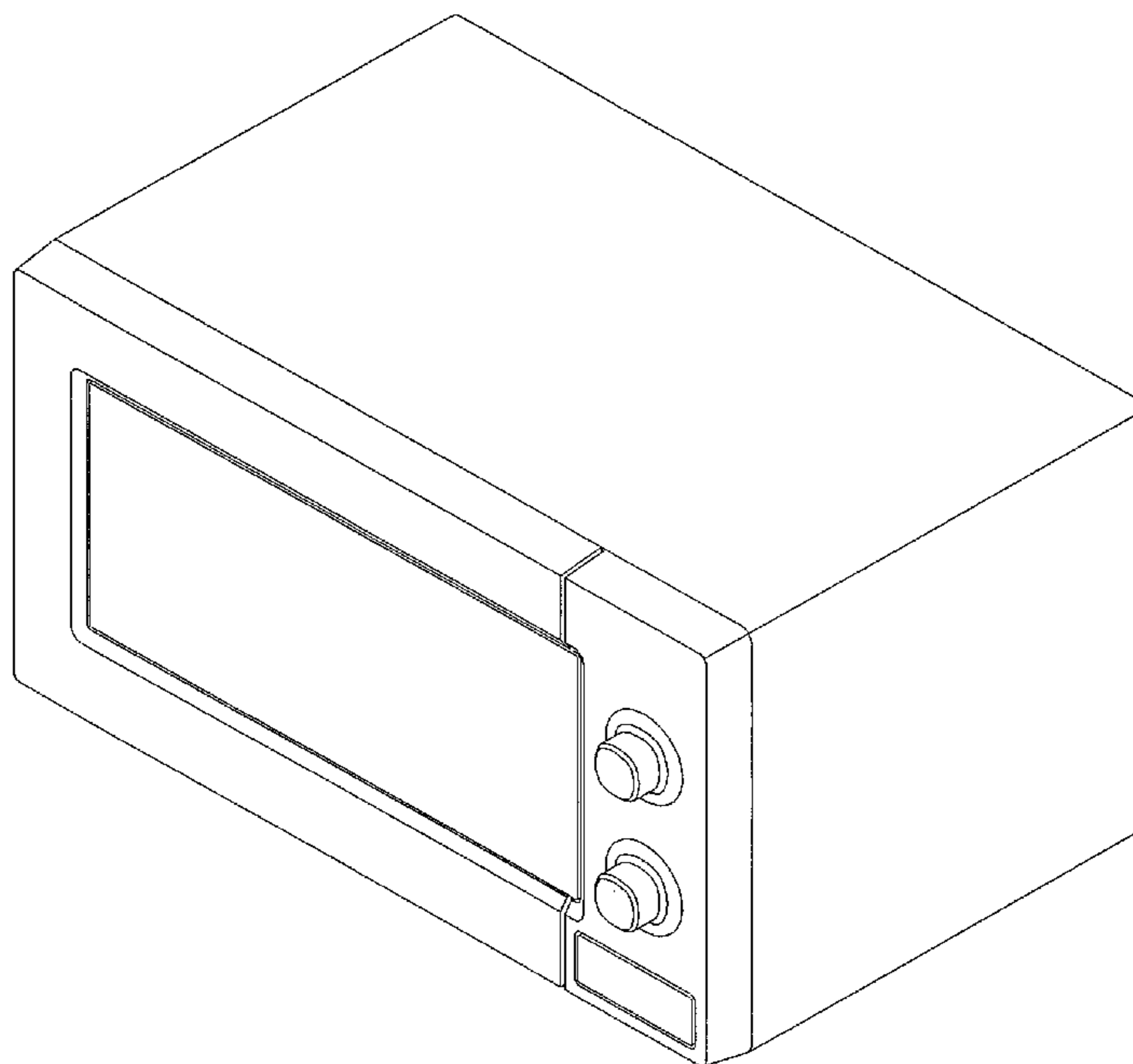


FIG. 1

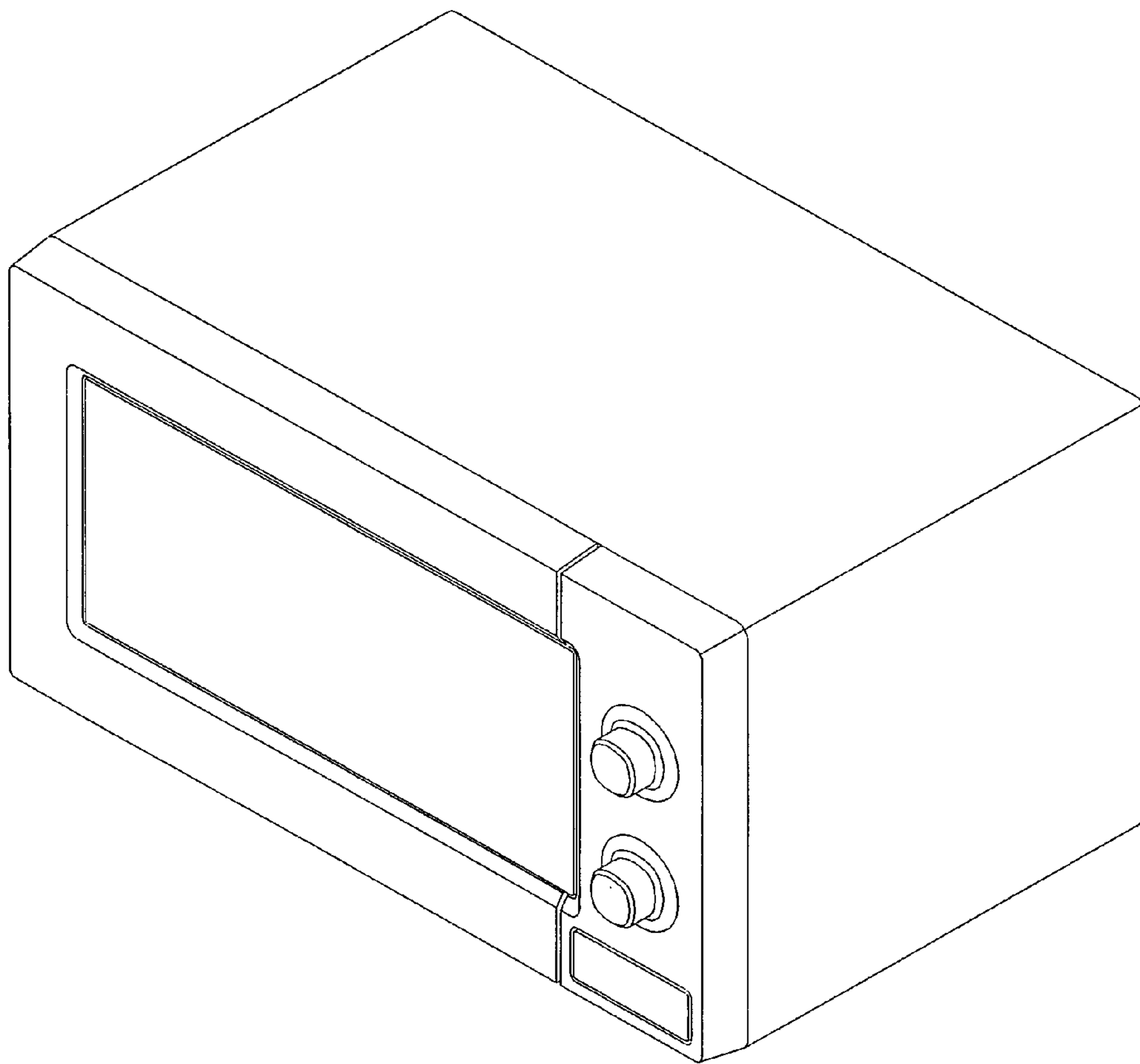


FIG. 2

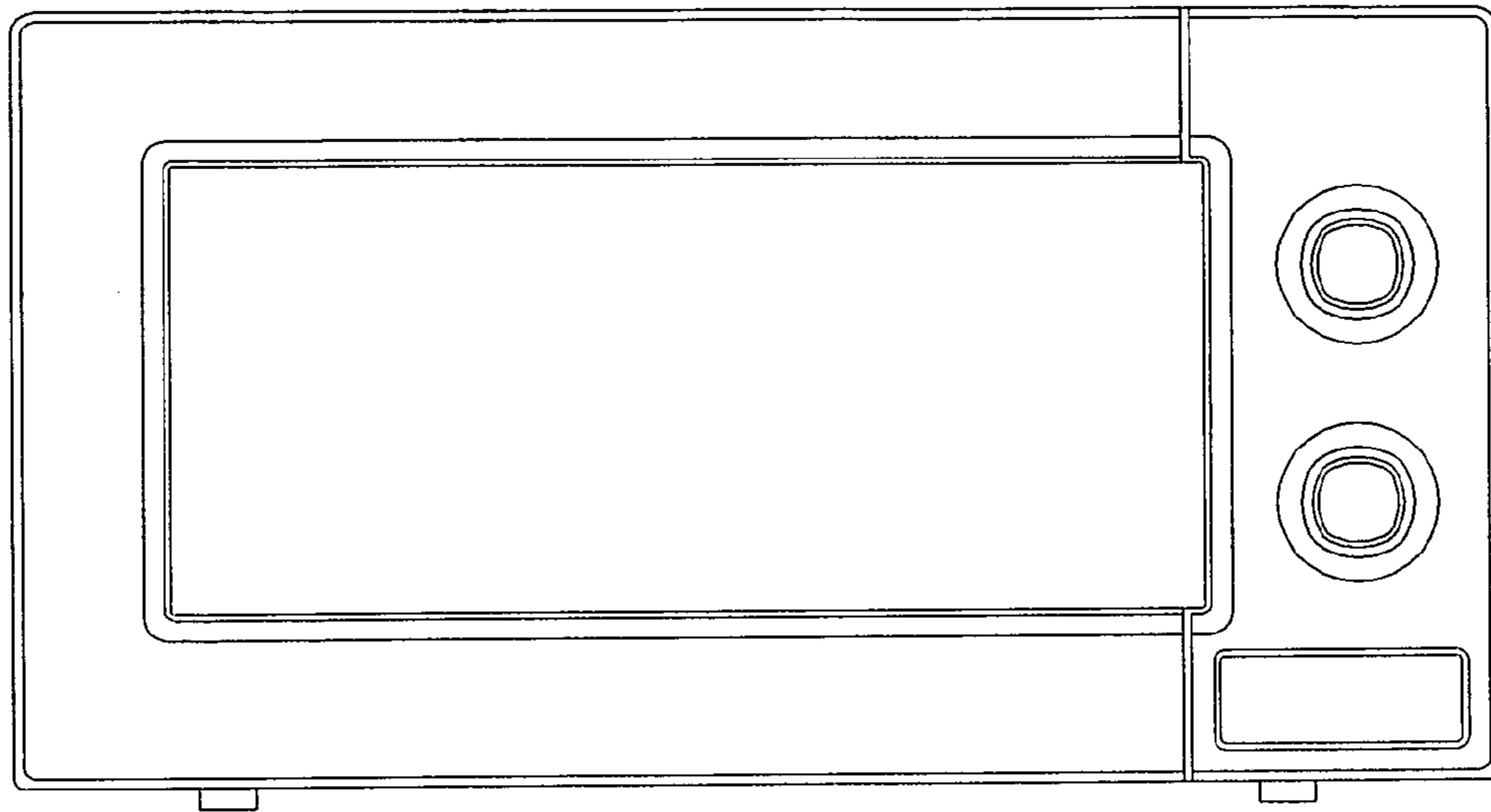


FIG. 3

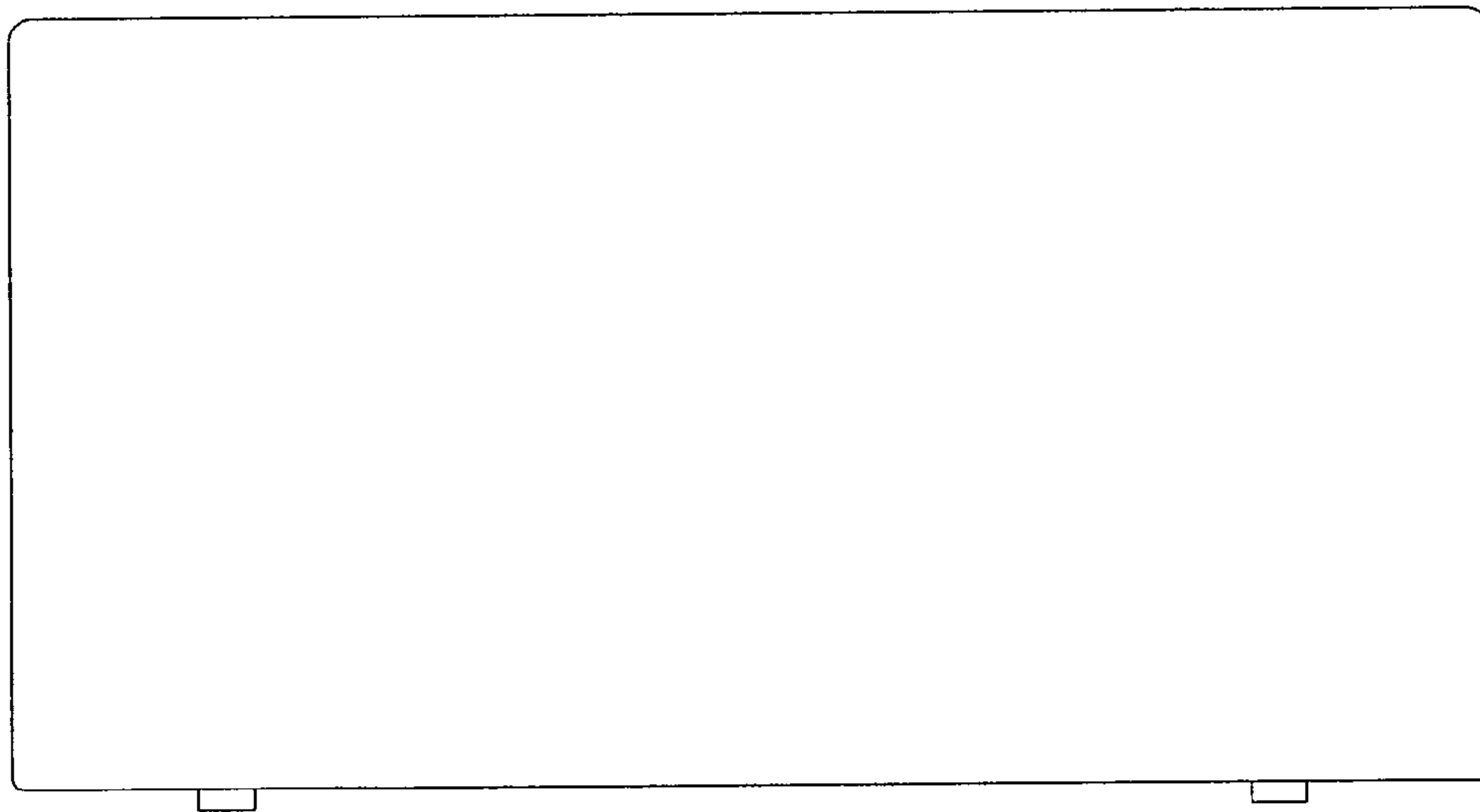


FIG. 4

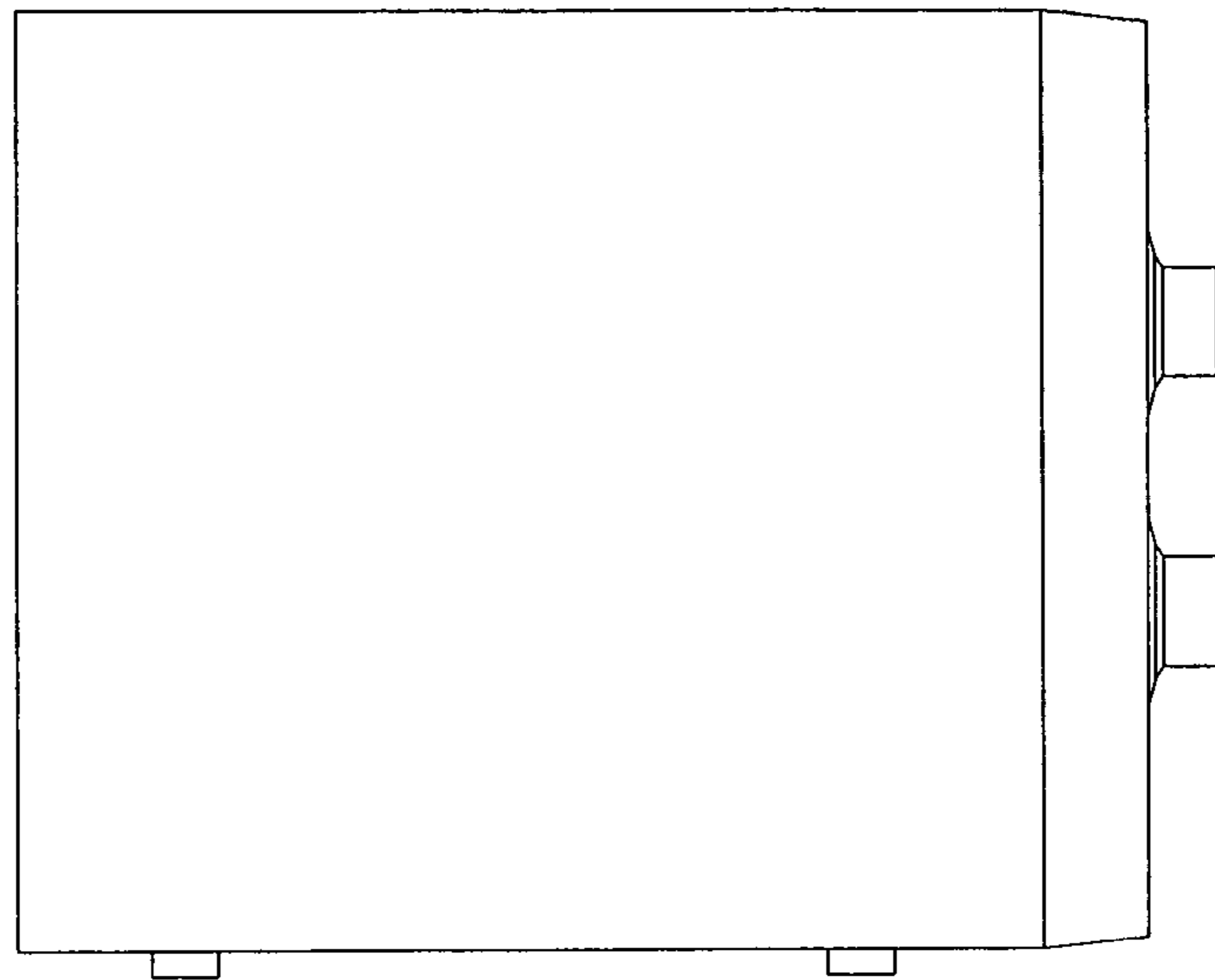


FIG. 5

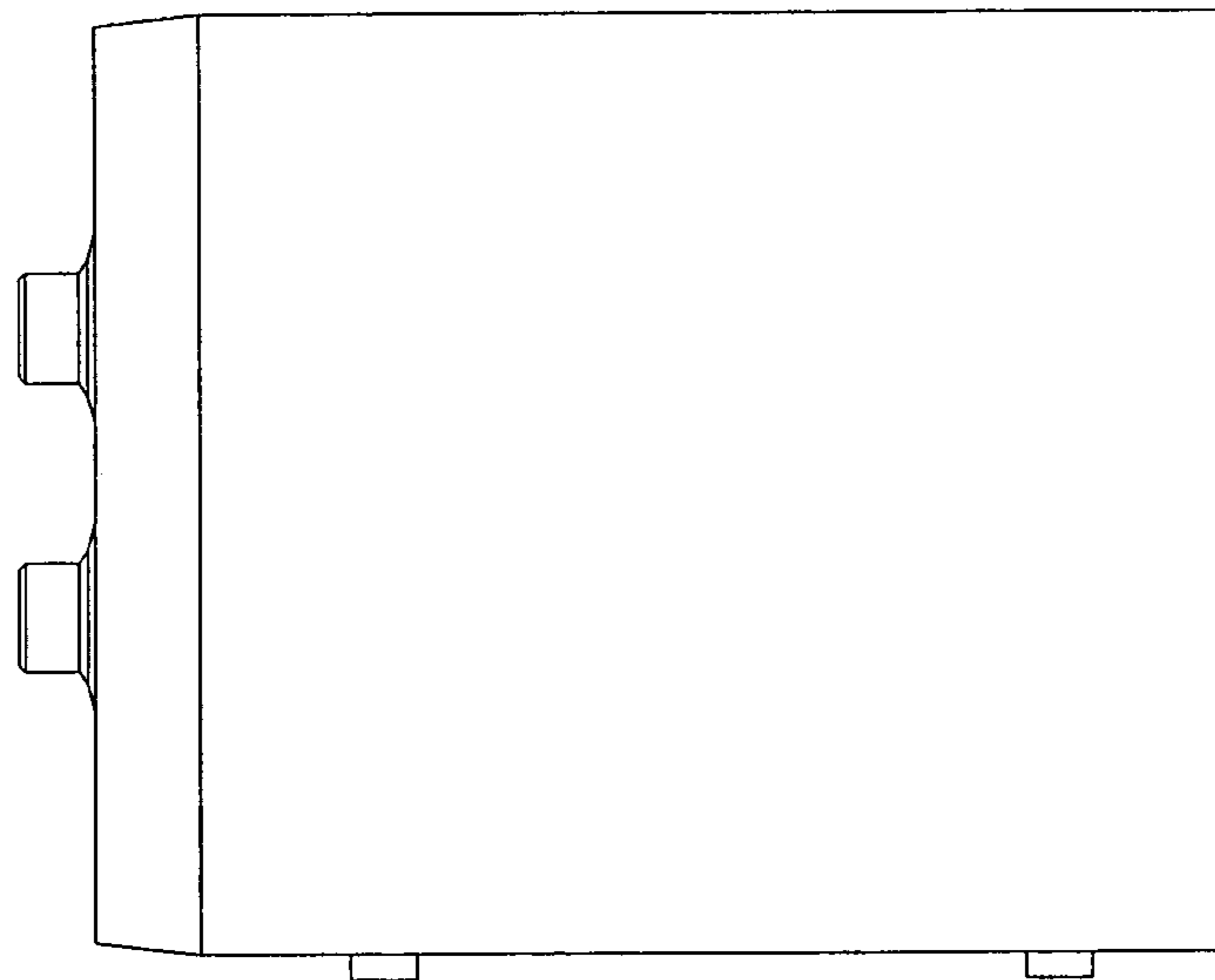


FIG. 6

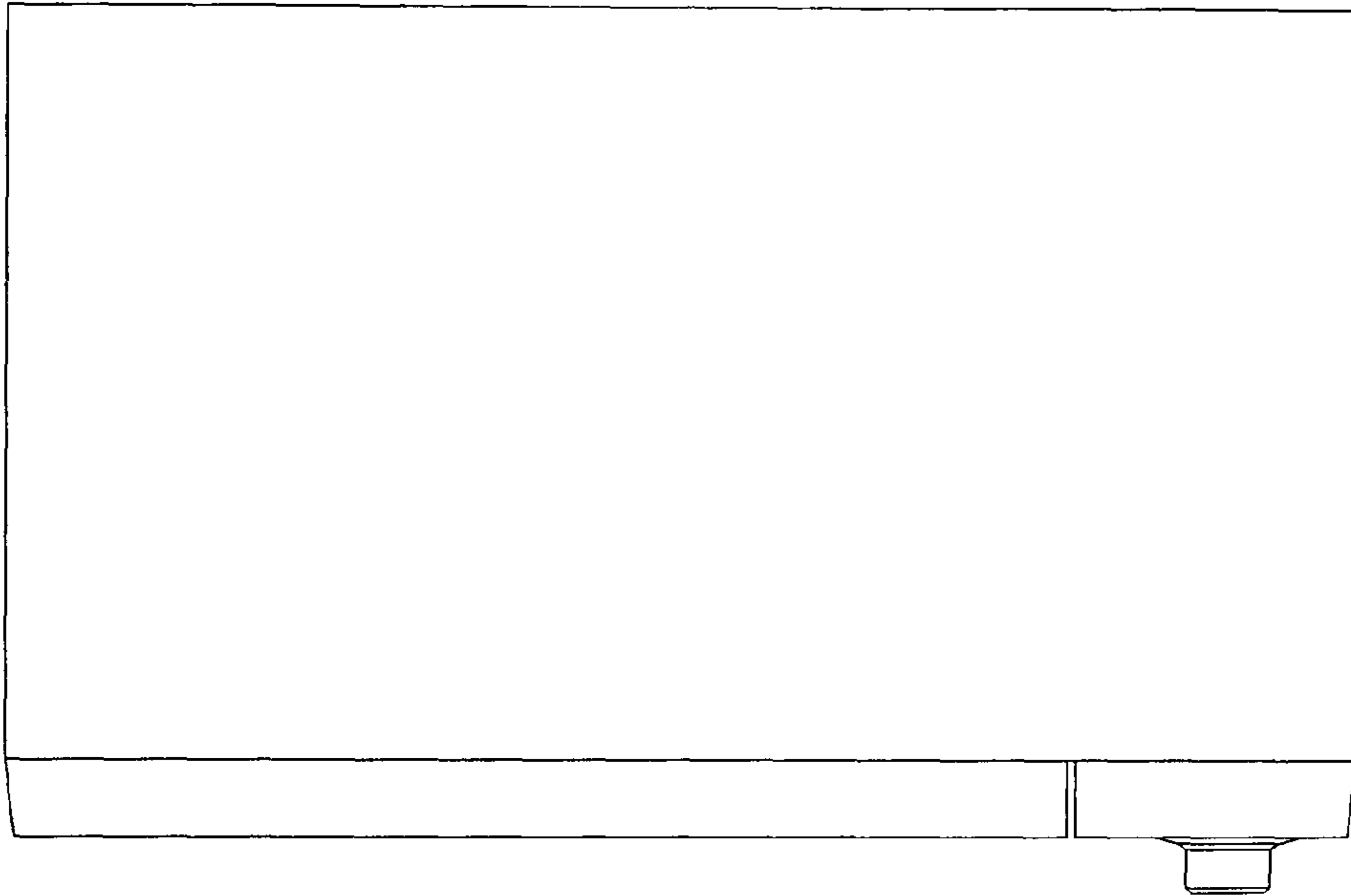


FIG. 7

