

US00D675473S

(12) **United States Design Patent**  
**de Klein**

(10) **Patent No.:** **US D675,473 S**

(45) **Date of Patent:** **\*\* Feb. 5, 2013**

(54) **TEA MAKER**

(75) Inventor: **Nicole Louisa de Klein**, Amsterdam  
(NL)

(73) Assignee: **Koninklijke Philips Electronics N.V.**,  
Eindhoven (NL)

(\*\*) Term: **14 Years**

(21) Appl. No.: **29/389,956**

(22) Filed: **Apr. 19, 2011**

(30) **Foreign Application Priority Data**

Oct. 20, 2010 (EM) ..... 001771007-0001

(51) **LOC (9) Cl.** ..... **07-01**

(52) **U.S. Cl.** ..... **D7/320; D7/321**

(58) **Field of Classification Search** ..... D7/312,  
D7/320, 321, 322, 300; 222/500, 189.07

See application file for complete search history.

(56) **References Cited**

**U.S. PATENT DOCUMENTS**

D115,411 S *	6/1939	Lacy	.....	D7/300
3,218,435 A *	11/1965	Mandziak	.....	219/437
4,385,585 A *	5/1983	Lebowitz	.....	116/67 R
D274,594 S *	7/1984	Lebowitz	.....	D7/320
D274,595 S *	7/1984	Lebowitz	.....	D7/322
D277,253 S *	1/1985	Lax	.....	D7/320
D282,810 S *	3/1986	Urich	.....	D7/322
D361,692 S *	8/1995	Lee	.....	D7/322
D399,090 S *	10/1998	Green	.....	D7/319

D448,235 S *	9/2001	Jørgensen	.....	D7/319
D448,239 S *	9/2001	Ide et al.	.....	D7/399
D455,314 S *	4/2002	Choi	.....	D7/319
D479,091 S *	9/2003	Glucksman et al.	.....	D7/319
D497,511 S *	10/2004	Lebowitz	.....	D7/322
7,004,360 B2 *	2/2006	Lebowitz	.....	222/500
D525,071 S *	7/2006	Lebowitz	.....	D7/321
D541,100 S *	4/2007	Lebowitz	.....	D7/322
D598,235 S *	8/2009	Cozolino	.....	D7/322
7,708,958 B2 *	5/2010	Namespetra et al.	.....	422/300
D622,090 S *	8/2010	Bodum	.....	D7/317
D627,588 S *	11/2010	Wang Chen	.....	D7/320
2006/0163174 A1 *	7/2006	Namespetra et al.	.....	210/760

\* cited by examiner

*Primary Examiner* — Marianne Pandozzi

(57) **CLAIM**

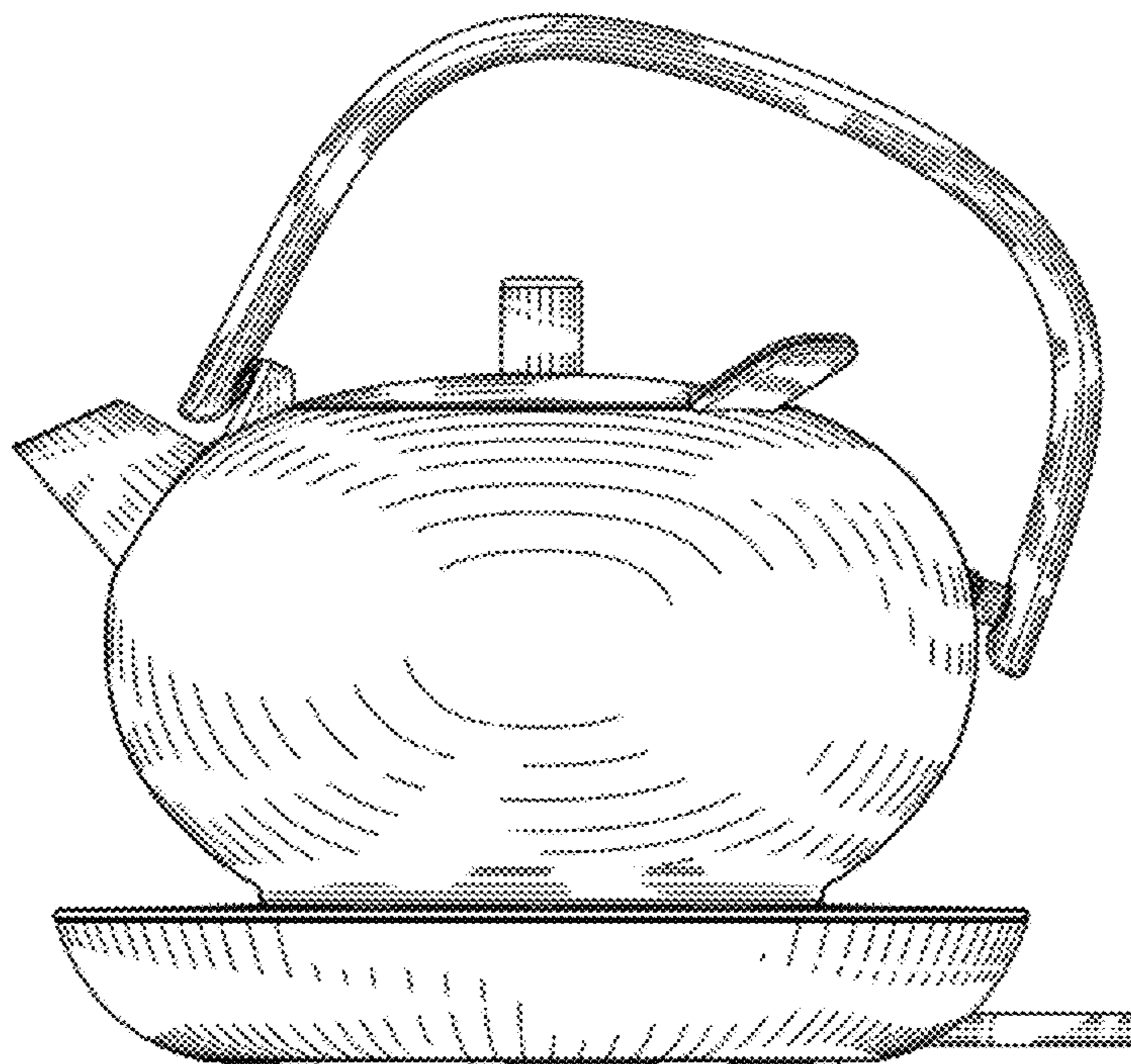
The ornamental design for a tea maker, as shown and described.

**DESCRIPTION**

FIG. 1 is a perspective view showing my design;  
 FIG. 2 is a front elevational view thereof;  
 FIG. 3 is a rear elevational view thereof;  
 FIG. 4 is a right side elevational view thereof;  
 FIG. 5 is a left side elevational view thereof;  
 FIG. 6 is a top plan view thereof; and,  
 FIG. 7 is a bottom plan view thereof.

The portions of the tea maker shown in broken lines form no part of the claimed design.

**1 Claim, 7 Drawing Sheets**



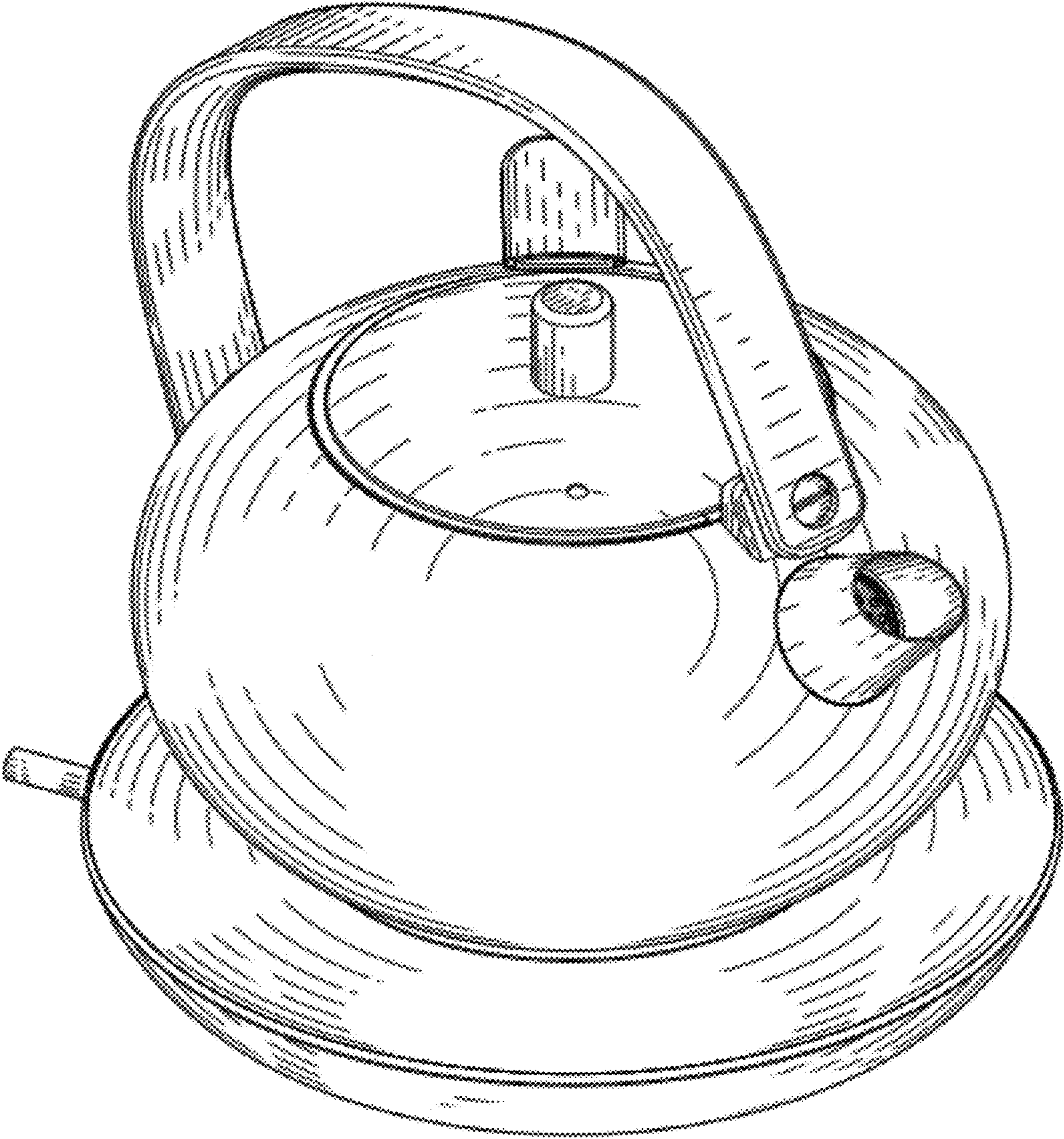


FIG. 1



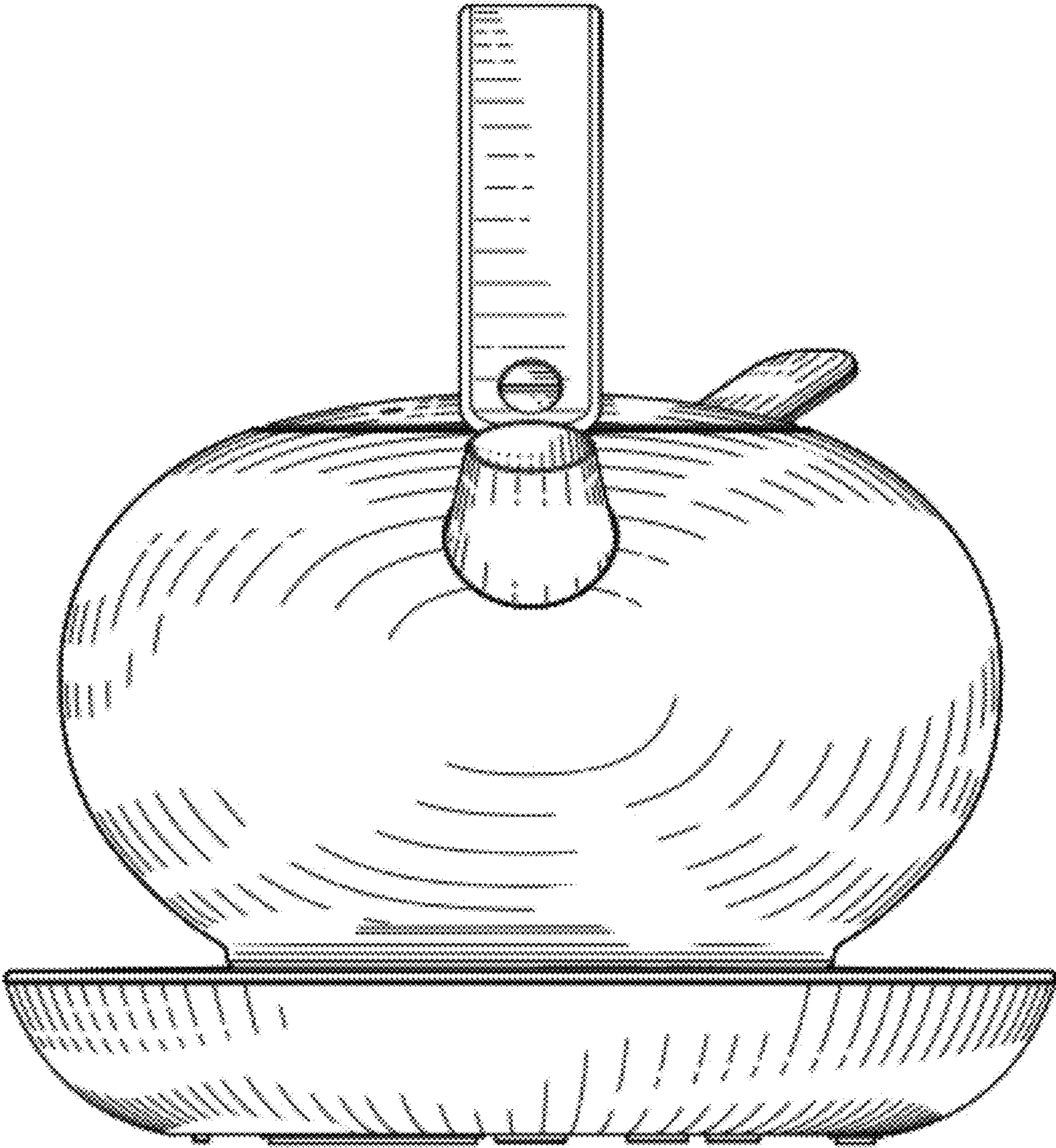


FIG. 2

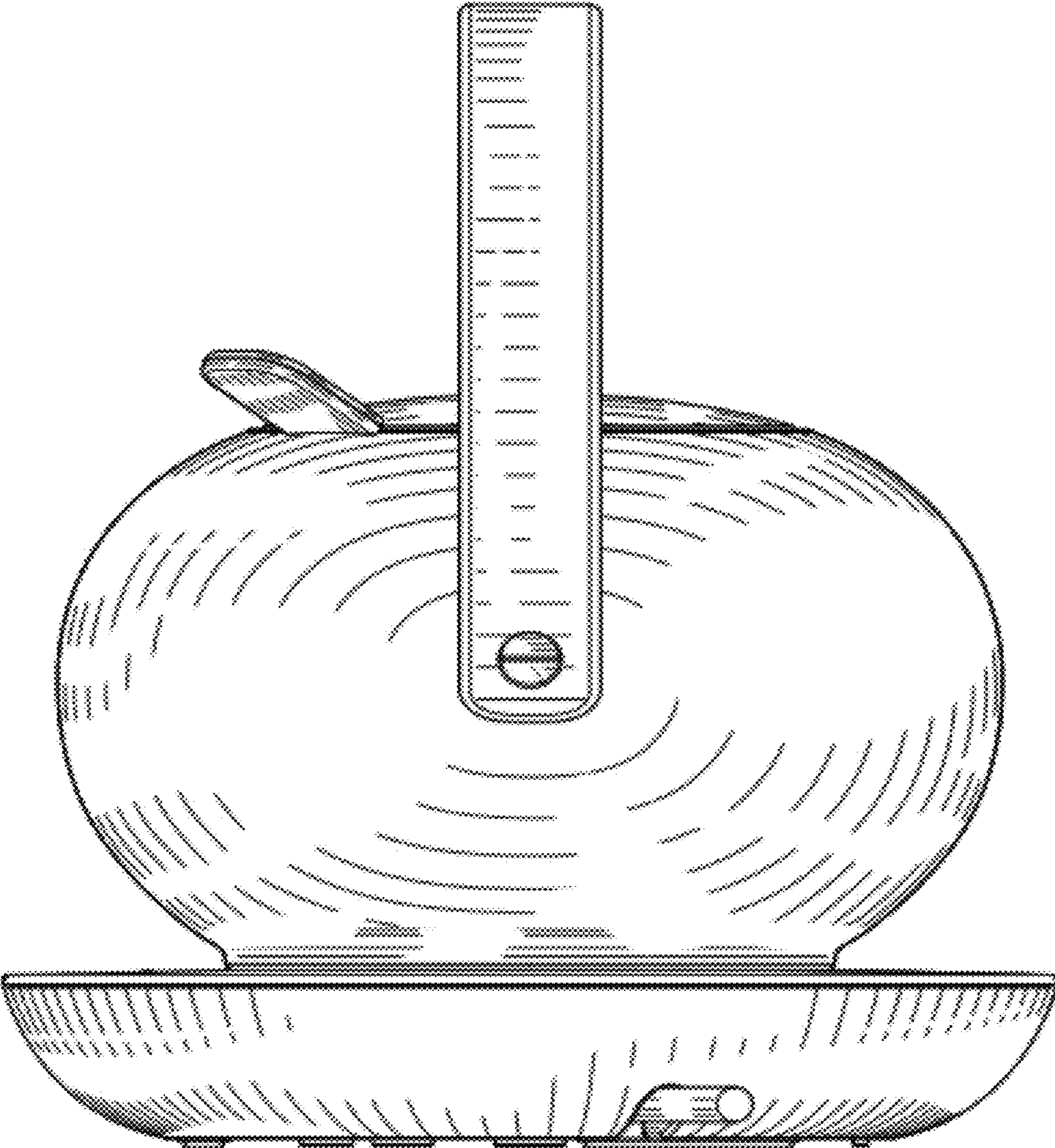


FIG. 3

REPLACEMENT SHEET

XXXXXXXXXXXXXXXXXXXX

47

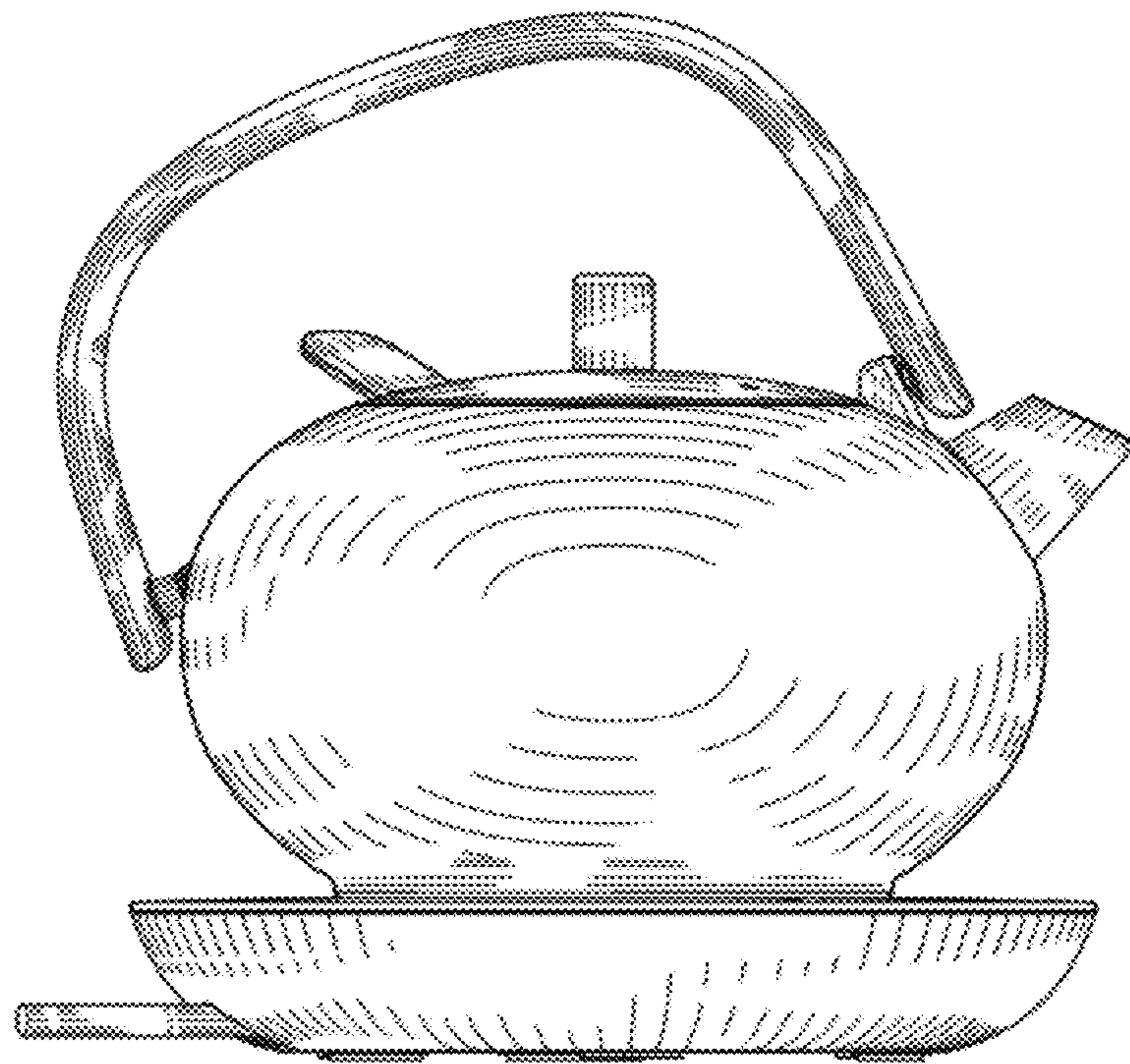


FIG. 4



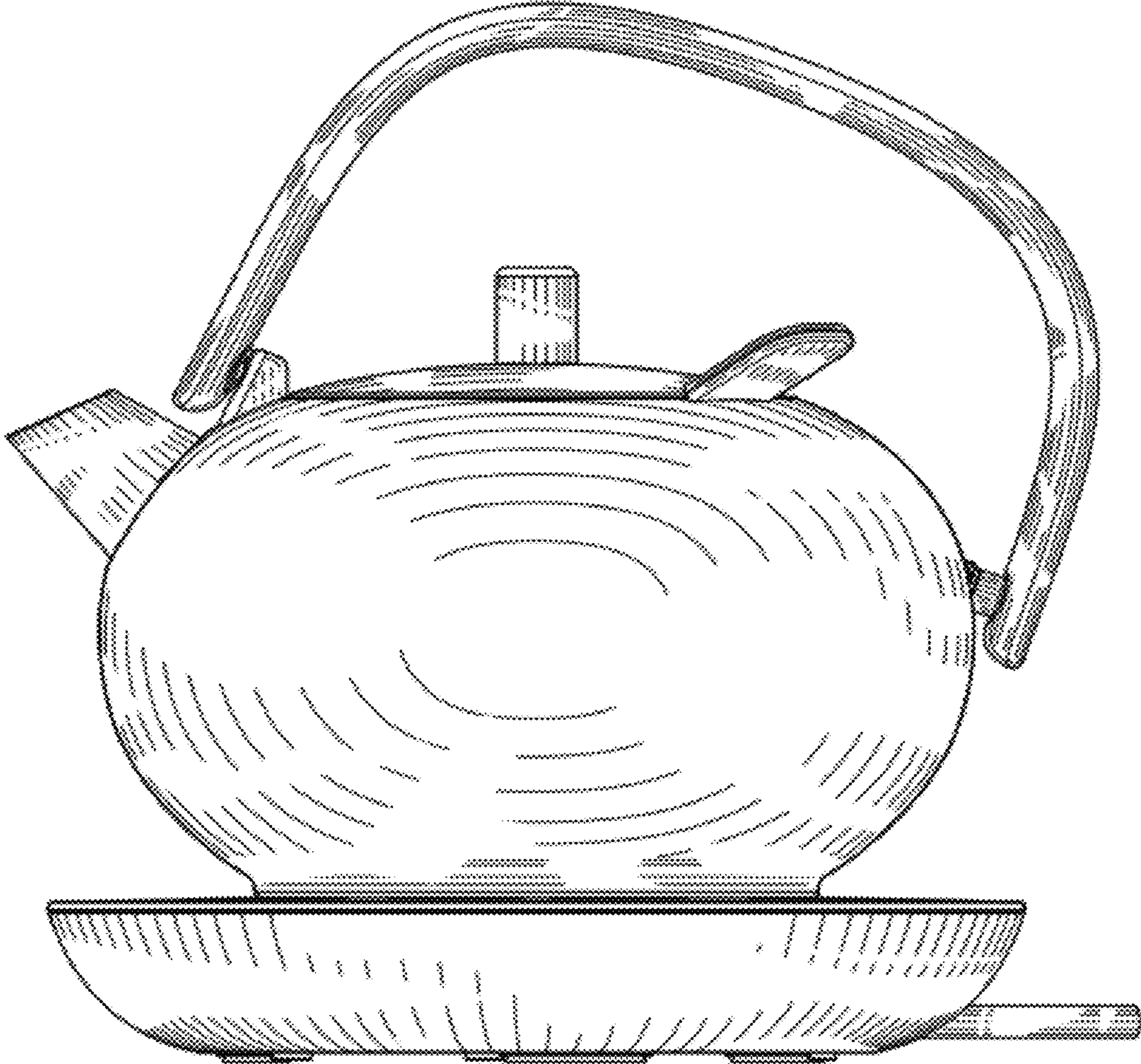


FIG. 5

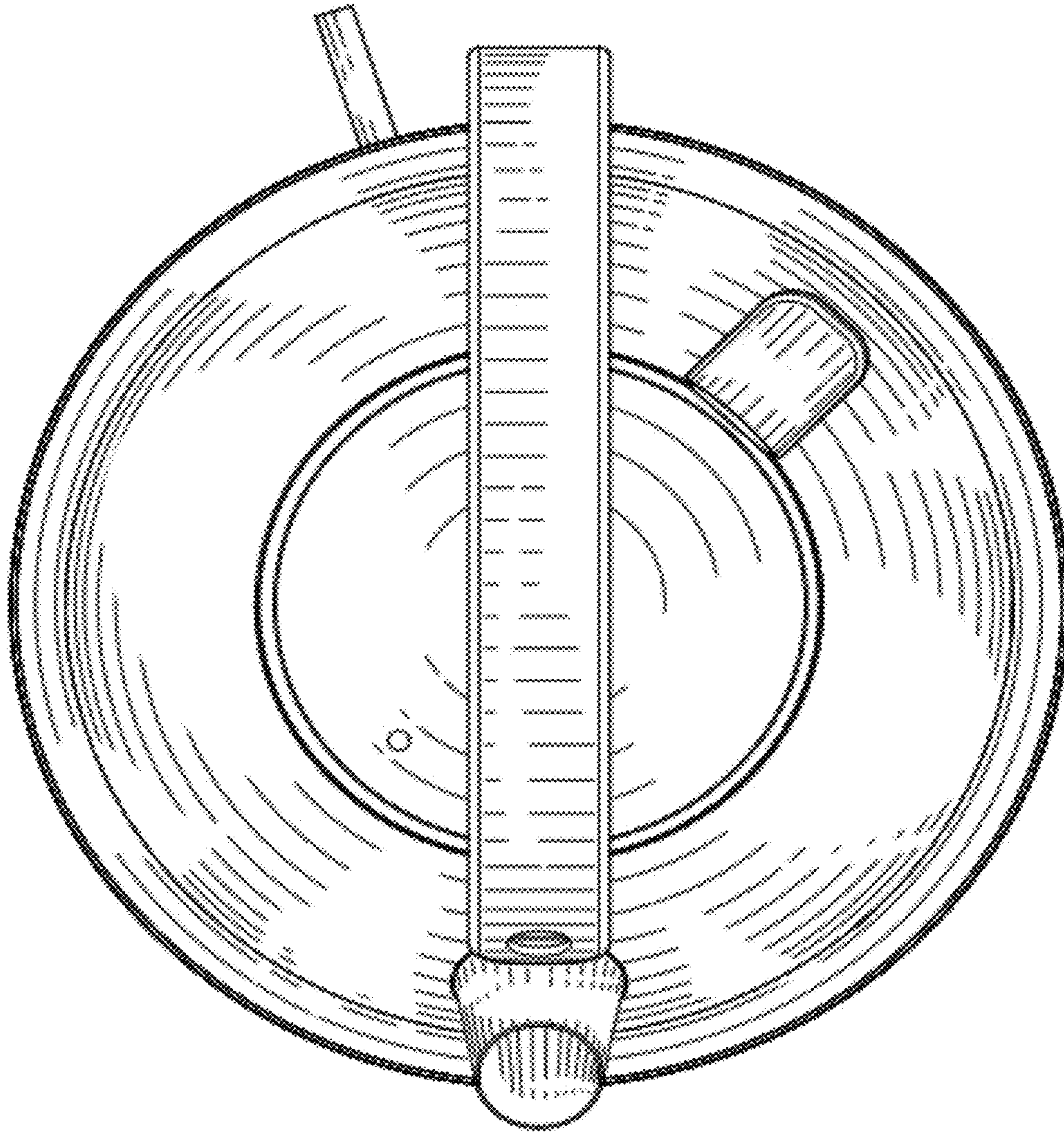


FIG. 6



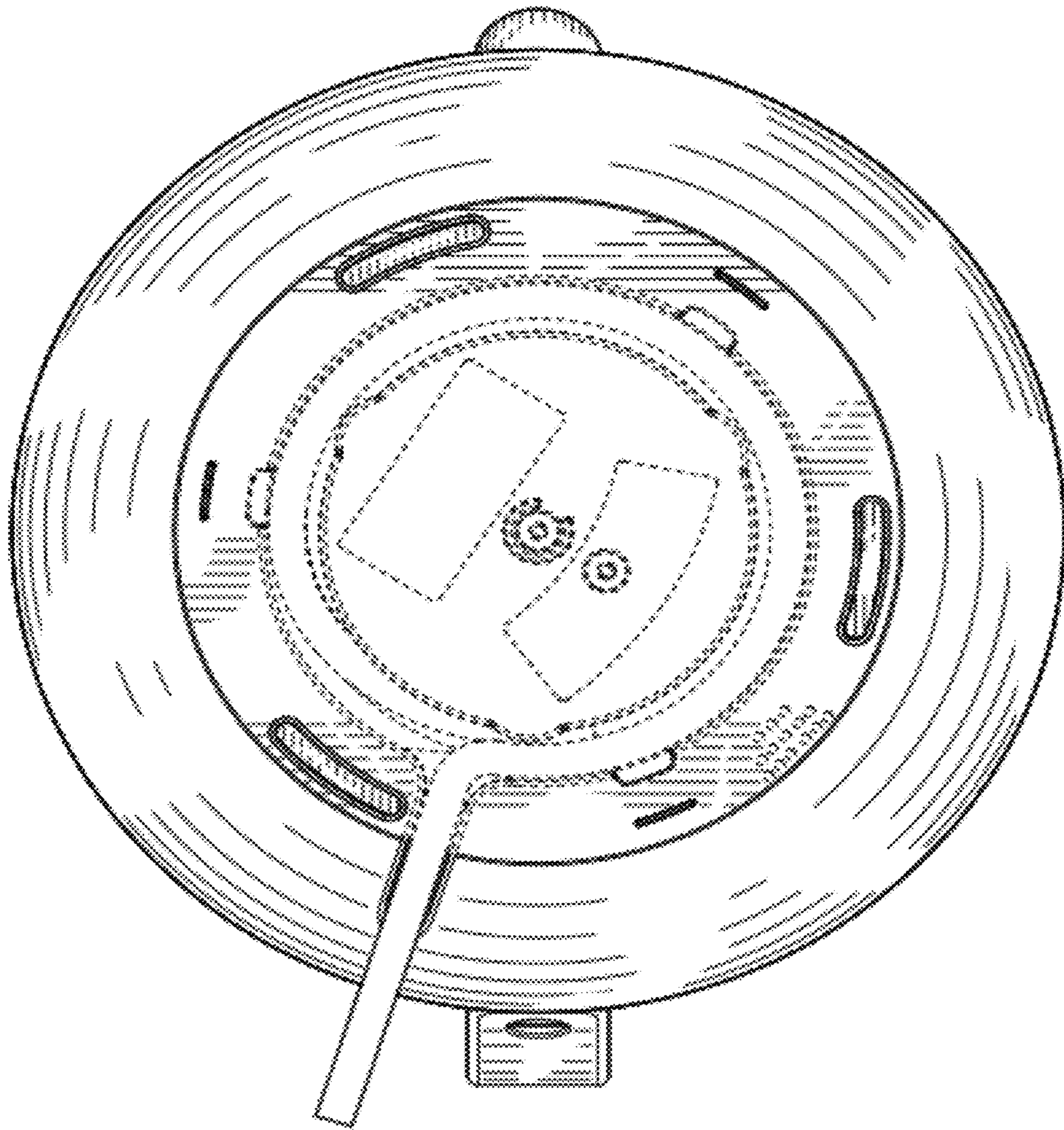


FIG. 7