



US00D675467S

(12) **United States Design Patent**
Gil Gomez et al.

(10) **Patent No.:** **US D675,467 S**

(45) **Date of Patent:** **** Feb. 5, 2013**

(54) **PATIENT TRANSFER MATTRESS COVER**

(75) Inventors: **Michael Alberto Gil Gomez**, Atlanta, GA (US); **Michelle R. Wilson**, Caledonia, MS (US); **Matthew S. Heinrich**, Seattle, WA (US); **Shelly Brackett**, Eugene, OR (US)

(73) Assignee: **Ecolab USA Inc.**, Saint Paul, MN (US)

(**) Term: **14 Years**

(21) Appl. No.: **29/399,569**

(22) Filed: **Aug. 16, 2011**

(51) **LOC (9) Cl.** **06-13**

(52) **U.S. Cl.** **D6/606**

(58) **Field of Classification Search** D6/595–603, D6/606; 5/81.1 R, 81.1 T, 417, 420, 487, 5/494, 499, 501, 600, 624–626, 658, 662, 5/699, 723, 737, 738; D24/183, 184

See application file for complete search history.

(56) **References Cited**

U.S. PATENT DOCUMENTS

1,697,633	A *	1/1929	Copeland	5/499
2,343,260	A *	3/1944	Leader et al.	5/499
3,893,198	A	7/1975	Blair	
3,935,604	A	2/1976	Collins	
4,092,750	A	6/1978	Ellis	
4,744,115	A *	5/1988	Marchione	5/81.1 T
4,872,226	A *	10/1989	Lonardo	5/81.1 T
5,065,464	A	11/1991	Blanchard et al.	
5,138,731	A *	8/1992	Harcrow, Jr.	5/625
5,452,487	A	9/1995	Leggett	
D436,281	S *	1/2001	Thompson	D6/596
6,199,235	B1	3/2001	Spahn et al.	
7,228,579	B2	6/2007	Tidwell	
7,340,785	B2	3/2008	Weedling et al.	
7,340,787	B1 *	3/2008	Willard et al.	5/662
7,520,004	B2 *	4/2009	Czop	5/411
7,818,836	B2 *	10/2010	Stinson	5/487
2002/0166168	A1	11/2002	Weedling et al.	

2006/0213010	A1 *	9/2006	Davis	5/626
2006/0253976	A1 *	11/2006	Weedling et al.	5/81.1 R
2009/0144894	A1 *	6/2009	Shiffert	5/81.1 T
2010/0299836	A1 *	12/2010	Tanaka et al.	5/626
2011/0035880	A1	2/2011	Cole et al.	
2011/0271444	A1 *	11/2011	Davis	5/81.1 R

FOREIGN PATENT DOCUMENTS

GB	2447406	A	9/2008
WO	2010082021	A1	7/2010

* cited by examiner

Primary Examiner — Mary Ann Calabrese

(74) *Attorney, Agent, or Firm* — McKee, Voorhees & Sease, P.L.C.

(57) **CLAIM**

The ornamental design for patient transfer mattress cover, as shown and described.

DESCRIPTION

FIG. 1 is a top side perspective view of a patient transfer mattress cover showing our new design;

FIG. 2 is a bottom side perspective view of the patient transfer mattress cover shown in FIG. 1;

FIG. 3 is a top plan view of the patient transfer mattress cover shown in FIG. 1;

FIG. 4 is a bottom plan view of the patient transfer mattress cover shown in FIG. 1;

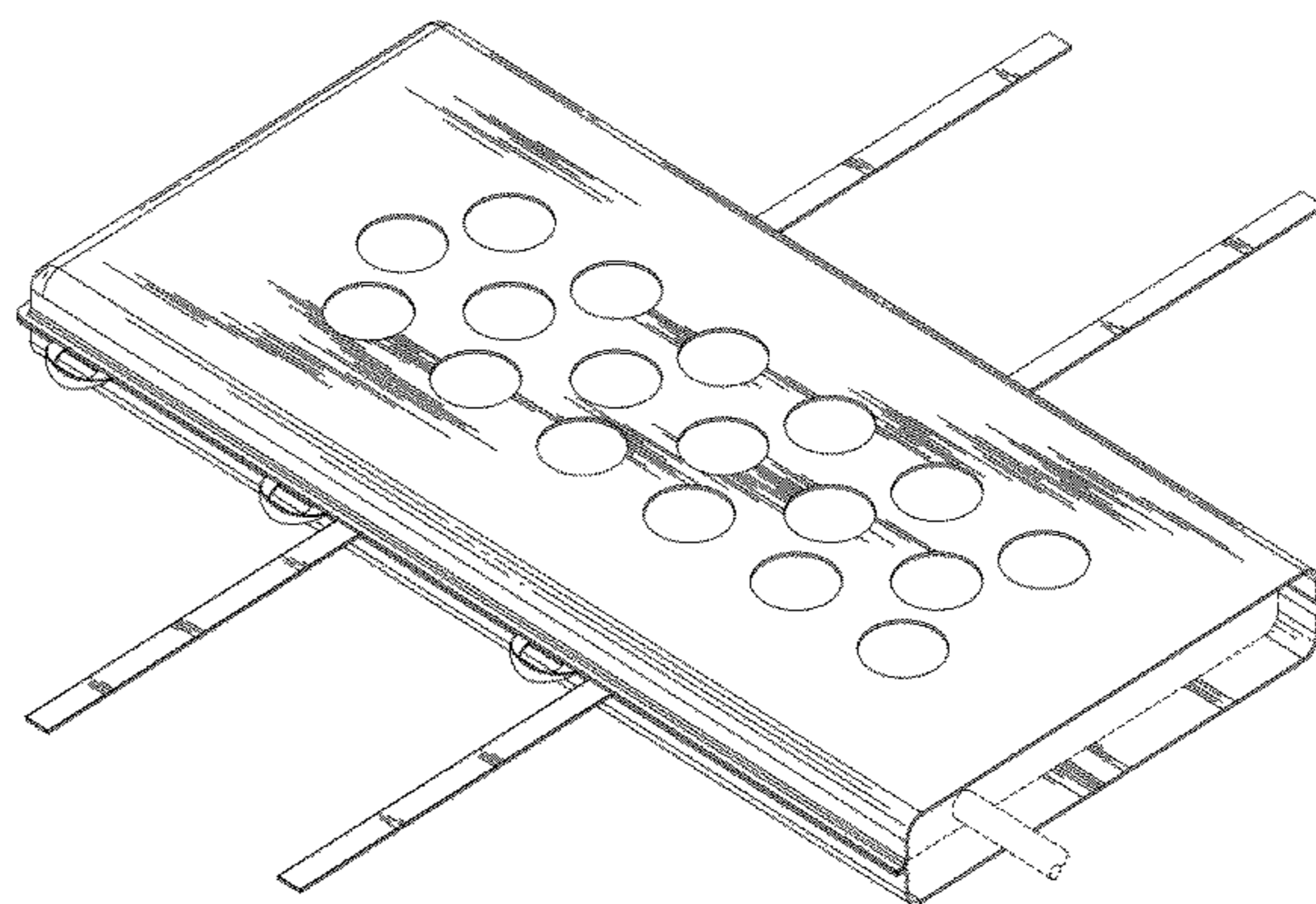
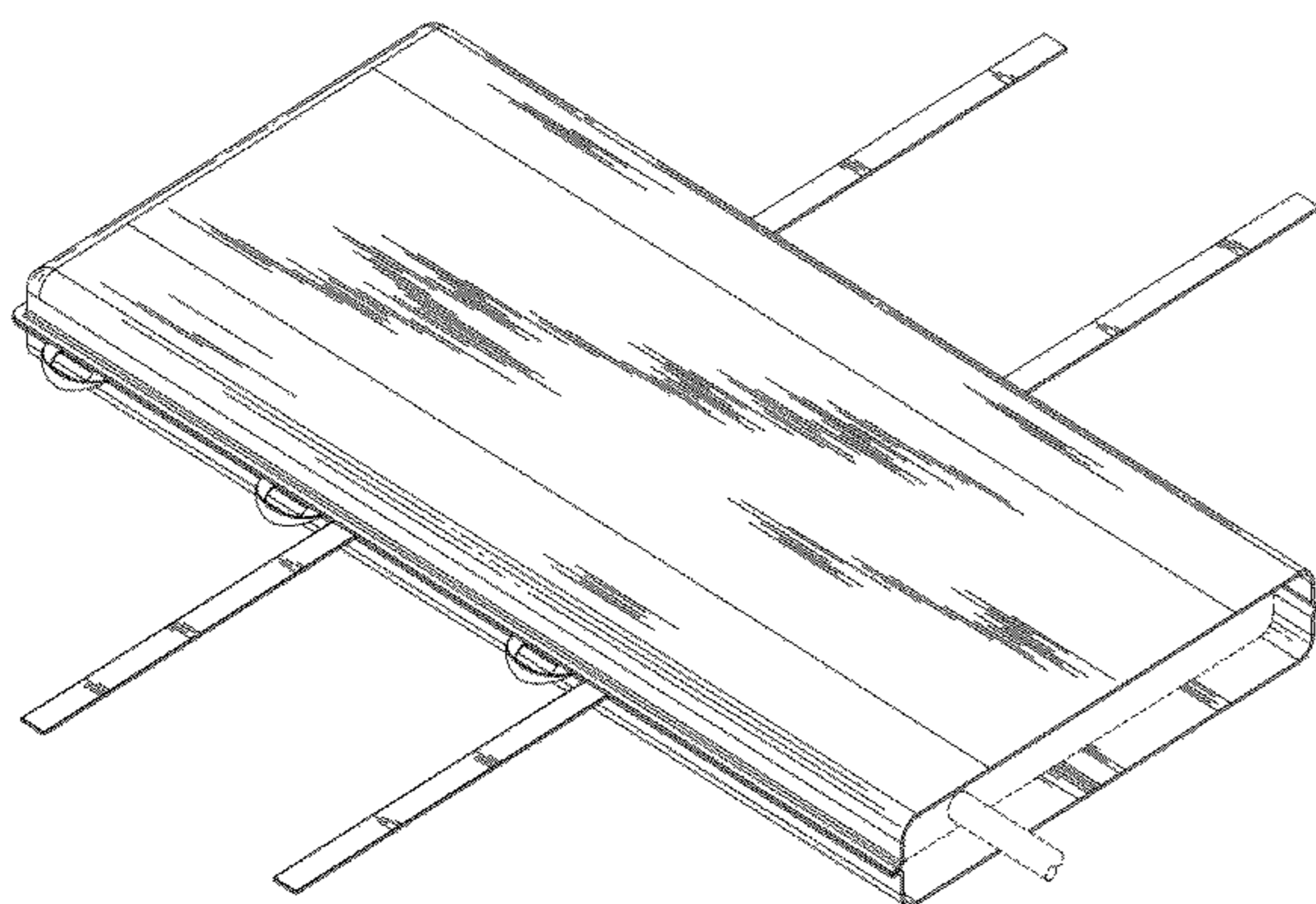
FIG. 5 is an end view of the patient transfer mattress cover shown in FIG. 1;

FIG. 6 is an opposite end view of the patient transfer mattress cover shown in FIG. 1; and,

FIG. 7 is a side view of the patient transfer mattress cover shown in FIG. 1.

In the drawings, the broken lines represent features of the patient transfer mattress cover that form no part of the claimed design. FIGS. 3 and 4 include portions shown broken away for ease of disclosure on the drawing sheet.

1 Claim, 5 Drawing Sheets



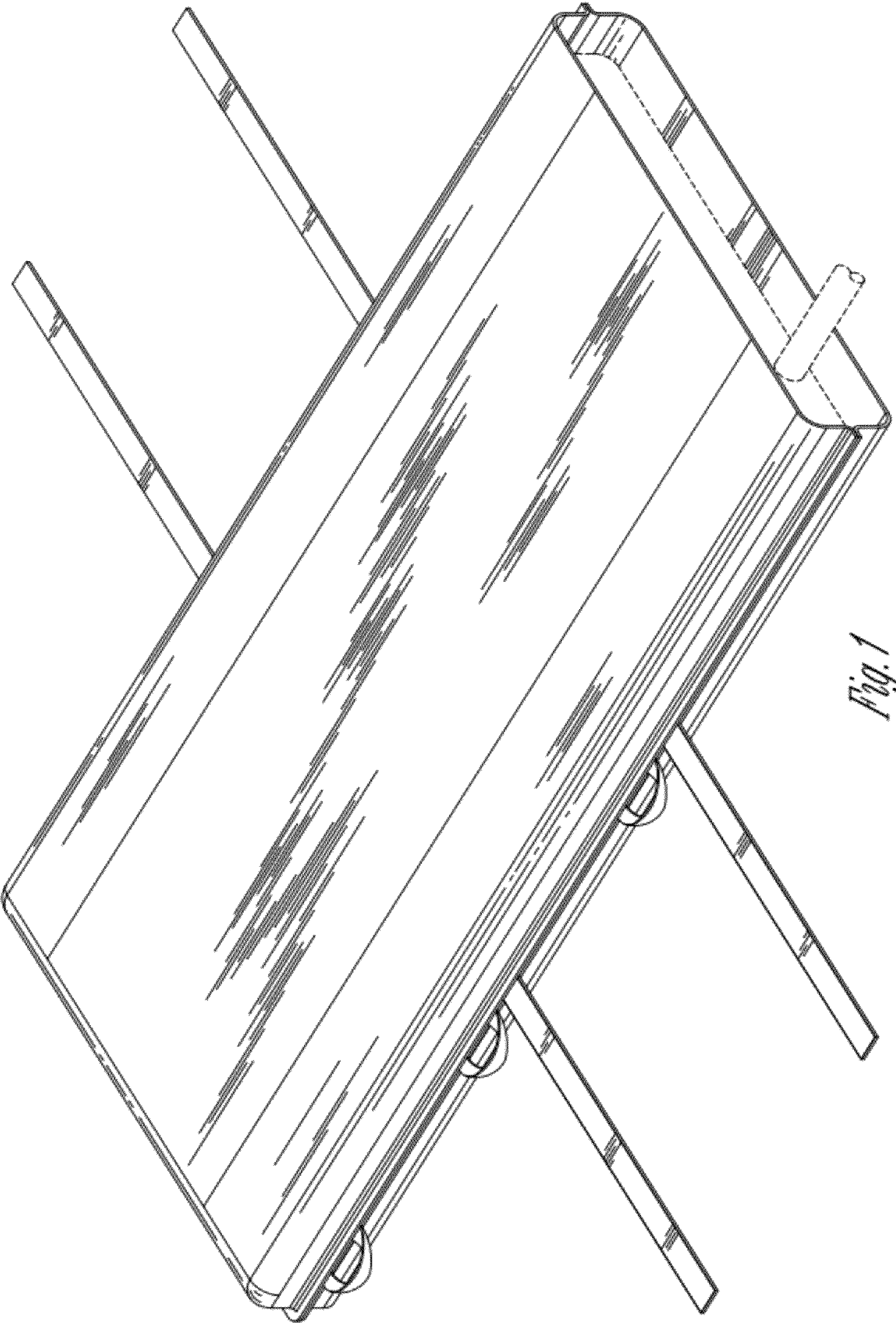


Fig. 1

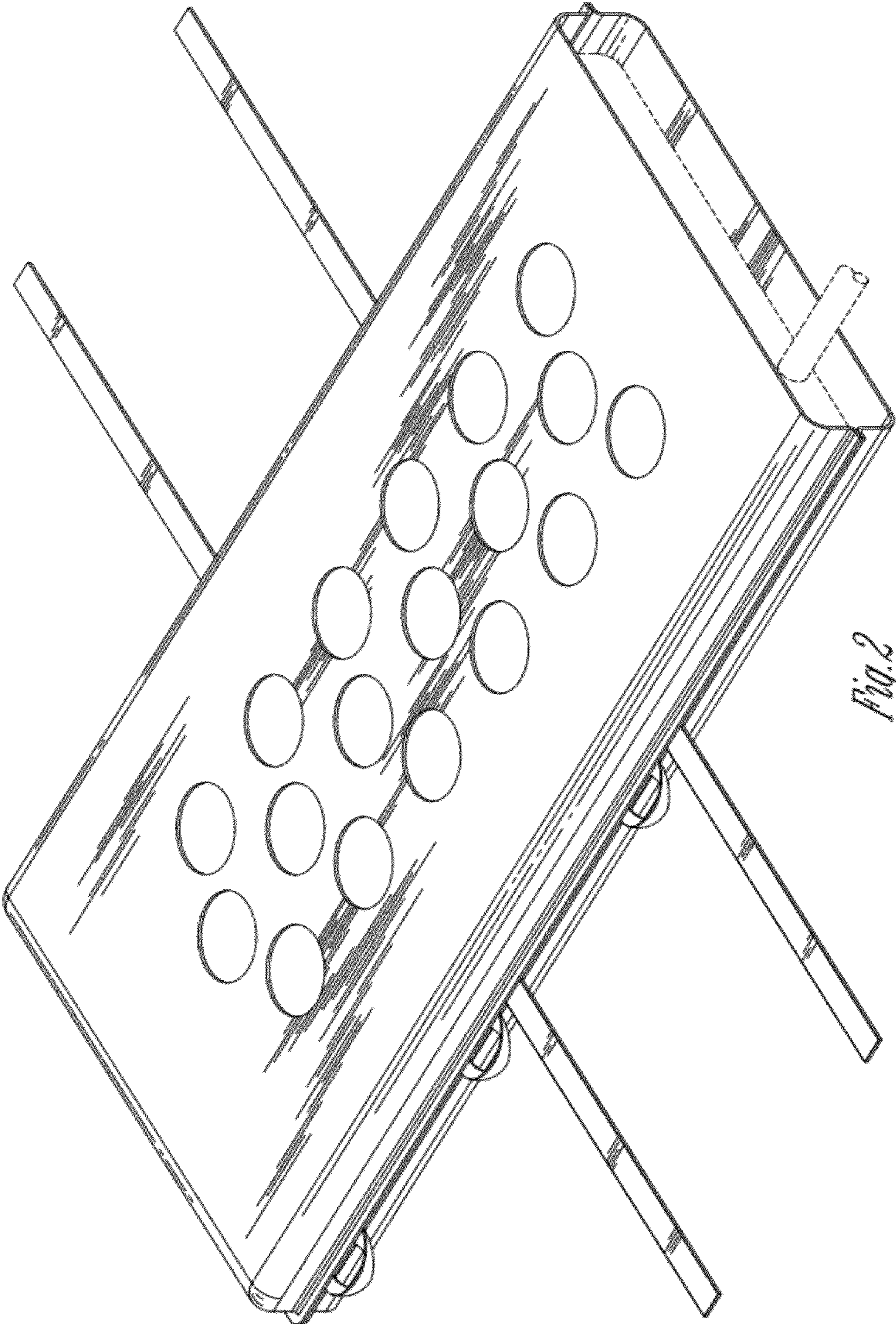


Fig. 2

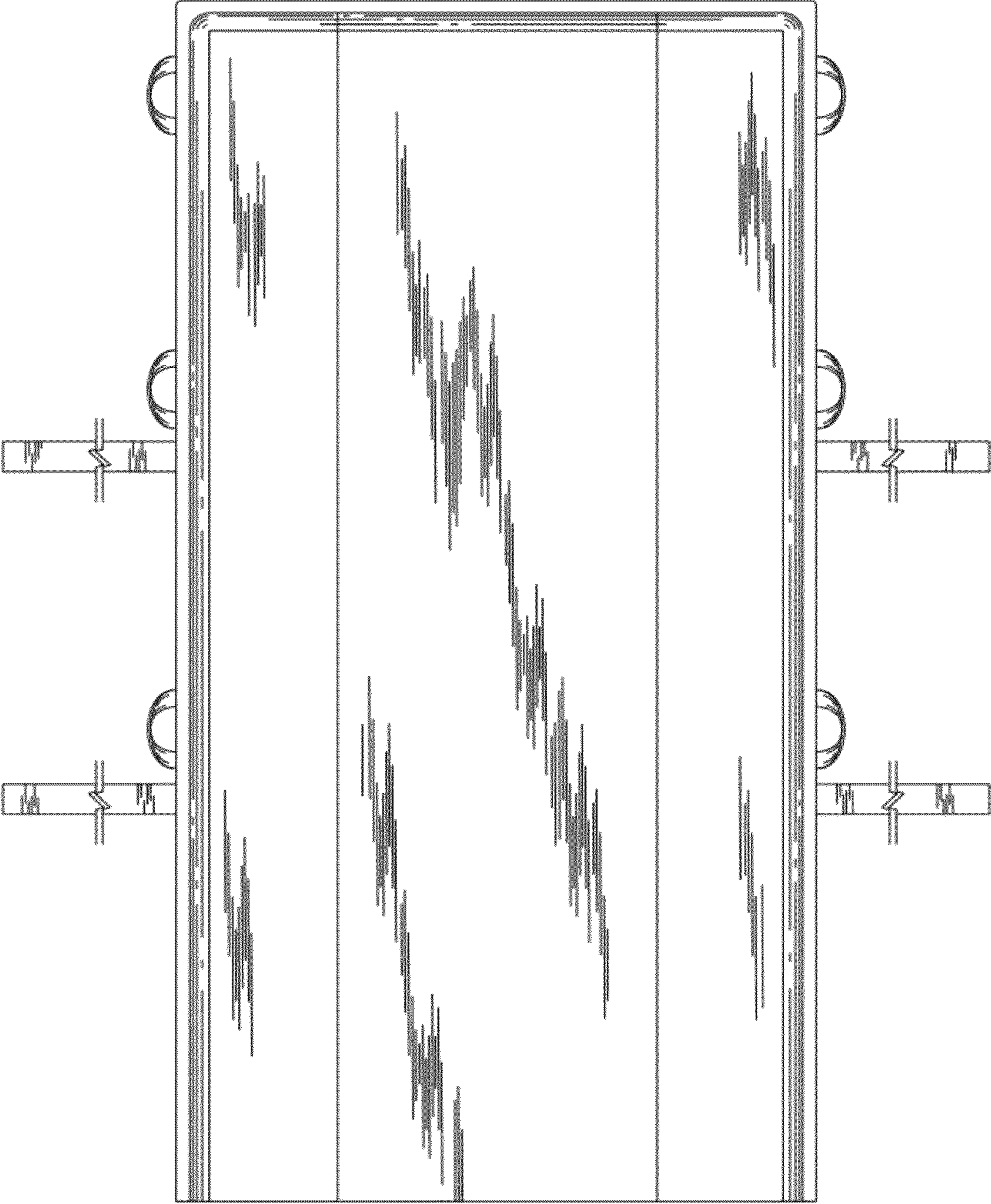


Fig. 3

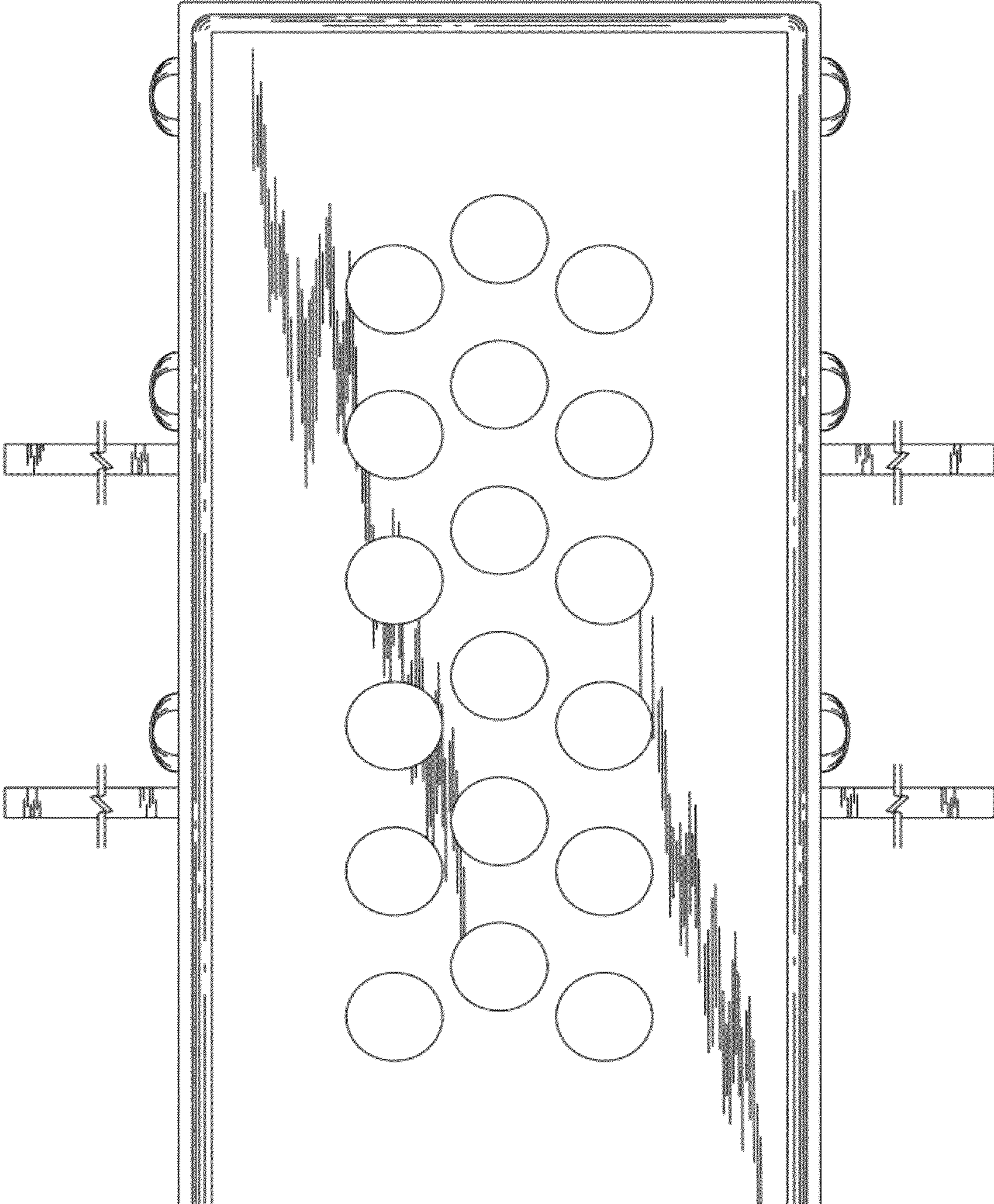


Fig. 4

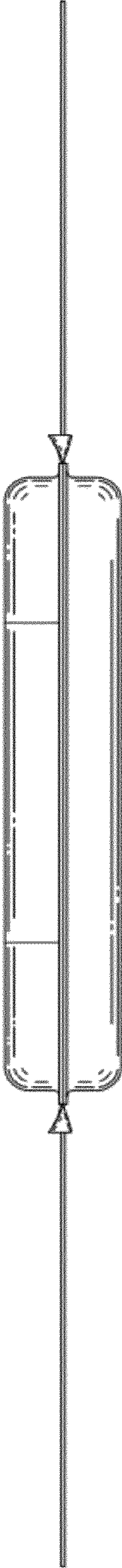


Fig. 5

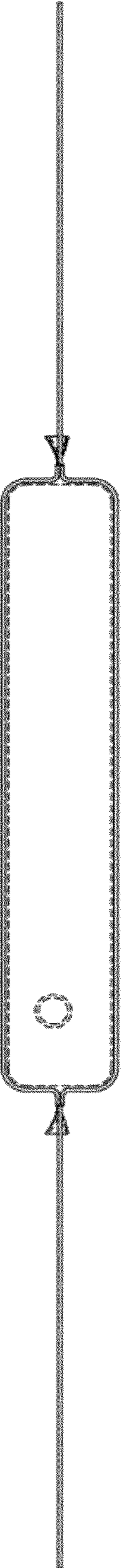


Fig. 6

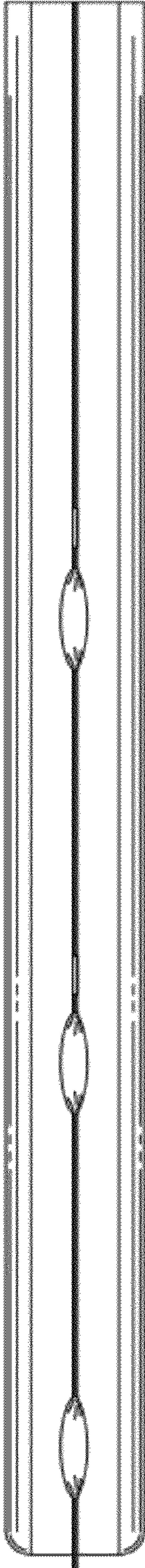


Fig. 7