



US00D675466S

(12) **United States Design Patent**
Goodman et al.

(10) **Patent No.:** **US D675,466 S**
(45) **Date of Patent:** **** Feb. 5, 2013**

(54) **TWIST OVER THE CABINET BASKET**

(75) Inventors: **Sheldon H. Goodman**, Solon, OH (US);
Phaysouk Xayoiphonh, Akron, OH
(US); **Grace Lee**, Mayfield, OH (US)

(73) Assignee: **Spectrum Diversified Designs, Inc.**,
Streetsboro, OH (US)

(**) Term: **14 Years**

(21) Appl. No.: **29/424,106**

(22) Filed: **Jun. 7, 2012**

(51) **LOC (9) Cl.** **06-04**

(52) **U.S. Cl.** **D6/566**

(58) **Field of Classification Search** D6/512-514,
D6/553, 566, 567, 569, 315, 320, 327; D8/349,
D8/354, 367, 372; 248/301-304, 309.1,
248/309.2; 211/13.1, 30, 32, 70.6, 56.01,
211/87.01, 181.1; D25/38; D26/51

See application file for complete search history.

(56) **References Cited**

U.S. PATENT DOCUMENTS

D339,942 S *	10/1993	Emalfarb et al.	D6/513
D584,091 S *	1/2009	Goodman et al.	D6/566
D588,814 S *	3/2009	Ghiorghie	D3/304
D617,126 S *	6/2010	Snider	D6/513
D645,685 S *	9/2011	Goodman et al.	D6/566

D650,209 S *	12/2011	Snider	D6/513
D666,855 S *	9/2012	Goodman et al.	D6/566
D667,246 S *	9/2012	Cittadino et al.	D6/525

* cited by examiner

Primary Examiner — Brian N Vinson

(74) *Attorney, Agent, or Firm* — Pearne & Gordon LLP

(57) **CLAIM**

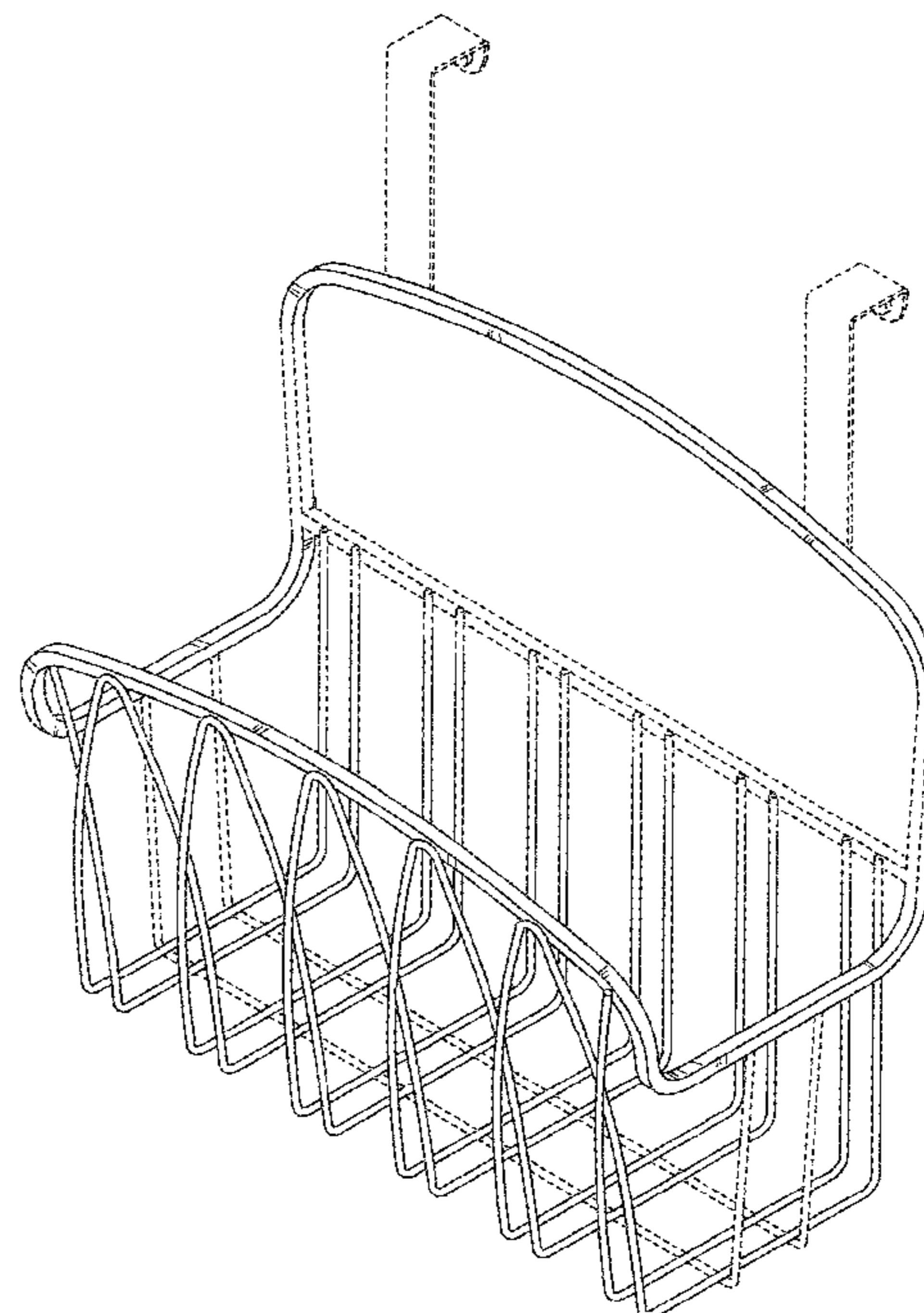
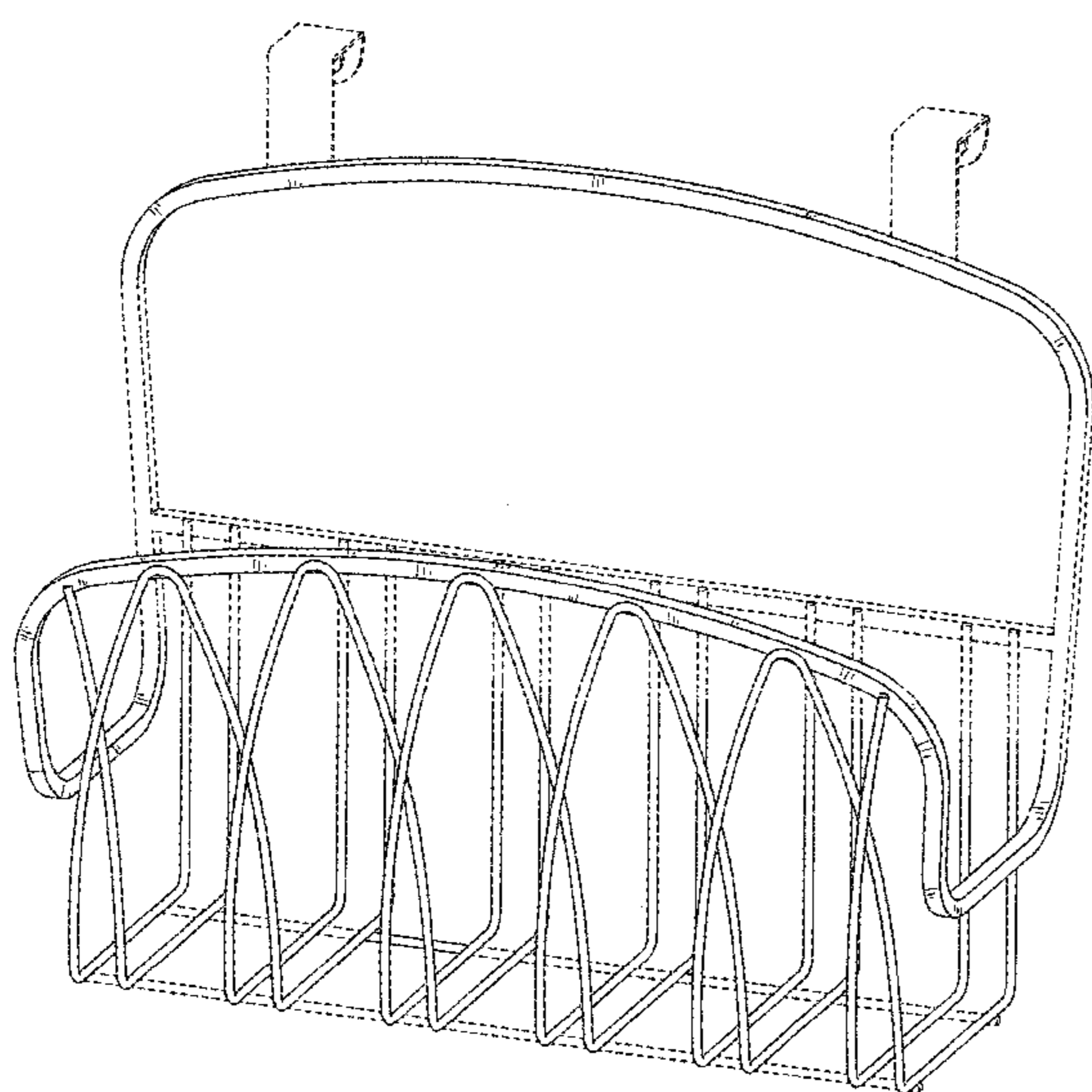
The ornamental design for a twist over the cabinet basket, as shown and described.

DESCRIPTION

FIG. 1 is a perspective view of a first embodiment of a twist over the cabinet basket showing our new design;
 FIG. 2 is a front elevational view thereof;
 FIG. 3 is a right side elevational view thereof, the left side elevational view being a mirror image thereof;
 FIG. 4 is a back elevational view thereof;
 FIG. 5 is a bottom plan view thereof;
 FIG. 6 is a top plan view thereof;
 FIG. 7 is a perspective view of a second embodiment of a twist over the cabinet basket according to the invention;
 FIG. 8 is a front elevational view thereof;
 FIG. 9 is a right side elevational view thereof, the left side elevational view being a mirror image thereof;
 FIG. 10 is a back elevational view thereof; and
 FIG. 11 is a bottom plan view thereof; and
 FIG. 12 is a top plan view thereof.

The broken-line disclosure in the view is understood to represent portions of the article in which the claimed design is embodied, but which form no part of the claimed design.

1 Claim, 6 Drawing Sheets



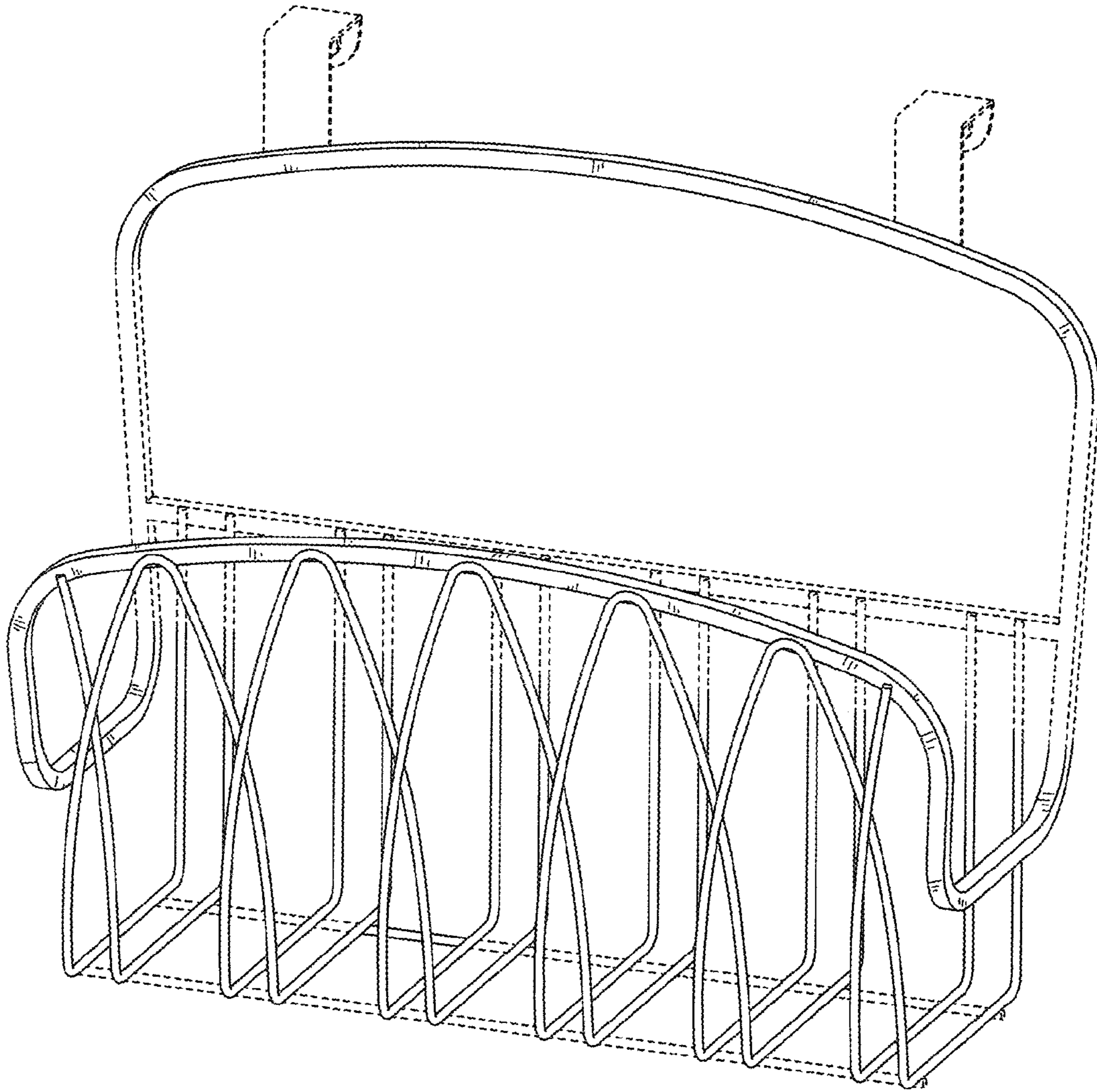


FIG 1

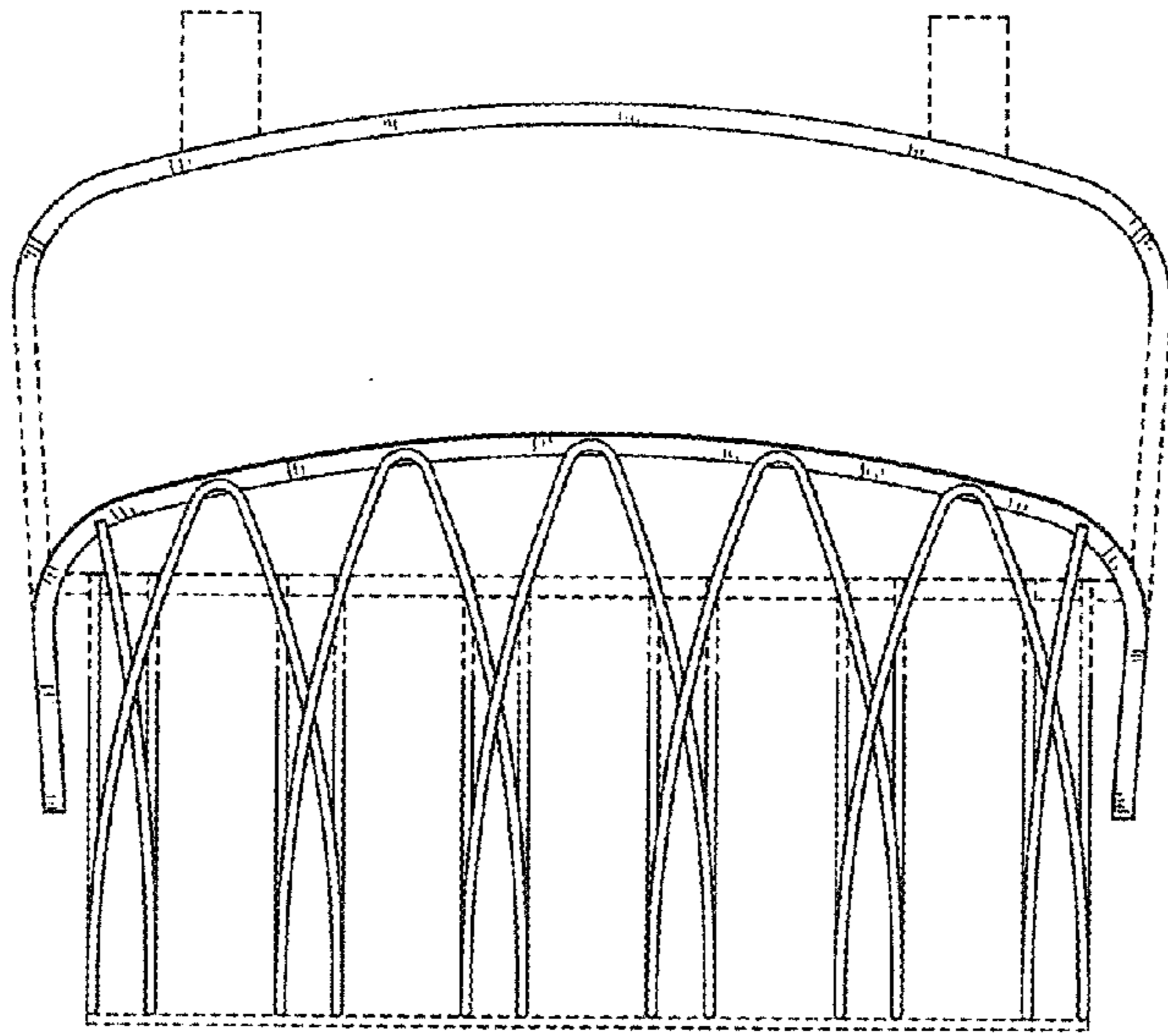


FIG 2

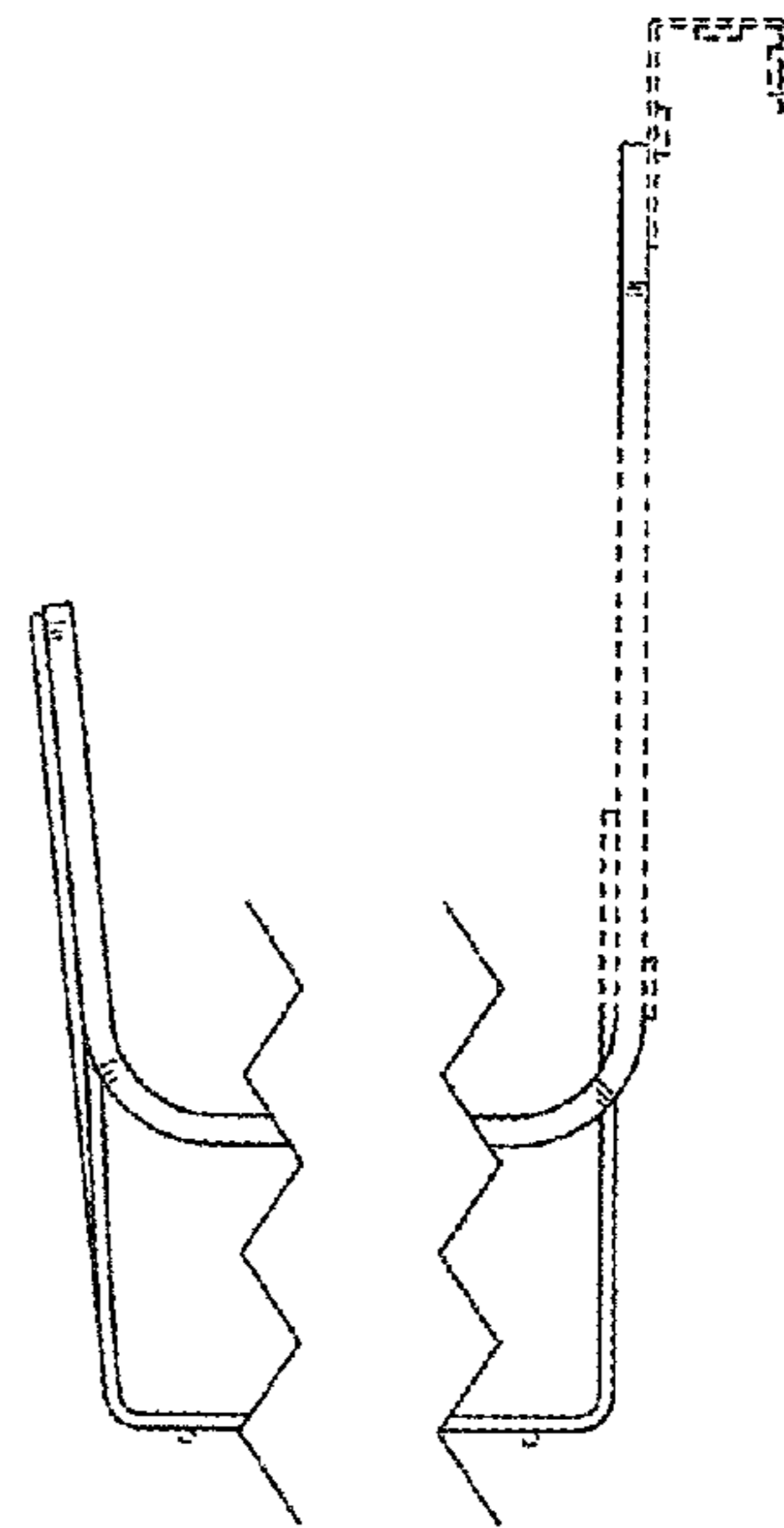


FIG 3

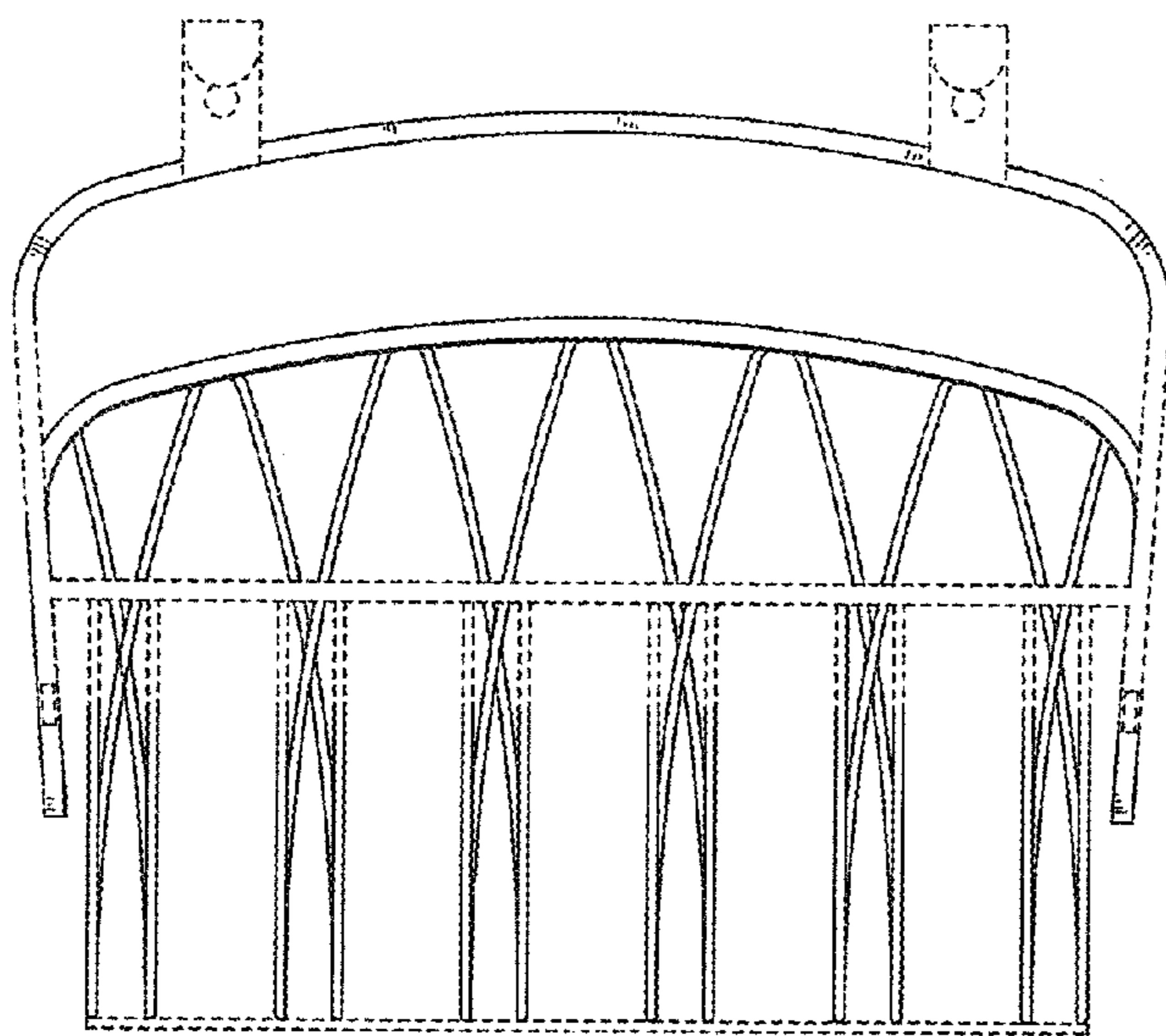


FIG 4

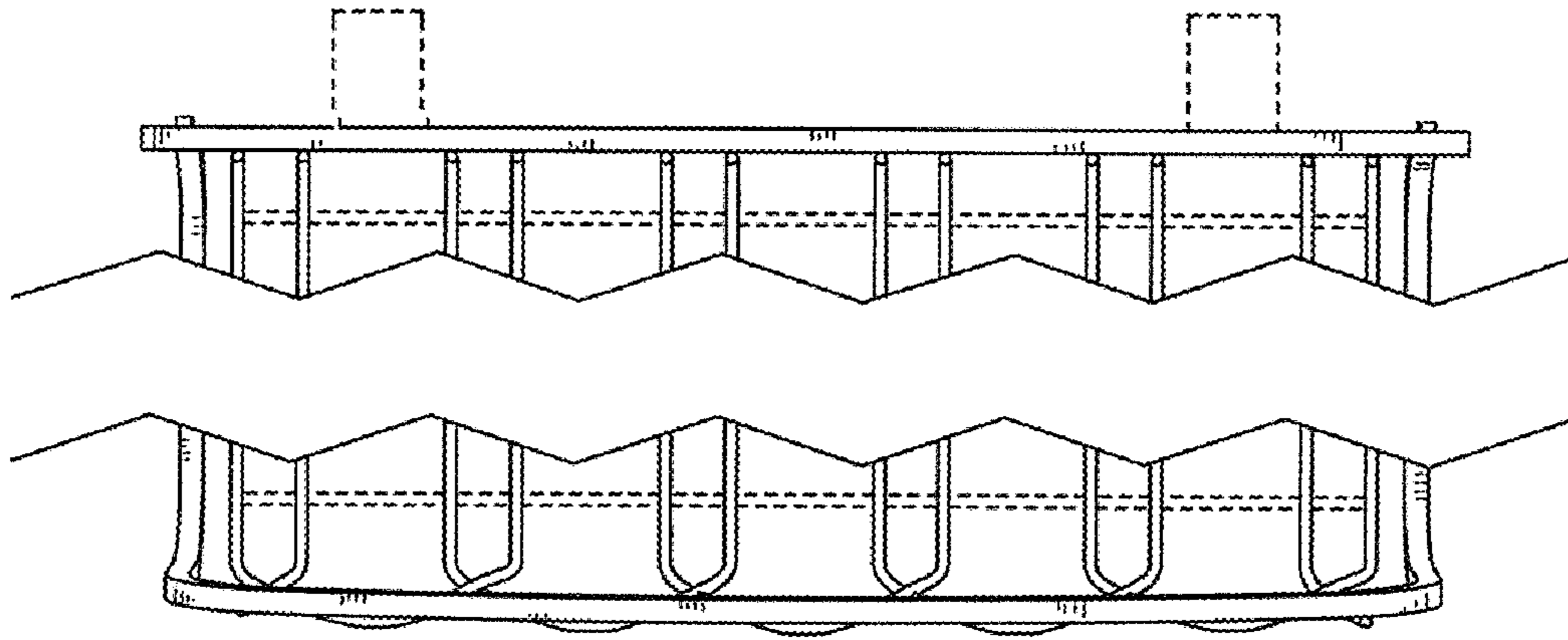


FIG 5

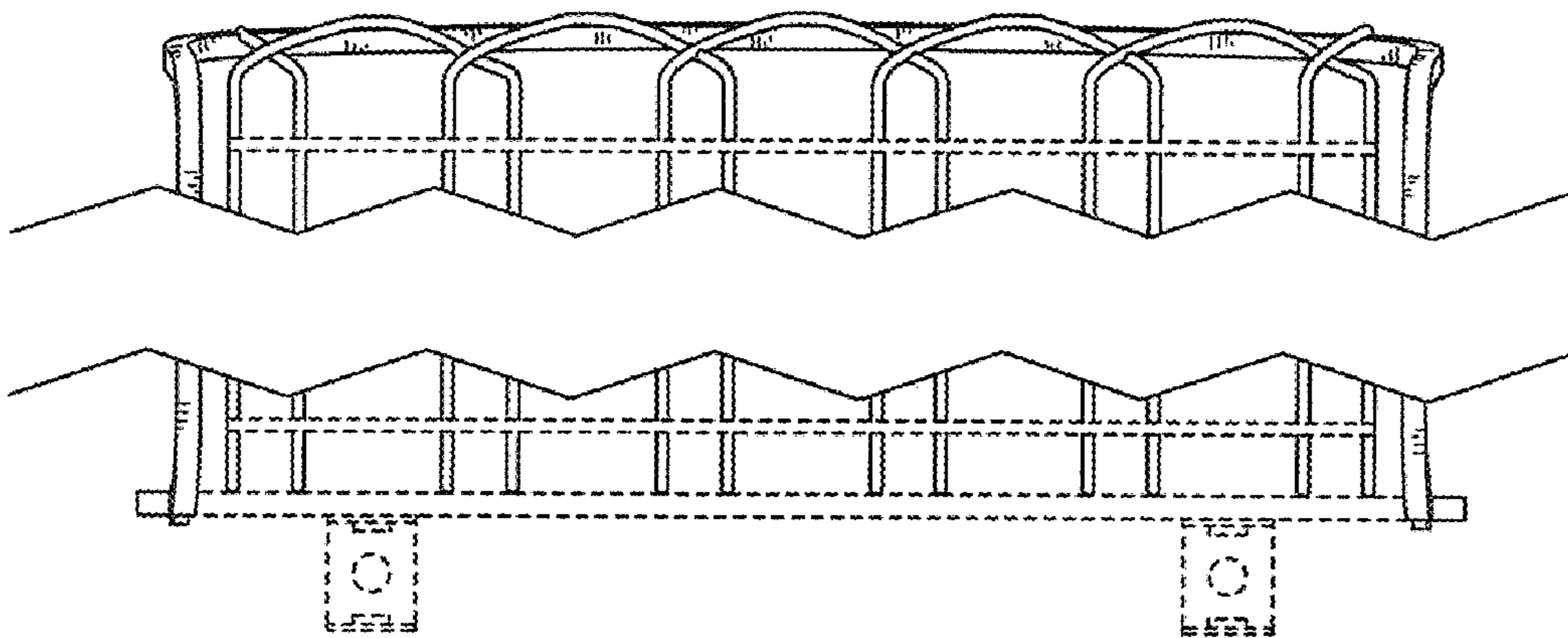


FIG 6

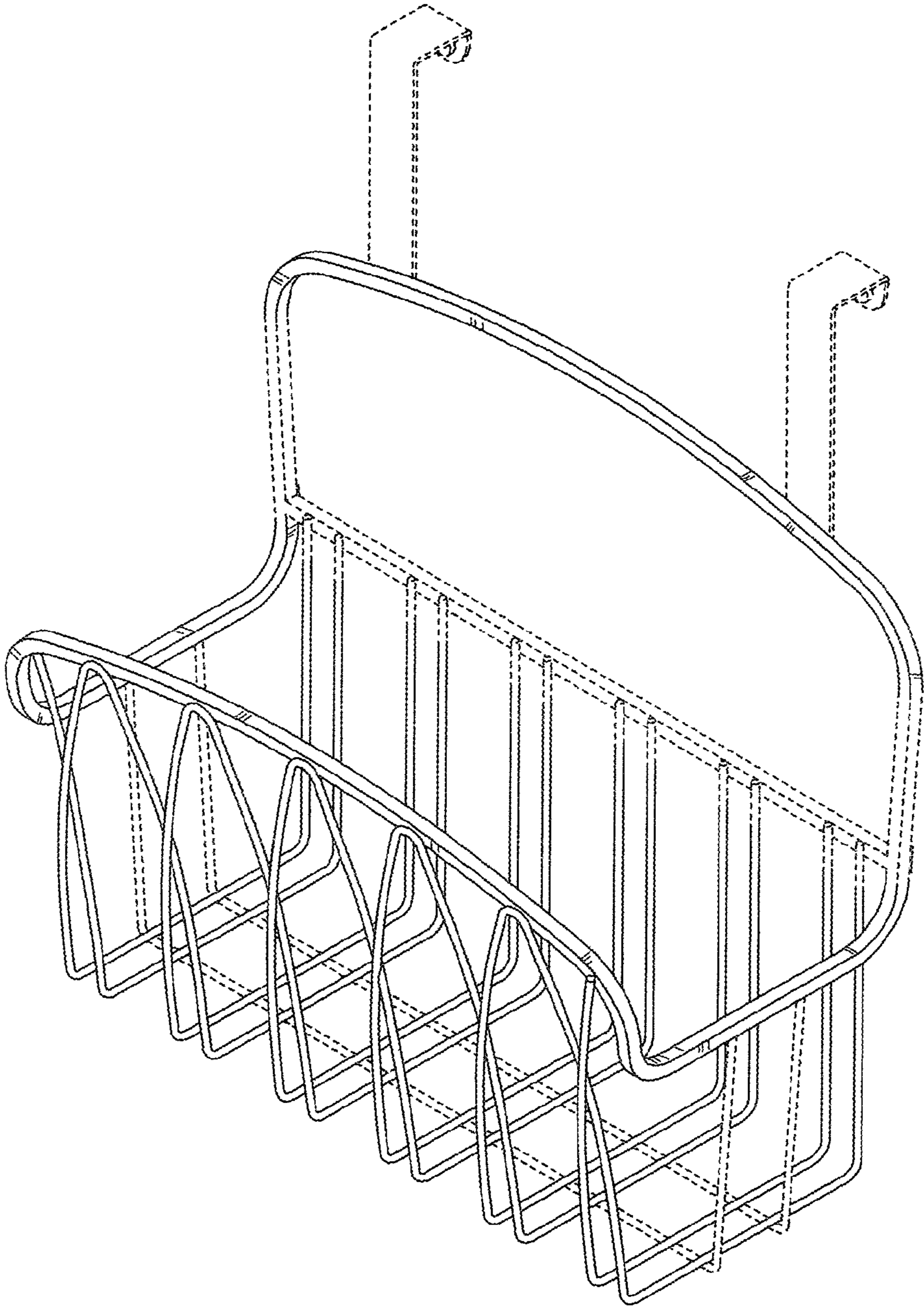


FIG 7

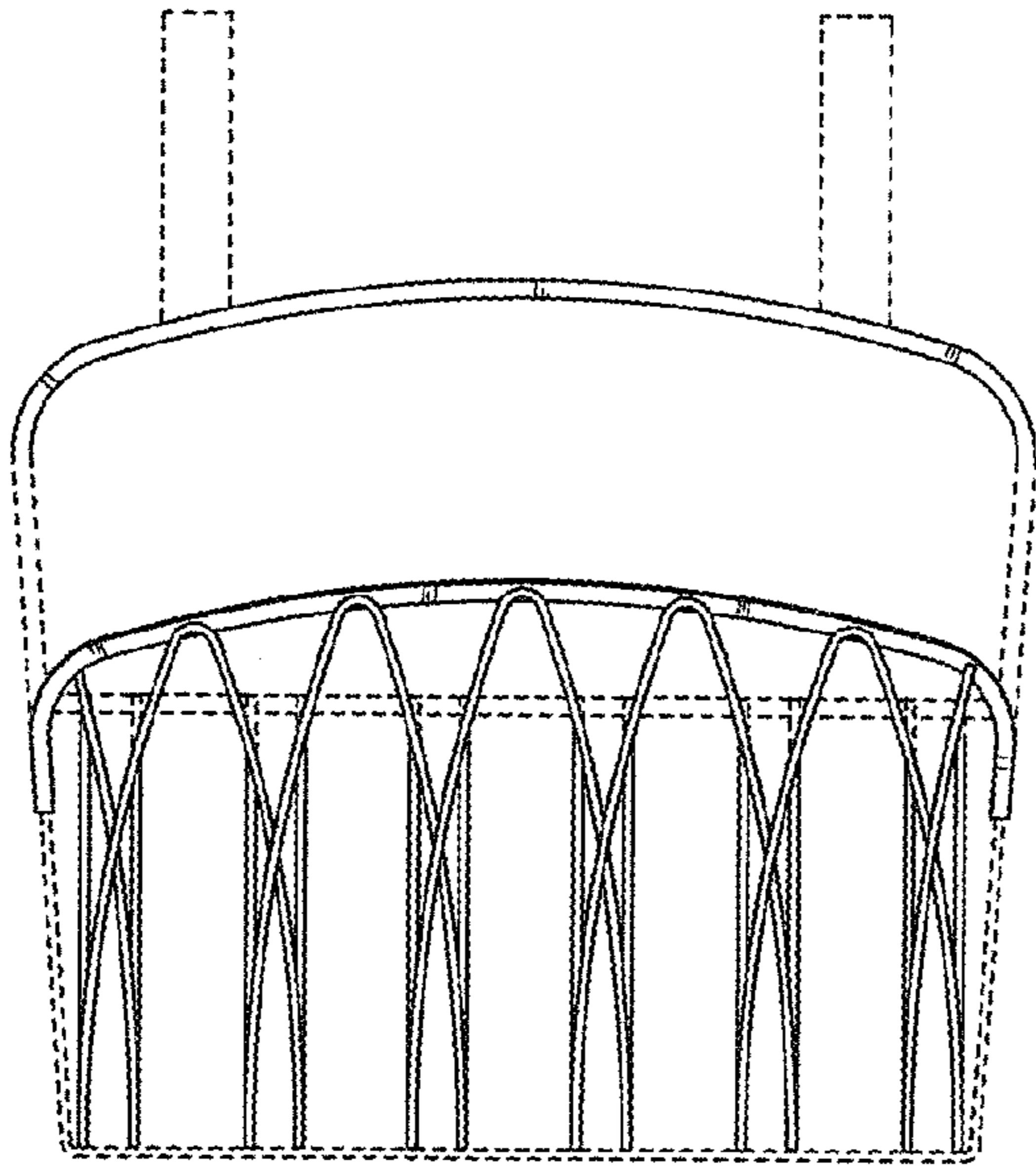


FIG 8

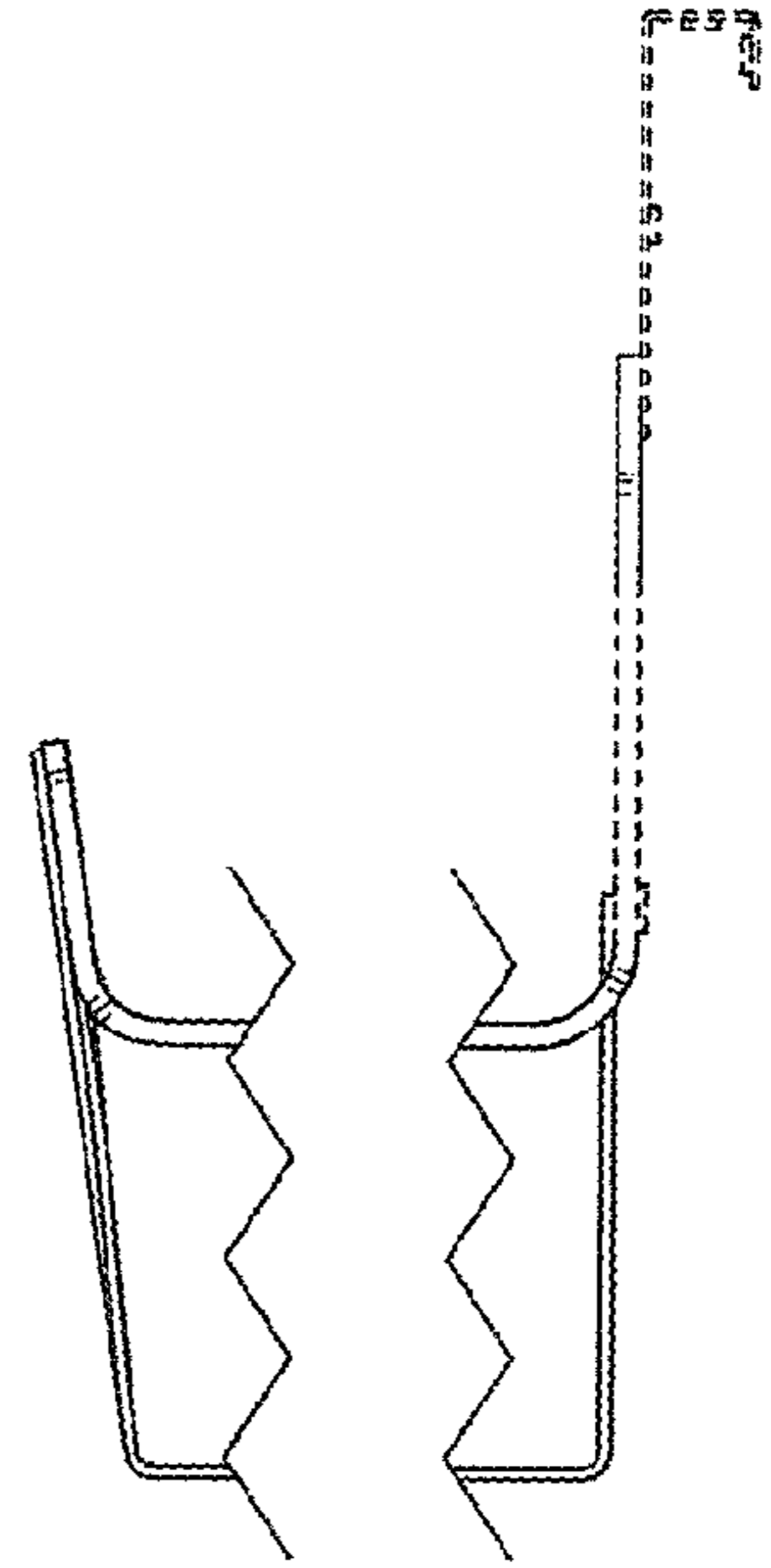


FIG 9

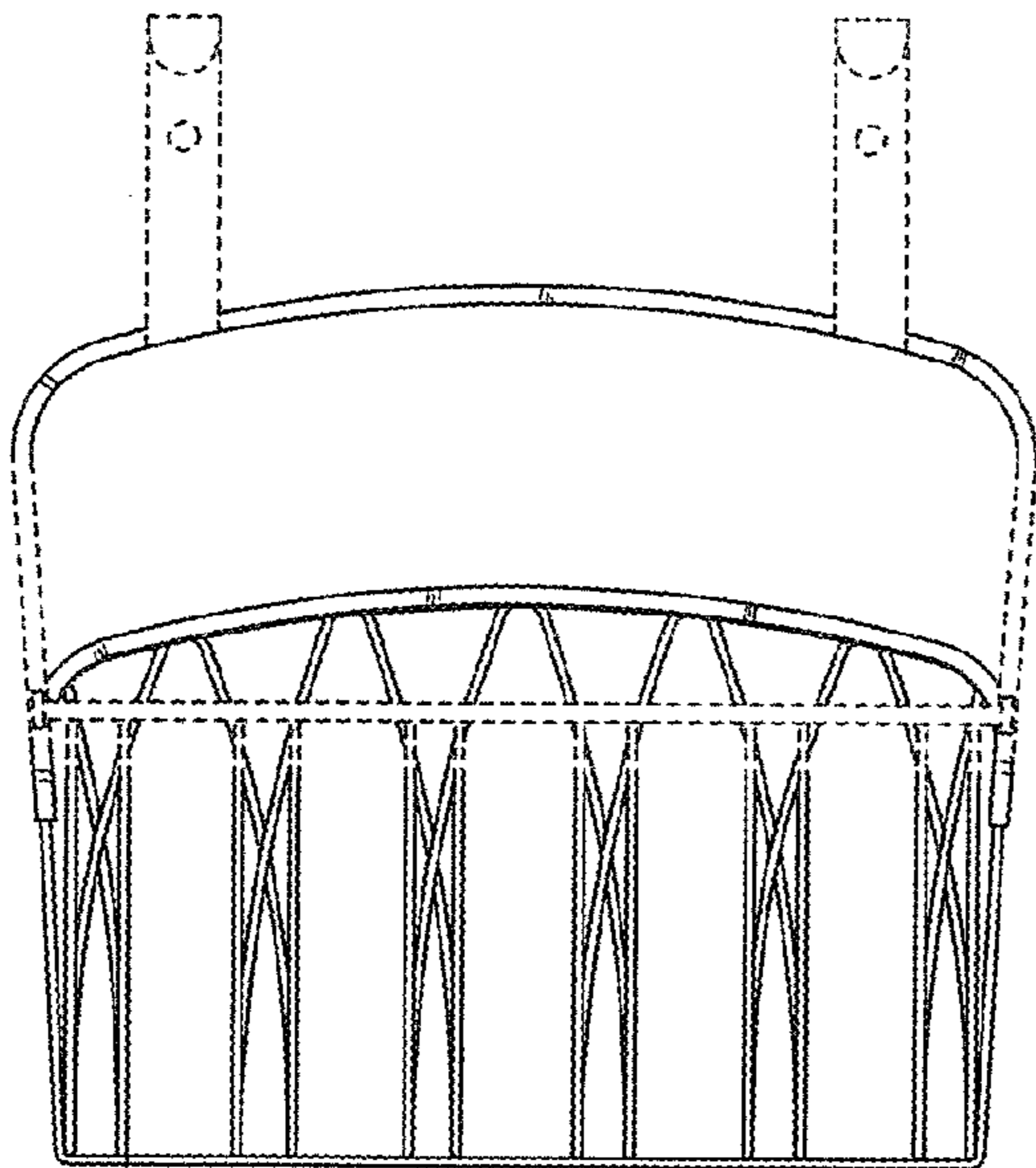


FIG 10

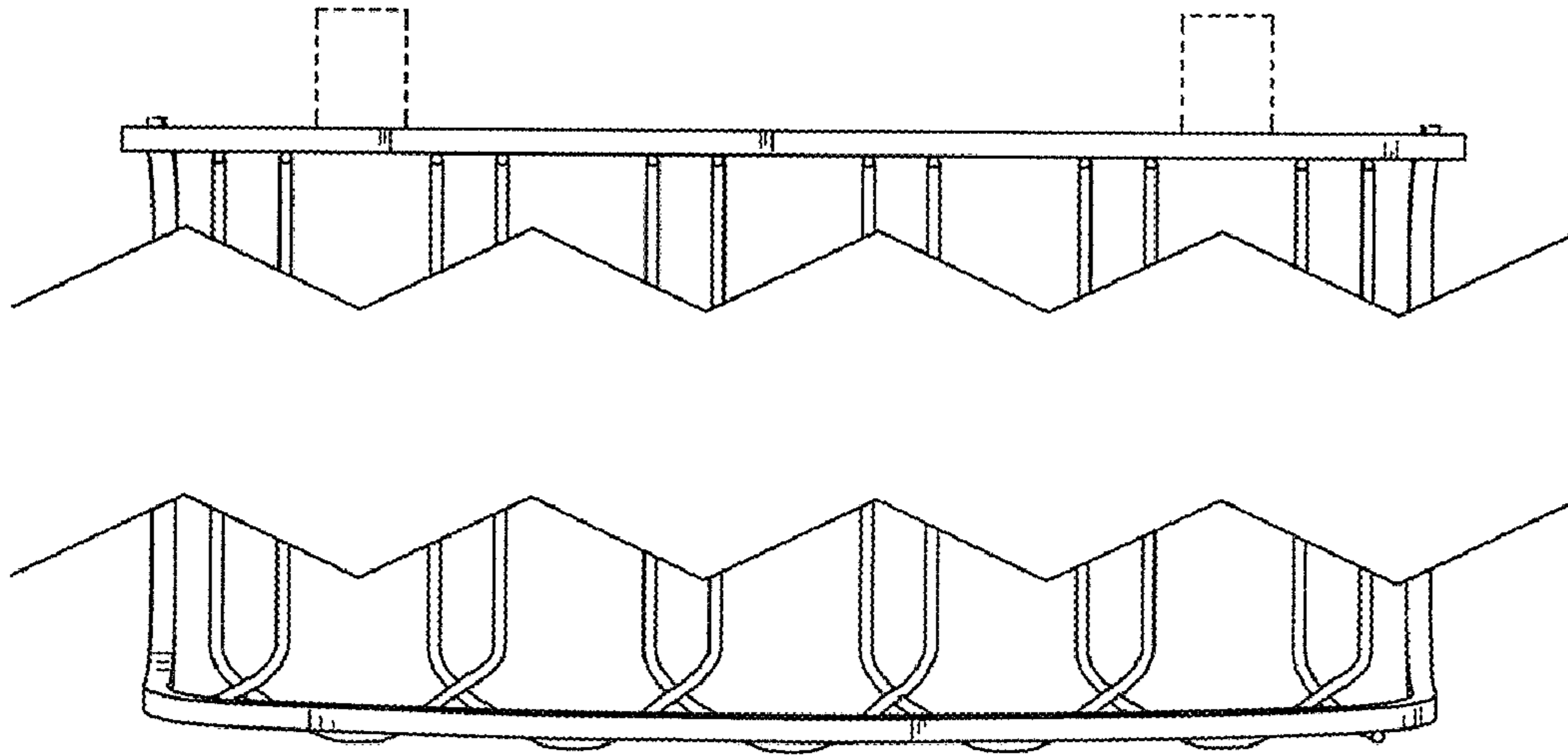


FIG 11

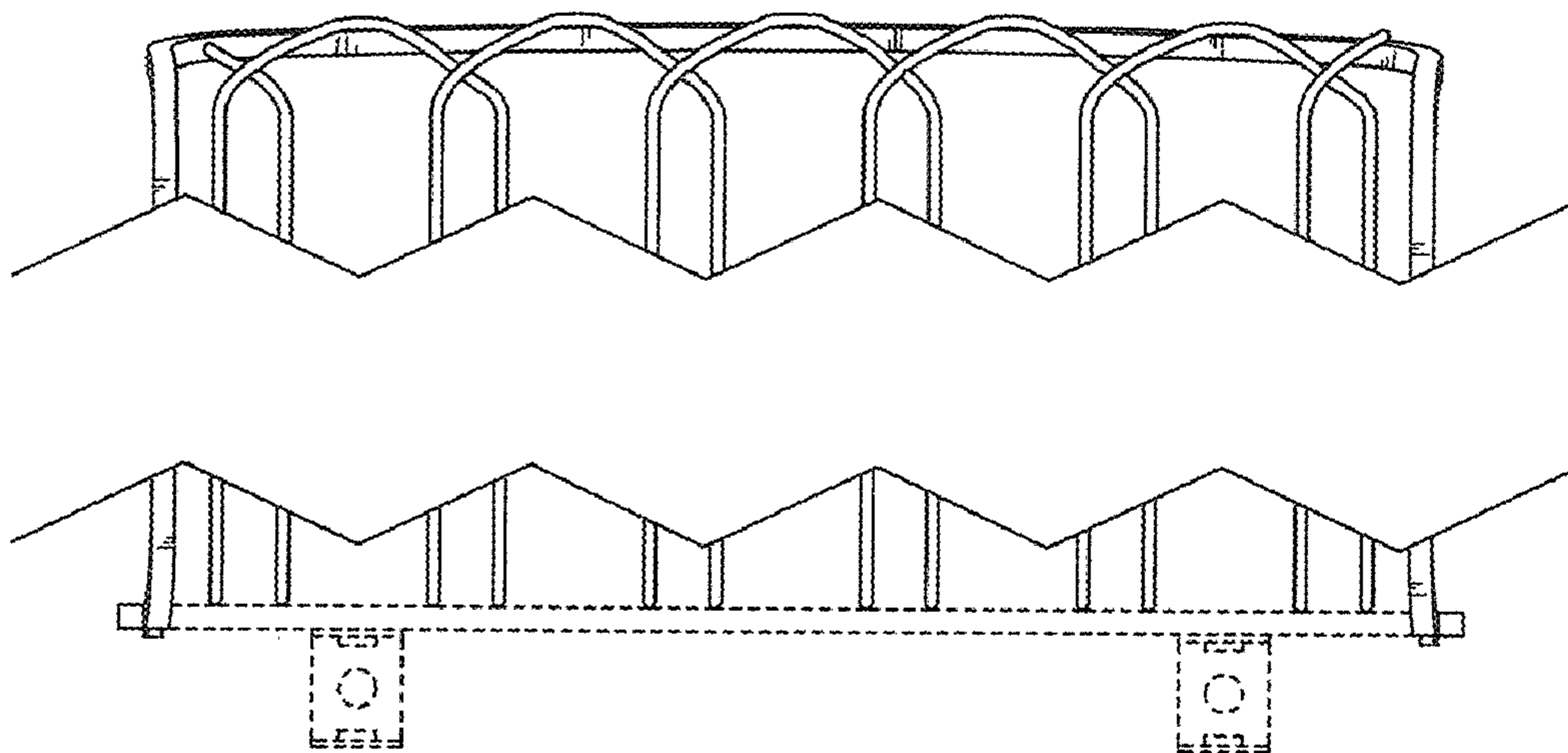


FIG 12