

US00D675465S

(12) **United States Design Patent**
Hartelt

(10) **Patent No.:** **US D675,465 S**

(45) **Date of Patent:** **** Feb. 5, 2013**

(54) **COUNTERTOP EDGE**

(76) **Inventor:** **Joel David Hartelt**, Glencoe, MN (US)

(**) **Term:** **14 Years**

(21) **Appl. No.:** **29/387,864**

(22) **Filed:** **Mar. 18, 2011**

(51) **LOC (9) Cl.** **06-06**

(52) **U.S. Cl.** **D6/511**

(58) **Field of Classification Search** D6/300,
D6/309, 396, 420, 425, 432-448, 460-468,
D6/474-479, 491-495, 509-511, 601; D8/402;
D24/183; D25/2, 113-119, 136; 4/506;
52/169.7, 290, 300, 309.1, 716.2; 156/71;
312/107-109, 138.1, 140.3, 194, 198, 204-217,
312/224-237, 257.1, 278-279; 428/99

See application file for complete search history.

(56) **References Cited**

U.S. PATENT DOCUMENTS

2,149,742 A	8/1937	Miller	
D128,793 S	5/1940	Bonnell	
D124,037 S *	12/1940	Lowry	D25/119
3,239,975 A *	3/1966	Stier	52/169.7
3,271,787 A *	9/1966	Clary	52/716.2
3,298,039 A *	1/1967	Schmerler	52/716.2
3,300,250 A	1/1967	Dollgener	
3,310,814 A *	3/1967	Lipman	52/716.2
3,628,198 A *	12/1971	Katzman	52/716.2
3,750,197 A *	8/1973	Weir et al.	52/169.7
3,777,318 A *	12/1973	Stillman, Jr.	52/300
3,835,481 A *	9/1974	Engelhart et al.	52/169.7
3,885,364 A *	5/1975	Lankheet	52/169.7
D241,396 S	9/1976	Copeland	
4,625,343 A *	12/1986	Bumgarner, Sr.	4/506
D332,149 S *	12/1992	Bartlett	D25/136
5,253,932 A *	10/1993	Nesovic	312/140.3
D403,080 S *	12/1998	Mignone, Jr.	D25/2
D411,739 S	6/1999	Havens	
D418,234 S	12/1999	Smith, Jr.	
6,214,436 B1 *	4/2001	Catta et al.	428/99
6,258,190 B1 *	7/2001	Sciarrino et al.	156/71
D447,253 S *	8/2001	Gardner	D25/136
D454,215 S	3/2002	Nelson et al.	

6,378,257 B1 *	4/2002	Guerra	52/309.1
D460,199 S *	7/2002	Brito	D25/113
D461,010 S *	7/2002	Brito	D25/113
6,413,337 B2 *	7/2002	Sciarrino et al.	156/71
D463,170 S	9/2002	Schultz	
D475,144 S	5/2003	Thornton et al.	
D483,884 S	12/2003	Glatz	
D489,210 S	5/2004	Goldberg	
D499,193 S *	11/2004	Glatz	D25/136
D500,149 S *	12/2004	Glatz	D25/136
D500,371 S *	12/2004	Glatz	D25/136
D507,903 S	8/2005	Pingel	
D532,911 S	11/2006	Gardner	
D539,929 S *	4/2007	Quigley et al.	D25/113
D542,940 S	5/2007	Neuhofer, Jr.	
D597,743 S	8/2009	Skinner	
D607,240 S *	1/2010	Clausen	D6/511
D607,241 S *	1/2010	Clausen	D6/511
D607,242 S *	1/2010	Clausen	D6/511
D625,595 S *	10/2010	Park et al.	D8/402
D625,596 S *	10/2010	Park et al.	D8/402

(Continued)

Primary Examiner — Ricky Pham

(74) *Attorney, Agent, or Firm* — QuickPatents, Inc.; Kevin Prince

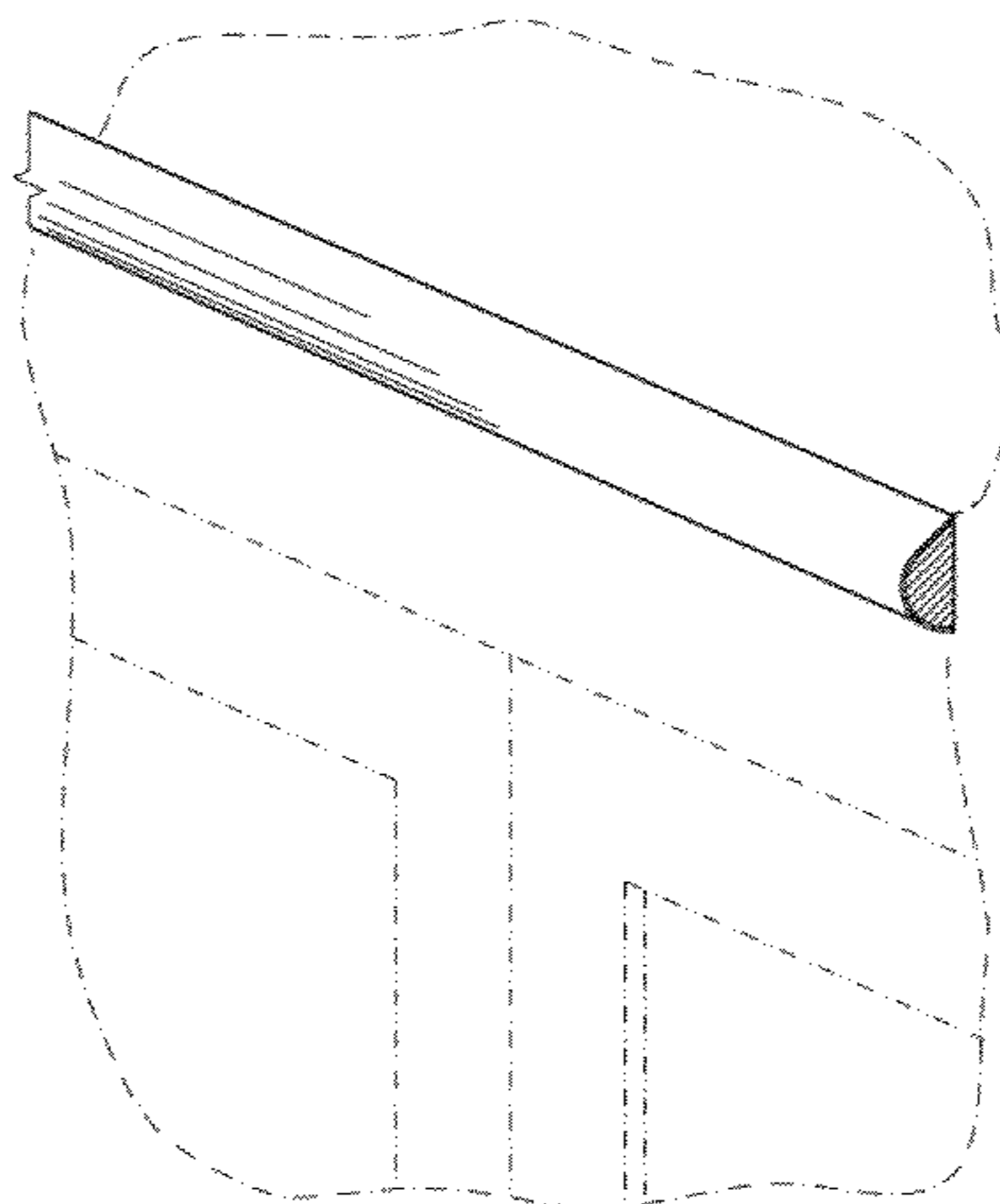
(57) **CLAIM**

The ornamental design for a countertop edge, as shown and described.

DESCRIPTION

FIG. 1 is a perspective view of a countertop edge, showing the new design;
FIG. 2 is an enlarged left-side elevational view thereof, the right-side elevational view being a mirror image thereof;
FIG. 3 is an enlarged front elevational view thereof;
FIG. 4 is an enlarged rear elevational view thereof;
FIG. 5 is a top plan view thereof; and,
FIG. 6 is a bottom plan view thereof.
The broken lines showing a counter top and cabinets in FIG. 1 depict environmental matter while the invention is in use, and form no part of the claimed design. The cut lines in the figures represent that the design is of indeterminate length.

1 Claim, 3 Drawing Sheets



US D675,465 S

Page 2

U.S. PATENT DOCUMENTS

D637,030 S *	5/2011	Khandai	D6/601	D664,256 S *	7/2012	Dennewald	D24/183
D648,037 S *	11/2011	Gauthier et al.	D25/113	8,245,468 B2 *	8/2012	Johnston	52/290
D655,825 S *	3/2012	Fleites	D25/113	* cited by examiner			

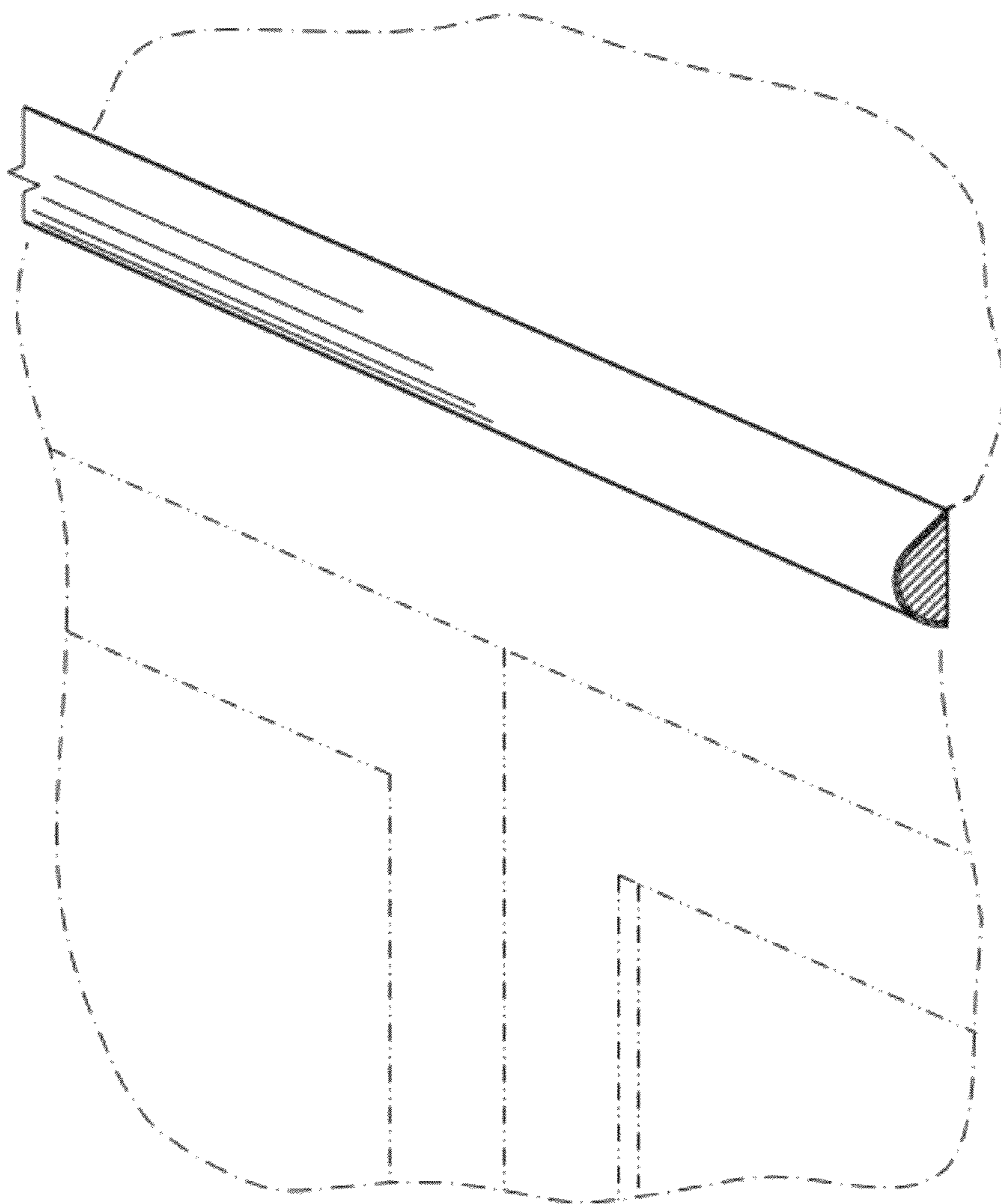


FIG. 1

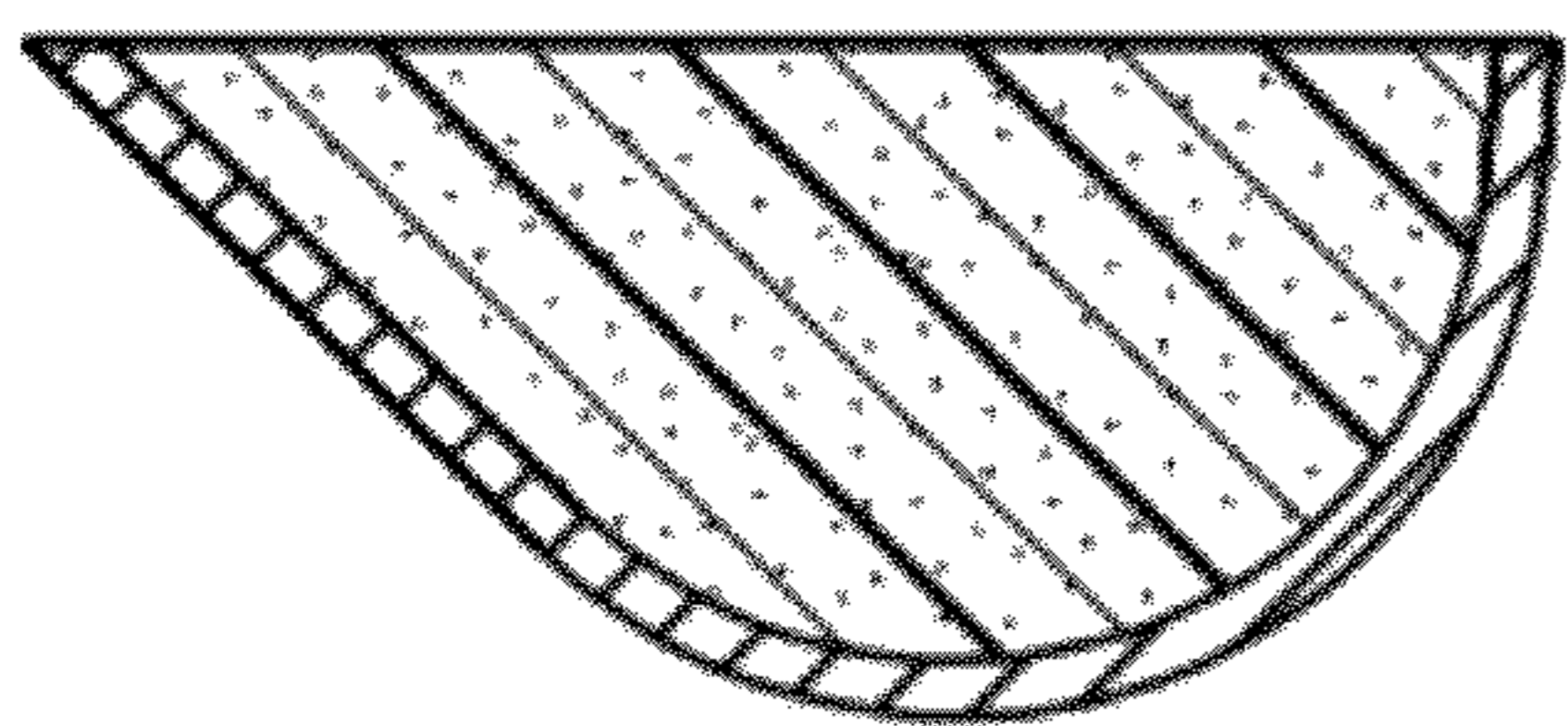


FIG. 2

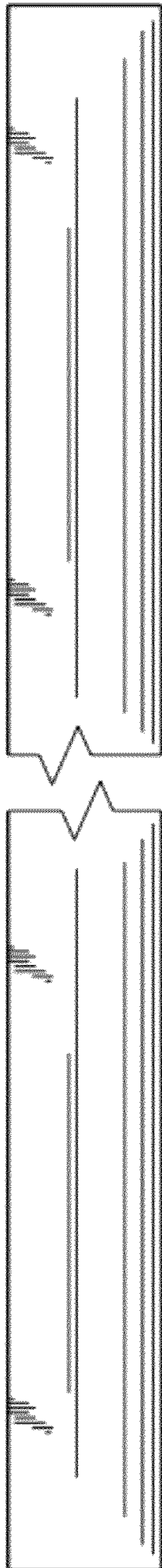


FIG. 3

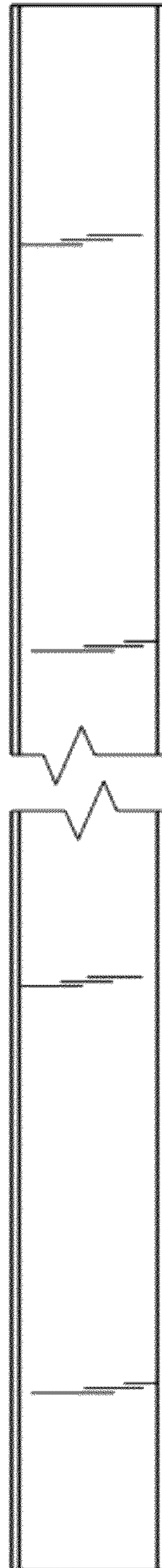


FIG. 4



FIG. 5



FIG. 6