



US00D675464S

(12) **United States Design Patent**
Pedersen et al.

(10) **Patent No.:** **US D675,464 S**
(45) **Date of Patent:** **** Feb. 5, 2013**

(54) **BENCH**

(75) Inventors: **Sara L. Pedersen**, Minneapolis, MN (US); **Stephanie A. Grotta**, Minneapolis, MN (US); **Joshua A. Hughes**, Delano, MN (US); **Zheng Gao**, Jiashan (CN); **Pan Liangzhang**, Jiashan (CN)

(73) Assignee: **Target Brands, Inc.**, Minneapolis, MN (US)

(**) Term: **14 Years**

(21) Appl. No.: **29/409,807**

(22) Filed: **Dec. 29, 2011**

(51) **LOC (9) Cl.** **06-01**

(52) **U.S. Cl.** **D6/500**

(58) **Field of Classification Search** D6/334–336, D6/344, 365, 369, 370, 374, 376, 379, 380, D6/381, 500–502; 297/232, 411.42, 411.44, 297/445.1, 446.1, 452.63, 452.64

See application file for complete search history.

(56) **References Cited**

U.S. PATENT DOCUMENTS

D105,172 S *	6/1937	Hauser	D6/376
D341,266 S *	11/1993	Caldwell	D6/379
D373,031 S *	8/1996	Martin	D6/380
D423,806 S *	5/2000	Tseng	D6/376
D522,767 S *	6/2006	Camp et al.	D6/376
D532,212 S *	11/2006	Bell	D6/376
D547,962 S *	8/2007	Ko	D6/376

OTHER PUBLICATIONS

Agio Charleston Furniture Set, photographs taken at Costco Wholesale Corporation on Feb. 21, 2010, 4 pages.

Thos. Baker, "Hedges Sofa," 1 page, <http://www.thosbaker.com/hedges-sofa?sc=21&category=33292> (last visited Dec. 28, 2011).

Target "Smith & Hawken Allegio Outdoor Collection" brochure, pp. 1-4, Jan. 2, 2011.

* cited by examiner

Primary Examiner — Mimoso De

(74) *Attorney, Agent, or Firm* — Leanne Taveggia Farrell; Westman, Champlin & Kelly, P.A.

(57) **CLAIM**

The ornamental design for a bench, as shown and described.

DESCRIPTION

FIG. 1 is a perspective view shown in a first environment of the bench;

FIG. 2 is a front view of the bench illustrated in FIG. 1;

FIG. 3 is a back view of the bench illustrated in FIG. 1;

FIG. 4 is a left side view of the bench illustrated in FIG. 1;

FIG. 5 is a right side view of the bench illustrated in FIG. 1;

FIG. 6 is a top view of the bench illustrated in FIG. 1;

FIG. 7 is a bottom view of the bench illustrated in FIG. 1;

FIG. 8 is a perspective view shown in a second environment of the bench;

FIG. 9 is a front view of the bench illustrated in FIG. 8;

FIG. 10 is a back view of the bench illustrated in FIG. 8;

FIG. 11 is a left side view of the bench illustrated in FIG. 8;

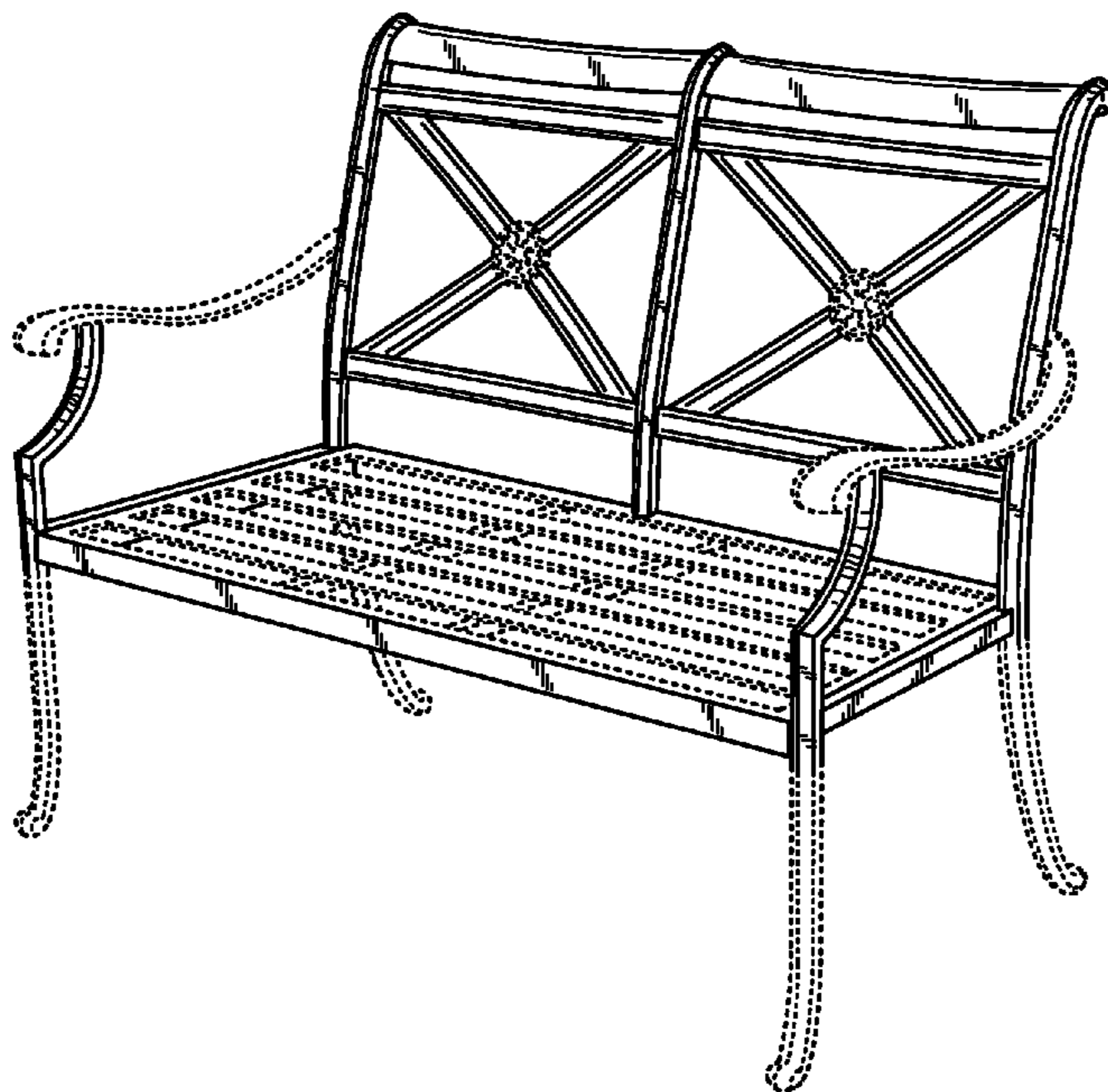
FIG. 12 is a right side view of the bench illustrated in FIG. 8;

FIG. 13 is a top view of the bench illustrated in FIG. 8; and,

FIG. 14 is a bottom view of the bench illustrated in FIG. 8.

The broken lines form no part of the claimed design.

1 Claim, 8 Drawing Sheets



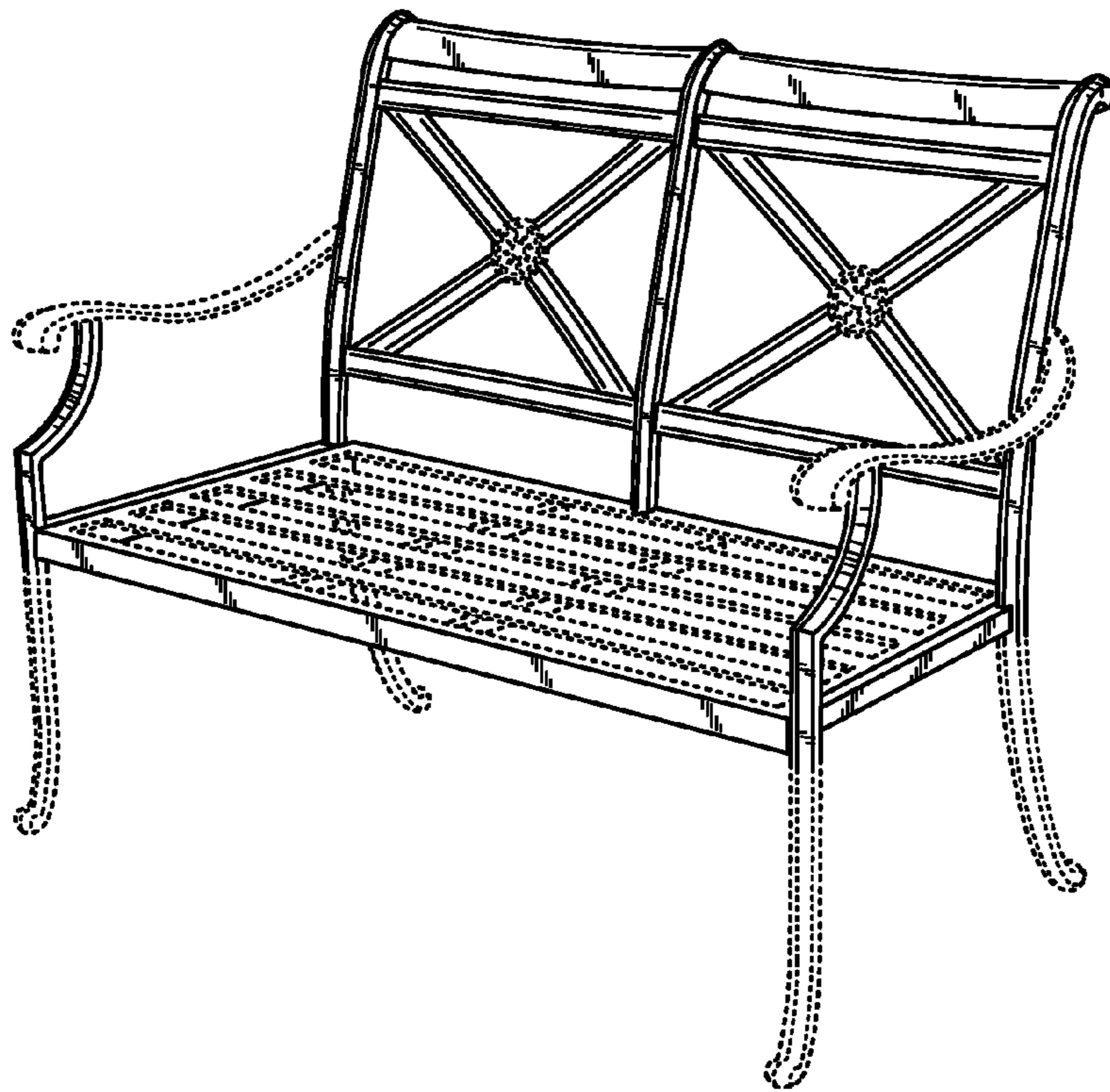


Fig. 1

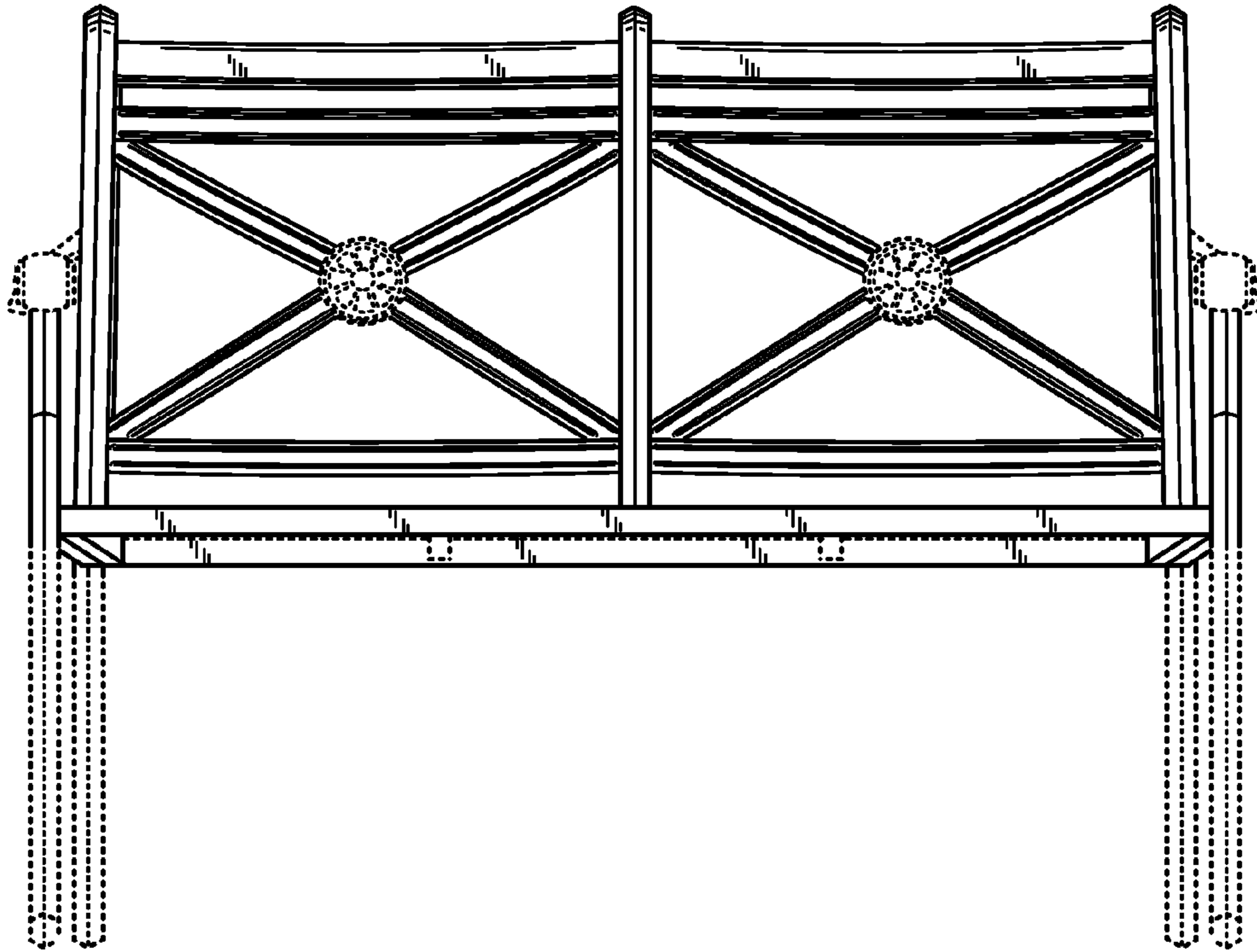


Fig. 2

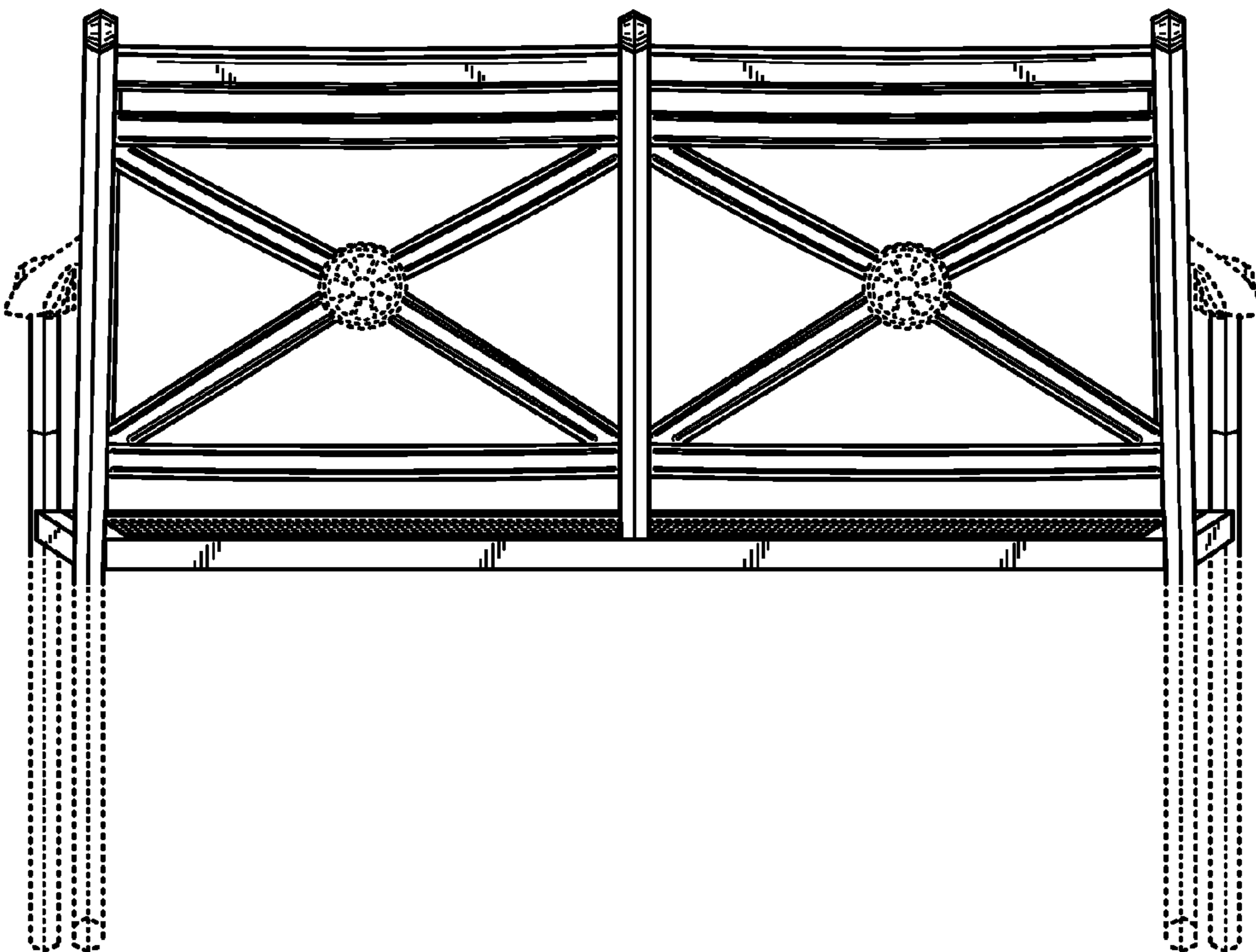


Fig. 3

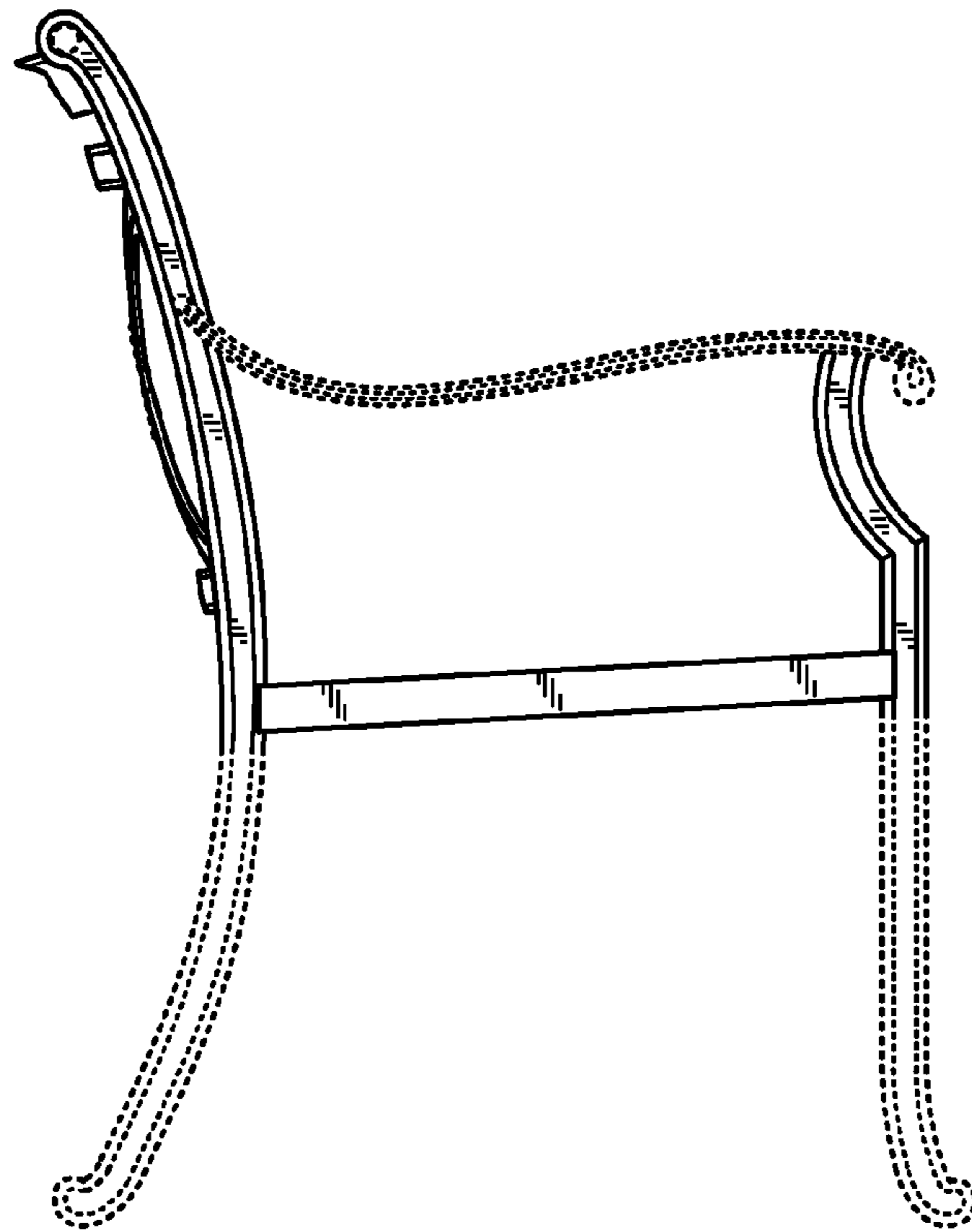


Fig. 4

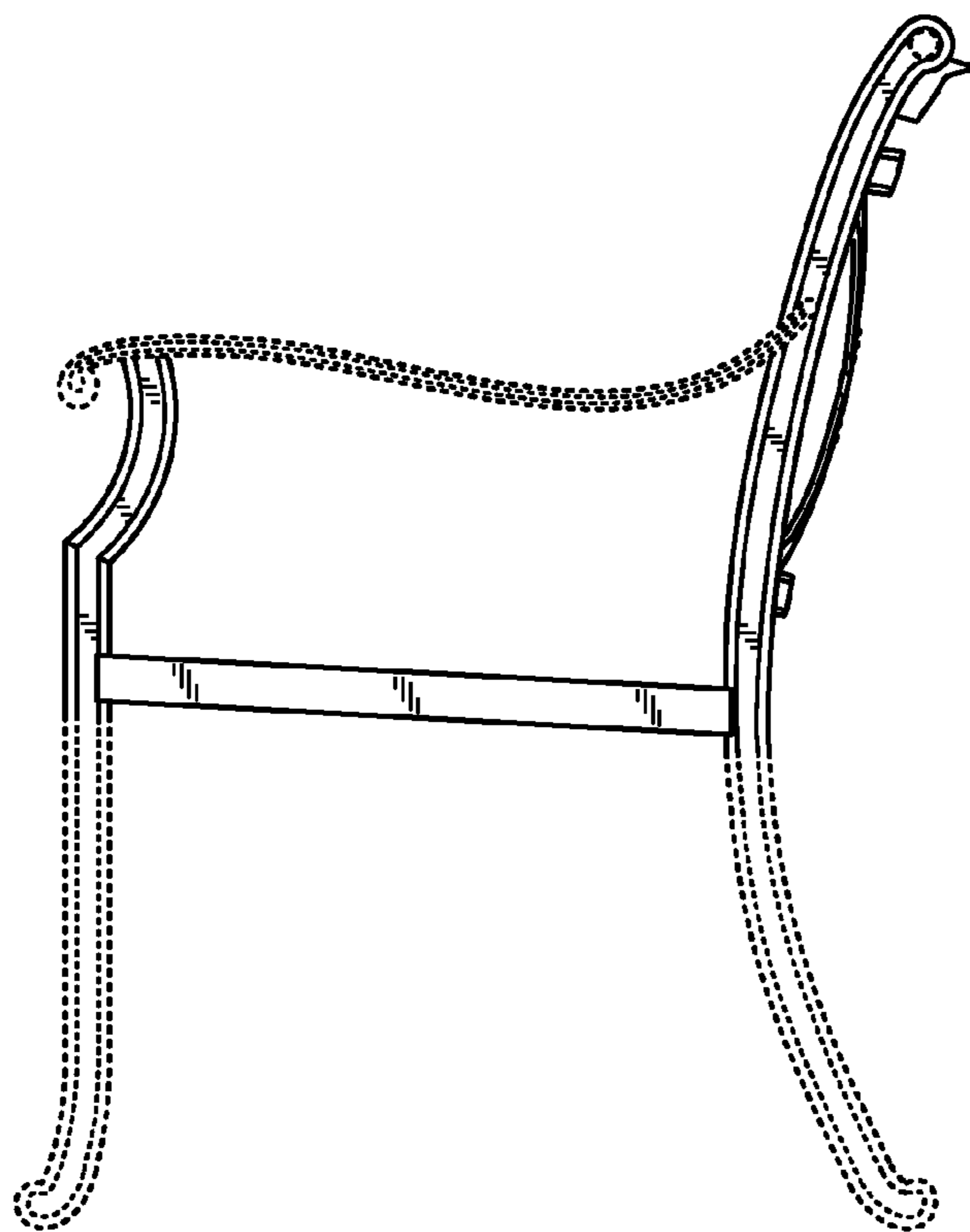


Fig. 5

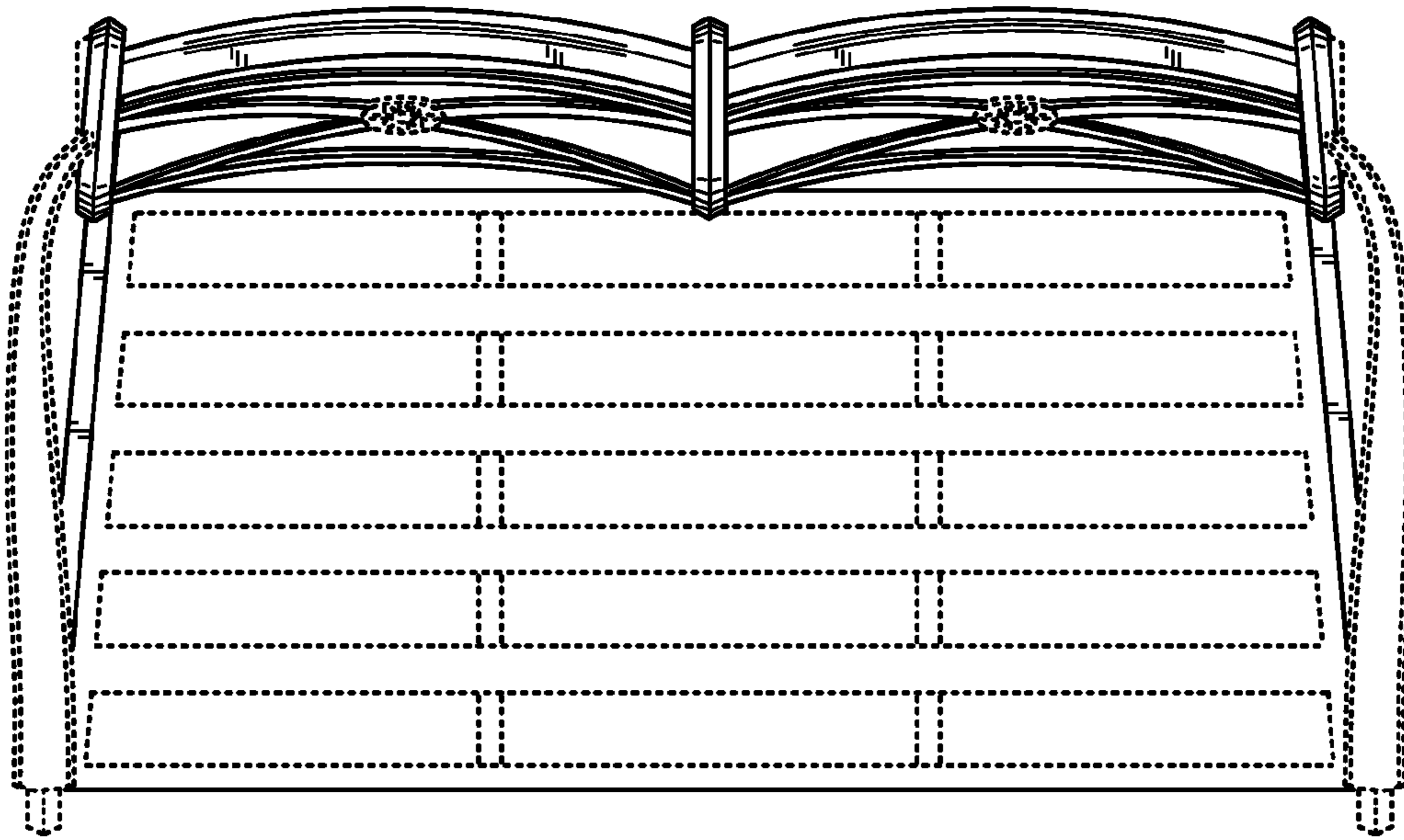


Fig. 6

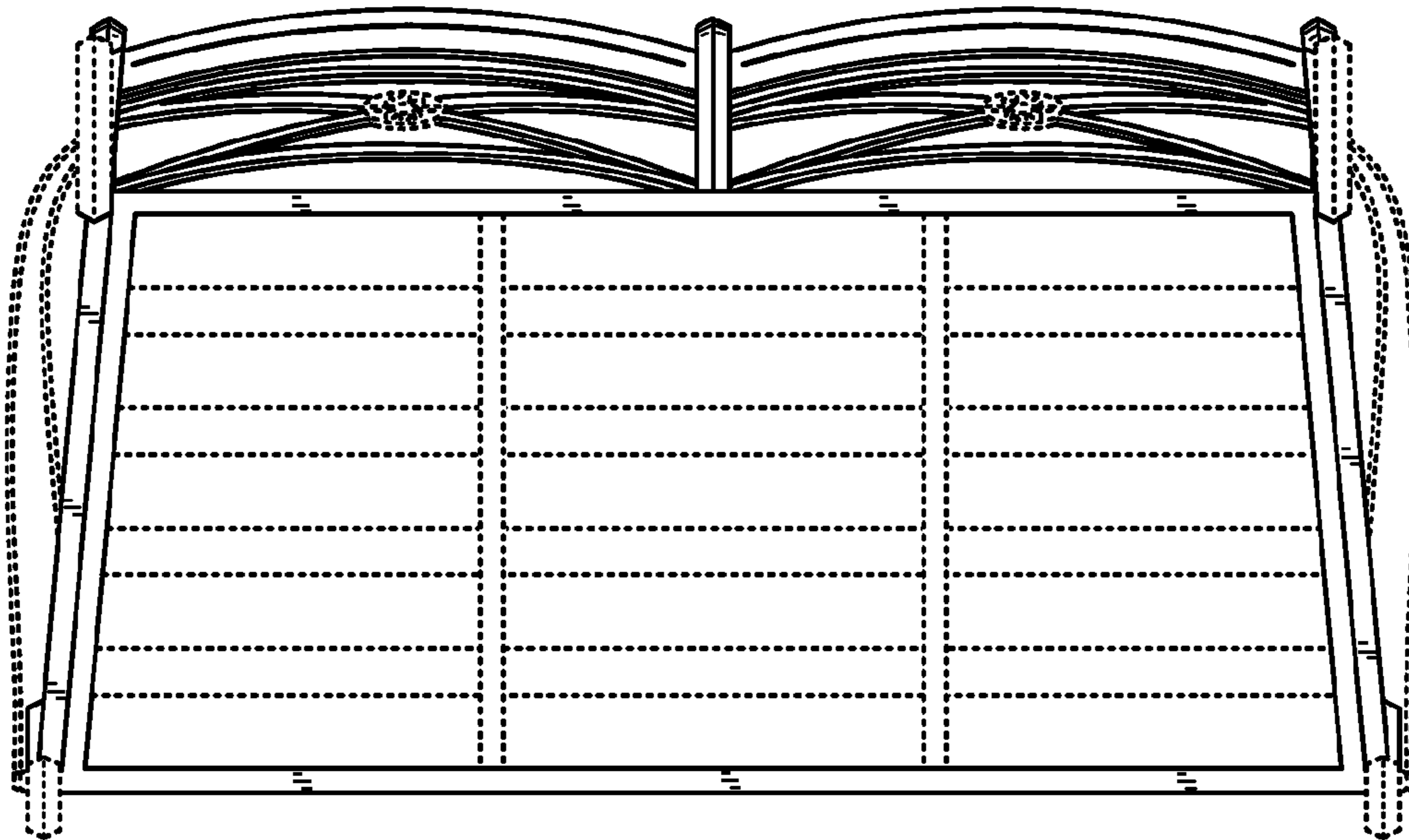


Fig. 7

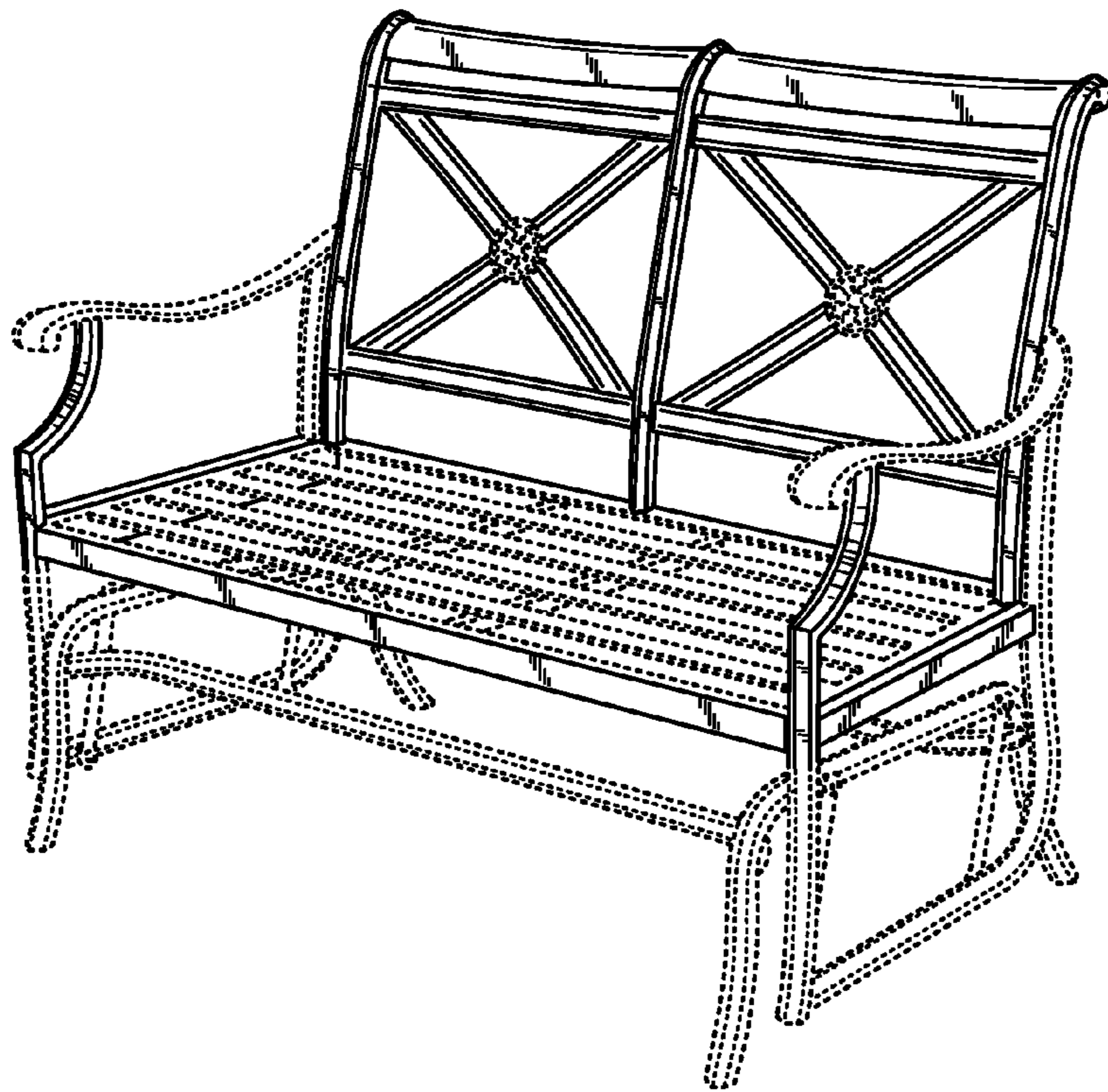


Fig. 8

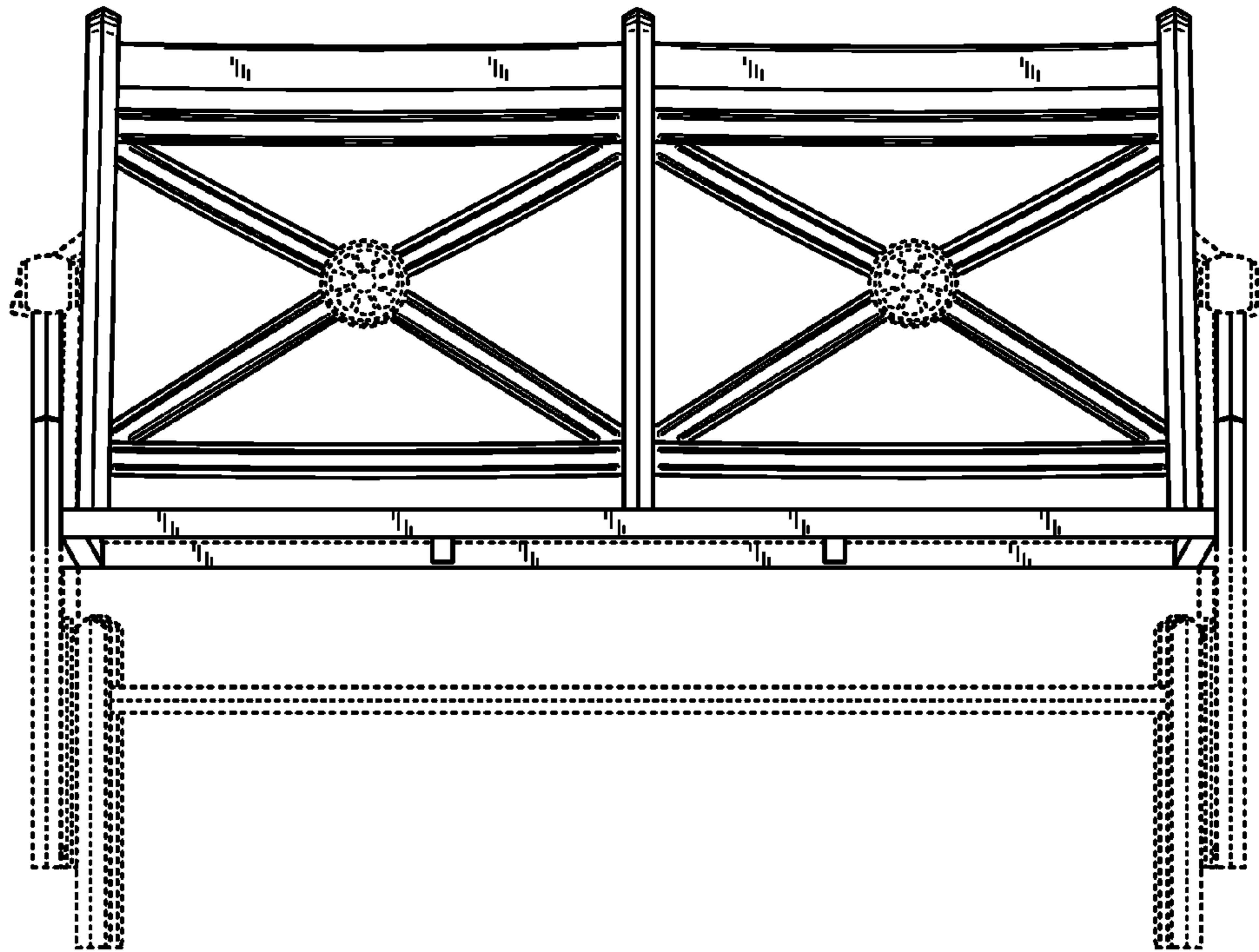


Fig. 9

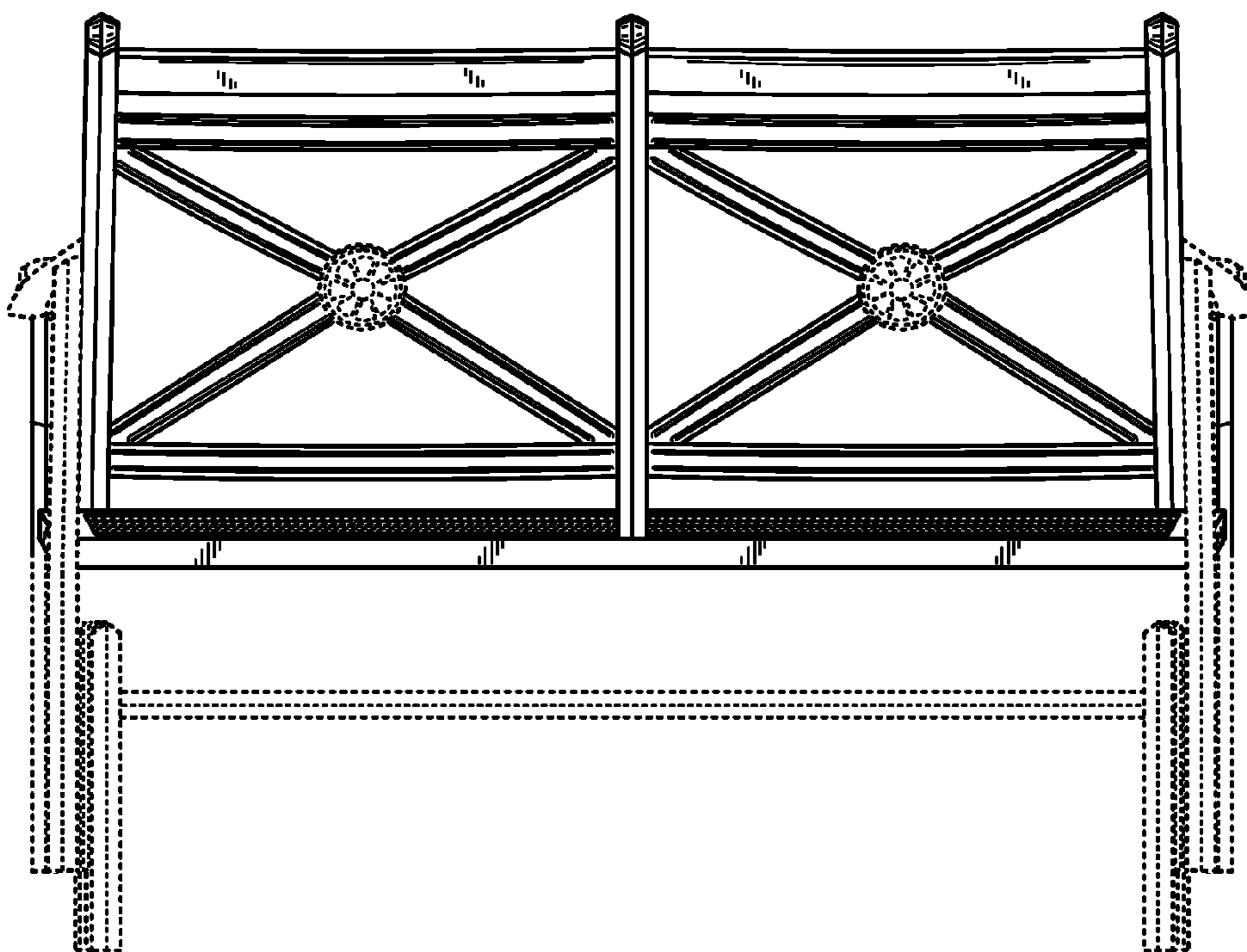


Fig. 10

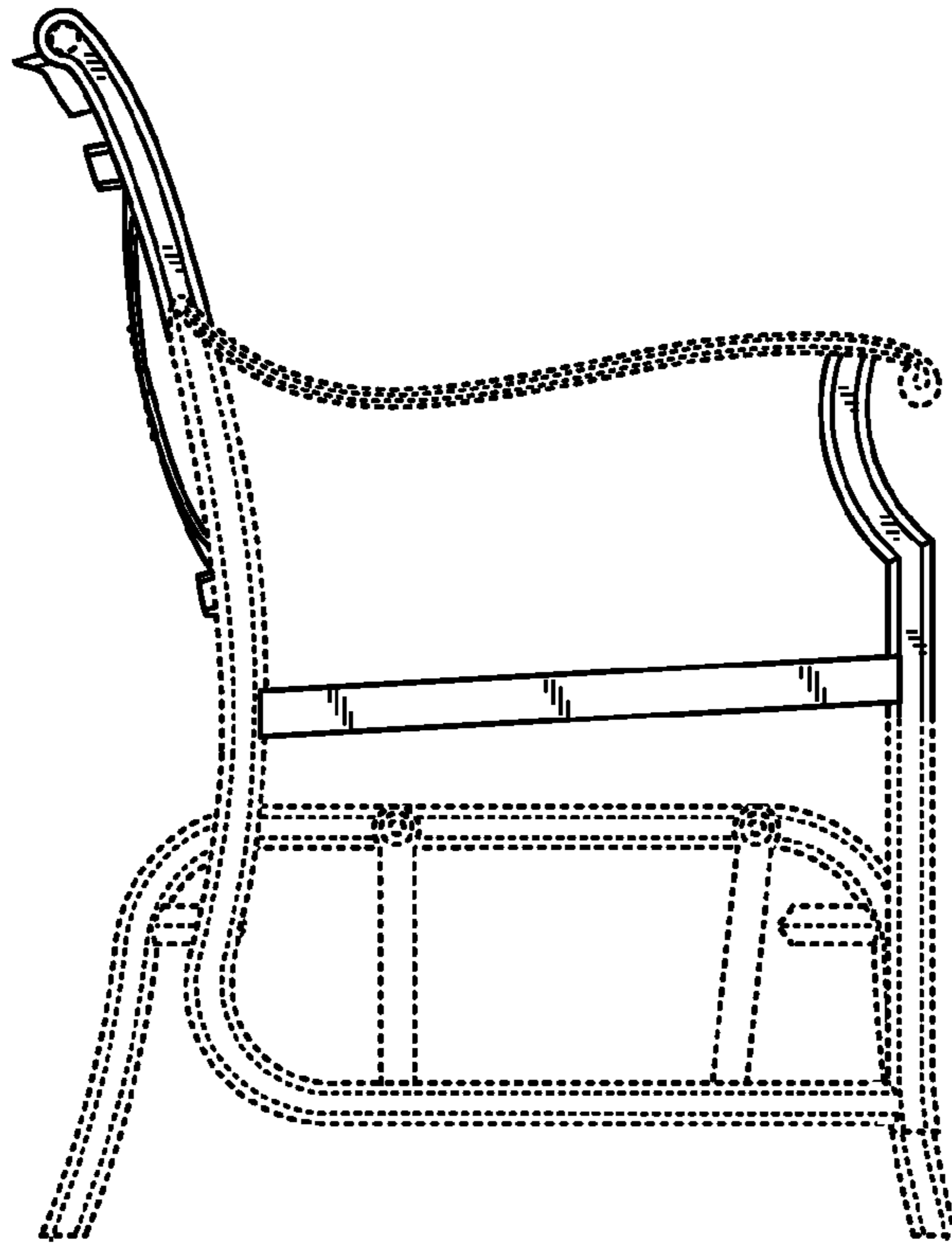


Fig. 11

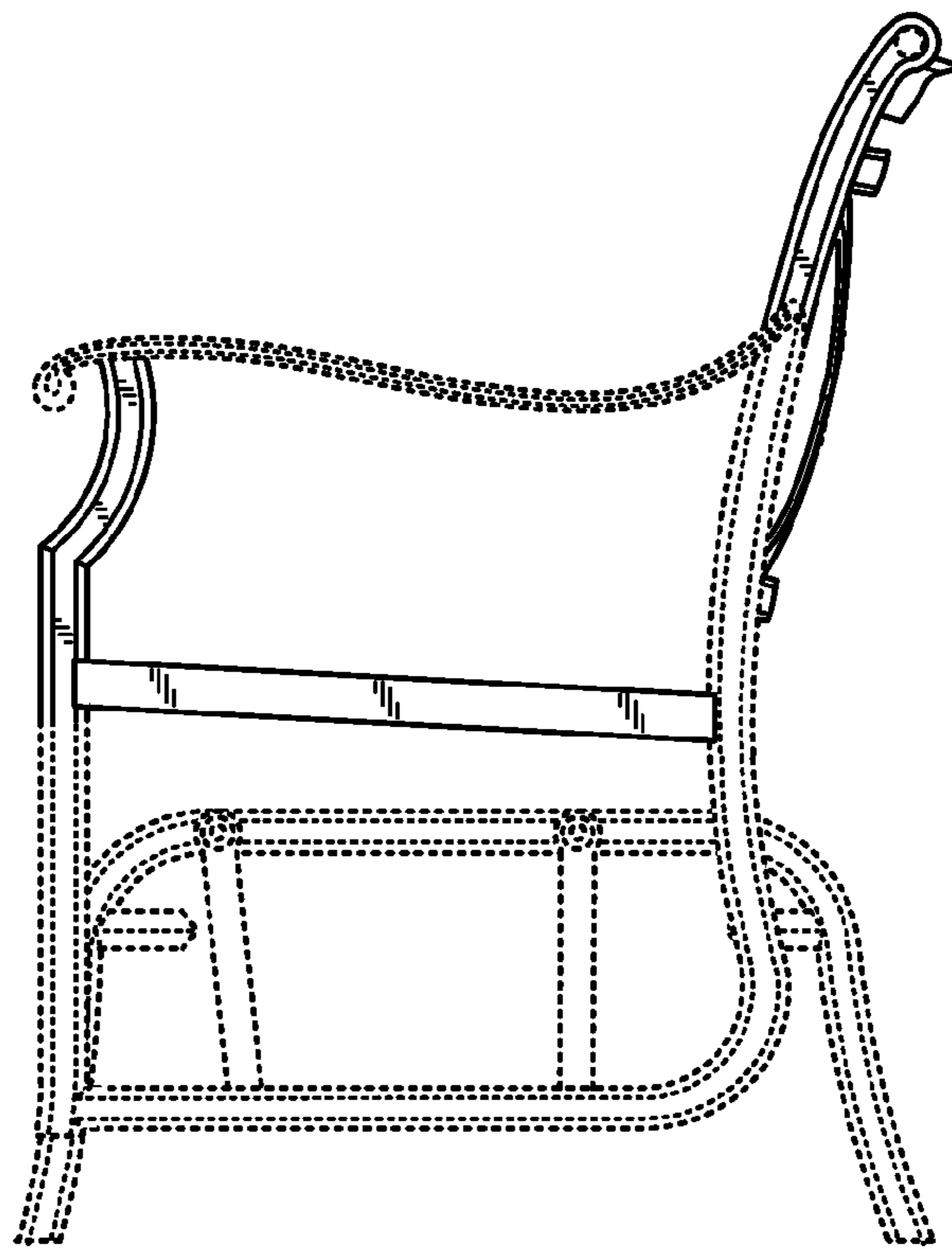


Fig. 12

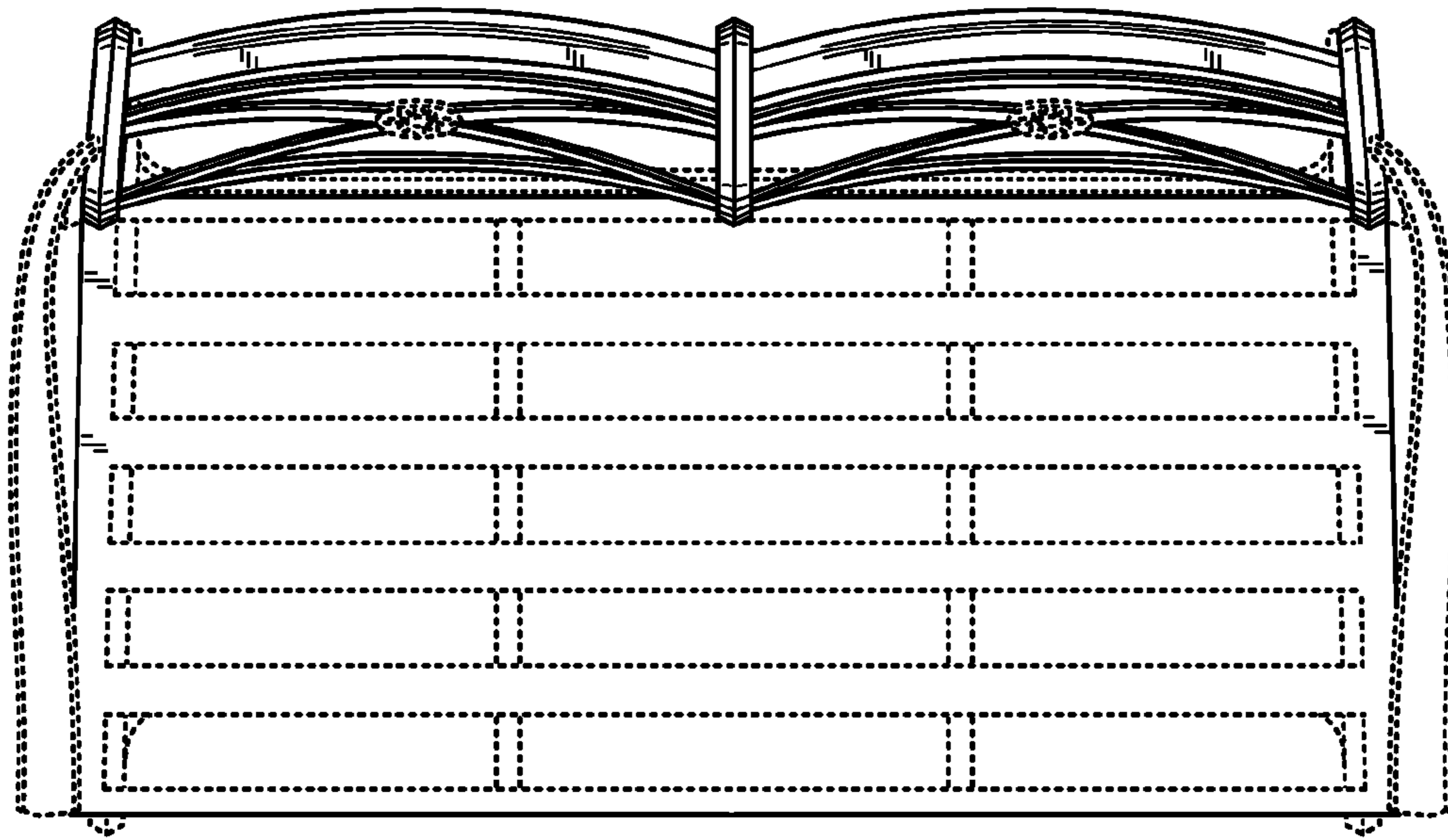


Fig. 13

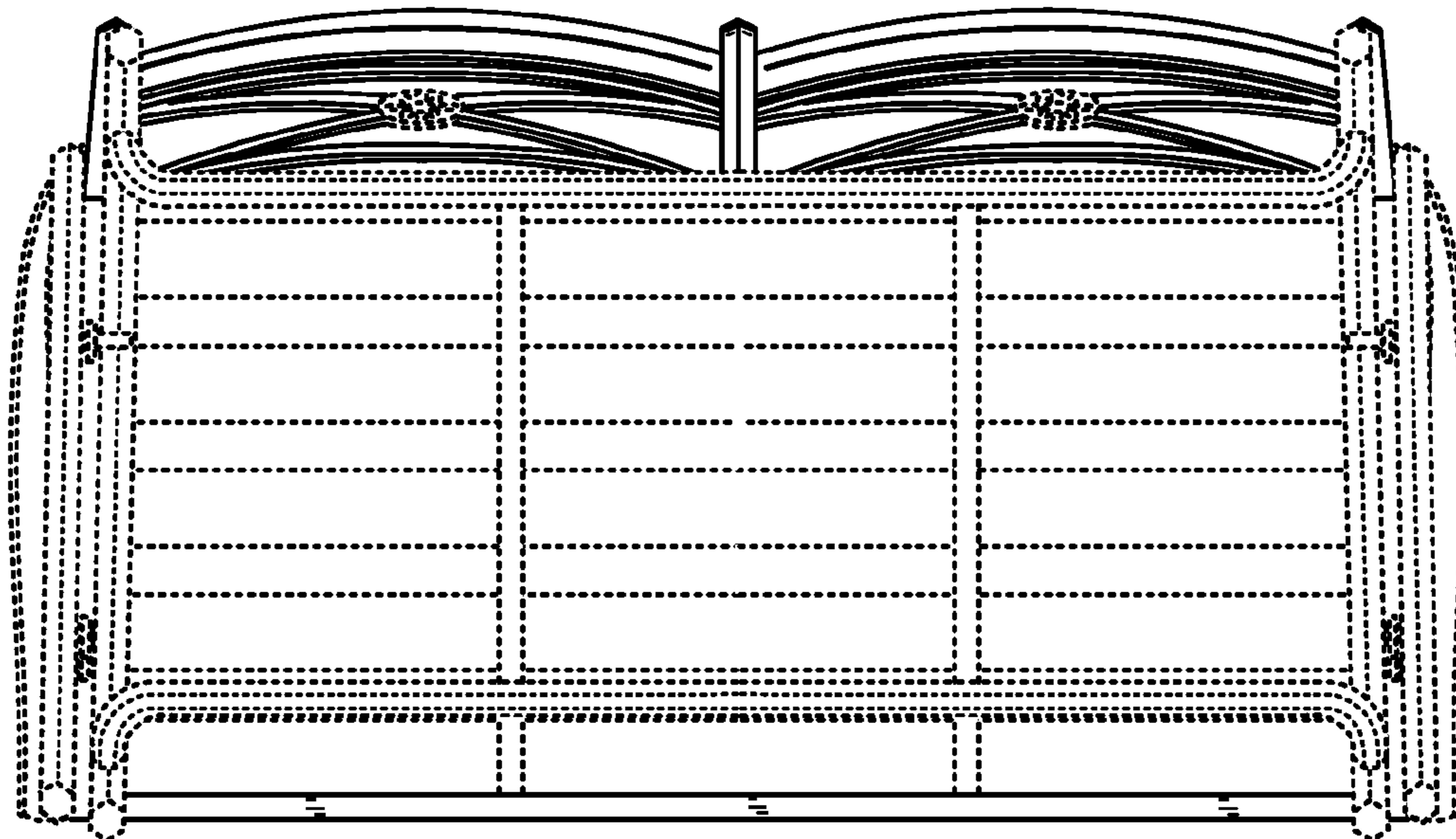


Fig. 14