



US00D675463S

(12) **United States Design Patent**
Collinson et al.

(10) **Patent No.:** **US D675,463 S**

(45) **Date of Patent:** **** *Feb. 5, 2013**

(54) **CHAIR**

(75) Inventors: **Michael Collinson**, Caledon (CA); **Paul Brooks**, Kehl am Rhein (DE)

(73) Assignee: **Bock PPL Inc.**, Cambridge, Ontario (CA)

(*) Notice: This patent is subject to a terminal disclaimer.

(**) Term: **14 Years**

(21) Appl. No.: **29/368,821**

(22) Filed: **Aug. 30, 2010**

(51) **LOC (9) Cl.** **06-01**

(52) **U.S. Cl.** **D6/500; D6/366**

(58) **Field of Classification Search** D6/334-336,
D6/364, 365, 366, 367, 374, 375, 379, 380,
D6/500-502; 297/344.12, 411.4, 445.1,
297/446.1, 452.12, 452.13, 452.14, 452.19,
297/452.29

See application file for complete search history.

(56) **References Cited**

U.S. PATENT DOCUMENTS

D351,069 S * 10/1994 Orlandini et al. D6/366
D552,856 S * 10/2007 Chan D6/366
D553,377 S * 10/2007 Chan D6/366

D554,879 S 11/2007 Wagner
D599,126 S * 9/2009 Chen et al. D6/366
D647,316 S * 10/2011 Kim D6/375
D649,801 S * 12/2011 Salto D6/375

* cited by examiner

Primary Examiner — Mimoso De

(74) *Attorney, Agent, or Firm* — Maschoff Gilmore & Israelsen

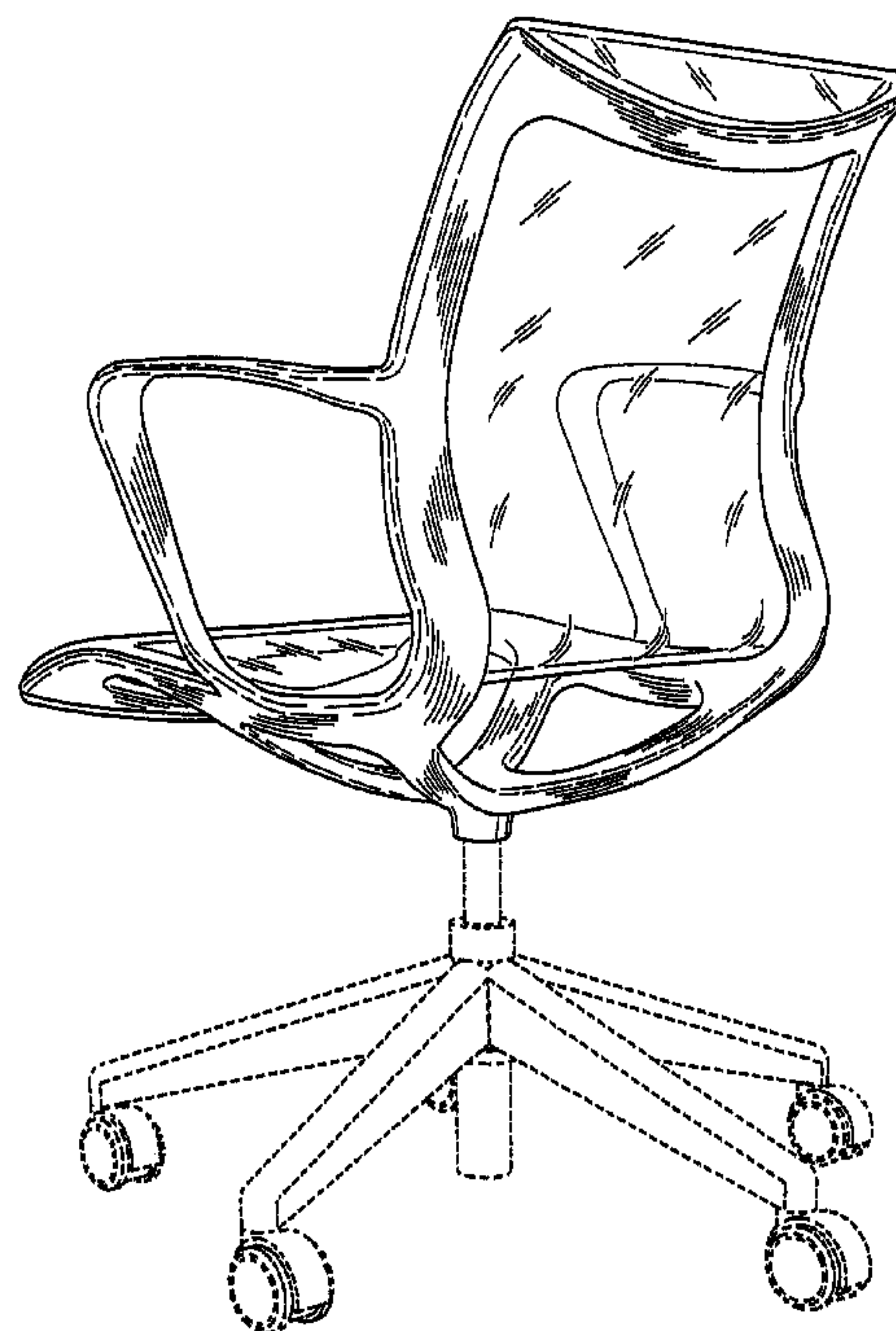
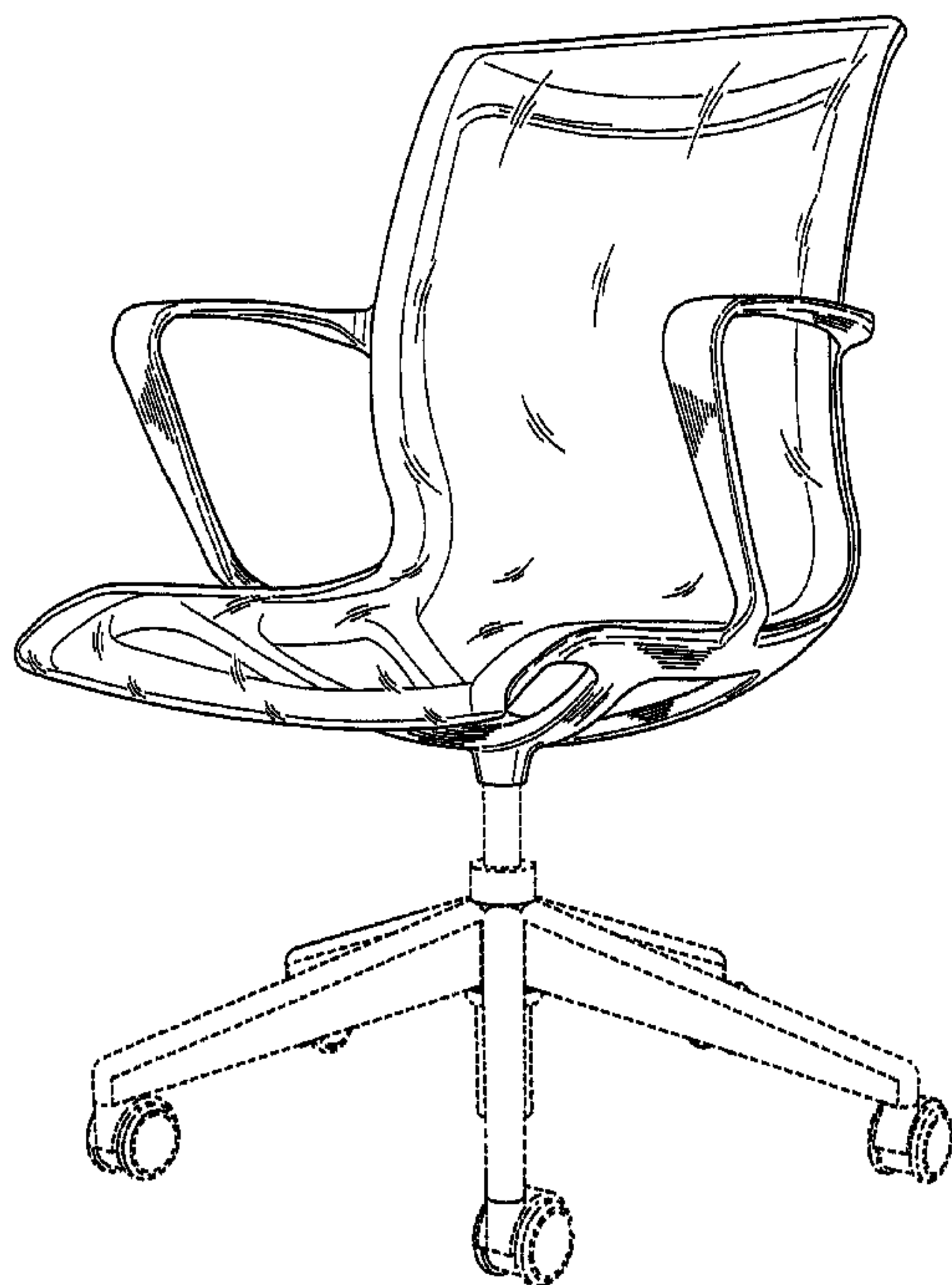
(57) **CLAIM**

The ornamental design for a chair, as shown and described.

DESCRIPTION

FIG. 1 is a front view of a chair embodying the design; FIG. 2 is a left side view of the chair of FIG. 1, with a right side being a mirror image thereof; FIG. 3 is a back view of the chair of FIG. 1; FIG. 4 is a top view of the chair of FIG. 1; FIG. 5 is a front perspective view of the chair of FIG. 1; FIG. 6 is a back perspective view of the chair of FIG. 1; and, FIG. 7 is a bottom perspective view of the chair of FIG. 1. The broken lines shown in the figures are for illustrative purposes only and form no part of the claimed design. For example, the chair base is shown in broken lines and forms no part of the claimed design.

1 Claim, 7 Drawing Sheets



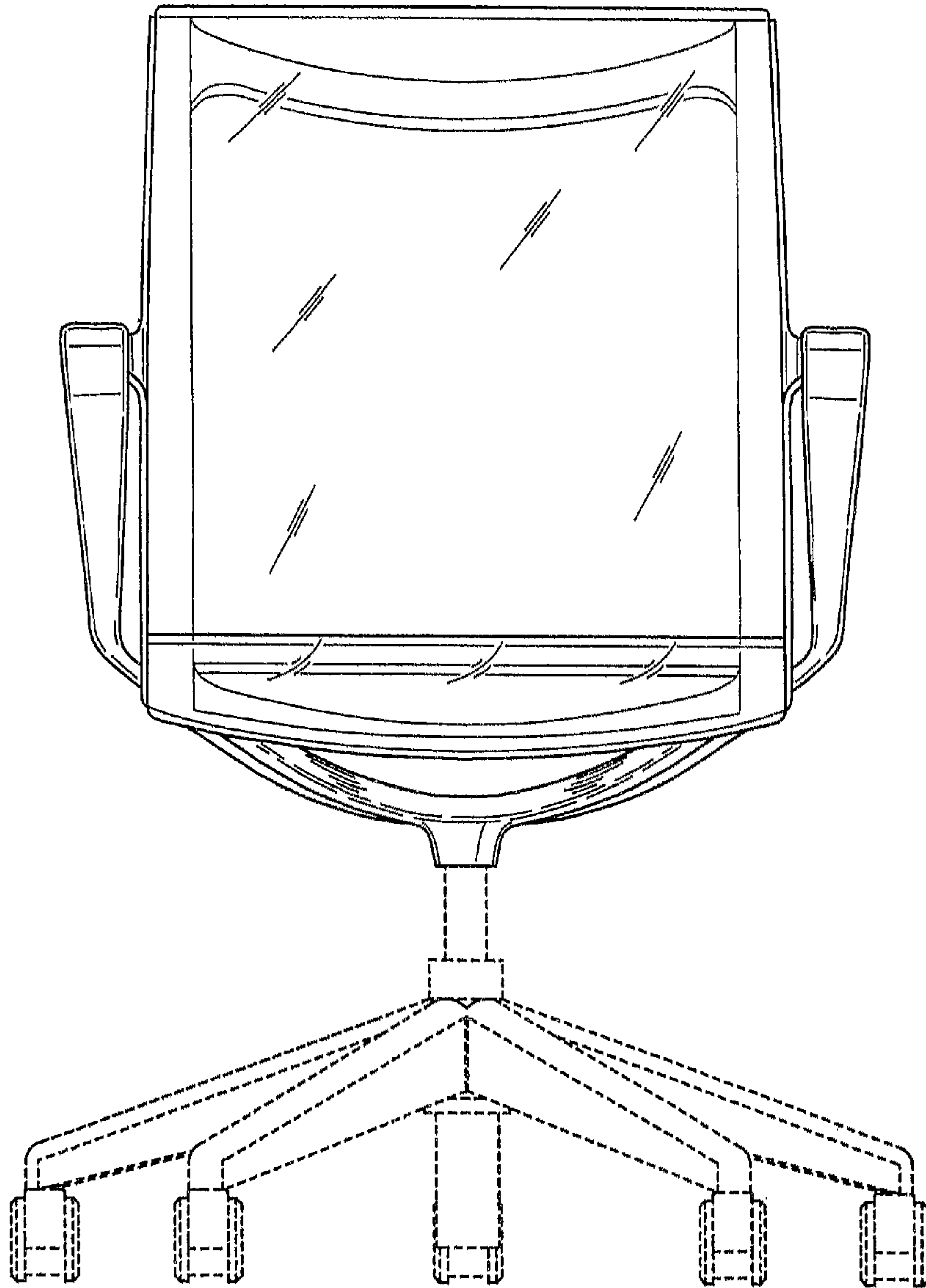


FIG. 1

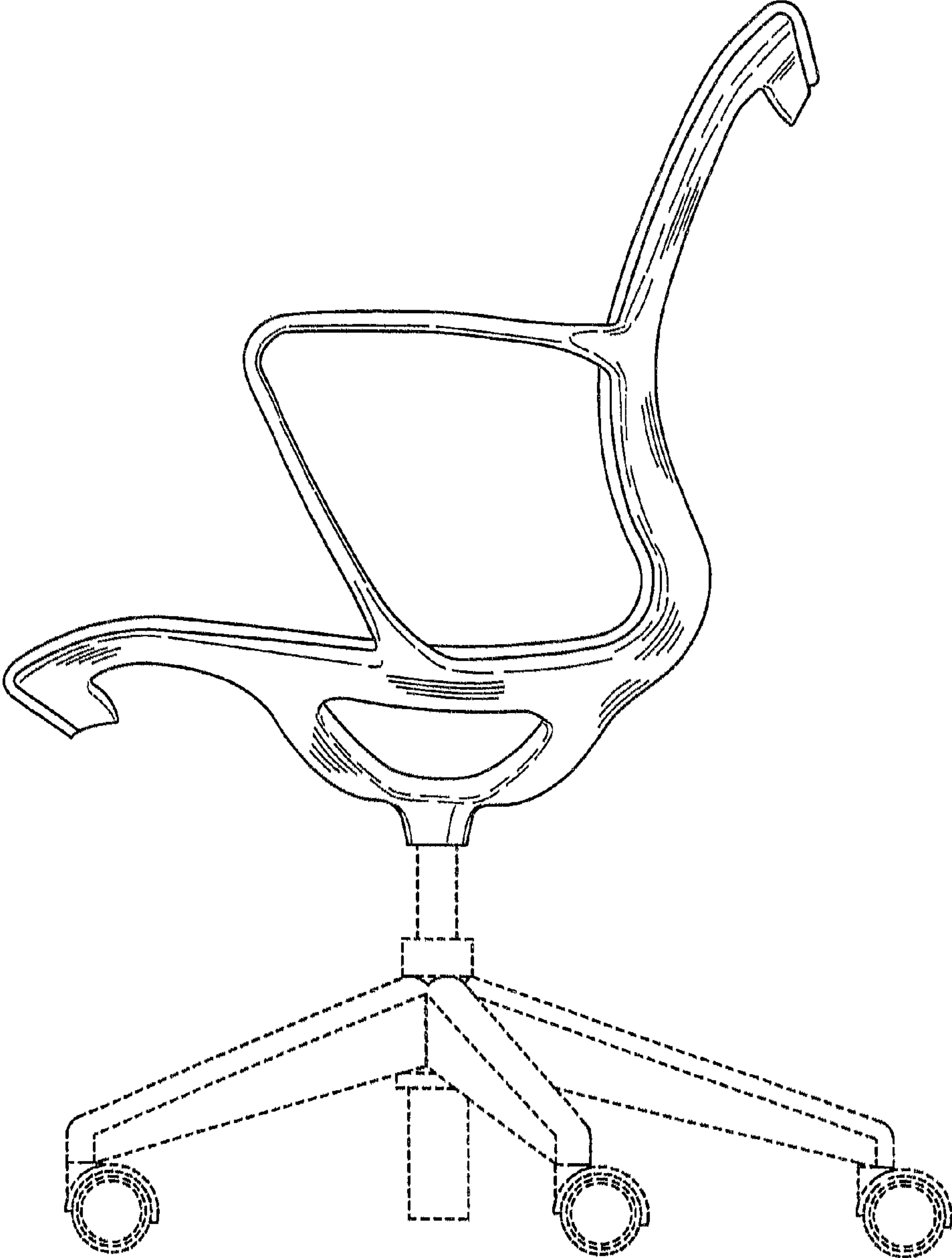


FIG. 2

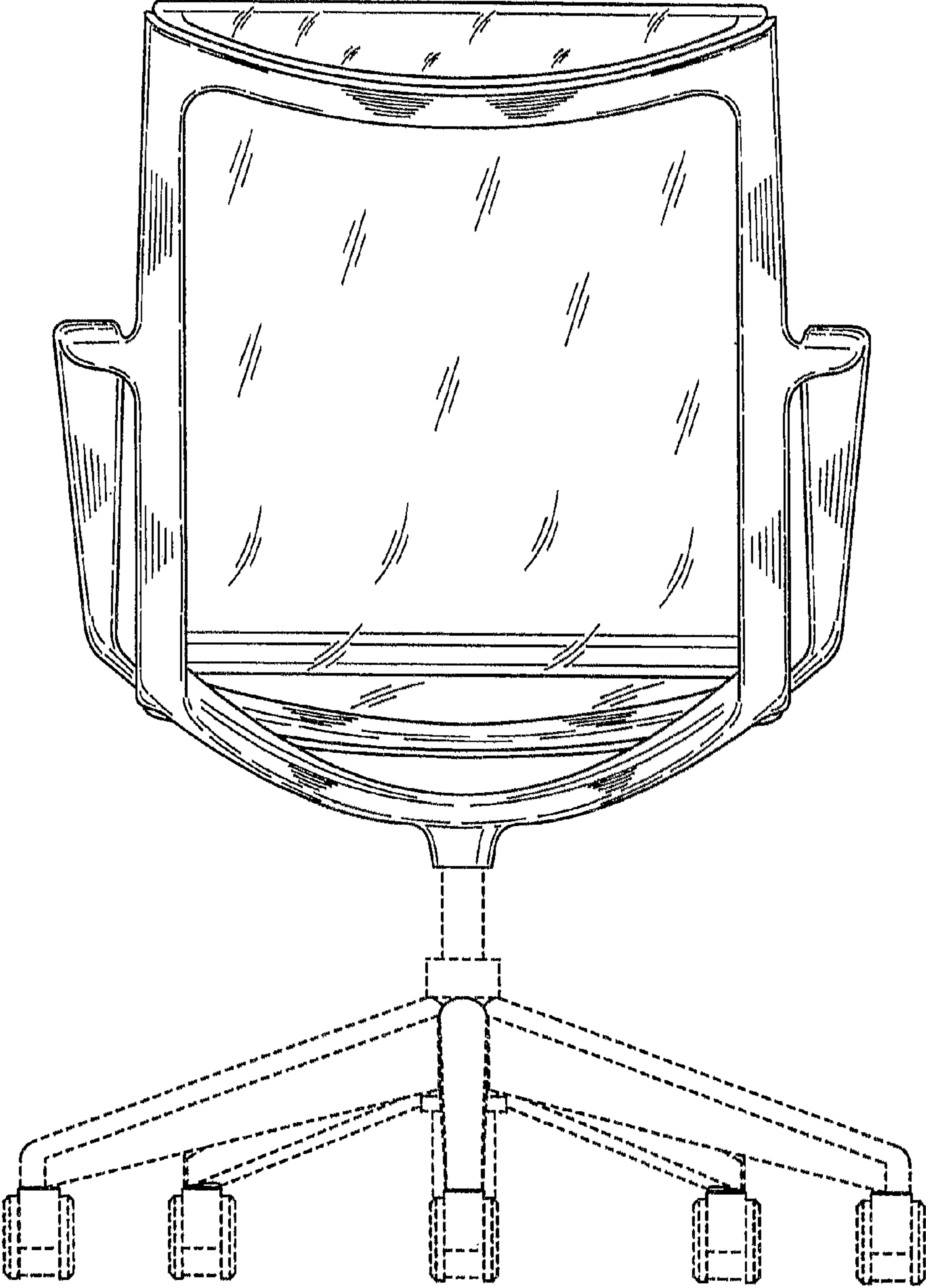


FIG. 3

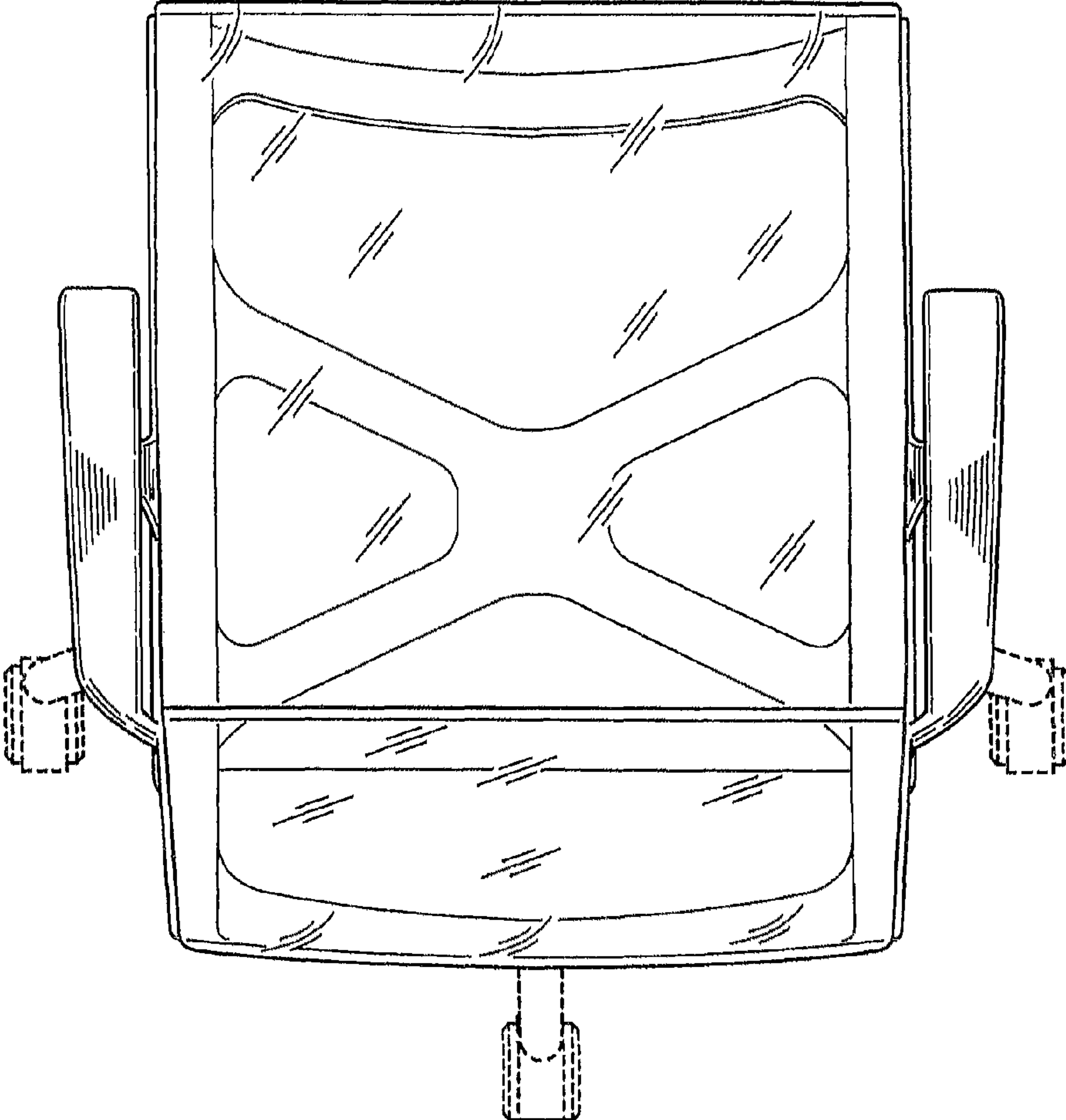


FIG. 4

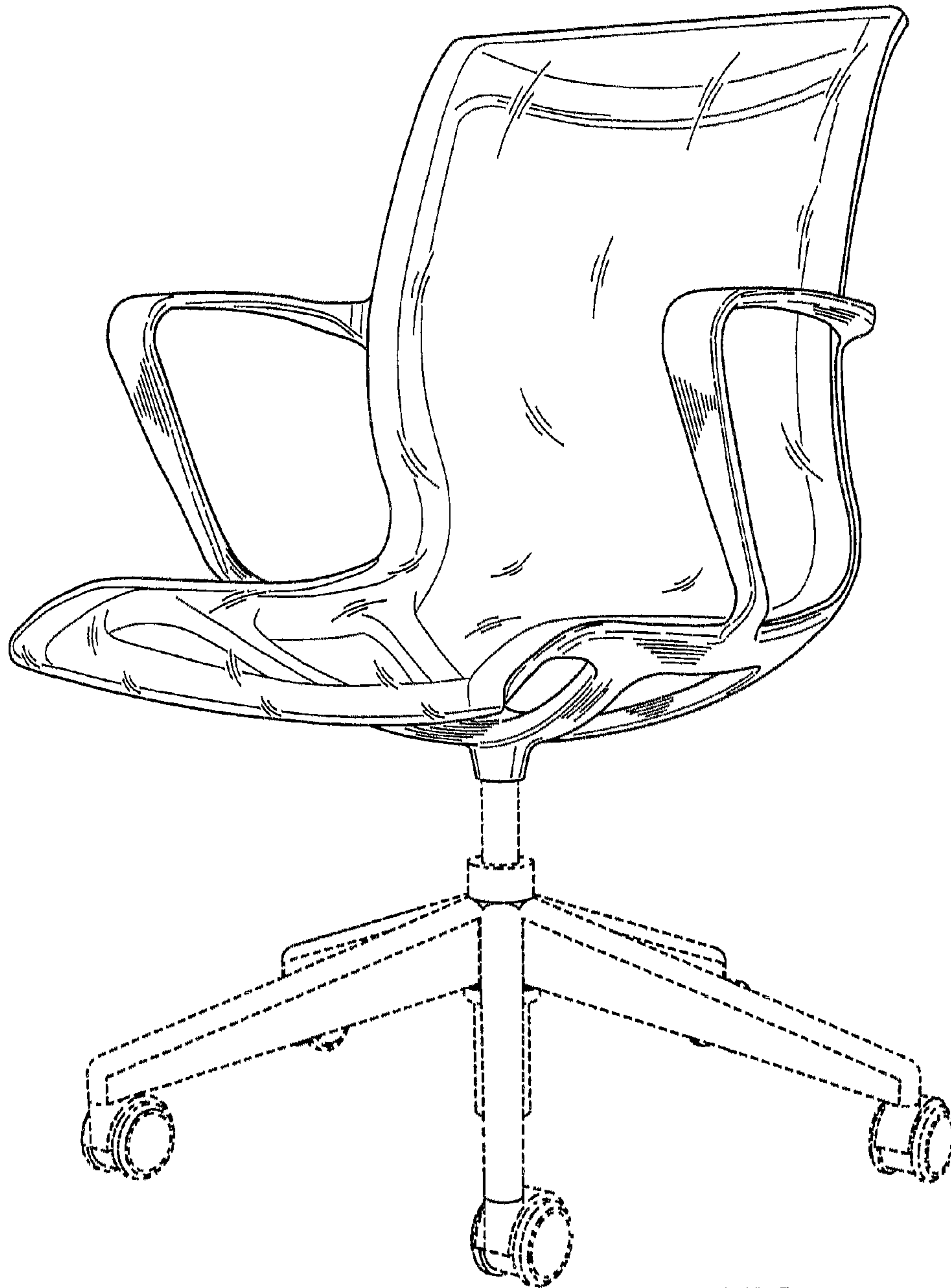


FIG. 5

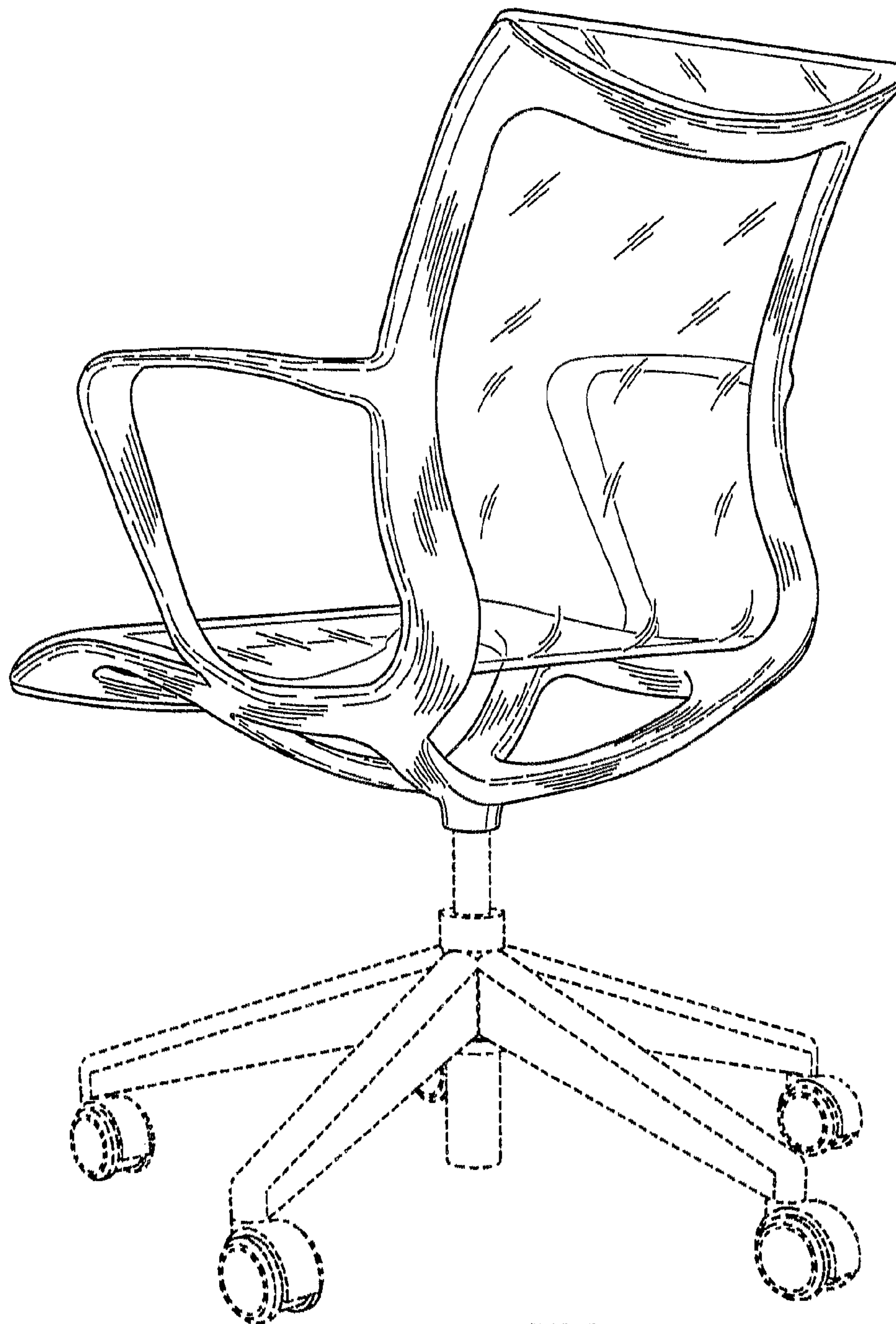


FIG. 6

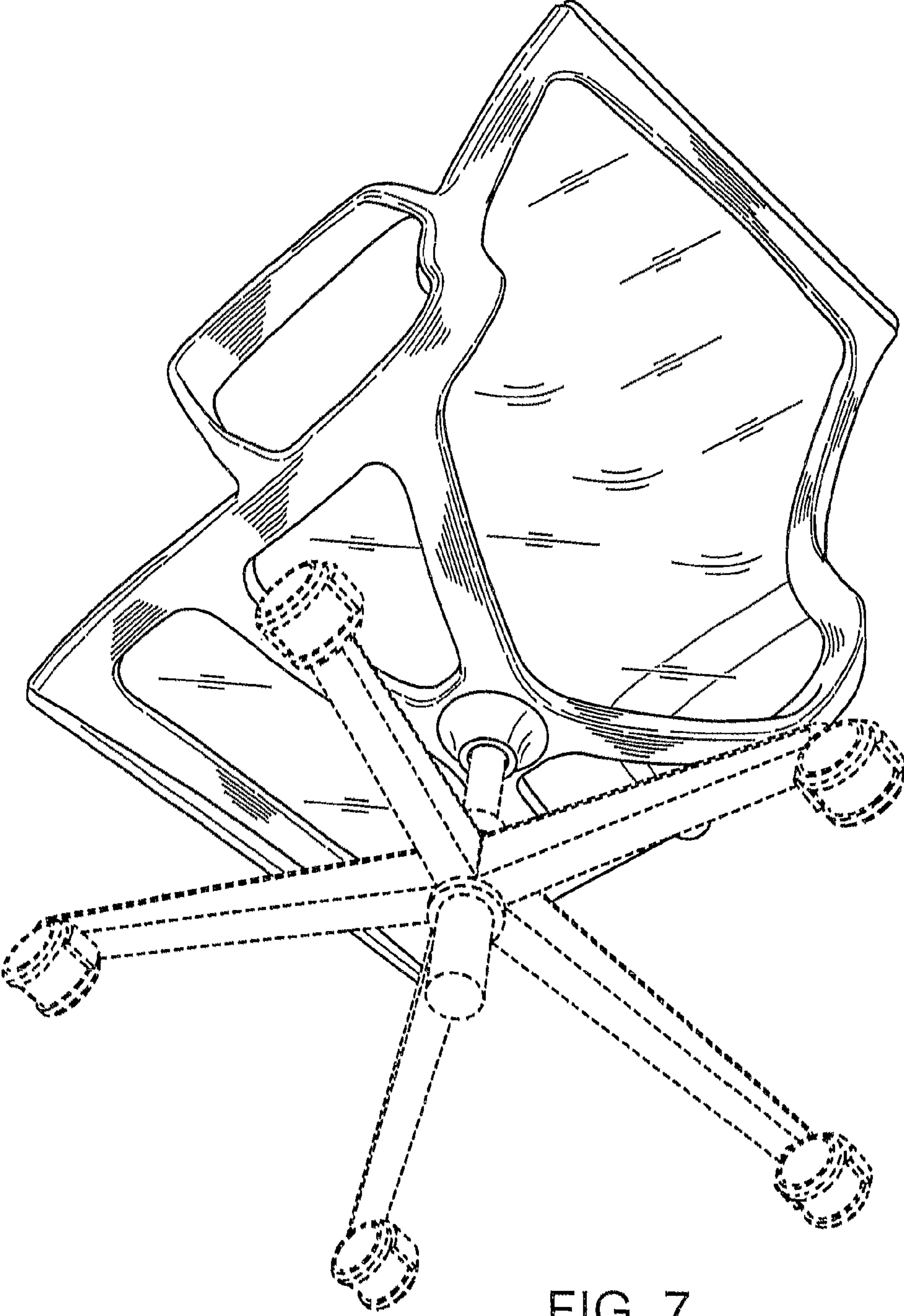


FIG. 7