



US00D675460S

(12) **United States Design Patent**  
**Kanhasamy**

(10) **Patent No.:** **US D675,460 S**

(45) **Date of Patent:** **\*\* Feb. 5, 2013**

(54) **CONVERTIBLE SOFA WITH MULTIPLE POSITIONS**

(75) Inventor: **Abedan Kanhasamy**, Kuala Lumpur (MY)

(73) Assignee: **Lifestyle Solutions, Inc.**, Fremont, CA (US)

(\*\*) Term: **14 Years**

(21) Appl. No.: **29/391,370**

(22) Filed: **May 6, 2011**

(51) **LOC (9) Cl.** ..... **06-01**

(52) **U.S. Cl.** ..... **D6/381**

(58) **Field of Classification Search** ..... D6/334–338, D6/349, 355, 361, 368–370, 376, 379–381, D6/492, 500–502; 297/16.1, 42, 94, 135, 297/175, 232, 233, 350, 351, 445.1, 448.1, 297/448.2, 451.9; 5/12.1, 12.2

See application file for complete search history.

(56) **References Cited**

**U.S. PATENT DOCUMENTS**

D169,911 S *	6/1953	Netzer	.....	D6/381
D170,088 S *	7/1953	Hoffman	.....	D6/381
D170,665 S *	10/1953	Spence	.....	D6/381
D175,877 S *	10/1955	Bartolucci	.....	D6/381
2,774,977 A *	12/1956	Mintz	.....	5/12.1
4,110,855 A *	9/1978	Acker	.....	5/45
4,292,698 A *	10/1981	Acker	.....	5/45
D272,968 S *	3/1984	Fairaizen	.....	D6/381
D444,305 S *	7/2001	Mourgue	.....	D6/335
D446,962 S *	8/2001	Mourgue	.....	D6/381
D455,281 S *	4/2002	Andersen et al.	.....	D6/381
D455,282 S *	4/2002	Andersen et al.	.....	D6/381
D498,075 S *	11/2004	Mourgue	.....	D6/381
D569,123 S *	5/2008	Rooz et al.	.....	D6/381
D583,585 S *	12/2008	Weiss	.....	D6/381
D603,618 S *	11/2009	Weiss	.....	D6/381
D604,957 S *	12/2009	Weiss	.....	D6/381
D610,366 S *	2/2010	Kanhasamy	.....	D6/381
D614,419 S *	4/2010	Andersen	.....	D6/381

D615,766 S *	5/2010	Andersen	.....	D6/381
D621,174 S *	8/2010	Kanhasamy	.....	D6/381
D635,791 S *	4/2011	Kanhasamy	.....	D6/381
D635,793 S *	4/2011	Kanhasamy	.....	D6/381
D635,794 S *	4/2011	Kanhasamy	.....	D6/381
D639,084 S *	6/2011	Andersen	.....	D6/381
D642,820 S *	8/2011	Andersen	.....	D6/381
D643,226 S *	8/2011	Kanhasamy	.....	D6/381
RE43,754 E *	10/2012	Andersen	.....	D6/381

\* cited by examiner

*Primary Examiner* — Sandra Snapp

(74) *Attorney, Agent, or Firm* — Robert A. Voight, Jr.; Winstead P.C.

(57) **CLAIM**

The ornamental design for a convertible sofa with multiple positions, as shown and described.

**DESCRIPTION**

FIG. 1 is a front perspective view of the convertible sofa being in a sofa position;

FIG. 2 is a front perspective view of the convertible sofa being in a lounge position;

FIG. 3 is a front perspective view of the convertible sofa being in a chaise position with the sides of the seat deck and backrest being raised to the same level on opposite sides of one another;

FIG. 4 is a front perspective view of the convertible sofa being in a chaise position with the sides of the seat deck and backrest being raised to the same level on the same side;

FIG. 5 is a front perspective view of the convertible sofa being in a bed position;

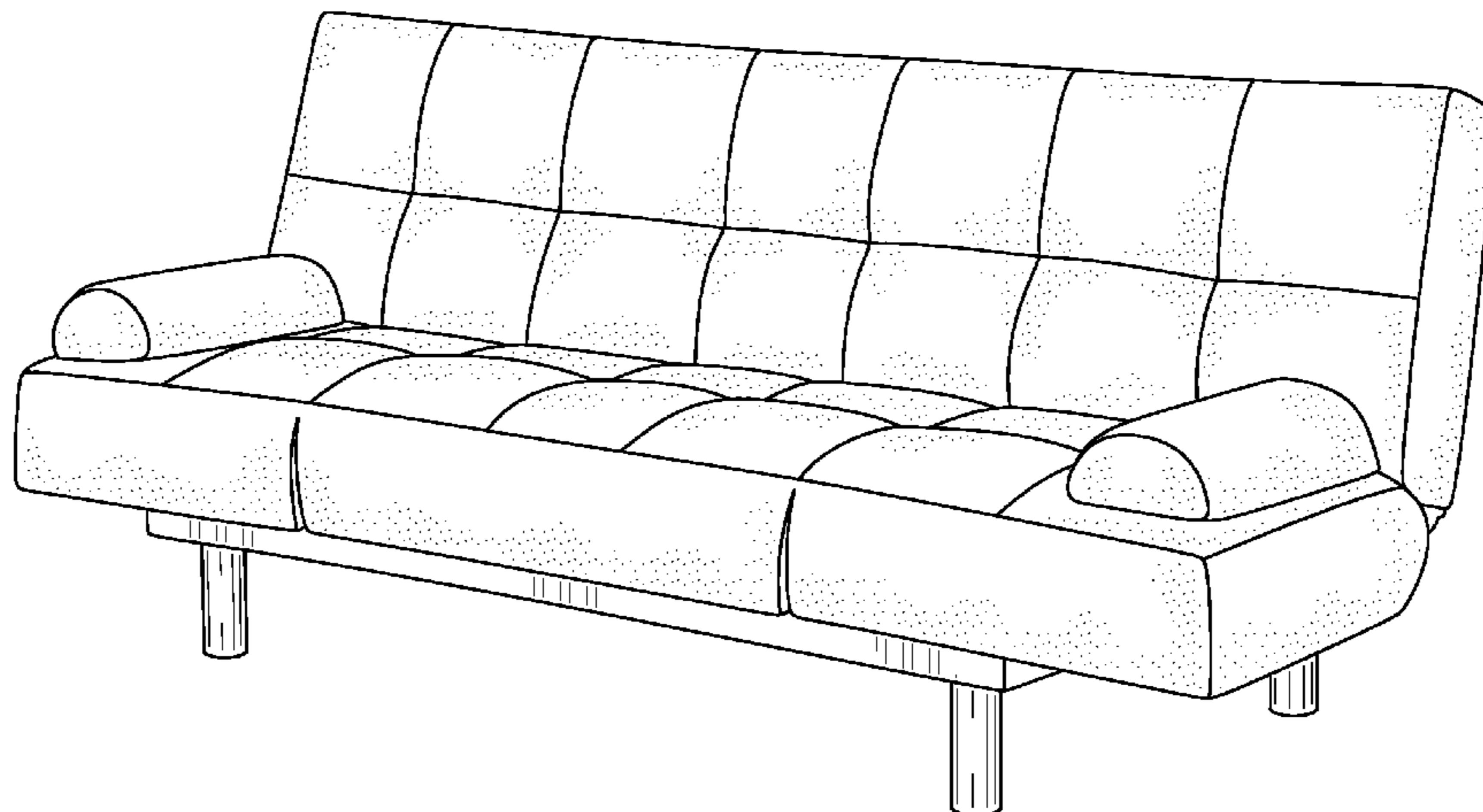
FIG. 6 is a top plan view of the convertible sofa being in the bed position;

FIG. 7 is a rear perspective view of the side of the convertible sofa being in the sofa position;

FIG. 8 is a rear perspective view of the convertible sofa being in the sofa position; and,

FIG. 9 is a side elevation view of the convertible sofa being in the sofa position.

**1 Claim, 8 Drawing Sheets**



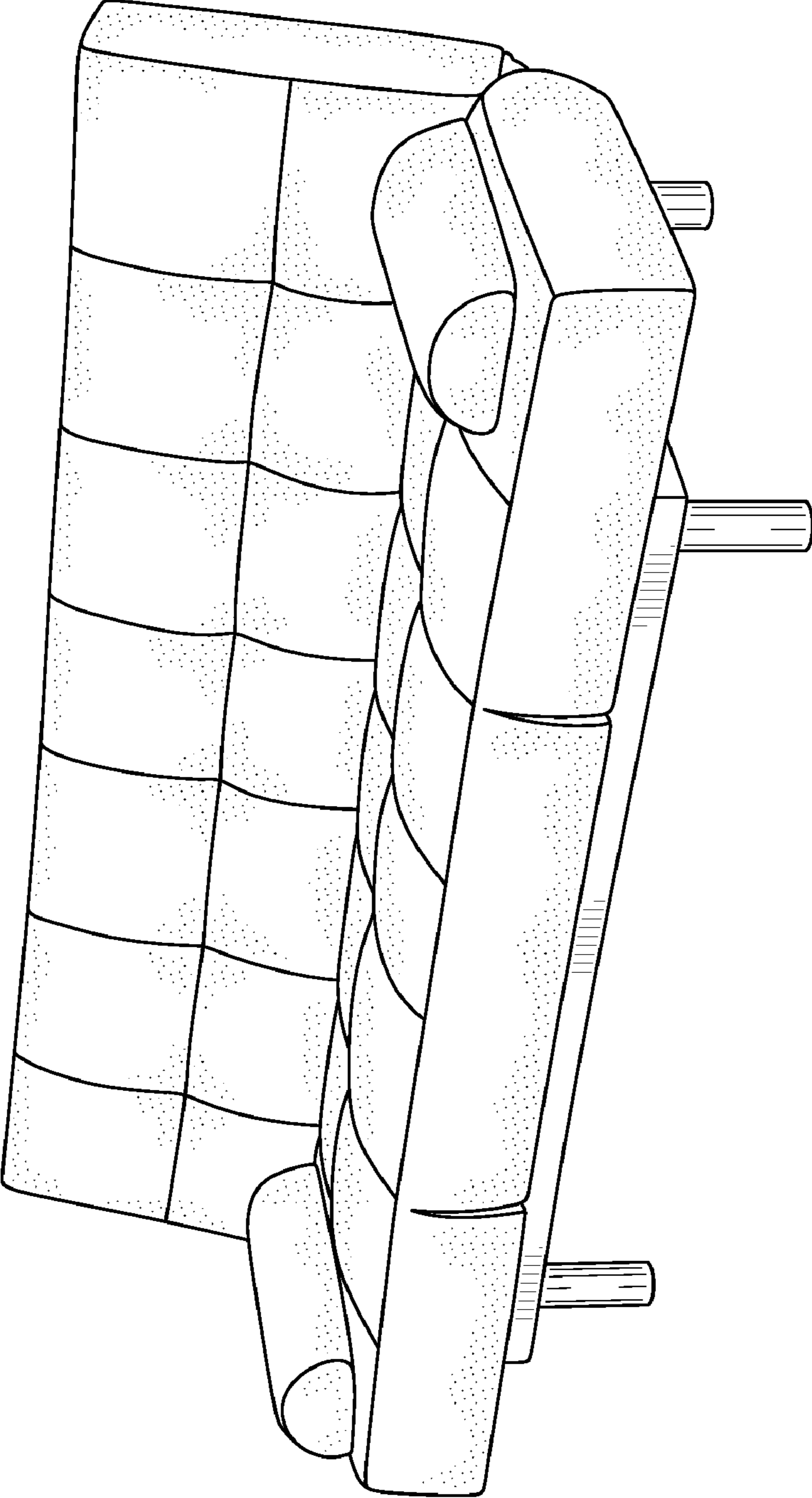


FIG. 1

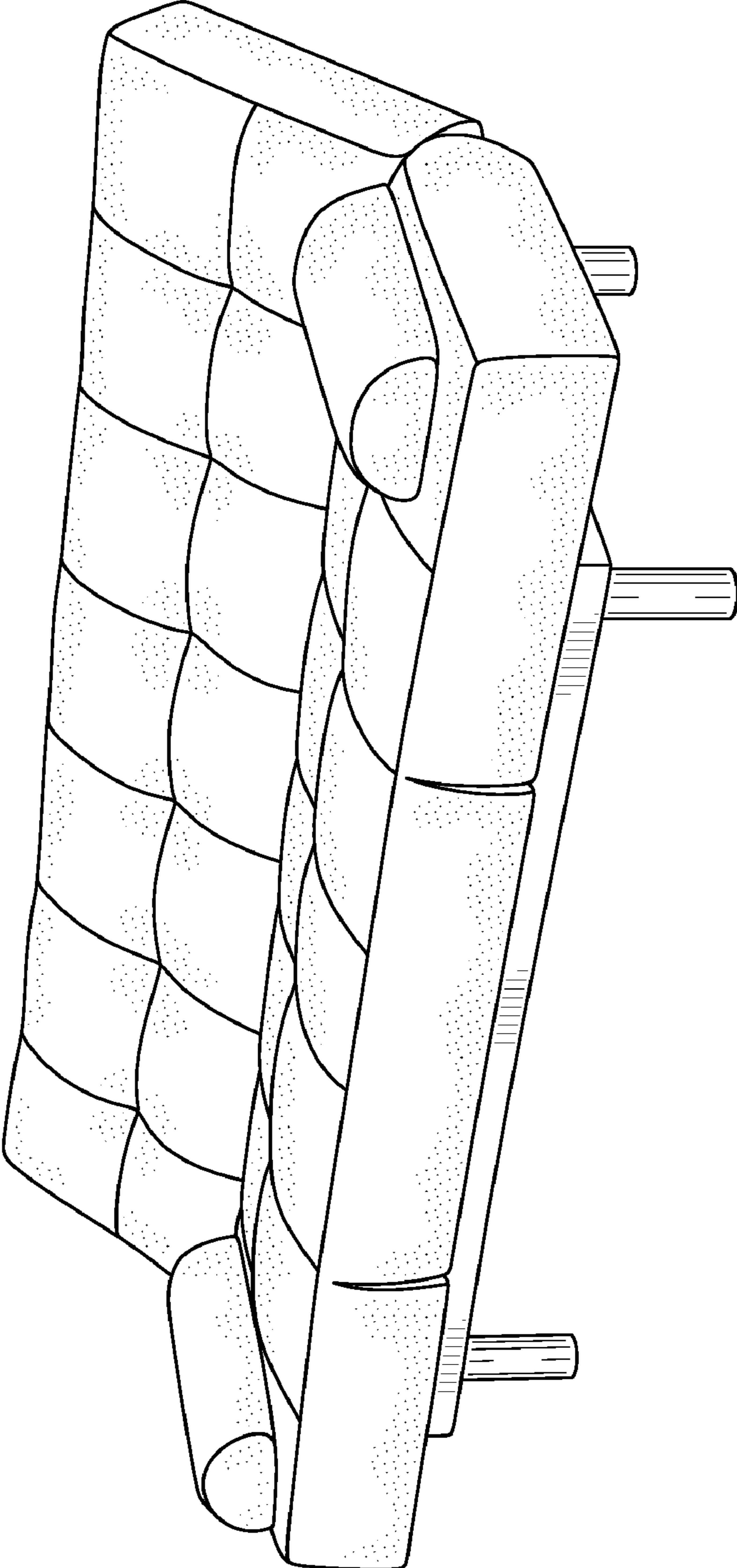


FIG. 2

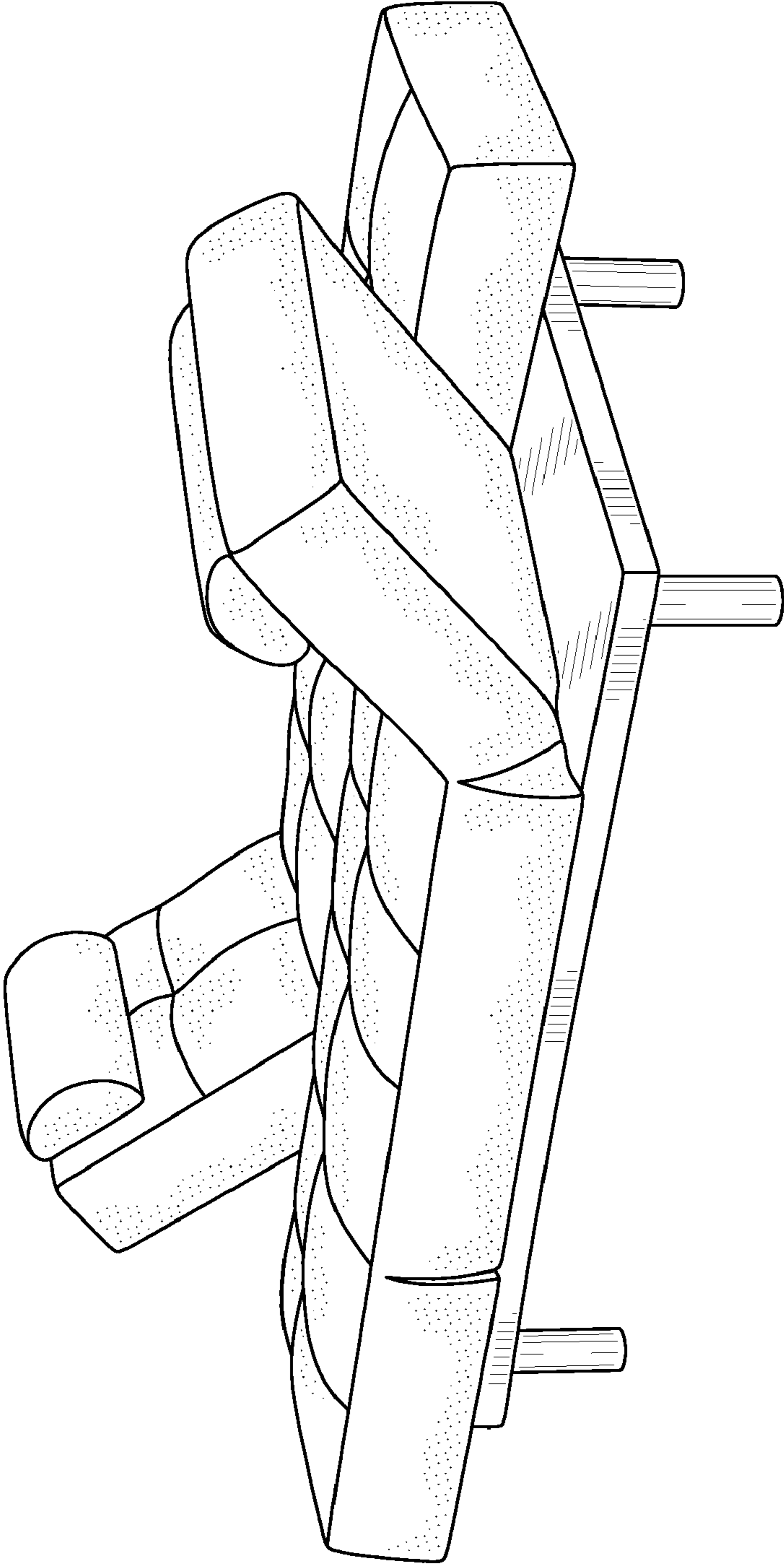


FIG. 3

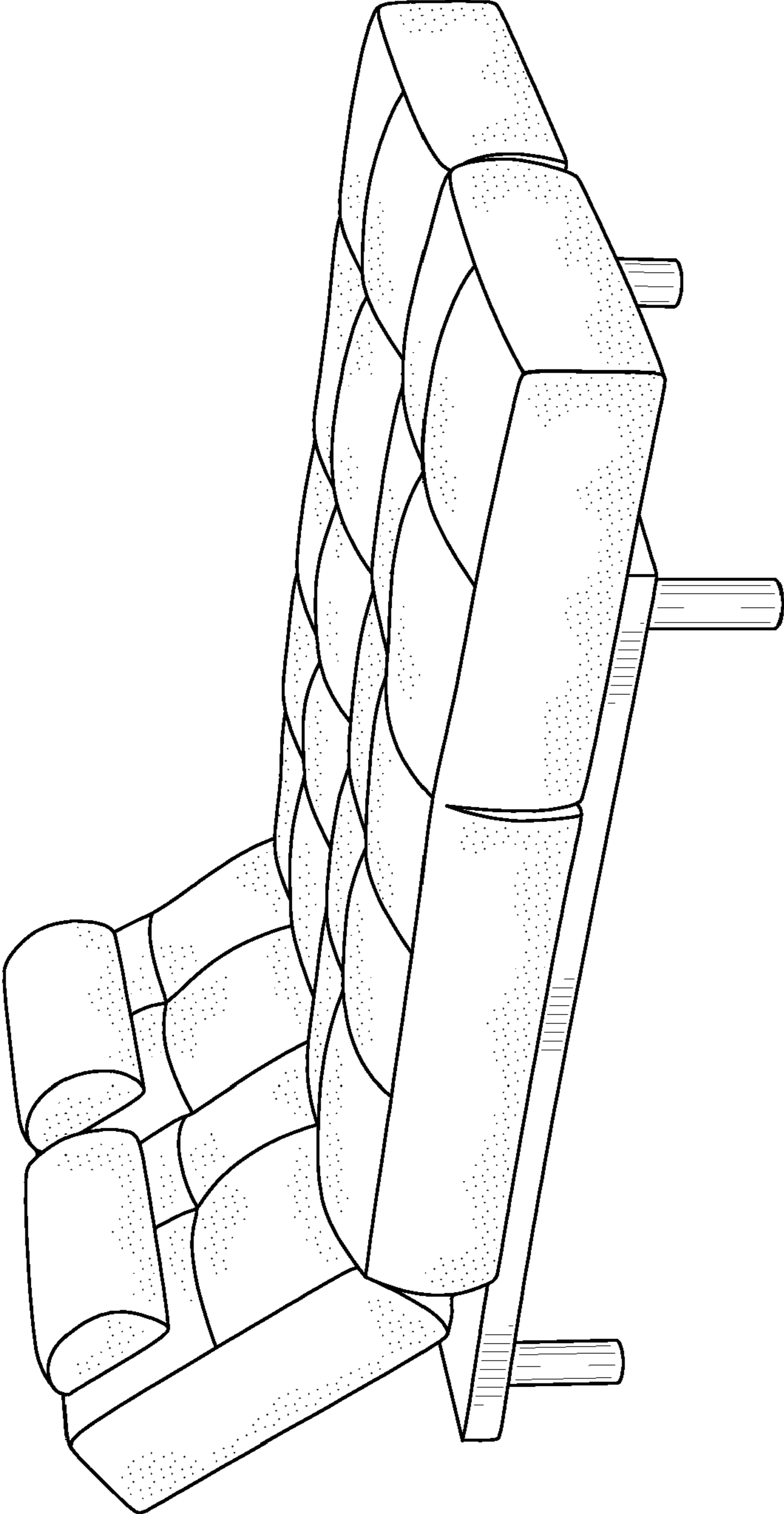


FIG. 4

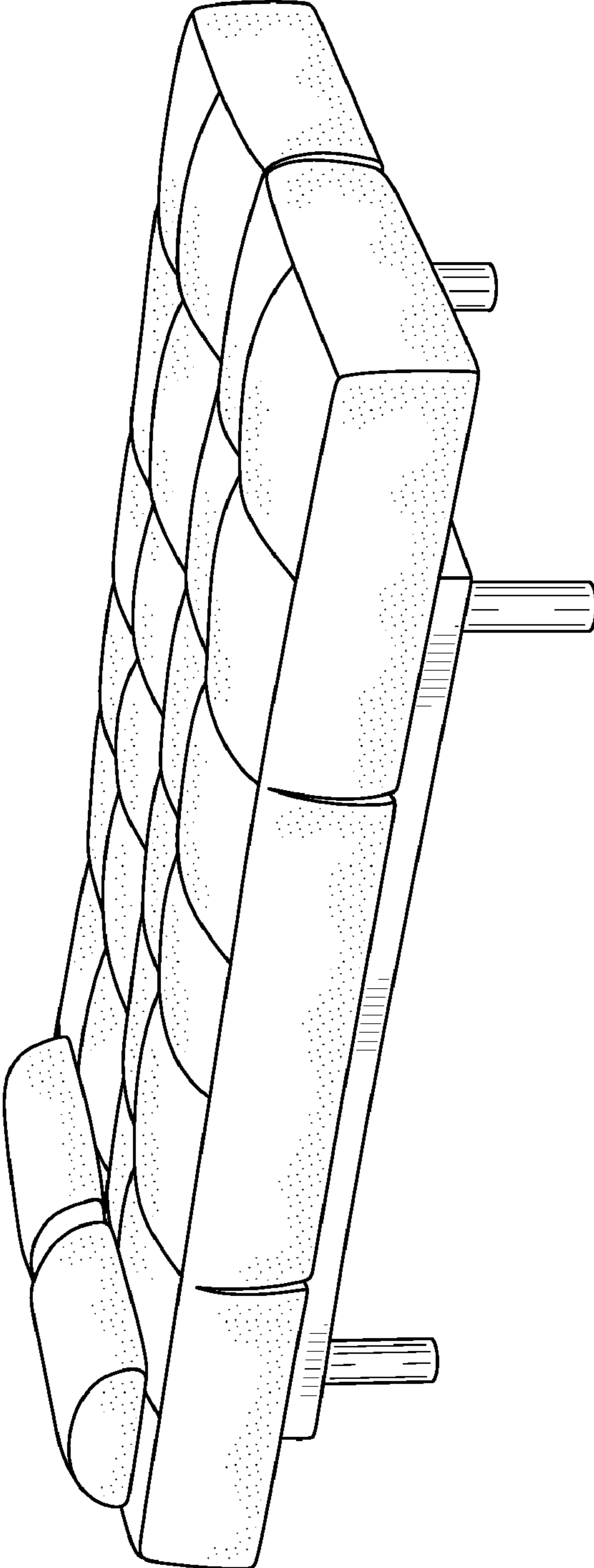


FIG. 5

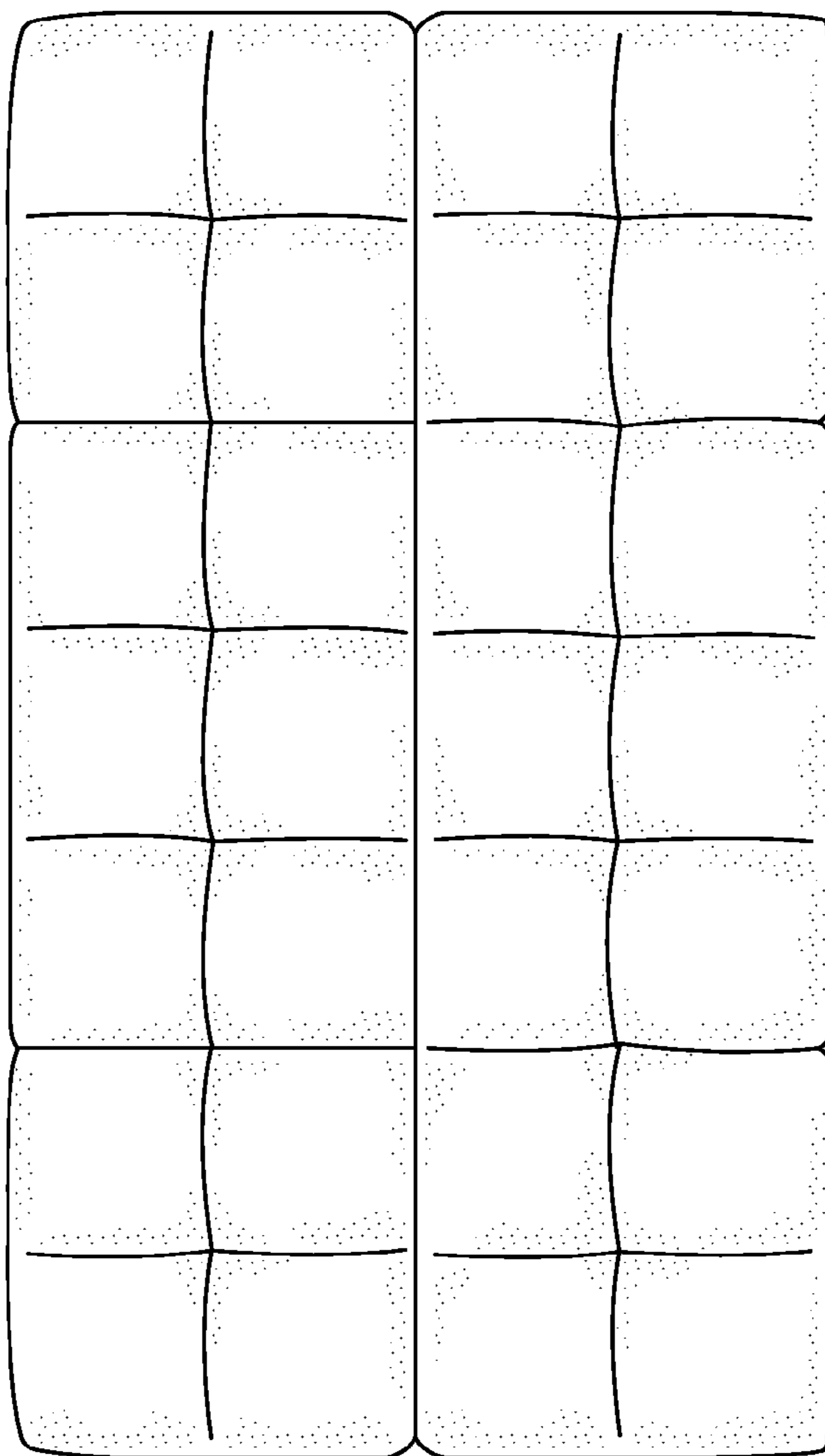


FIG. 6

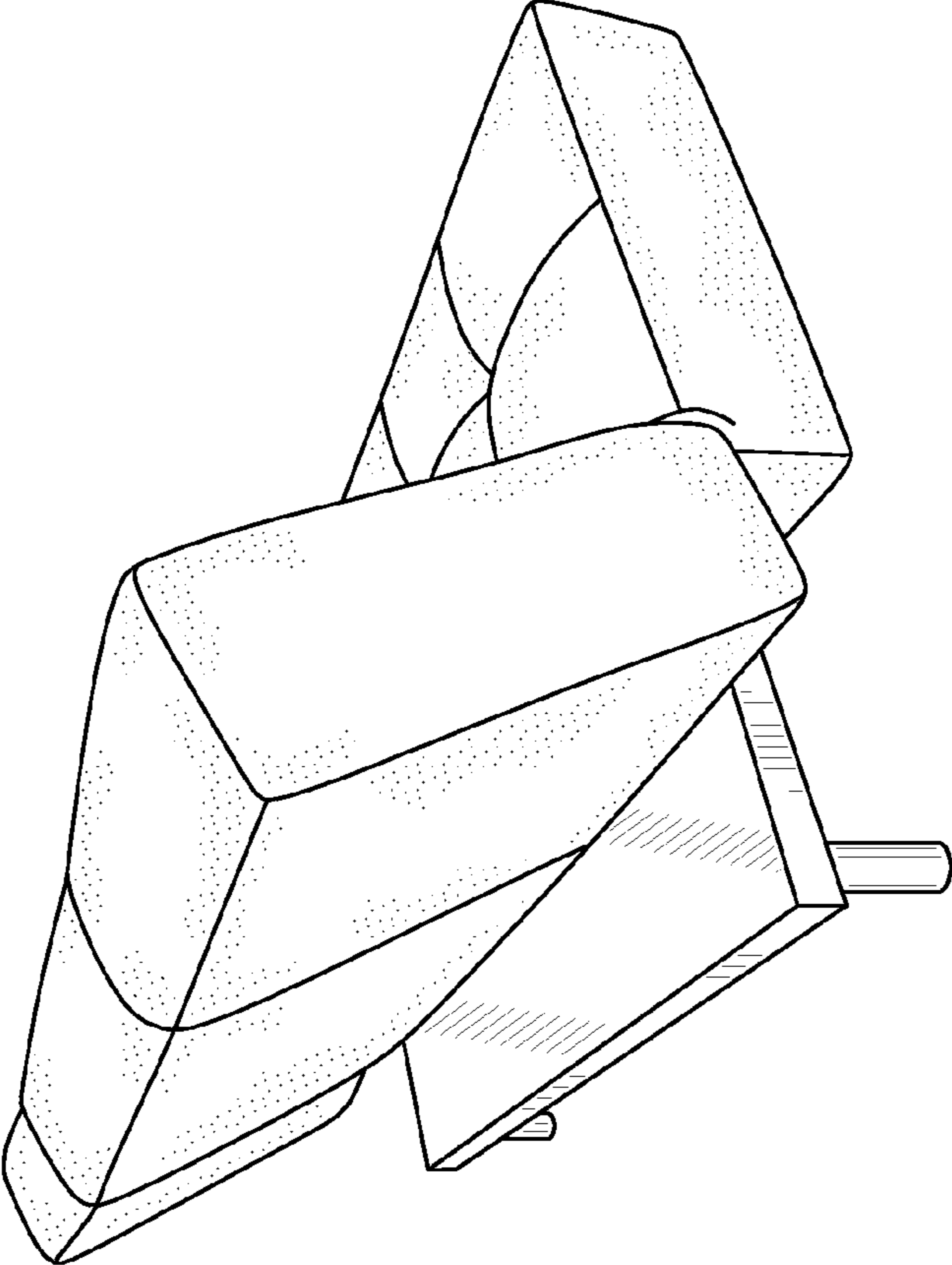


FIG. 7



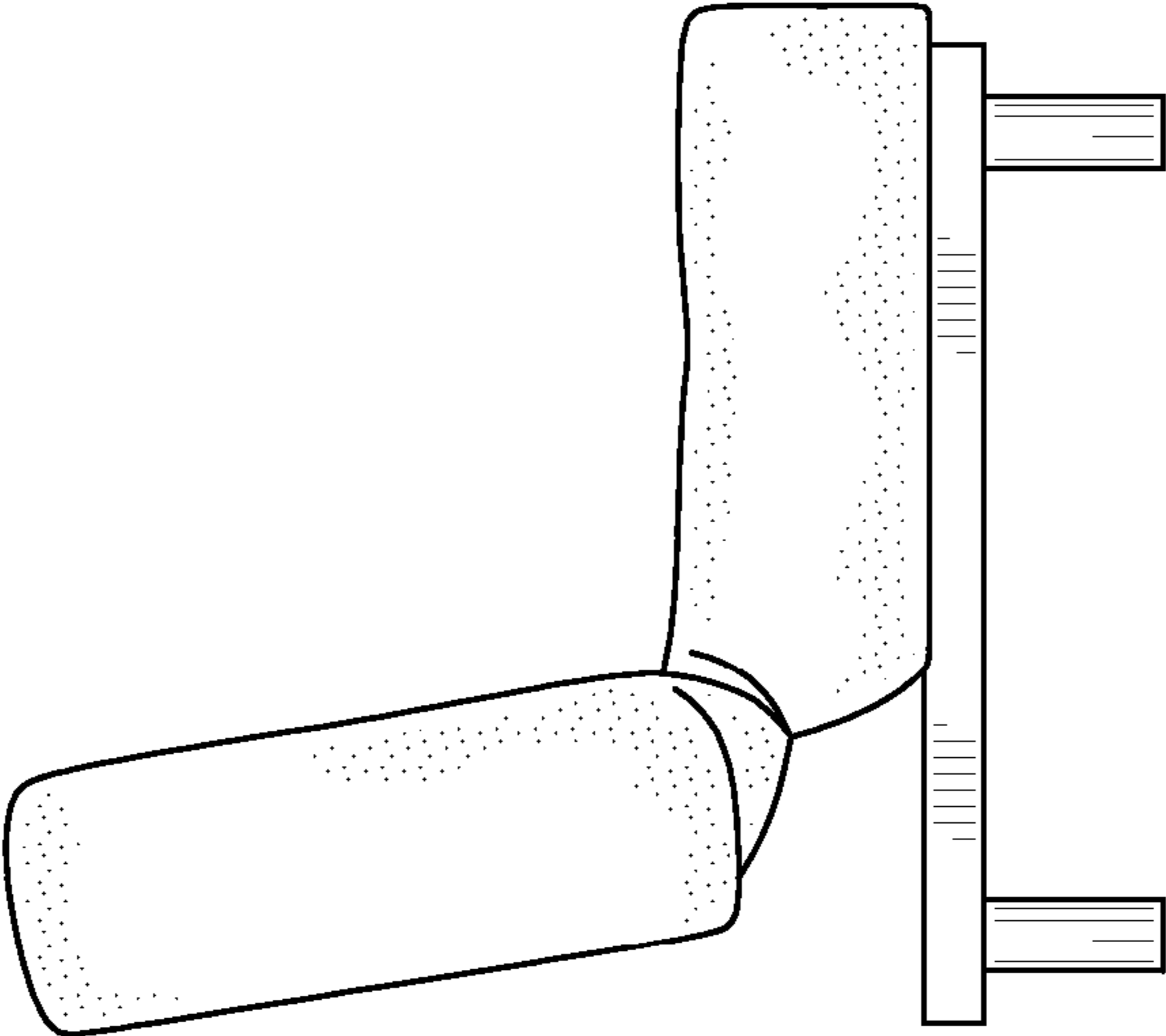


FIG. 9

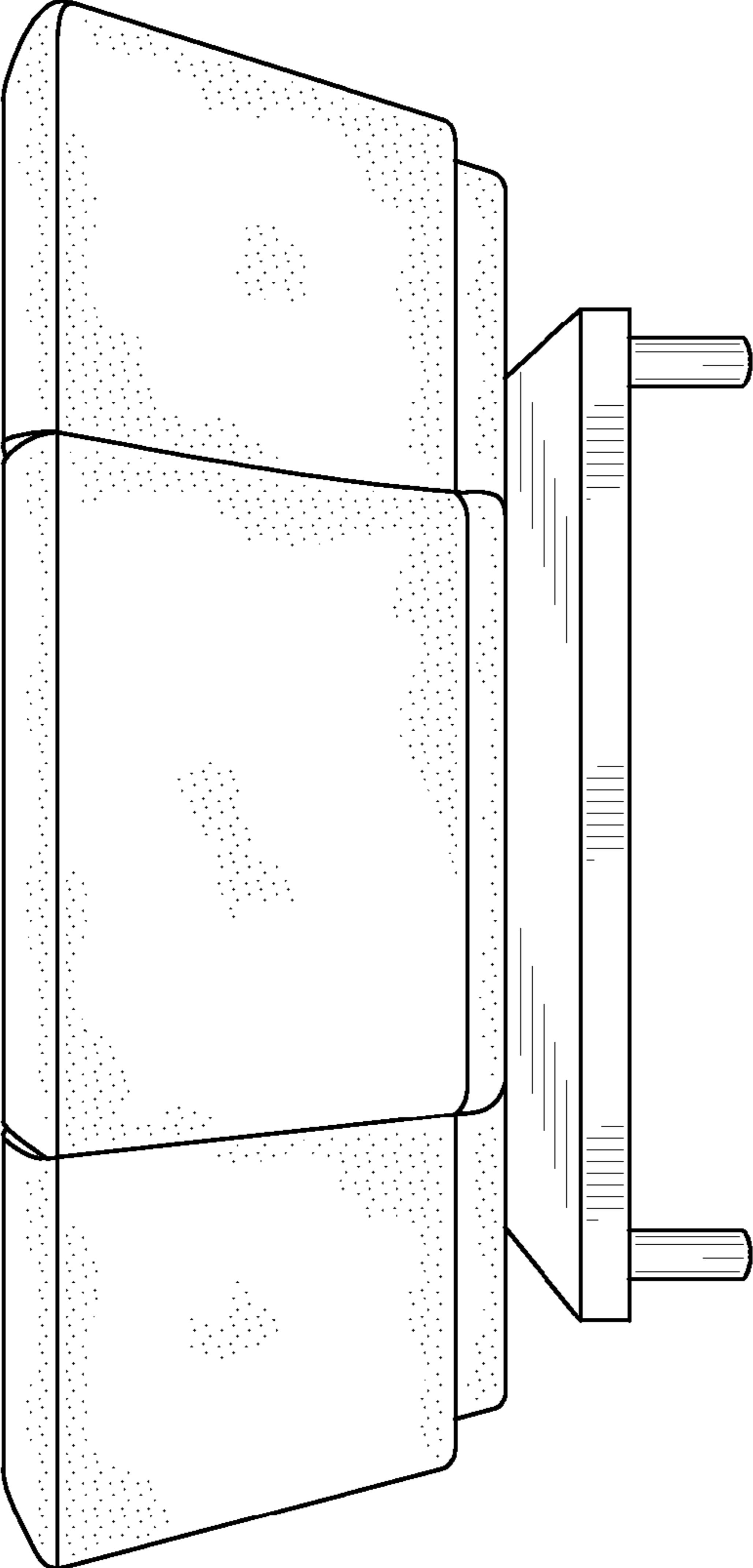


FIG. 8