



US00D675456S

(12) **United States Design Patent**  
**Sexton**

(10) **Patent No.:** **US D675,456 S**

(45) **Date of Patent:** **\*\* Feb. 5, 2013**

(54) **TASK CHAIR**

(75) **Inventor:** **James S. Sexton**, San Ramon, CA (US)

(73) **Assignee:** **Z-Line Designs, Inc.**, San Ramon, CA (US)

(\*\*) **Term:** **14 Years**

(21) **Appl. No.:** **29/401,750**

(22) **Filed:** **Sep. 14, 2011**

(51) **LOC (9) Cl.** ..... **06-01**

(52) **U.S. Cl.** ..... **D6/366**

(58) **Field of Classification Search** ..... D6/334-336,  
D6/364, 365, 366, 367, 369, 379, 380, 498,  
D6/500-502; 297/411.27, 452.13, 452.21,  
297/452.29, 452.35, 452.46, 452.48, 452.56,  
297/452.64

See application file for complete search history.

(56) **References Cited**

**U.S. PATENT DOCUMENTS**

D346,279 S \* 4/1994 Stumpf et al. .... D6/366  
D507,437 S \* 7/2005 Klaasen et al. .... D6/500  
D558,995 S \* 1/2008 Igarashi ..... D6/366

D572,923 S \* 7/2008 Huang ..... D6/366  
D573,817 S \* 7/2008 Su ..... D6/502  
D600,461 S \* 9/2009 Sexton ..... D6/366  
D618,927 S \* 7/2010 Zhang ..... D6/366

\* cited by examiner

*Primary Examiner* — Mimoso De

(74) *Attorney, Agent, or Firm* — Kilpatrick Townsend & Stockton LLP

(57) **CLAIM**

The ornamental design for a task chair, as shown and described.

**DESCRIPTION**

FIG. 1 is a perspective view of a task chair showing my new design;  
FIG. 2 is a front elevational view thereof;  
FIG. 3 is a rear elevational view thereof;  
FIG. 4 is a left side elevational view thereof;  
FIG. 5 is a right side elevational view thereof;  
FIG. 6 is a top plan view thereof; and,  
FIG. 7 is a perspective view of the task chair of FIG. 1 shown with the arm rests in an alternate position.

**1 Claim, 7 Drawing Sheets**





FIG. 1

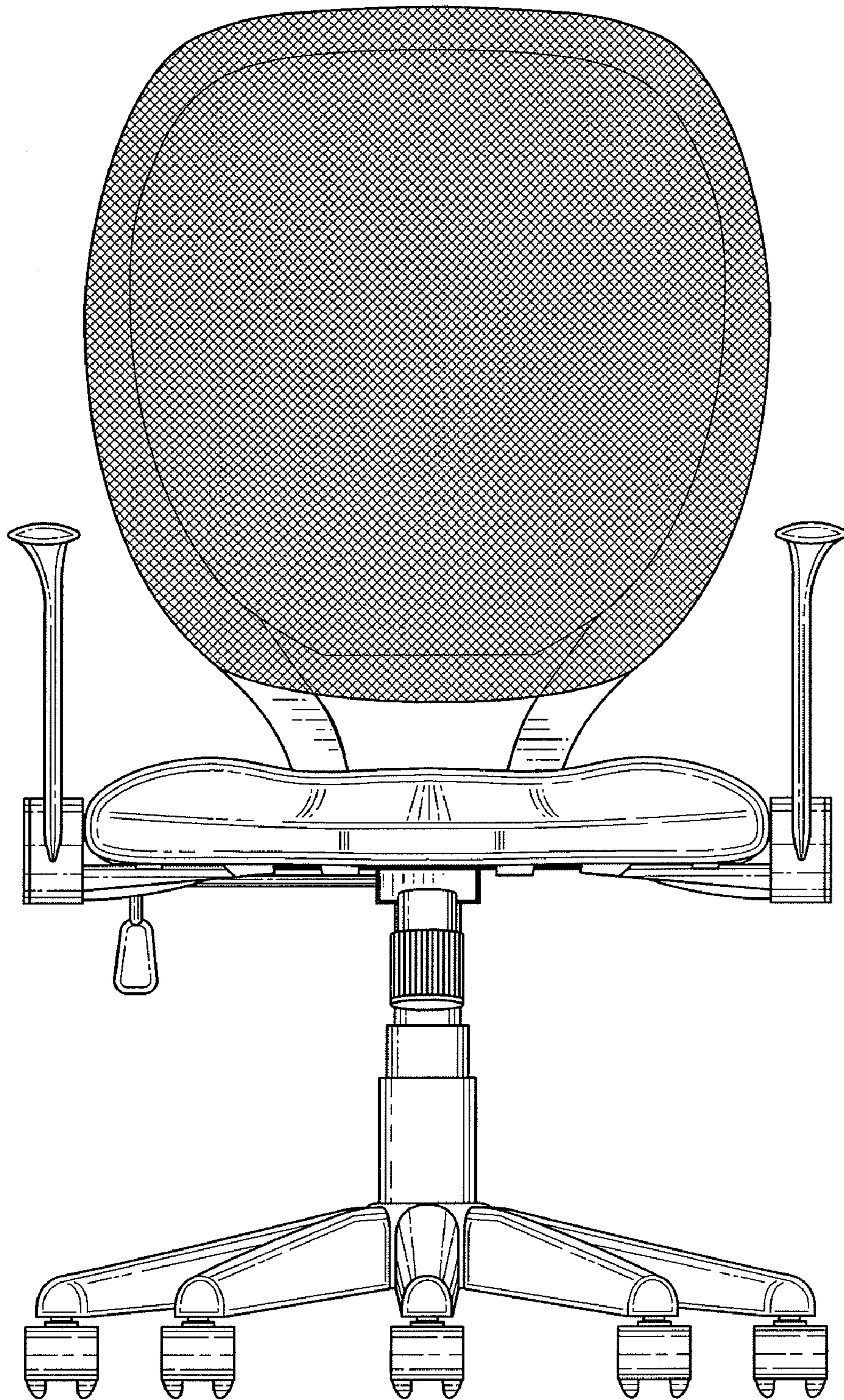


FIG. 2

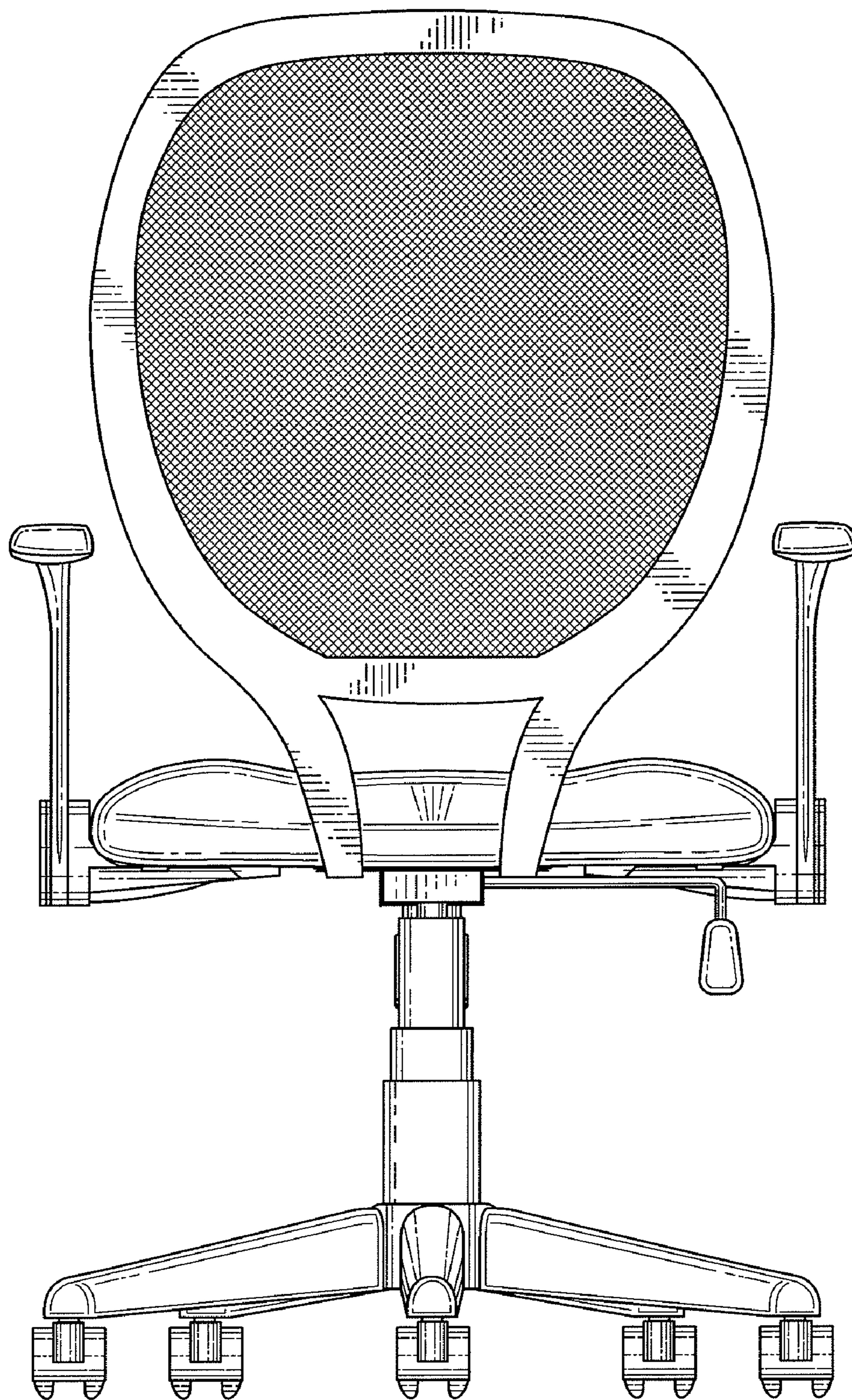


FIG. 3

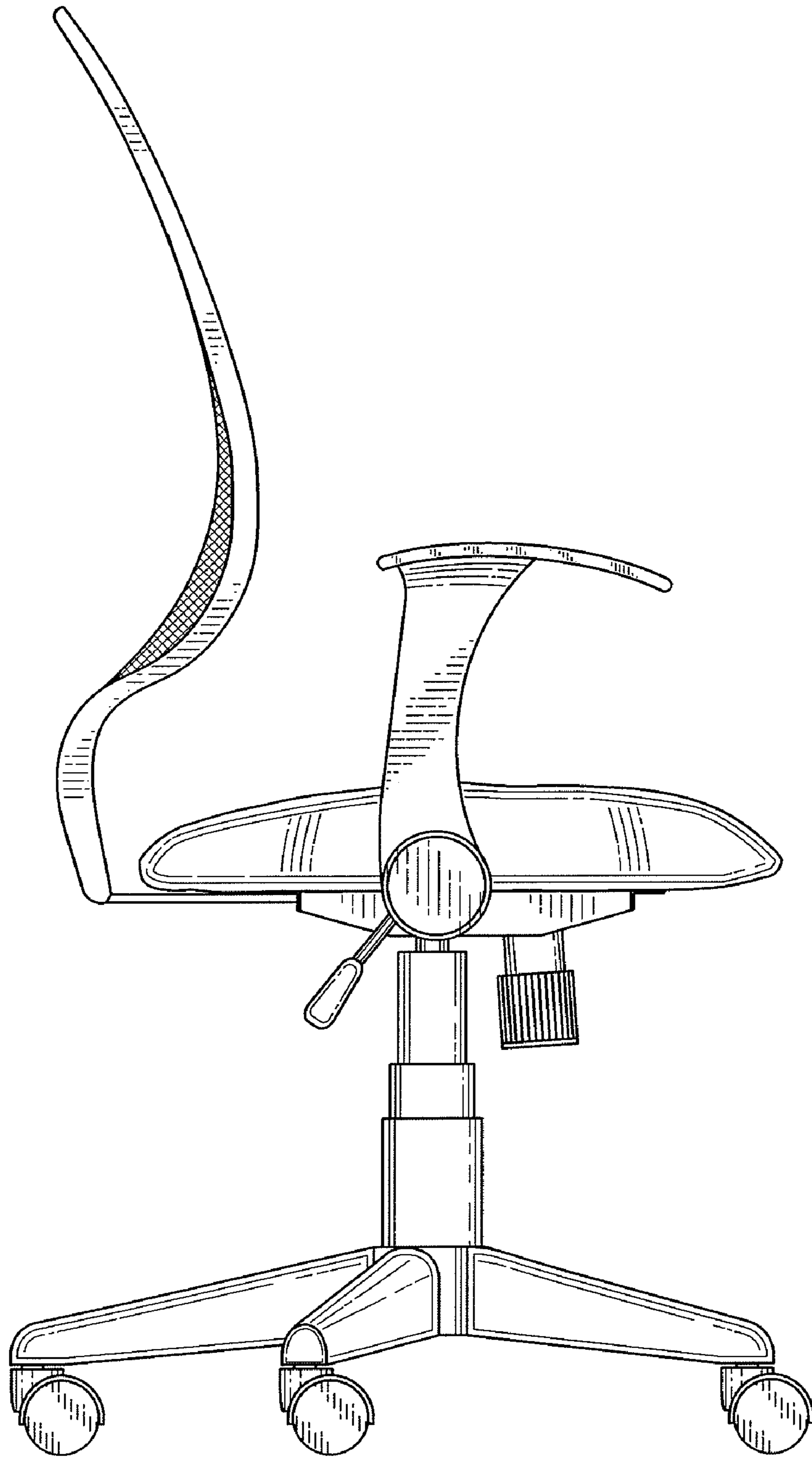


FIG. 4

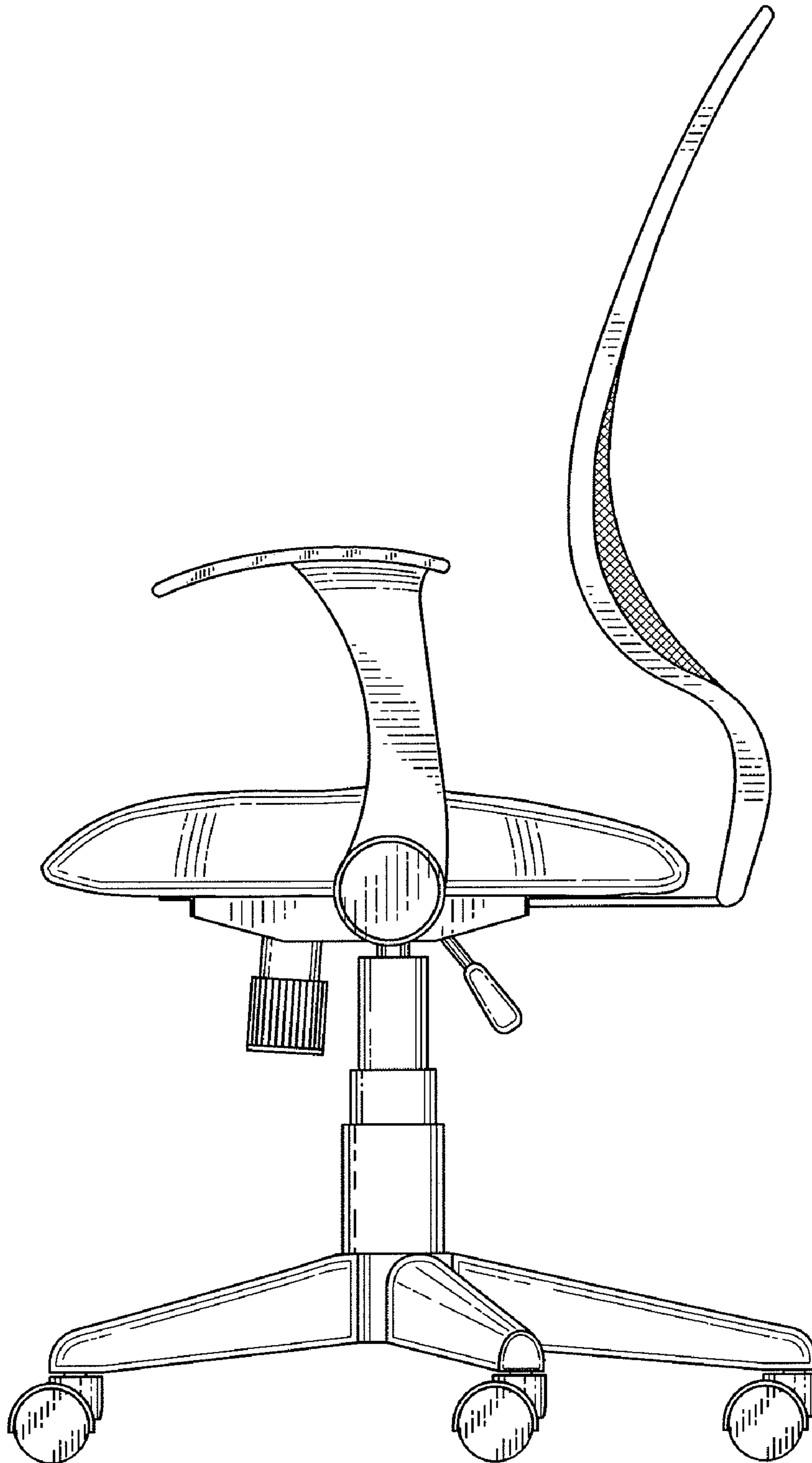


FIG. 5

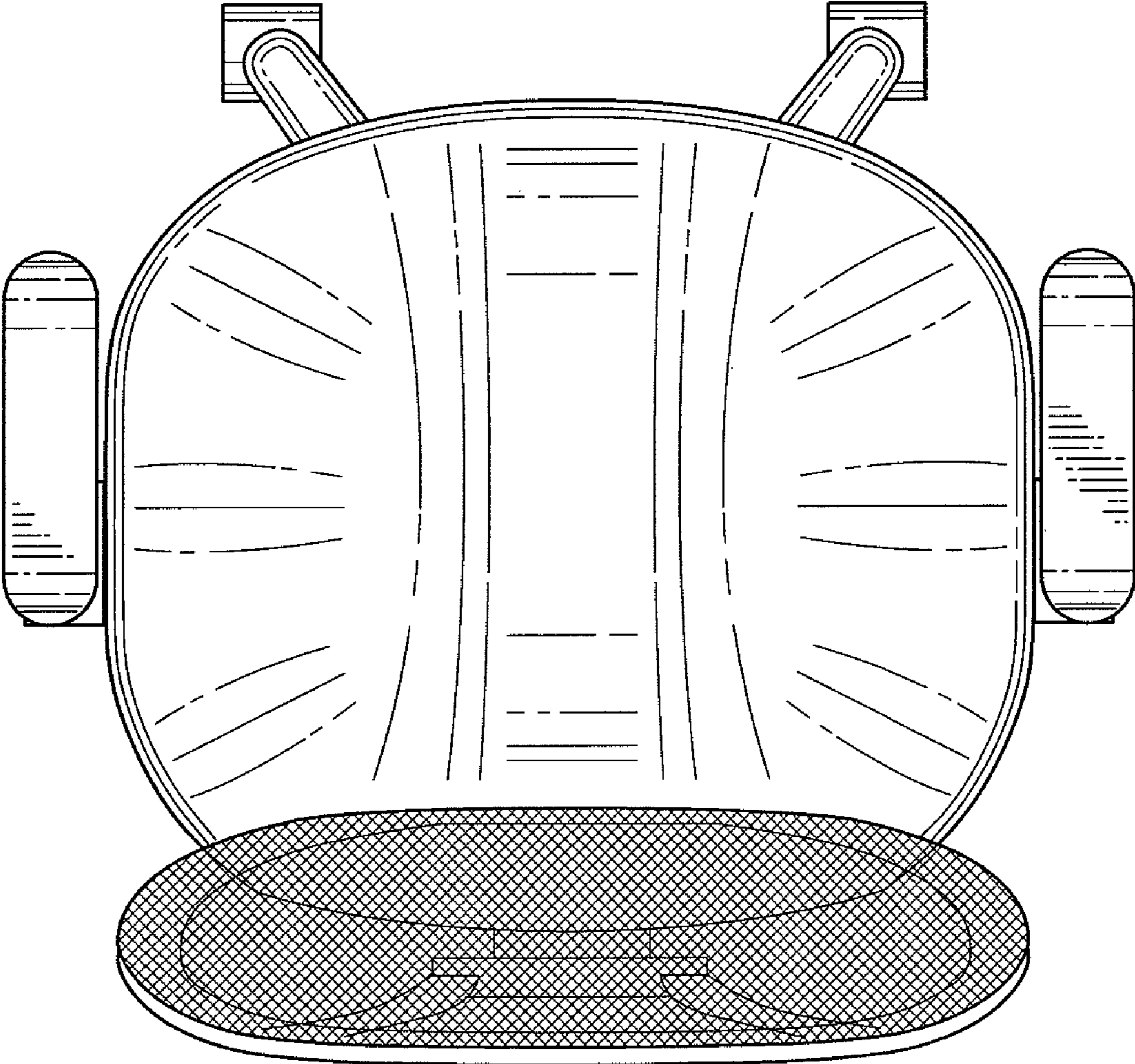


FIG. 6



FIG. 7