



US00D675455S

(12) **United States Design Patent**  
**Bentley**

(10) **Patent No.:** **US D675,455 S**

(45) **Date of Patent:** **\*\* Feb. 5, 2013**

(54) **TREE STAND EXTENSION**

(76) Inventor: **Lyle Bentley**, Lennon, MI (US)

(\*\*) Term: **14 Years**

(21) Appl. No.: **29/414,973**

(22) Filed: **Mar. 6, 2012**

(51) **LOC (9) Cl.** ..... **06-01**

(52) **U.S. Cl.** ..... **D6/362**

(58) **Field of Classification Search** ..... D6/334–336,  
D6/362, 367, 368, 374, 375, 379, 380, 500–502;  
297/4, 16.1, 130, 183.5, 255, 331, 352; 108/152;  
182/116, 133–136, 187, 188

See application file for complete search history.

(56) **References Cited**

U.S. PATENT DOCUMENTS

4,369,858	A *	1/1983	Babb	.....	182/187
4,458,782	A *	7/1984	Meyer	.....	182/187
4,579,198	A	4/1986	Lee		
5,016,732	A *	5/1991	Dunn	.....	182/116
5,332,063	A *	7/1994	Amacker	.....	182/116
5,791,436	A	8/1998	Talley, Sr.		
6,830,128	B2 *	12/2004	Burgeson	.....	182/116
6,988,588	B2 *	1/2006	Prejean	.....	182/136
7,021,423	B1 *	4/2006	Pestrué et al.	.....	182/116

7,370,728	B1 *	5/2008	Mann	.....	182/187
D599,124	S *	9/2009	Cross	.....	D6/362
D617,107	S *	6/2010	Thuente et al.	.....	D6/362
7,849,964	B2 *	12/2010	Amacker et al.	.....	182/136

\* cited by examiner

*Primary Examiner* — Mimosá De

(57) **CLAIM**

The ornamental design for a tree stand extension, as shown and described.

**DESCRIPTION**

FIG. 1 is a right elevation view of a tree stand extension showing my new design, the opposite side being a mirror image of the shown;

FIG. 2 is a front elevation view thereof;

FIG. 3 is a rear elevation view thereof;

FIG. 4 is a top plan view thereof;

FIG. 5 is a bottom plan view thereof; and,

FIG. 6 is an isometric view thereof in a used condition.

The broken lines in FIG. 6 of the drawings depict a tree stand as environmental subject matter only and form no part of the claimed design.

The FIGS. 4 and 5 shown without the side bars for ease of illustration.

**1 Claim, 5 Drawing Sheets**

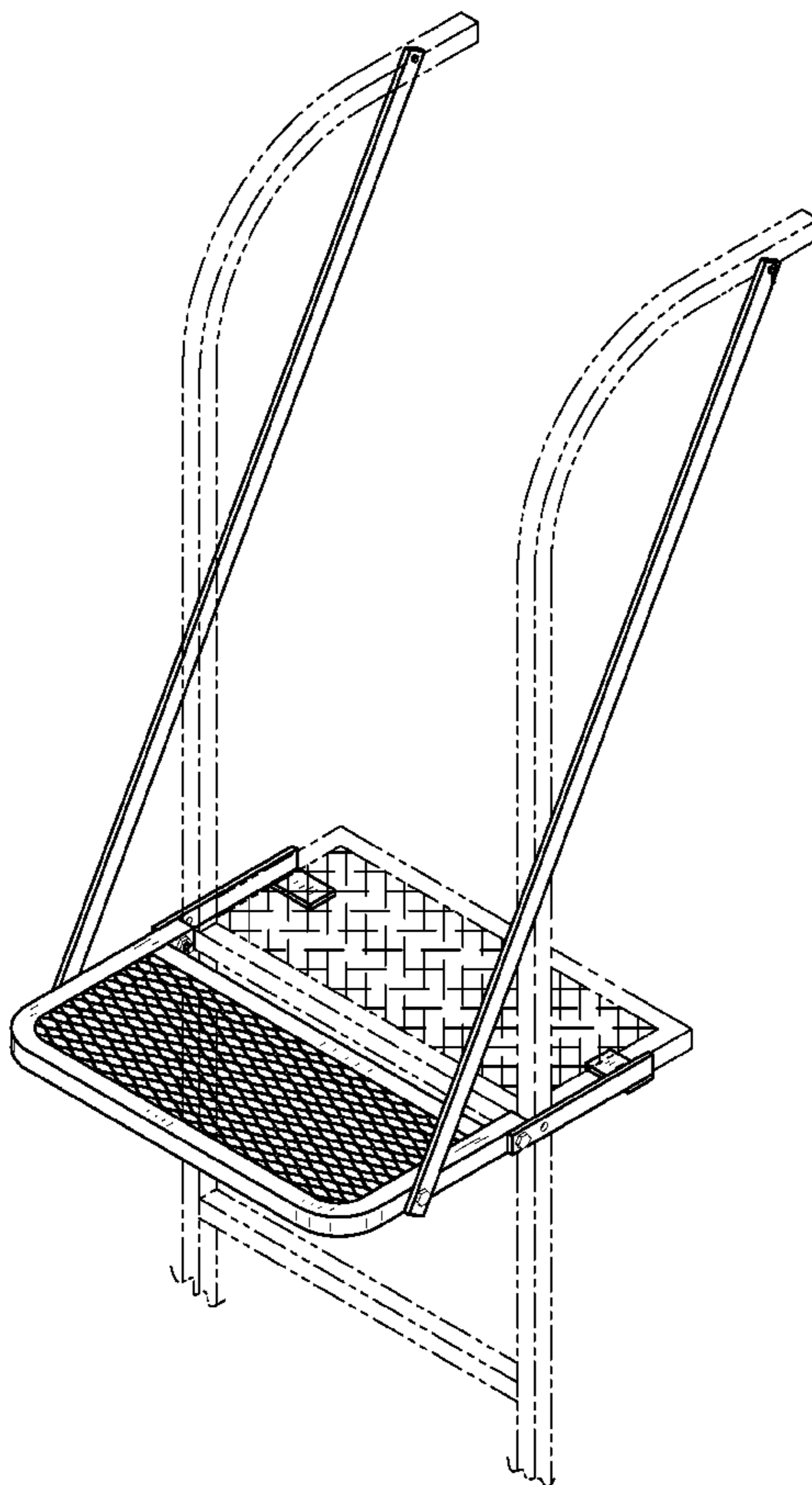
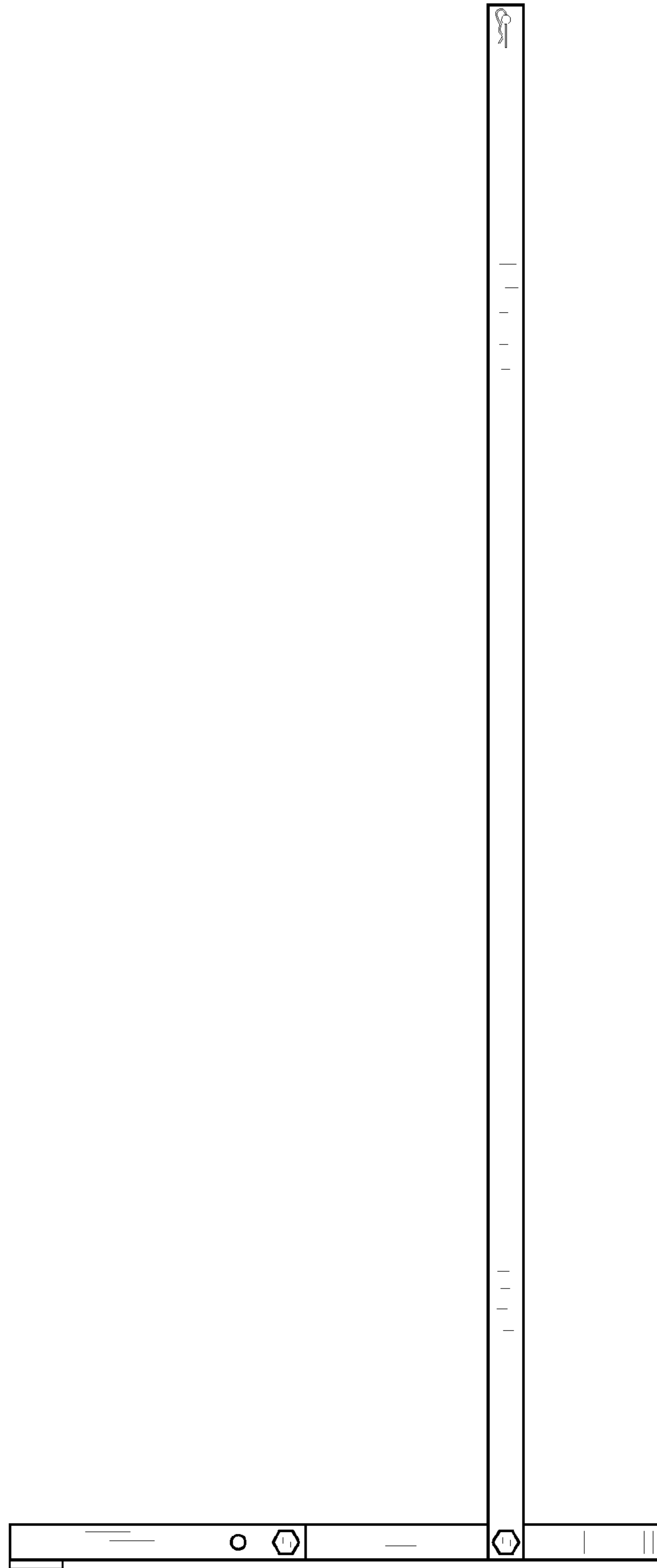


FIG. 1



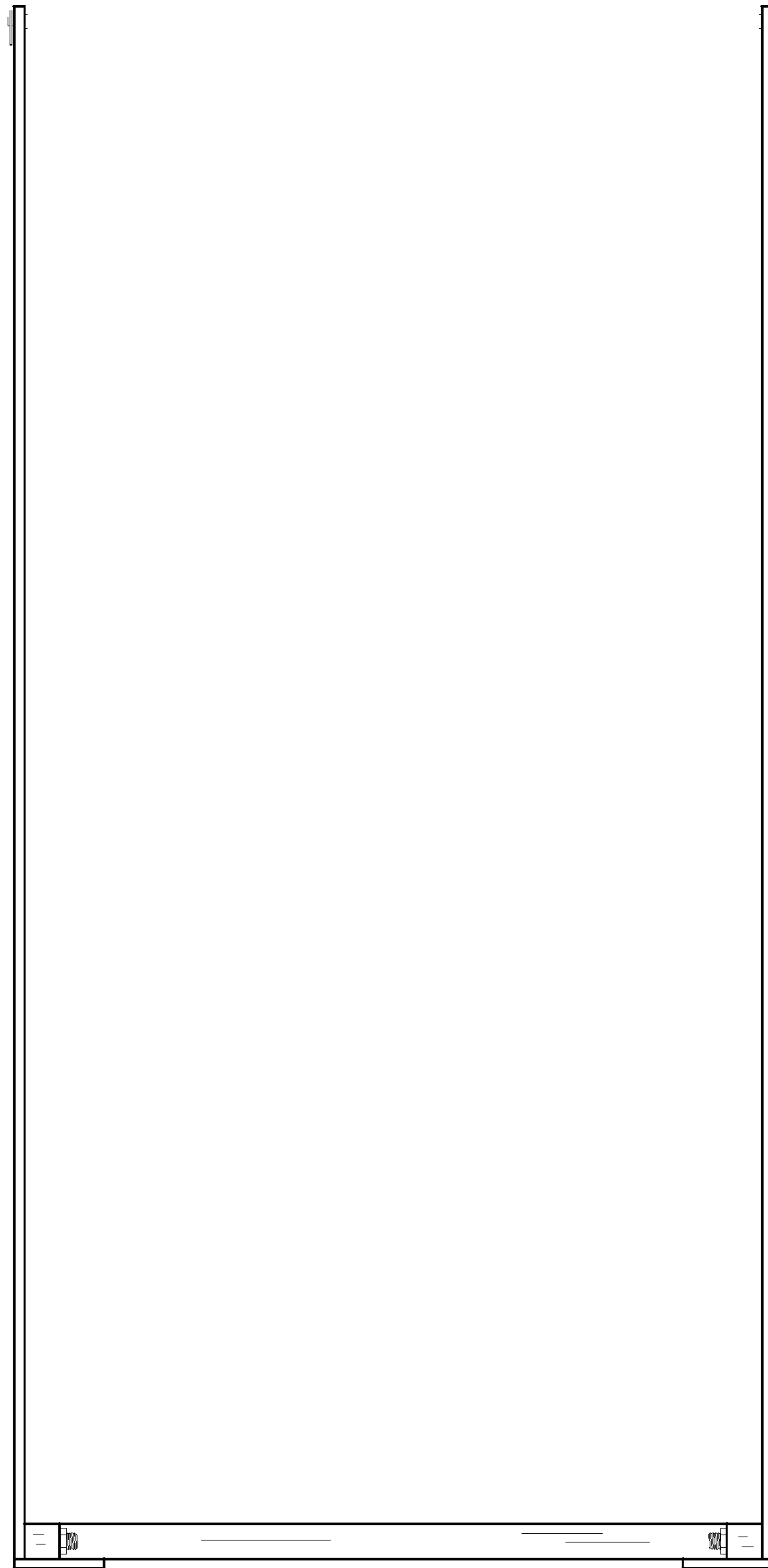


FIG. 2

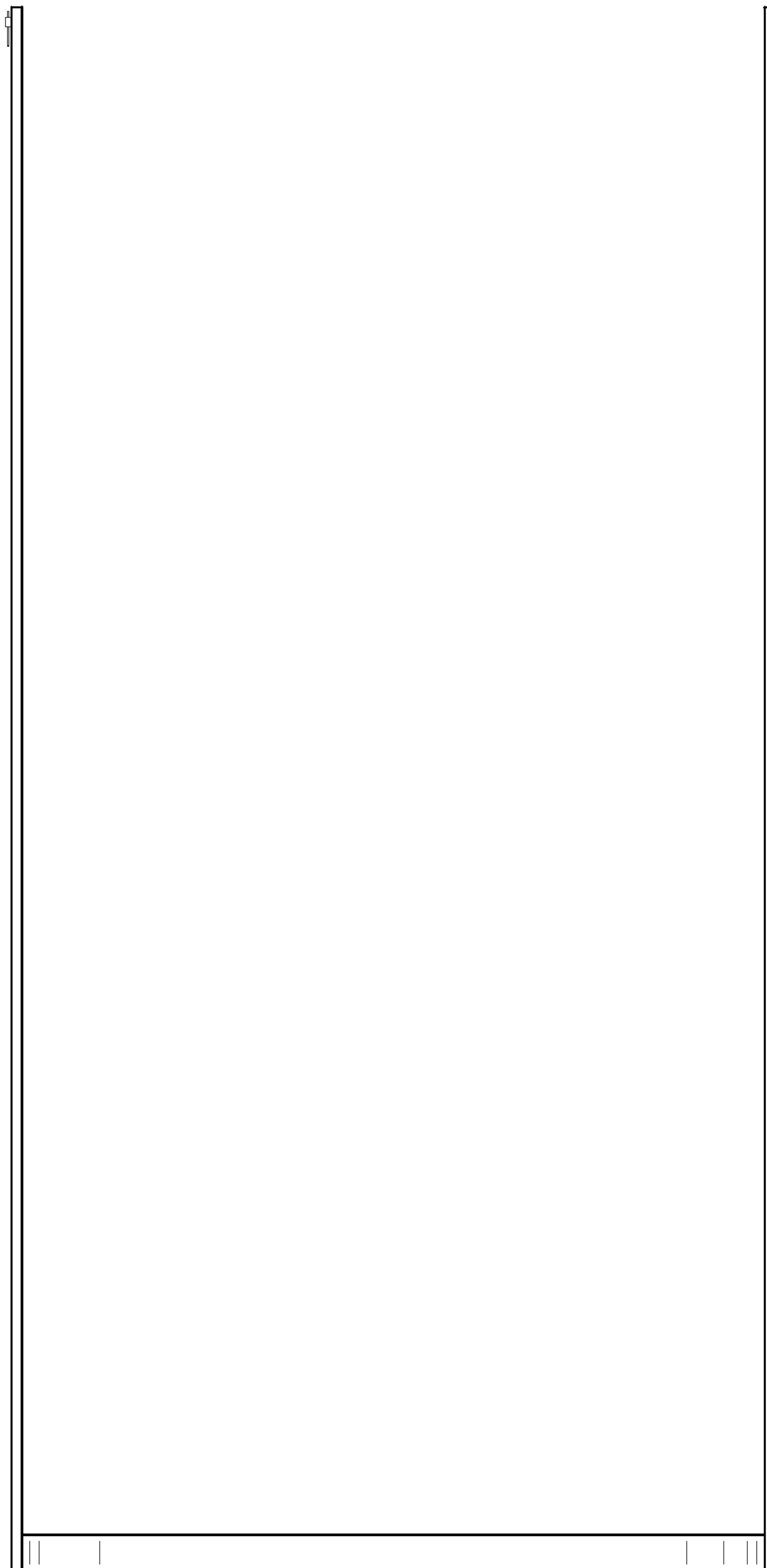


FIG. 3

FIG. 4

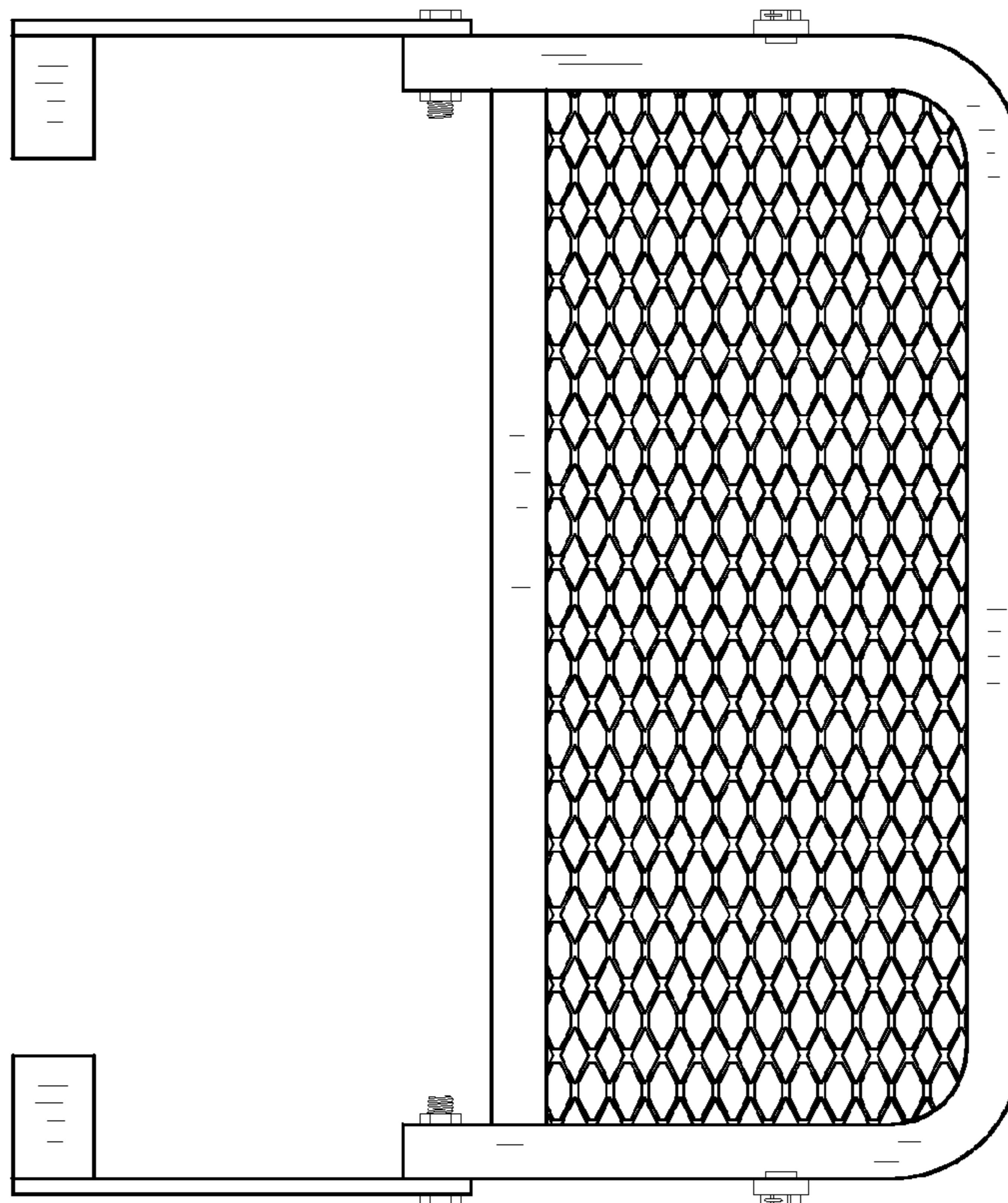
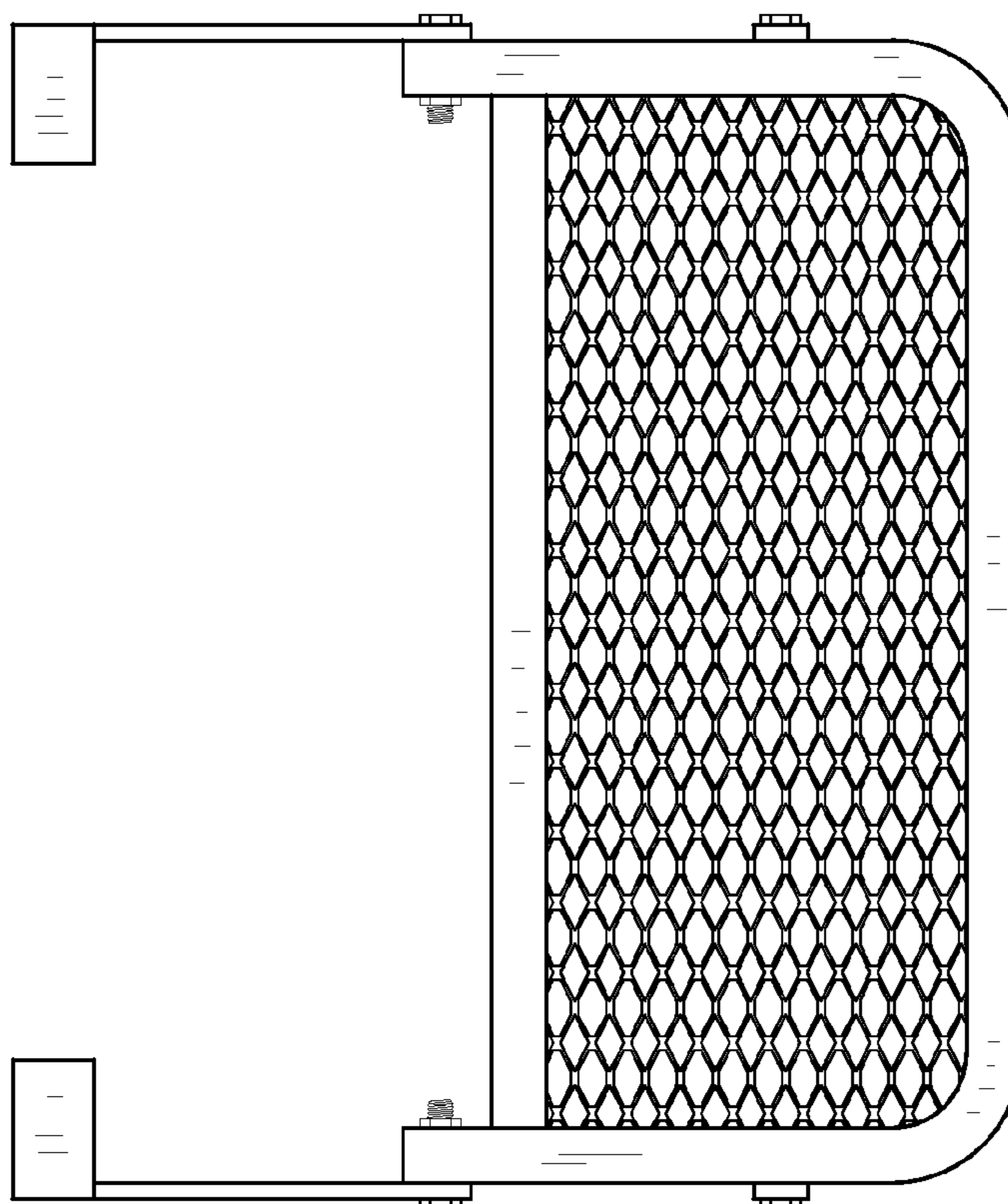


FIG. 5



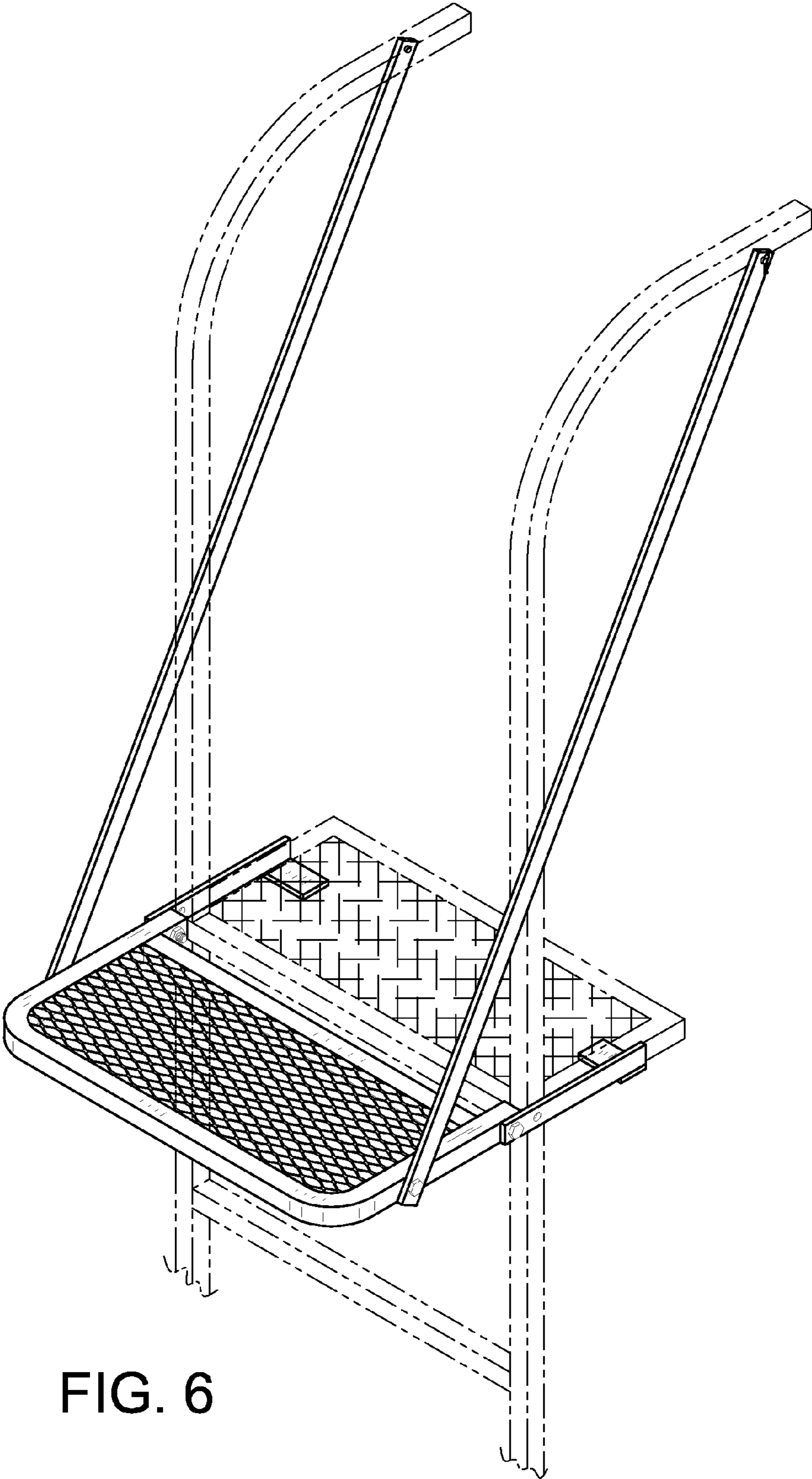


FIG. 6