



US00D675452S

(12) **United States Design Patent**  
**Bellin**

(10) **Patent No.:** **US D675,452 S**

(45) **Date of Patent:** **\*\* Feb. 5, 2013**

(54) **ARMCHAIR**

(75) **Inventor:** **Sergio Bellin, Vo' (IT)**

(73) **Assignee:** **Sitland S.p.A., Nanto (IT)**

(\*\*) **Term:** **14 Years**

(21) **Appl. No.:** **29/423,009**

(22) **Filed:** **May 25, 2012**

(30) **Foreign Application Priority Data**

Jan. 26, 2012 (EM) ..... 001981754-0002

(51) **LOC (9) Cl.** ..... **06-01**

(52) **U.S. Cl.** ..... **D6/334**

(58) **Field of Classification Search** ..... D6/334-338,  
D6/349, 355, 361, 368-370, 376, 379-381,  
D6/492, 500-502; 297/16.1, 42, 94, 135,  
297/175, 232, 233, 350, 351, 445.1, 448.1,  
297/448.2, 451.9; 5/12.1, 12.2

See application file for complete search history.

(56) **References Cited**

**U.S. PATENT DOCUMENTS**

D249,849 S \* 10/1978 Schoeller ..... D6/334  
4,188,066 A \* 2/1980 Terenzoni ..... 297/440.23  
D263,770 S \* 4/1982 Melchior ..... D6/334  
D283,562 S \* 4/1986 Raftery ..... D6/334

D288,748 S \* 3/1987 Klein ..... D6/375  
D292,145 S \* 10/1987 Zapf ..... D6/334  
D318,183 S \* 7/1991 Fister, Jr. .... D6/334  
D342,837 S \* 1/1994 Forcolini ..... D6/334  
D378,028 S \* 2/1997 Schefcik ..... D6/334  
D425,711 S \* 5/2000 Desombre ..... D6/334  
D466,312 S \* 12/2002 Hutton ..... D6/334  
D473,723 S \* 4/2003 Pessa ..... D6/334  
D489,188 S \* 5/2004 Ricci ..... D6/334  
D501,330 S \* 2/2005 Gomez ..... D6/334  
D538,054 S \* 3/2007 Lissoni ..... D6/334  
D562,582 S \* 2/2008 Hackethal et al. .... D6/381  
D661,118 S \* 6/2012 Massaud ..... D6/374  
2002/0000741 A1\* 1/2002 Clay et al. .... 297/118

\* cited by examiner

*Primary Examiner* — Sandra Snapp

(74) *Attorney, Agent, or Firm* — Themis Law

(57) **CLAIM**

The ornamental design for an armchair, as shown.

**DESCRIPTION**

FIG. 1 is a front perspective view of an armchair showing my new design;

FIG. 2 is a front elevational view thereof;

FIG. 3 is a rear elevational view thereof;

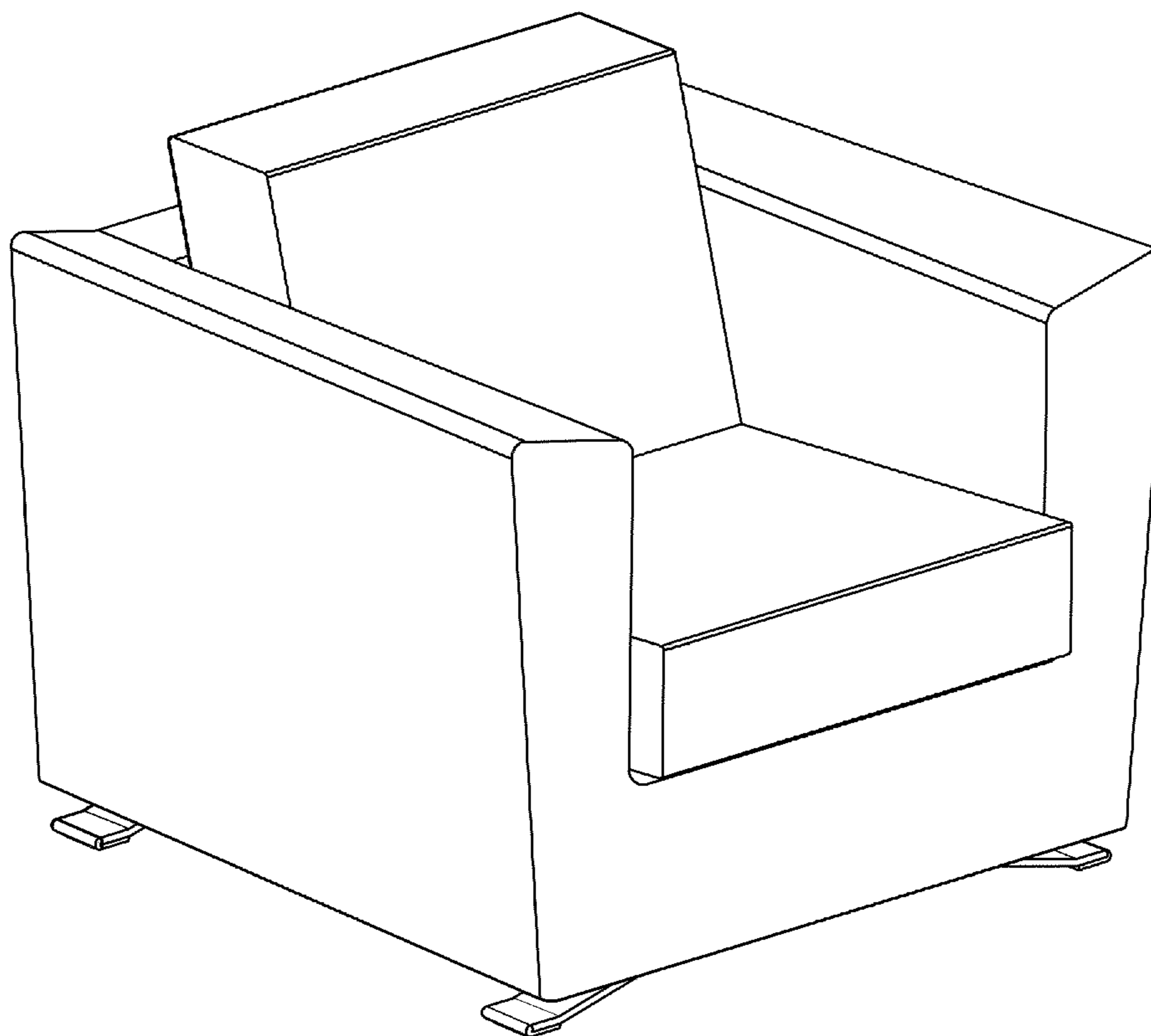
FIG. 4 is a left side elevational view thereof;

FIG. 5 is a right side elevational view thereof;

FIG. 6 is a top plan view thereof; and,

FIG. 7 is a bottom plan view thereof.

**1 Claim, 7 Drawing Sheets**



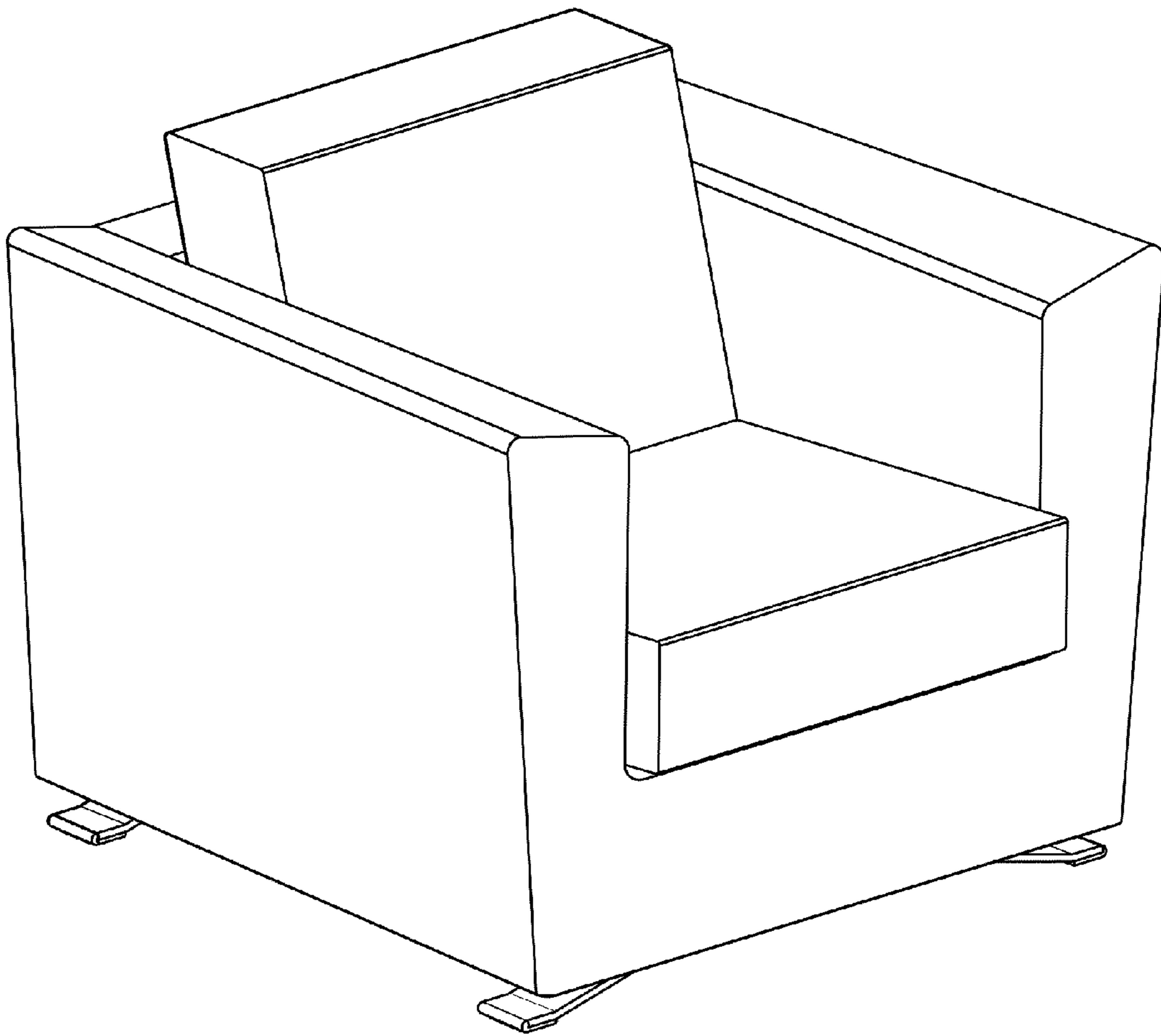


FIG. 1

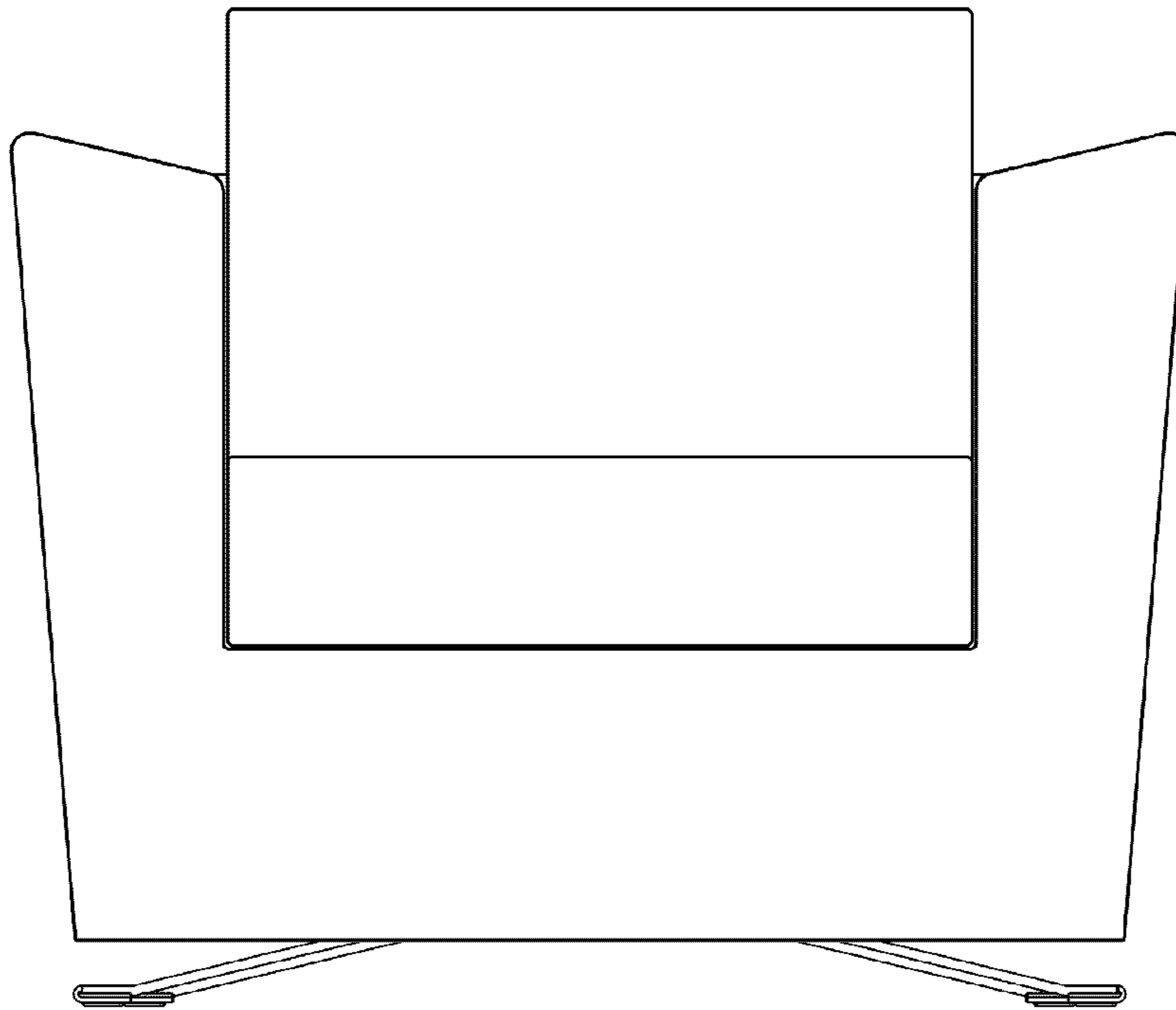


FIG. 2

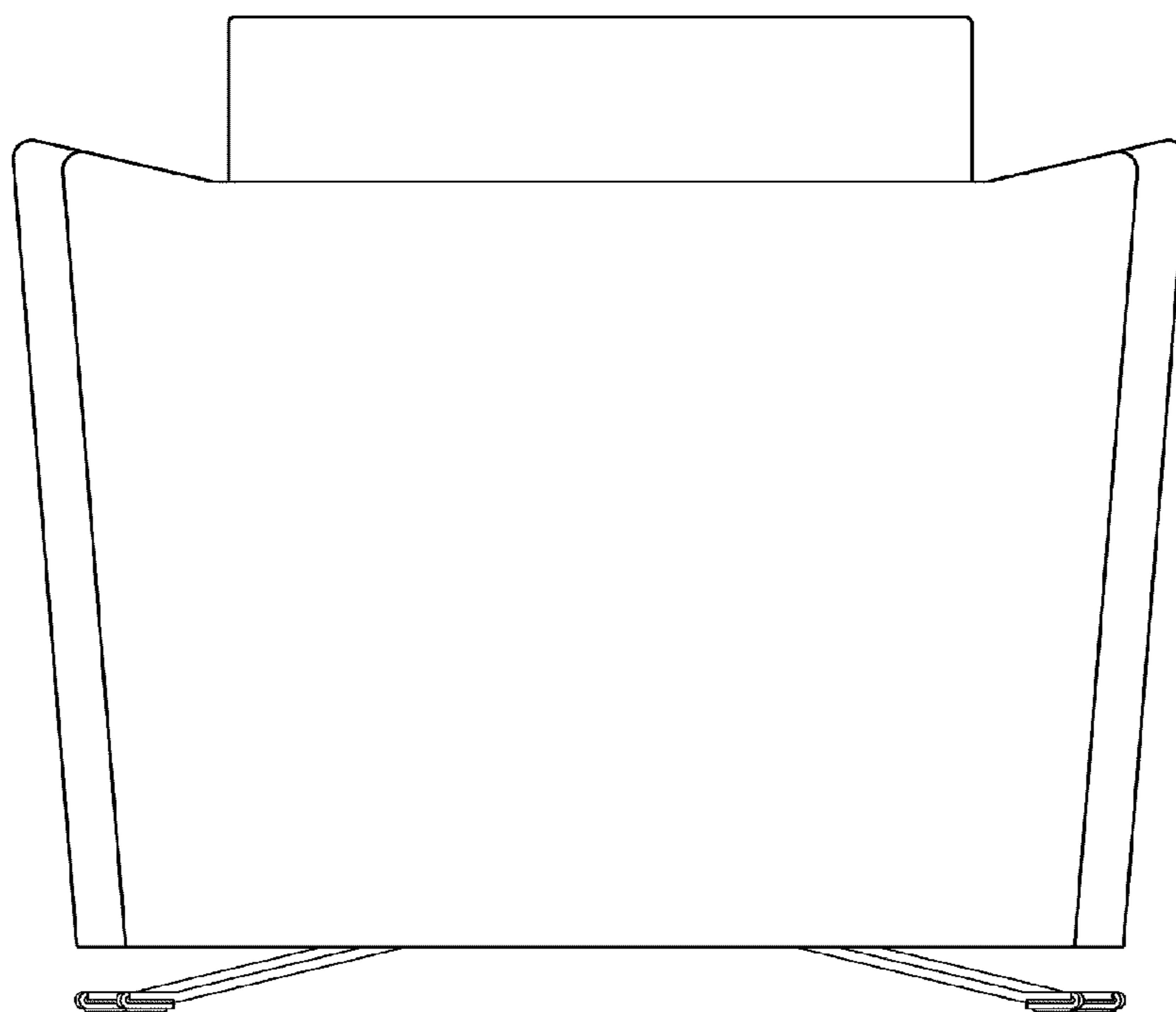


FIG. 3

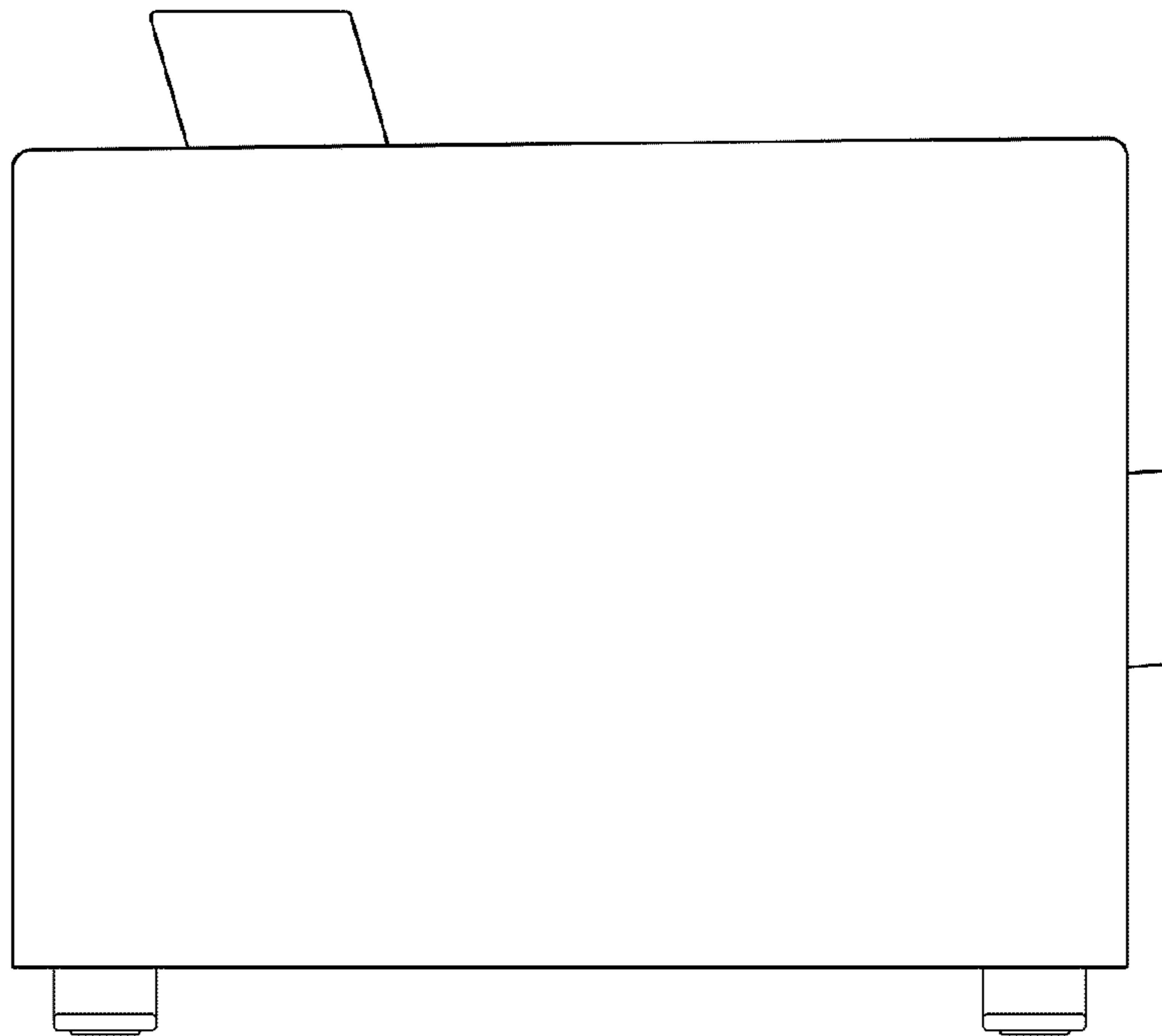


FIG. 4

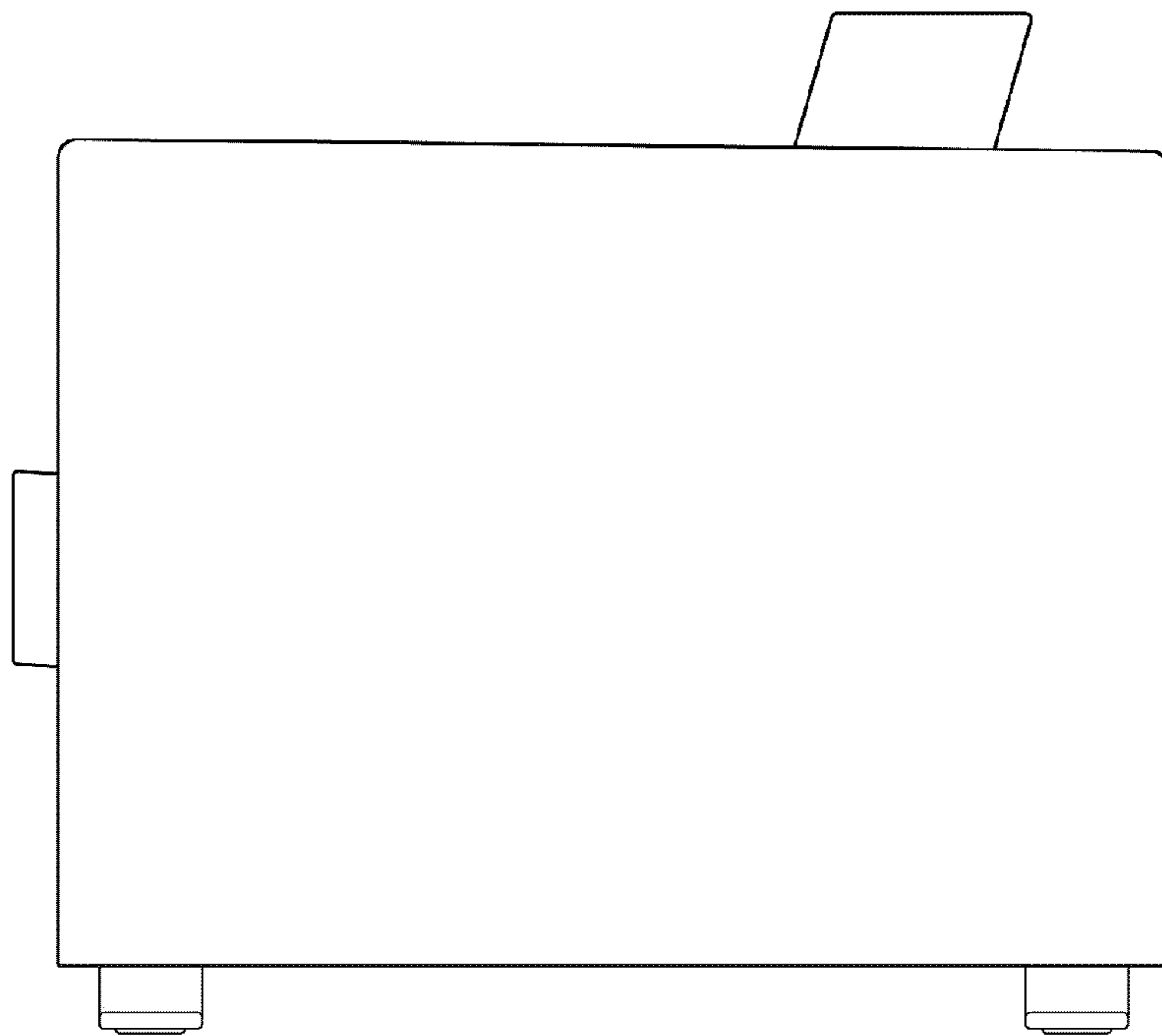


FIG. 5

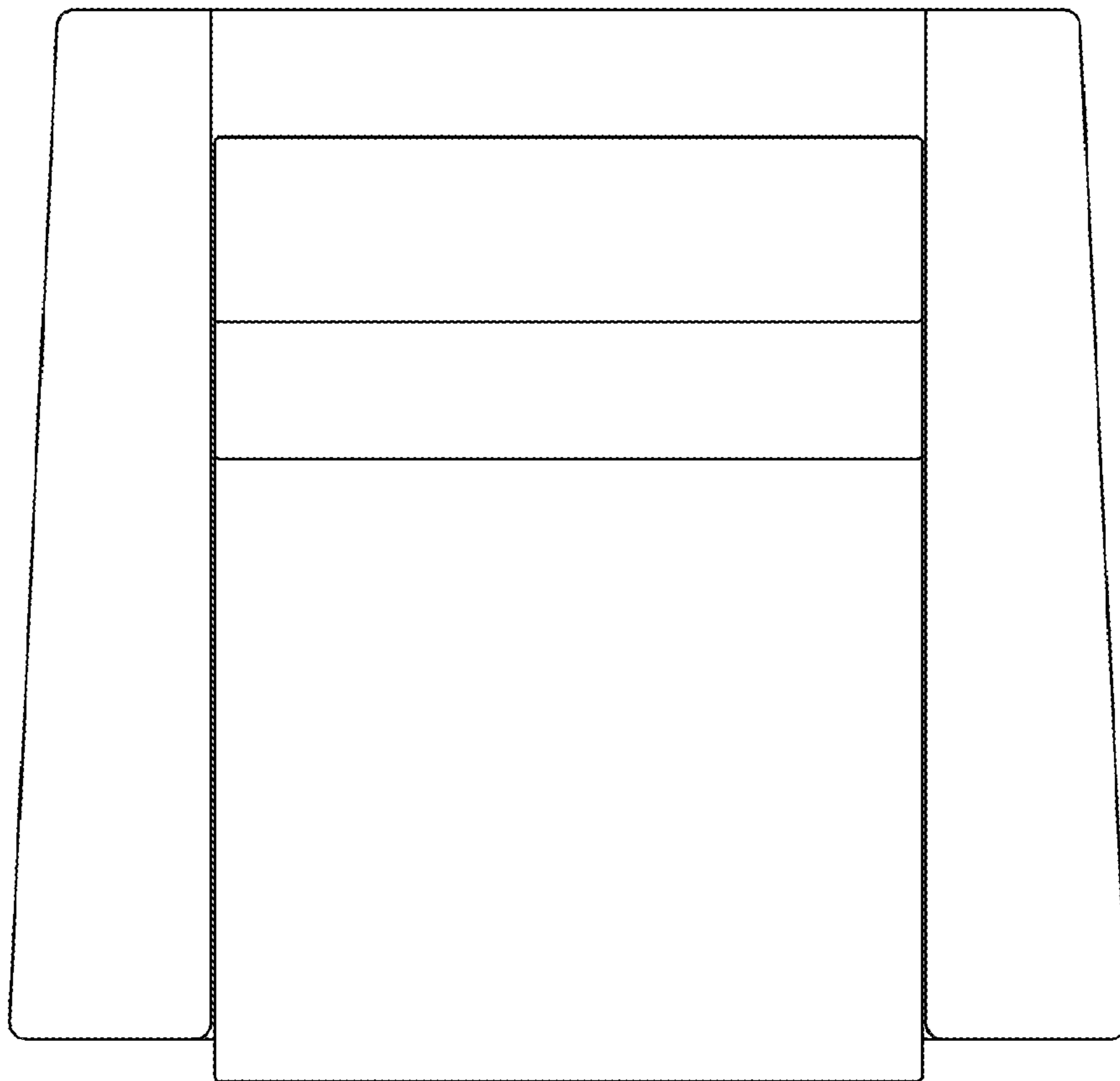


FIG. 6

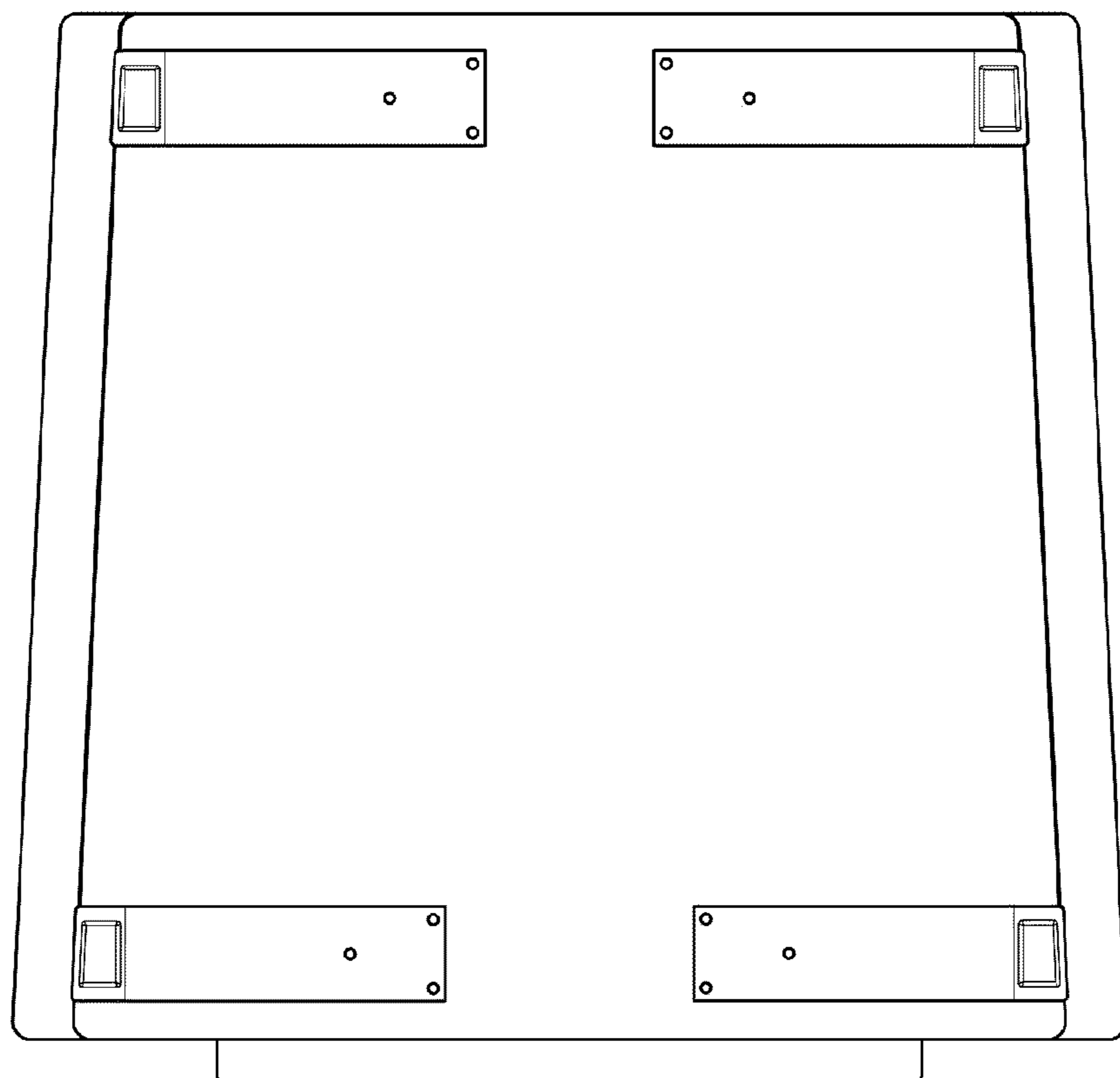


FIG. 7