



(12) **United States Design Patent**
Holloway et al.

(10) **Patent No.:** **US D675,444 S**
(45) **Date of Patent:** **** Feb. 5, 2013**

(54) **HANDBAG (GWEN)**

(75) Inventors: **Simon Holloway**, London (GB); **Nicolas Baurain**, London (GB)

(73) Assignee: **J. Choo Limited**, London (GB)

(**) Term: **14 Years**

(21) Appl. No.: **29/395,159**

(22) Filed: **Dec. 7, 2011**

(30) **Foreign Application Priority Data**

Jun. 9, 2011 (EM) 001876061-0004

(51) **LOC (9) Cl.** **03-01**

(52) **U.S. Cl.** **D3/318**

(58) **Field of Classification Search** D3/232-233,
D3/240-246, 318, 324; 150/100, 103-110,
150/113-114, 117-119

See application file for complete search history.

(56) **References Cited**

U.S. PATENT DOCUMENTS

D154,494 S 7/1949 Kaufman
D635,357 S * 4/2011 Guyon et al. D3/243
D635,358 S * 4/2011 Guyon et al. D3/243

OTHER PUBLICATIONS

J. Choo Limited—Zoe Handbag, inventor is Alvaro Gonzalez, printed from www.embelezia.com on Apr. 20, 2012.

* cited by examiner

Primary Examiner — Holly Baynham

(74) *Attorney, Agent, or Firm* — Fross Zelnick Lehrman & Zissu, P.C.; Lawrence E. Apolzon, Esq.

(57) **CLAIM**

The ornamental design for a handbag (gwen), as shown and described.

DESCRIPTION

FIG. 1 is a front perspective view of the handbag shown in FIG. 1;

FIG. 2 is a front view of the handbag shown in FIG. 1;

FIG. 3 is a rear view of the handbag shown in FIG. 1;

FIG. 4 is a left side view of the handbag shown in FIG. 1;

FIG. 5 is a right side view of the handbag shown in FIG. 1;

FIG. 6 is a top view of the handbag shown in FIG. 1; and,

FIG. 7 is a bottom view of the handbag shown in FIG. 1.

The broken lines showing portions of the handbag are for the purposes of illustrating environment and forms no part of the claimed design.

1 Claim, 5 Drawing Sheets





FIG. 1

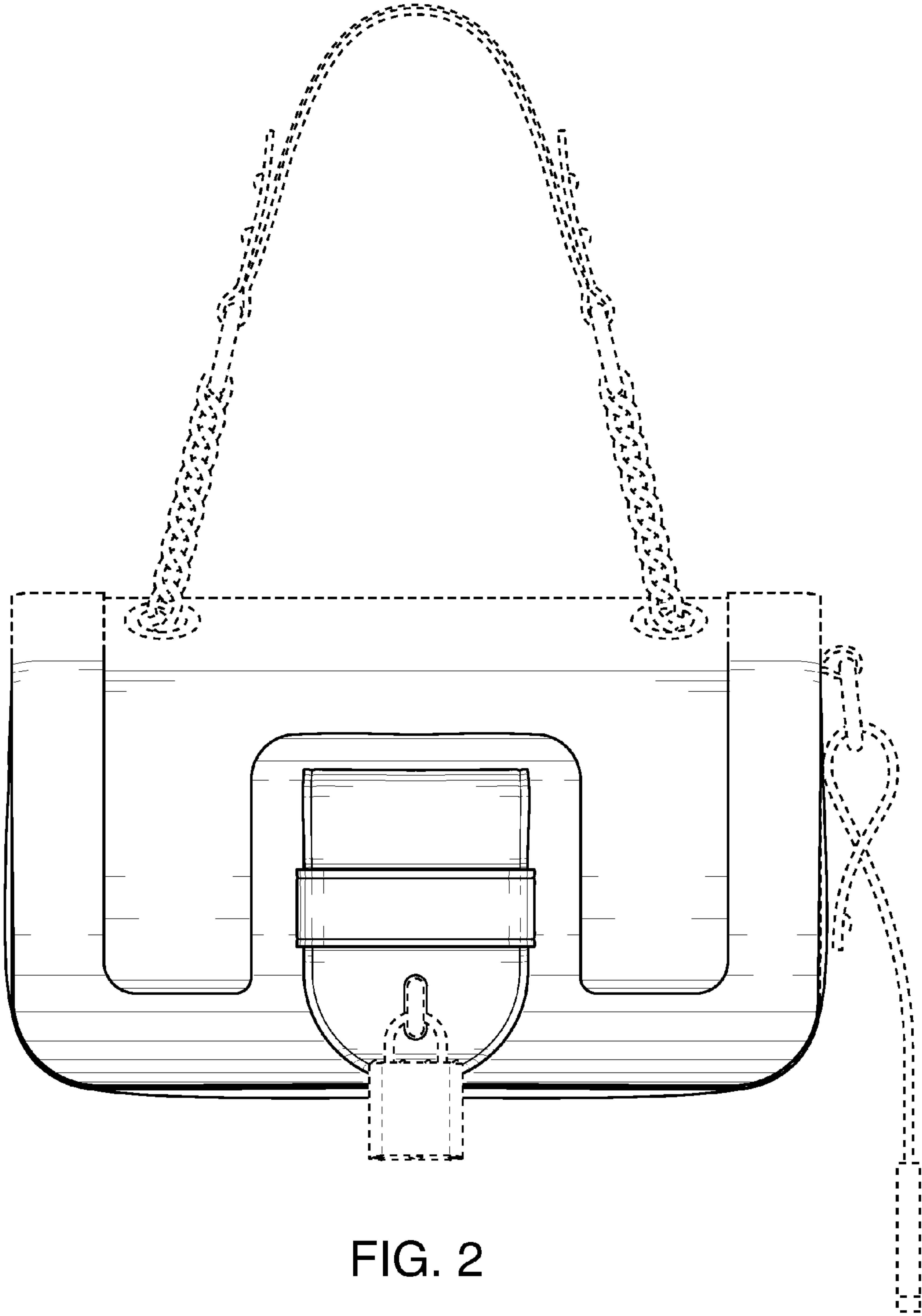


FIG. 2



FIG. 3

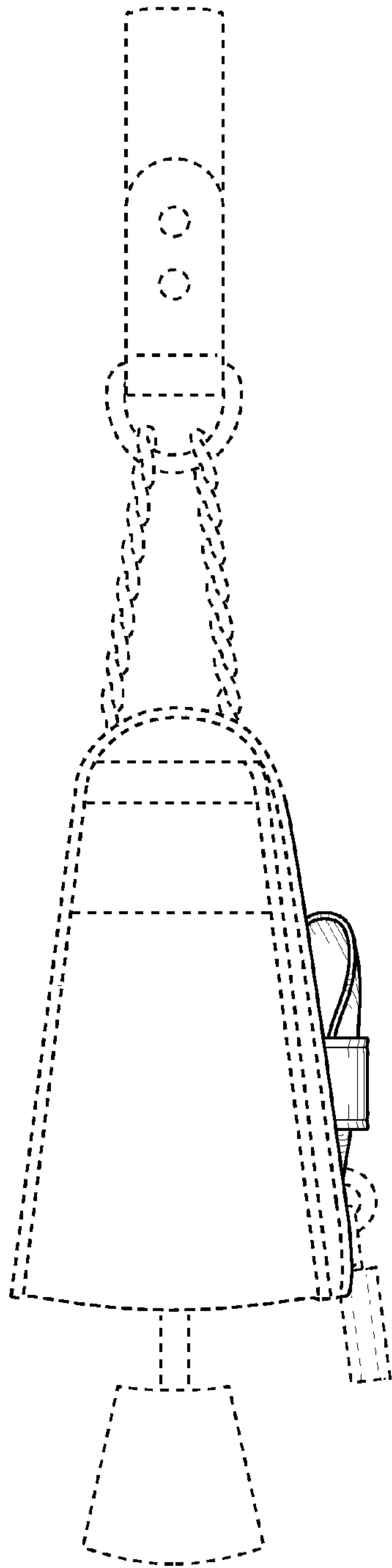


FIG. 4

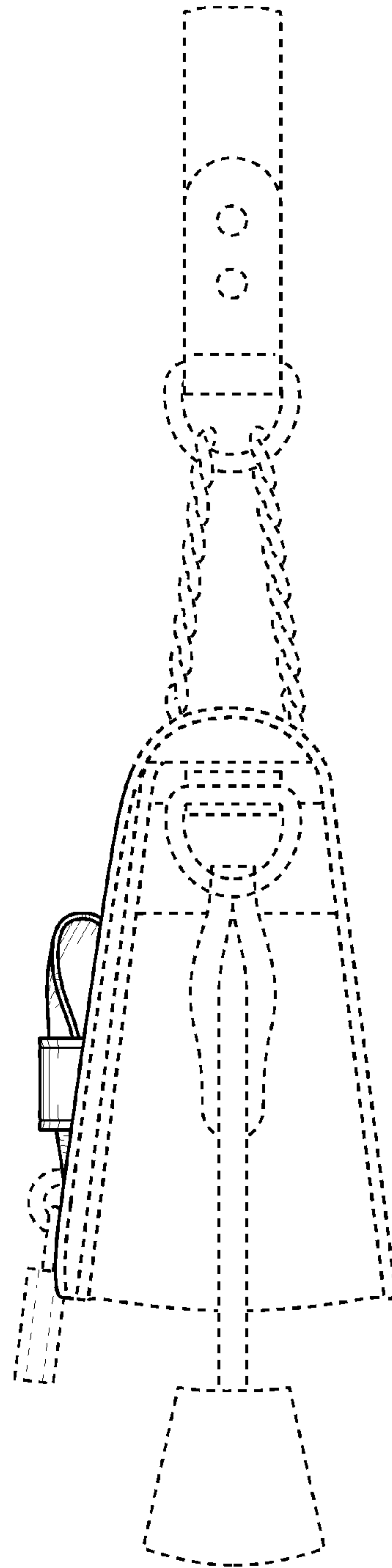


FIG. 5

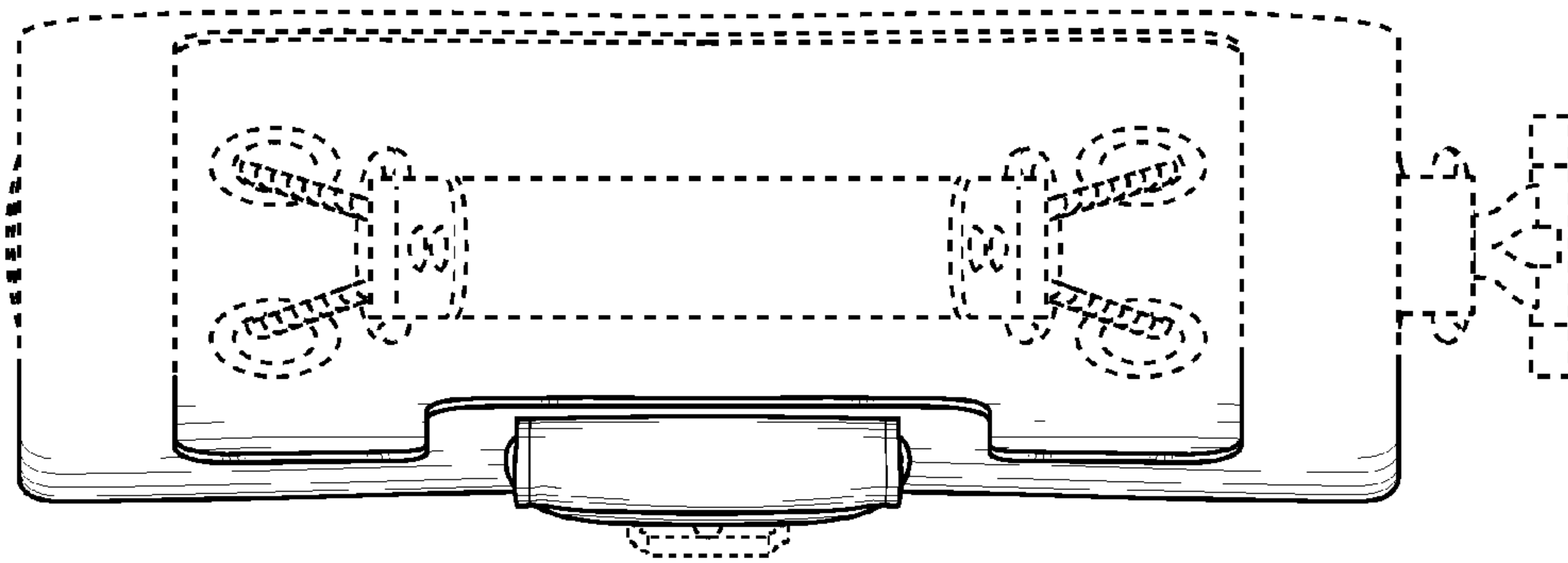


FIG. 6

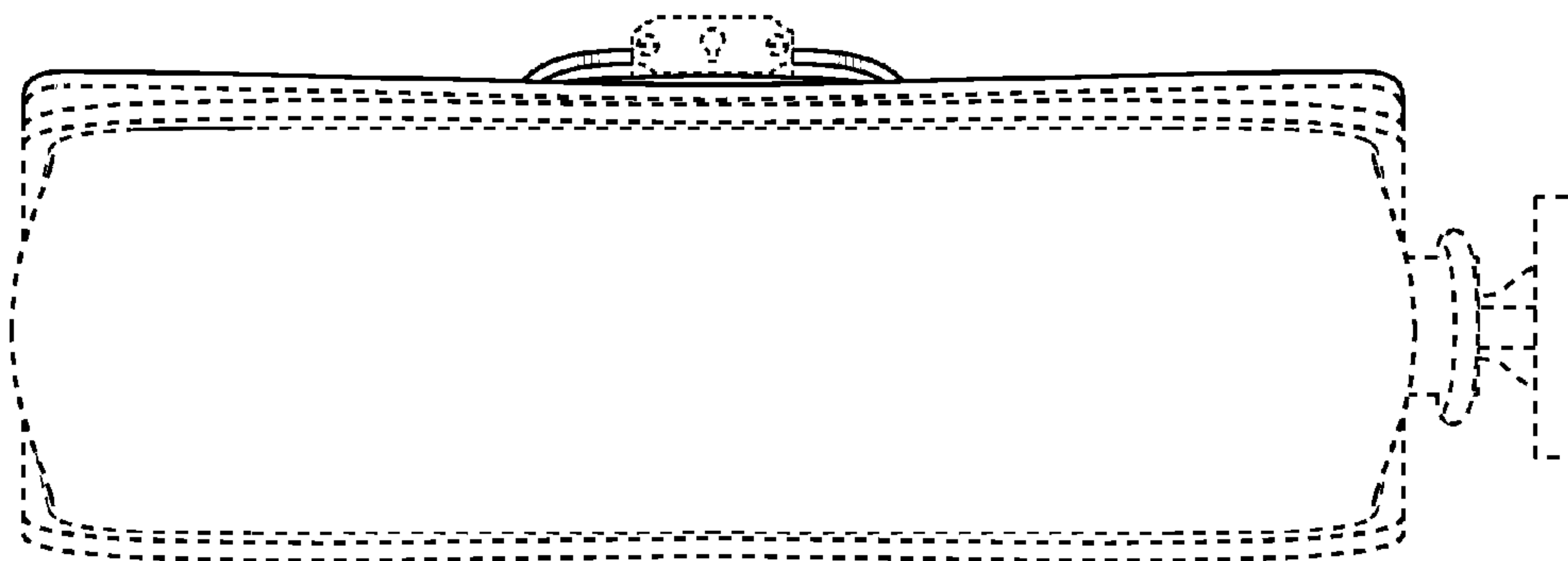


FIG. 7