



US00D675439S

(12) **United States Design Patent**
Laperriere et al.

(10) **Patent No.:** **US D675,439 S**
(45) **Date of Patent:** **** Feb. 5, 2013**

(54) **STORAGE CONTAINER FOR ELECTRICAL COMPONENTS**

(75) Inventors: **Sarah Laperriere**, Hampstead, NH (US); **Michael Rzasa**, Nashua, NH (US); **Armand Montminy**, Hooksett, NH (US); **Rodd R. Ruland**, Amherst, NH (US)

(73) Assignee: **Hubbell Incorporated**, Shelton, CT (US)

(**) Term: **14 Years**

(21) Appl. No.: **29/392,904**

(22) Filed: **May 27, 2011**

(51) **LOC (9) Cl.** **03-01**

(52) **U.S. Cl.** **D3/302**

(58) **Field of Classification Search** D3/300, D3/302, 282, 201, 203.2, 203.5, 206, 269, D3/273, 293, 905, 247-250, 261, 231, 327, D3/318, 214, 216, 304; D7/612; D9/418, D9/707, 709; 206/216, 223, 372, 379, 549, 206/473, 39, 39.5, 776, 530-534, 540; 190/108-111
See application file for complete search history.

(56) **References Cited**

U.S. PATENT DOCUMENTS

1,184,881 A	5/1916	Schumacher	
2,069,048 A	1/1937	Rehberger	
D243,975 S *	4/1977	Persson	D3/300
D255,218 S *	6/1980	Krag	D3/203.2
D276,285 S *	11/1984	Tober et al.	D3/300
4,992,910 A	2/1991	Evans	
D332,967 S *	2/1993	Oglesby	D3/206
D351,728 S *	10/1994	Drever	D3/282
D357,584 S *	4/1995	Swingler	D3/300
5,464,110 A	11/1995	Heyworth	
5,749,486 A	5/1998	Porter	

(Continued)

Primary Examiner — Sheryl Lane

(74) *Attorney, Agent, or Firm* — Marcus R. Mickney; Mark S. Bicks; Alfred N. Goodman

(57) **CLAIM**

The ornamental design for a storage container for electrical components, as shown and described.

DESCRIPTION

U.S. patent application Ser. No. 13/117,342, which is filed concurrently herewith, discloses related subject matter and is hereby incorporated by reference in its entirety.

FIG. 1 is a front perspective view of a cap of a storage container in accordance with an exemplary embodiment of the present invention;

FIG. 2 is a top plan view of the cap of FIG. 1;

FIG. 3 is a side elevational view of the cap of FIG. 1;

FIG. 4 is a front elevational view of the cap of FIG. 1;

FIG. 5 is a bottom plan view of the cap of FIG. 1;

FIG. 6 is a side elevational view in cross section of the cap of FIG. 1;

FIG. 7 is a perspective view of a jar of a storage container in accordance with an exemplary embodiment of the present invention;

FIG. 8 is a top plan view of the jar of FIG. 7;

FIG. 9 is a side elevational view of the jar of FIG. 7;

FIG. 10 is a front elevational view of the jar of FIG. 7;

FIG. 11 is a bottom plan view of the jar of FIG. 7;

FIG. 12 is a side elevational view in cross section of the jar of FIG. 7;

FIG. 13 is a perspective view of the cap of FIG. 1 connected to the jar of FIG. 7 to form a storage container in accordance with an exemplary embodiment of the present invention;

FIG. 14 is a top plan view of the storage container of FIG. 13;

FIG. 15 is a side elevational view of the storage container of FIG. 13;

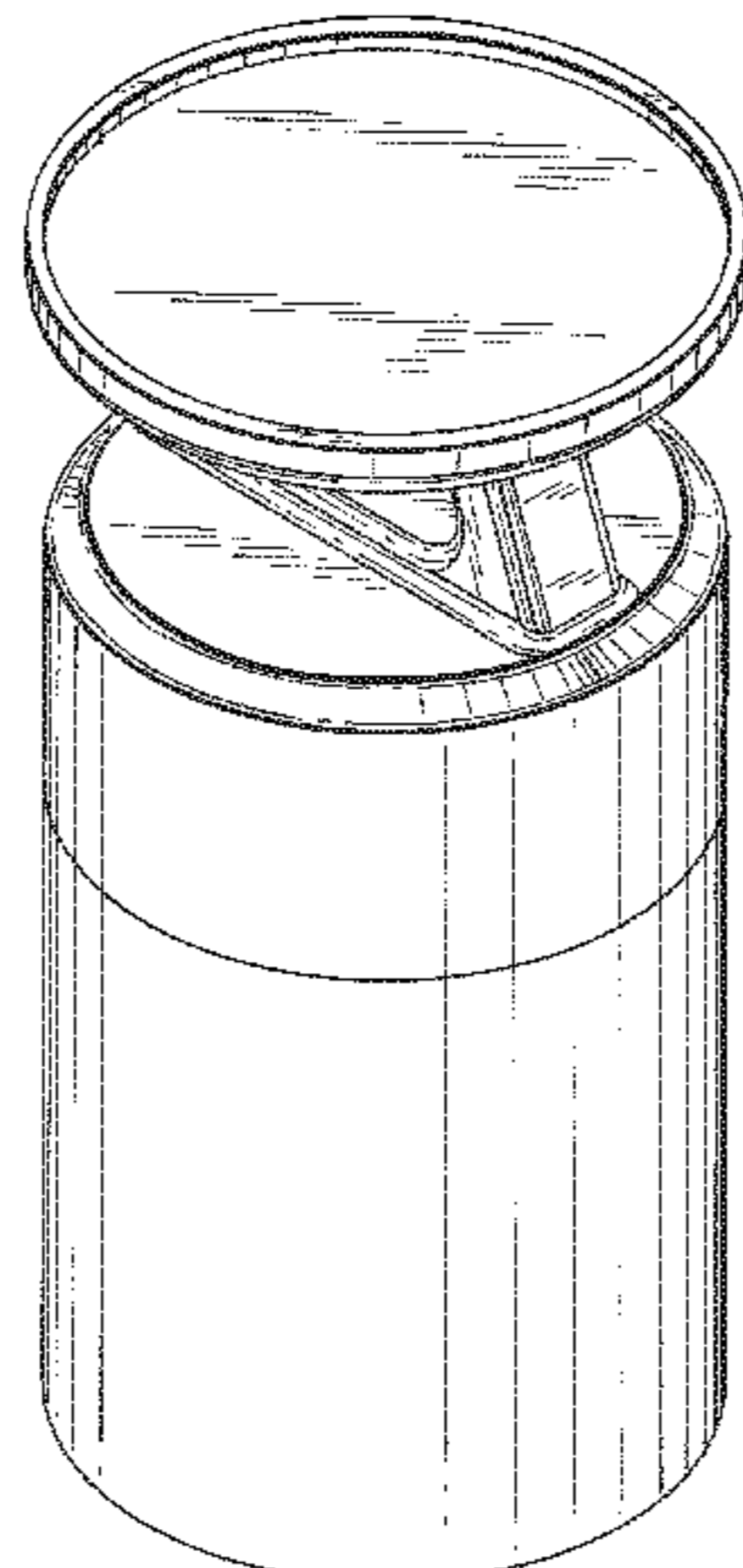
FIG. 16 is a front elevational view of the storage container of FIG. 13;

FIG. 17 is a bottom plan view of the storage container of FIG. 13;

FIG. 18 is a side elevational view in cross section of the storage container of FIG. 13; and,

FIG. 19 is a front perspective view of a cap in accordance with another exemplary embodiment of the present invention having an upper portion with a concave inner surface. All other features of the cap are substantially identical to the cap of FIGS. 1-6.

1 Claim, 9 Drawing Sheets



US D675,439 S

Page 2

U.S. PATENT DOCUMENTS

6,015,061	A	1/2000	Lowry				
6,145,685	A	11/2000	Dick				
D499,552	S	*	12/2004	Nissanoff et al.	D3/302	
D535,476	S	*	1/2007	Pennington	D3/271.1	
D554,865	S	*	11/2007	Roesler	D3/302	
D558,451	S	*	1/2008	Roesler	D3/302	
D558,978	S	*	1/2008	Roesler	D3/302	
7,318,574	B2		1/2008	Lee			
7,845,505	B2		12/2010	Hamamoto			
D643,694	S	*	8/2011	Lu	D7/629	

* cited by examiner

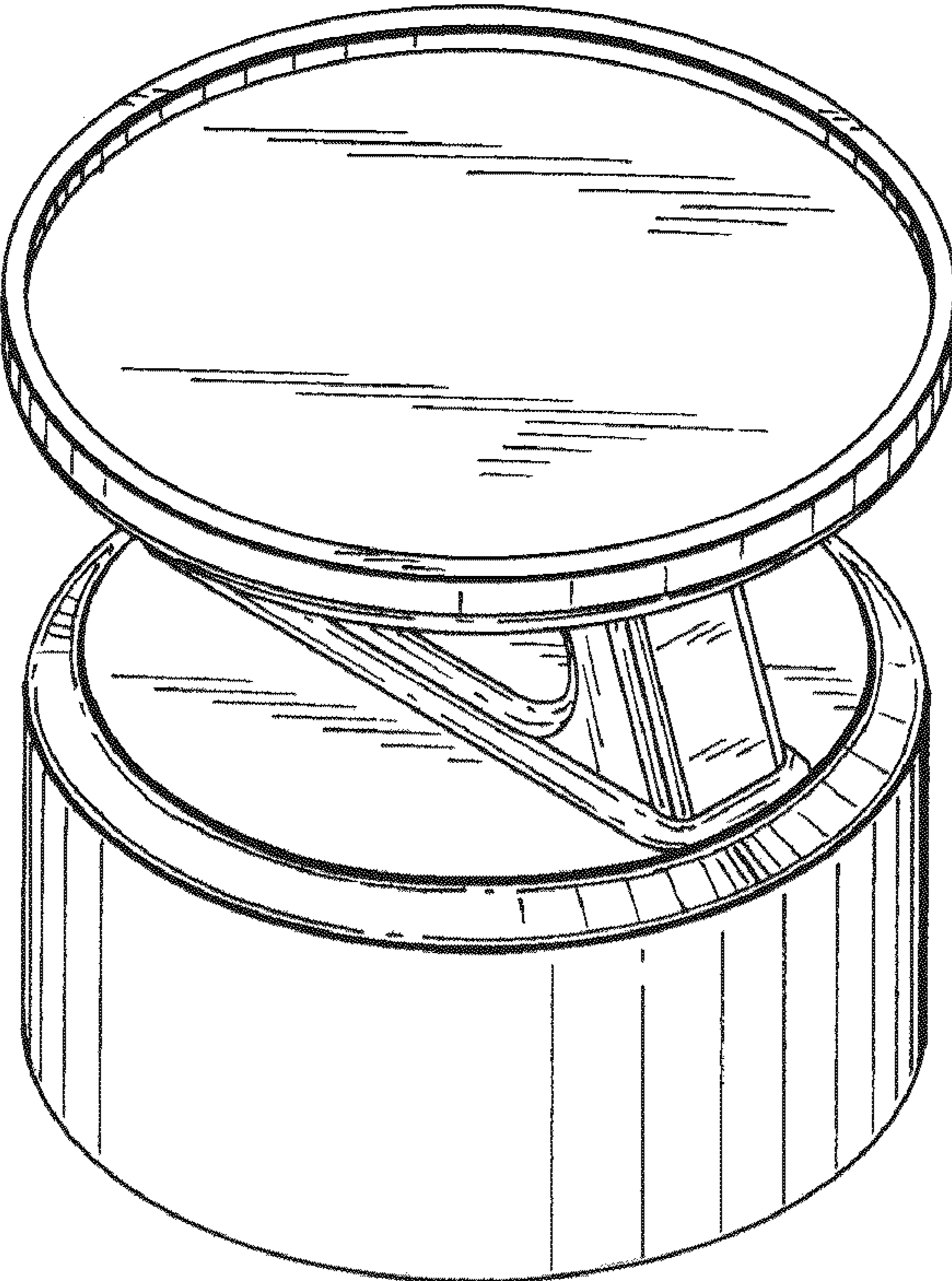


FIG. 1

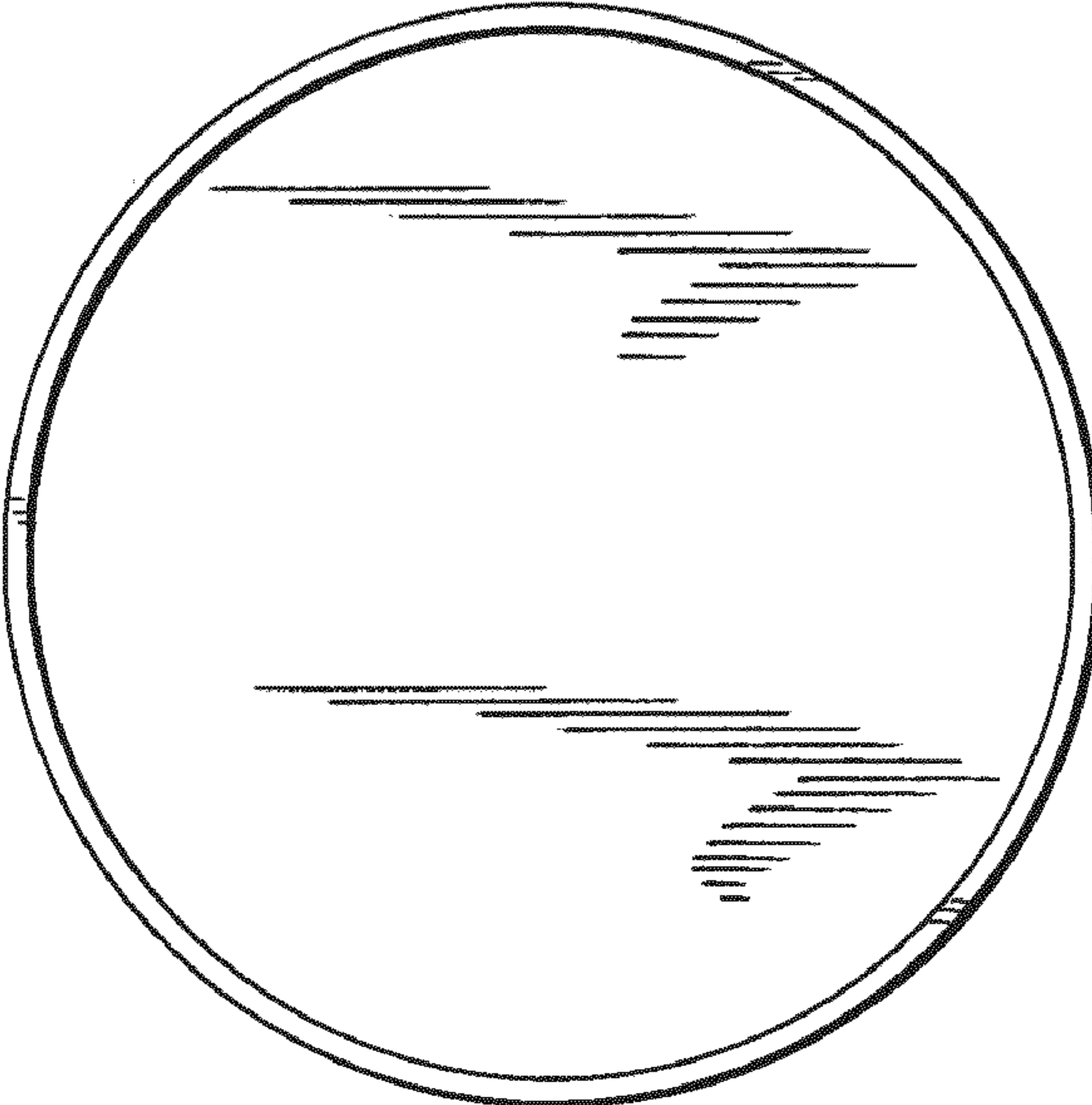


FIG. 2

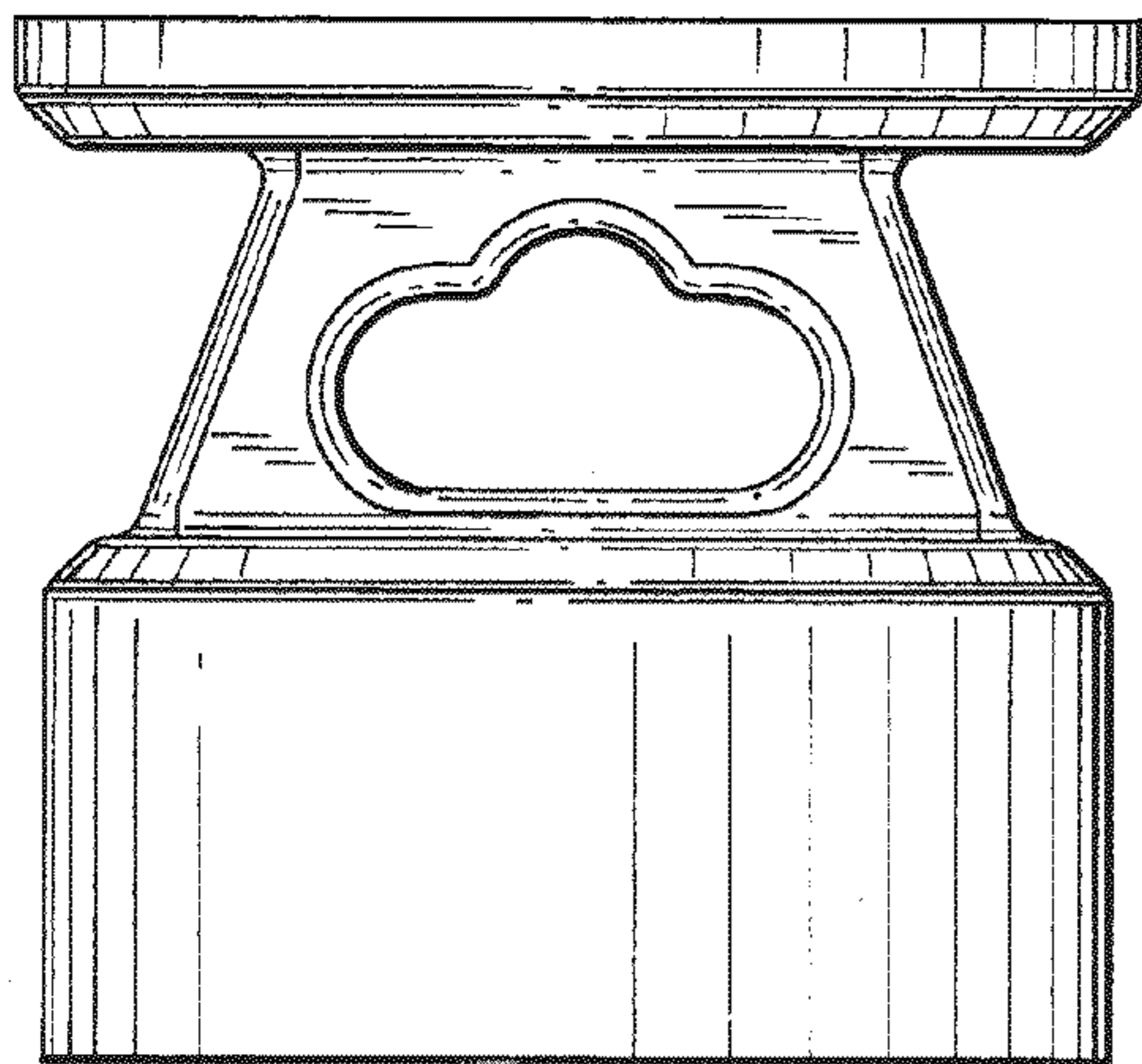


FIG. 3

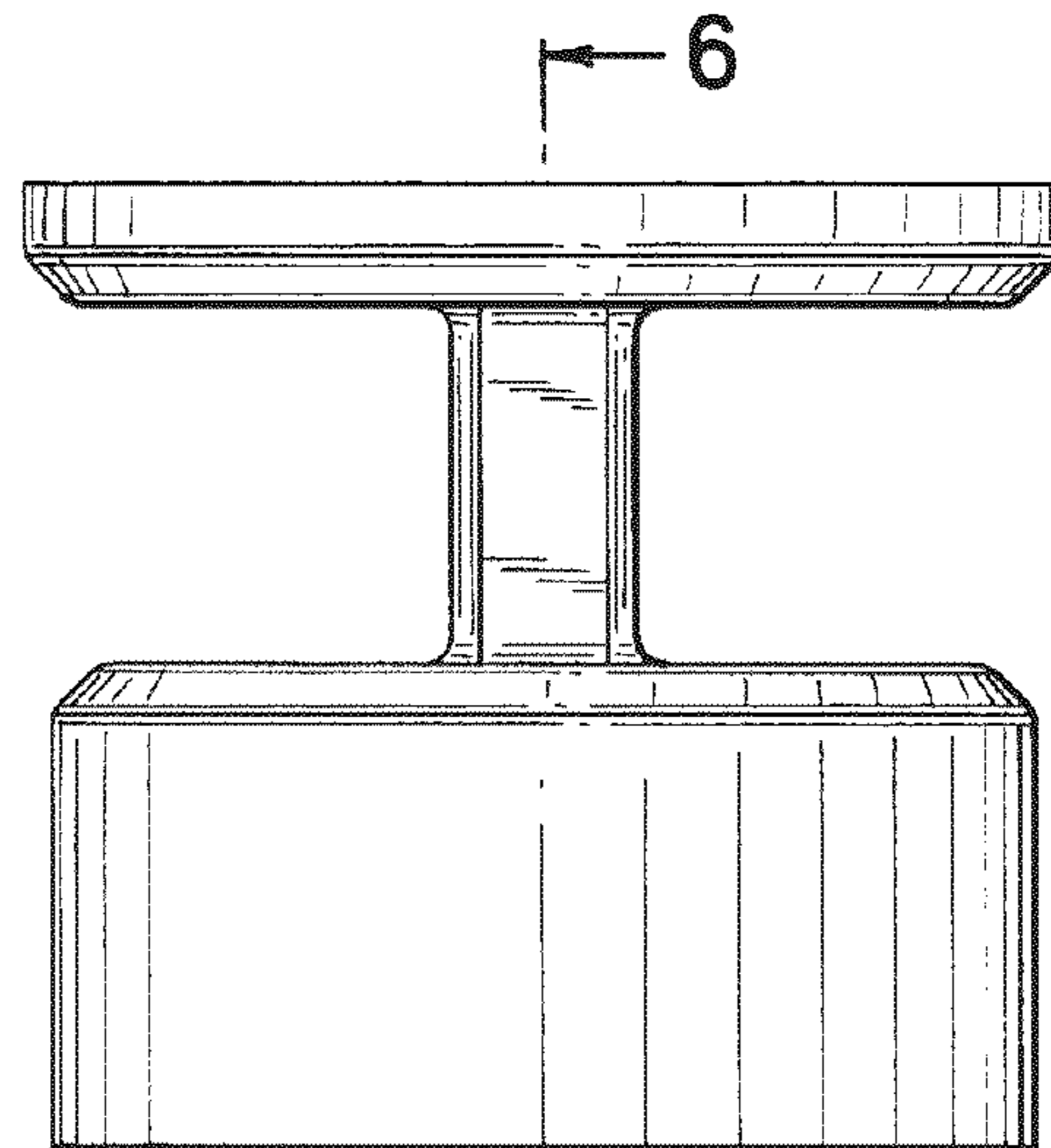


FIG. 4

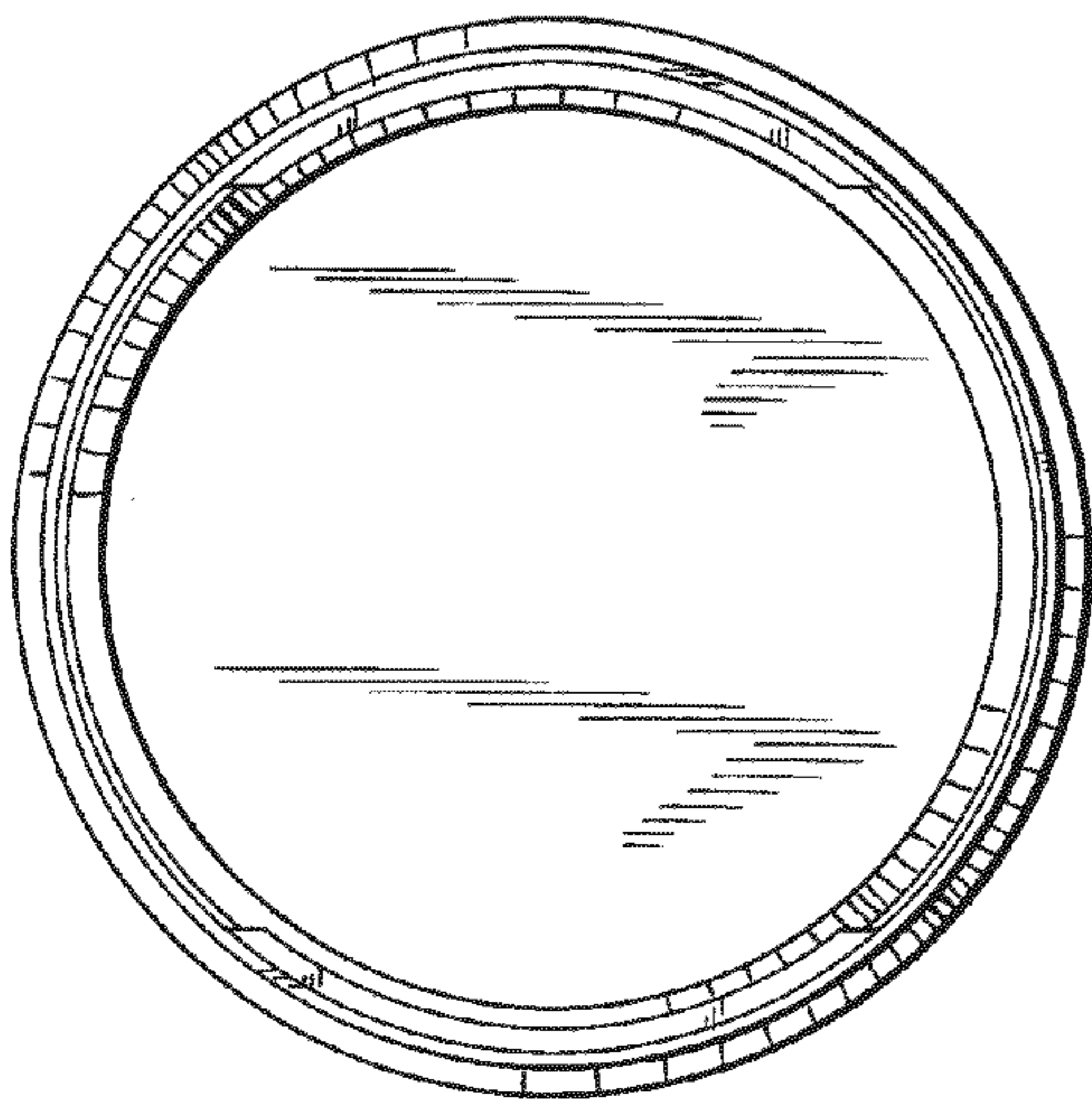


FIG. 5

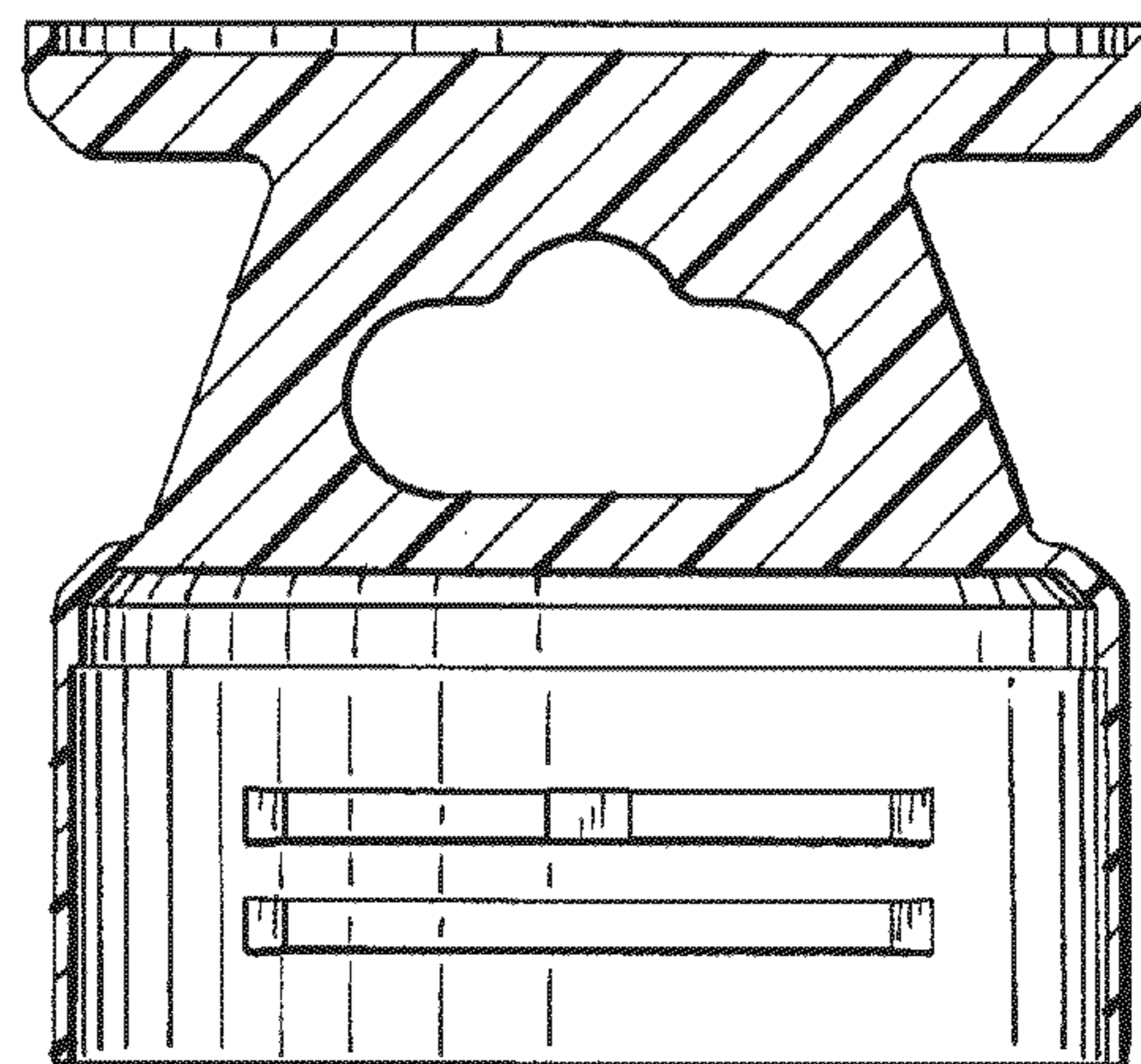


FIG. 6

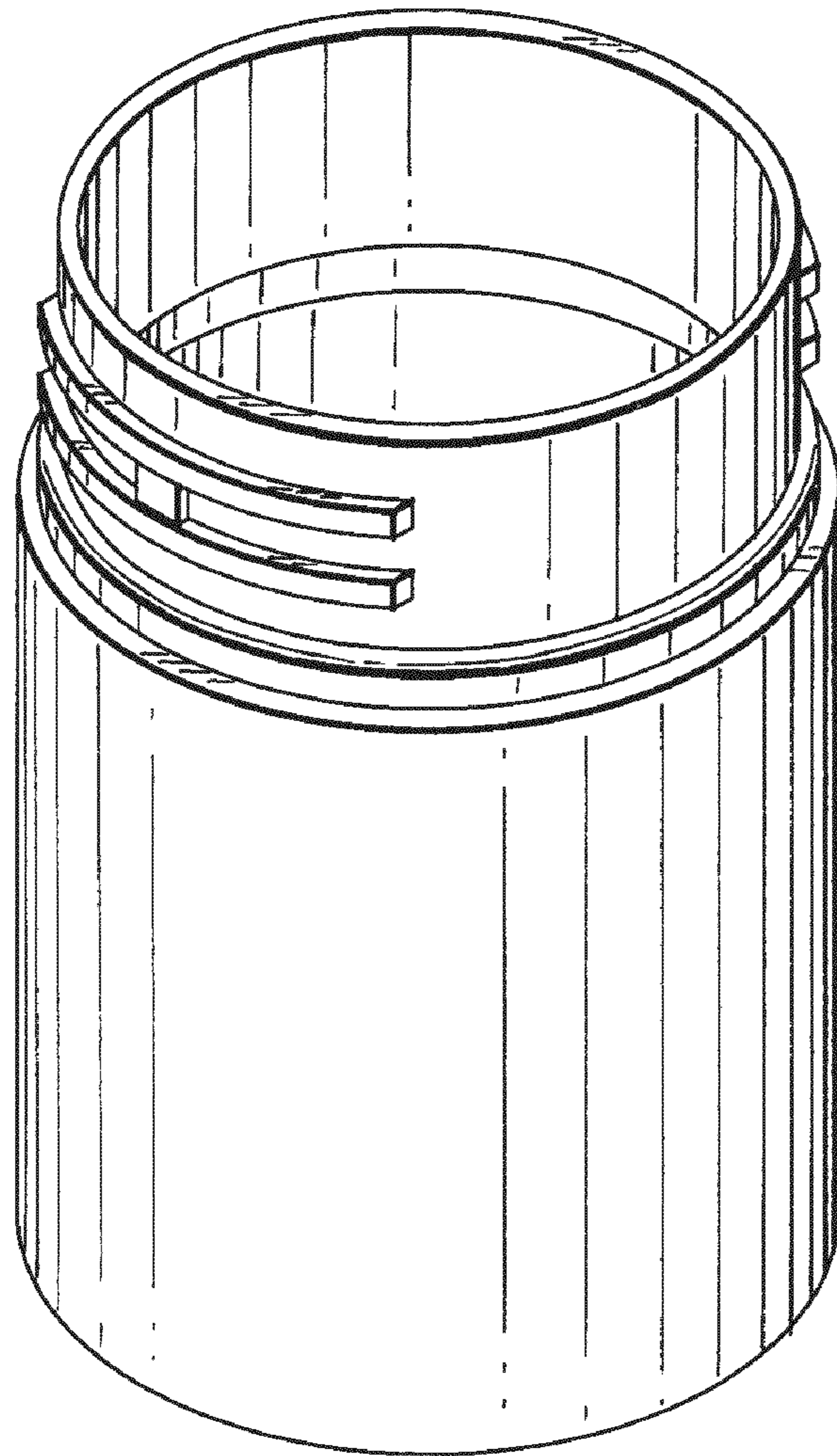


FIG. 7

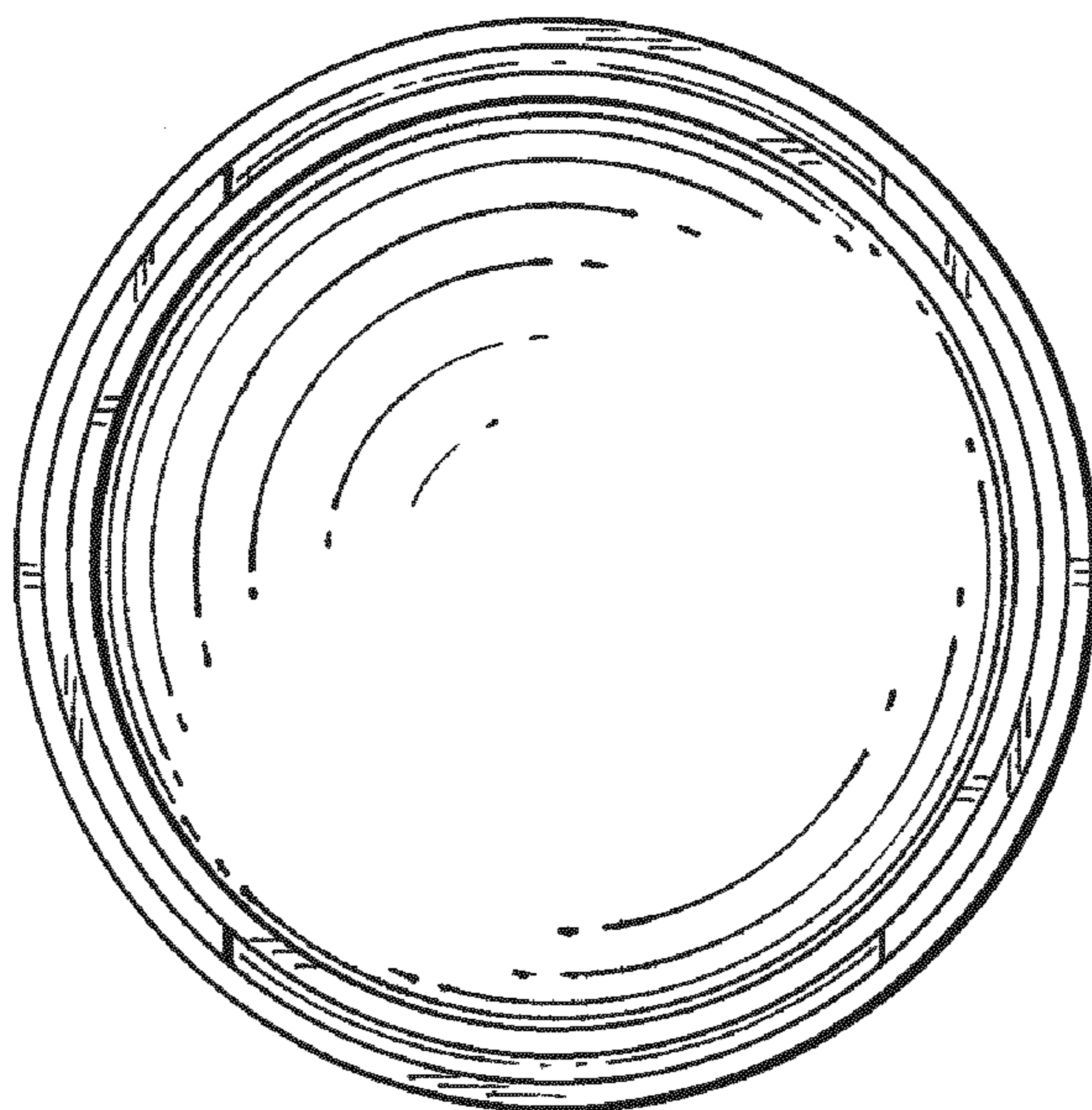


FIG. 8

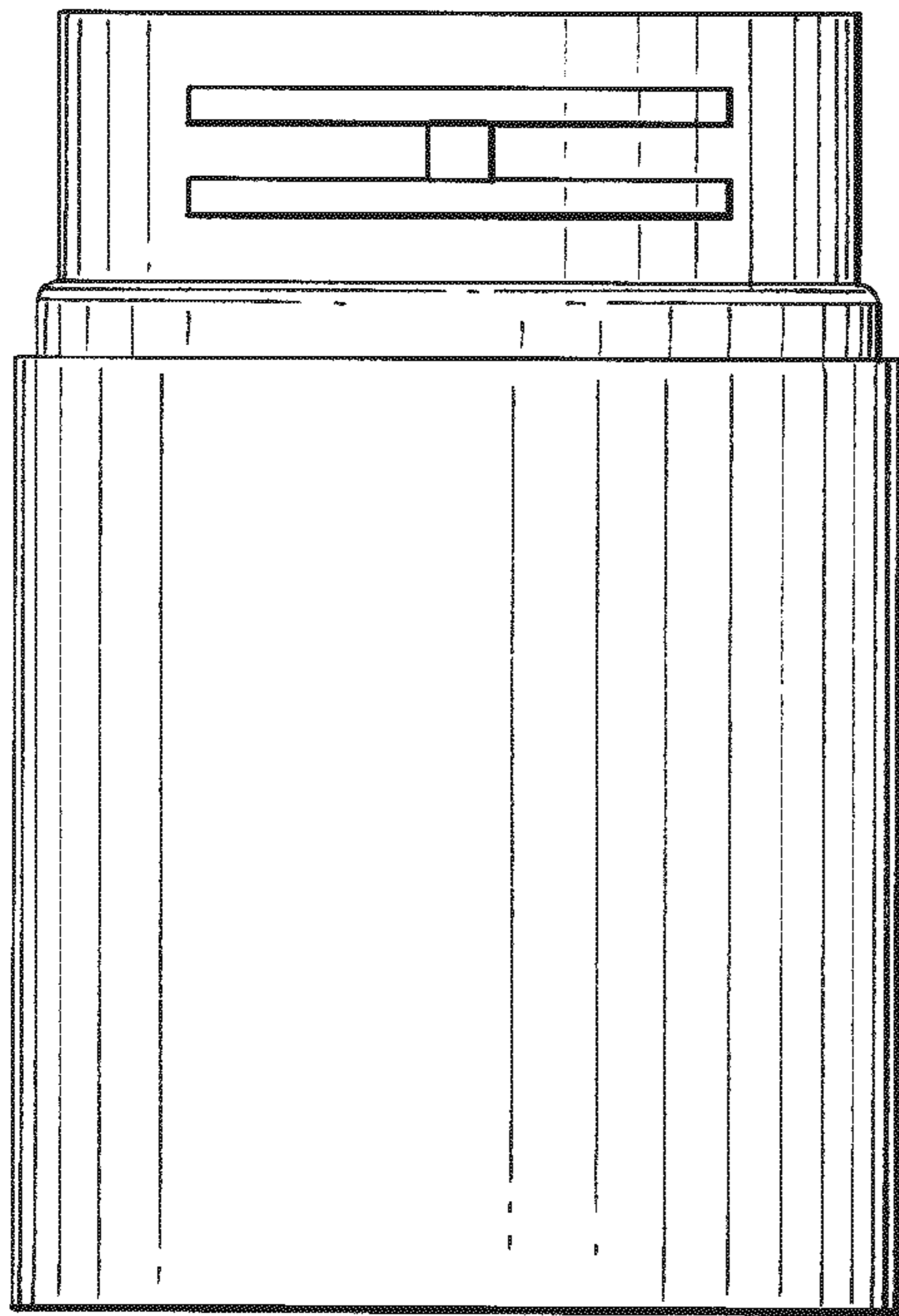


FIG. 9

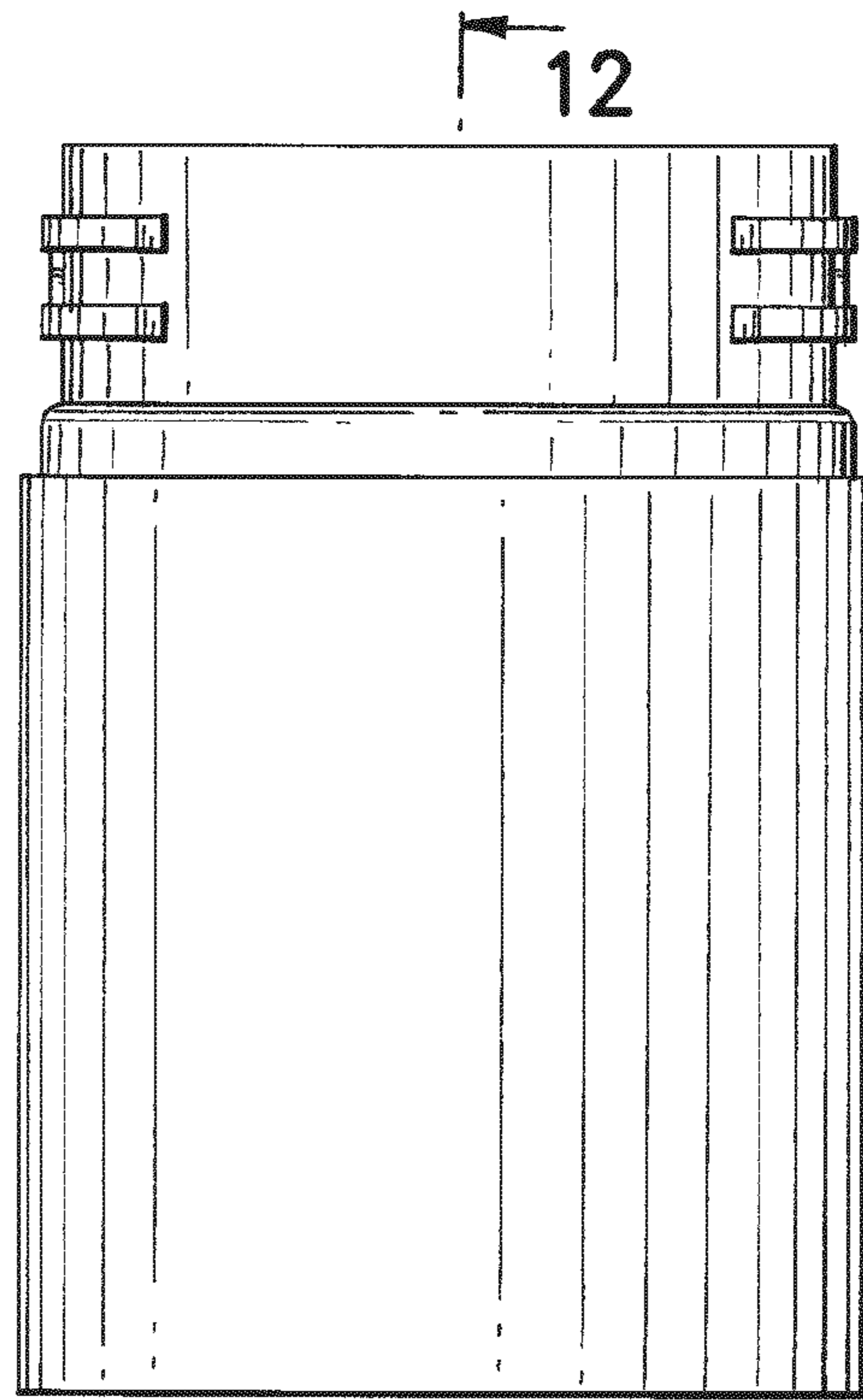


FIG. 10

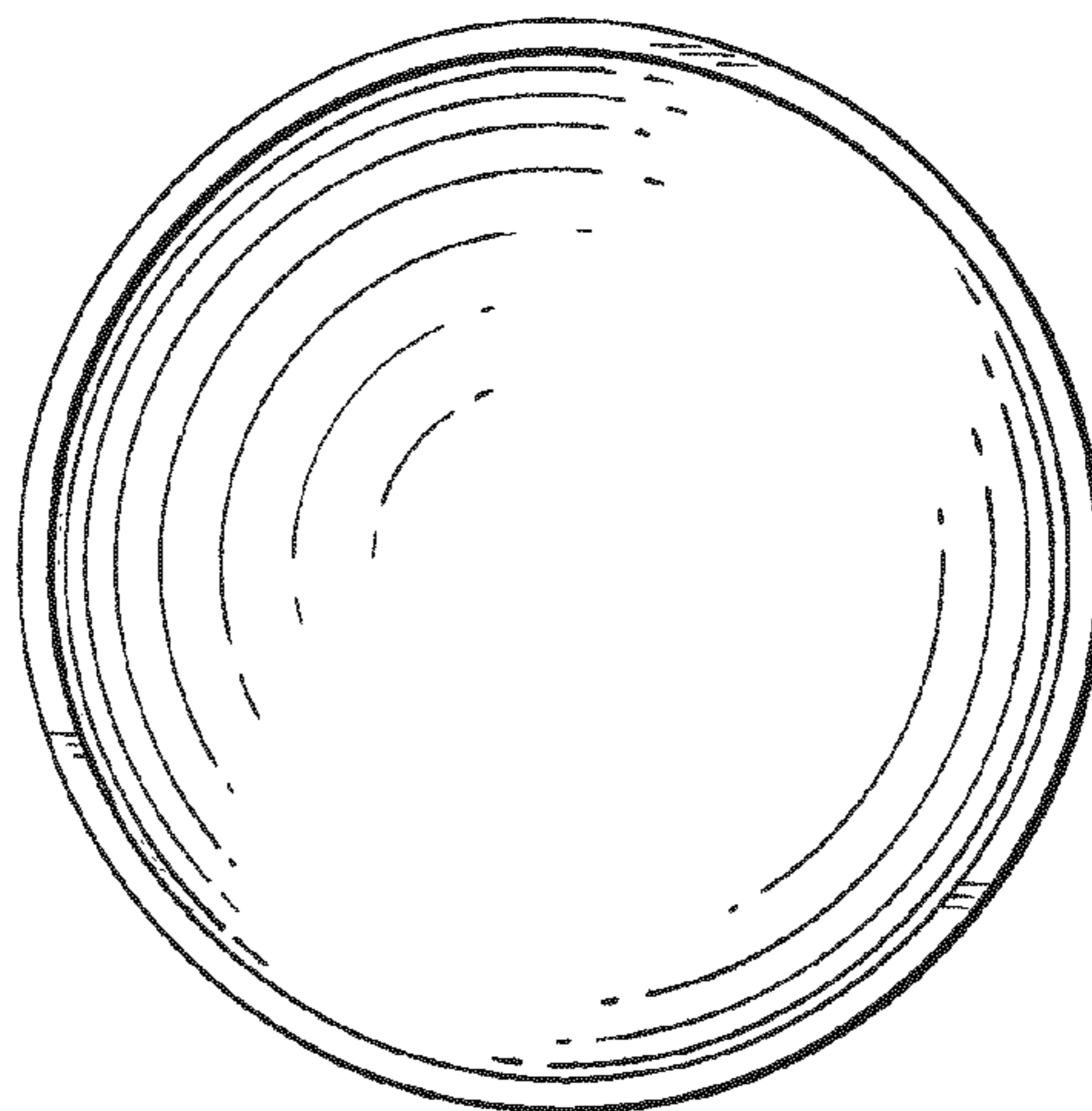


FIG. 11

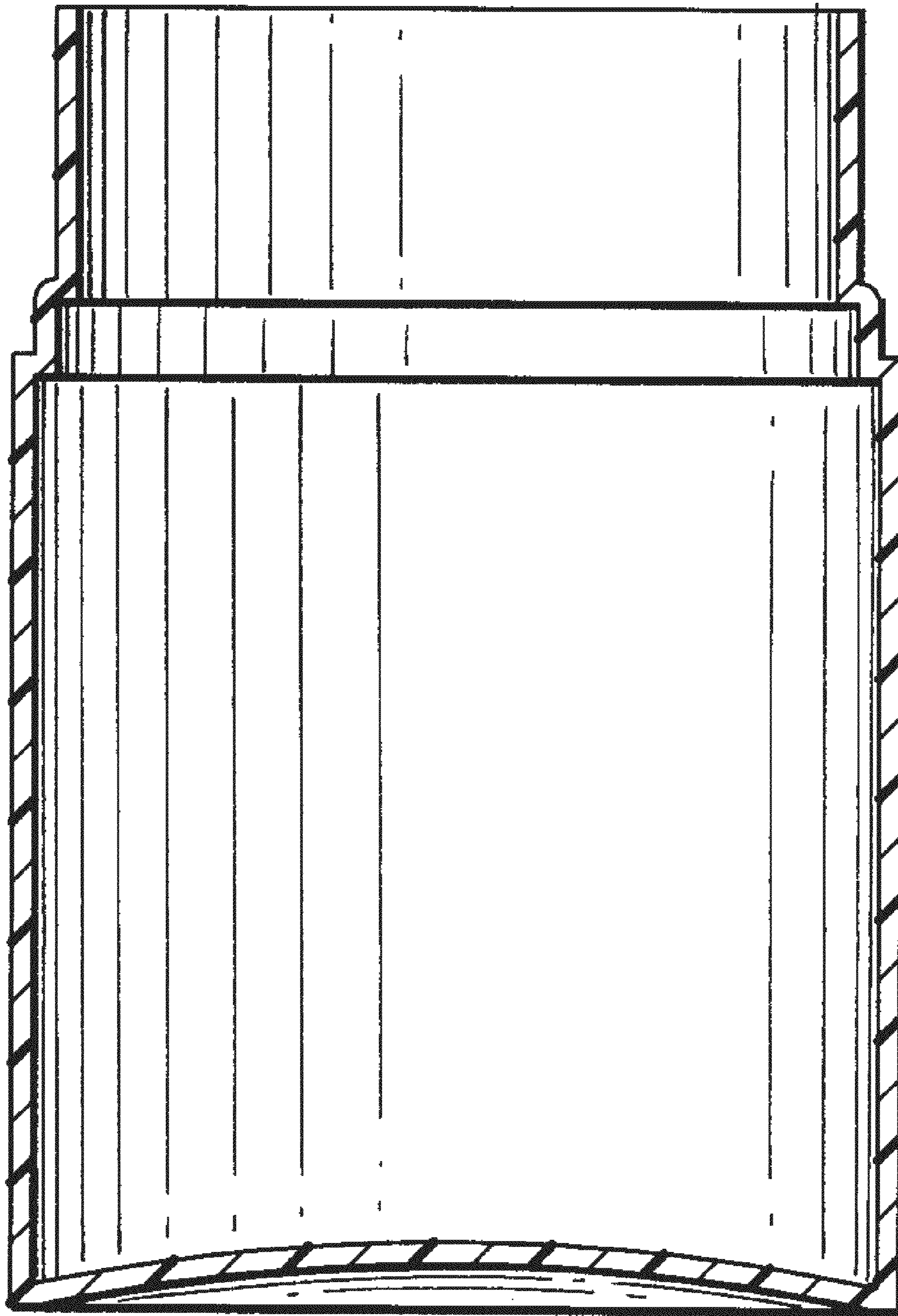


FIG. 12

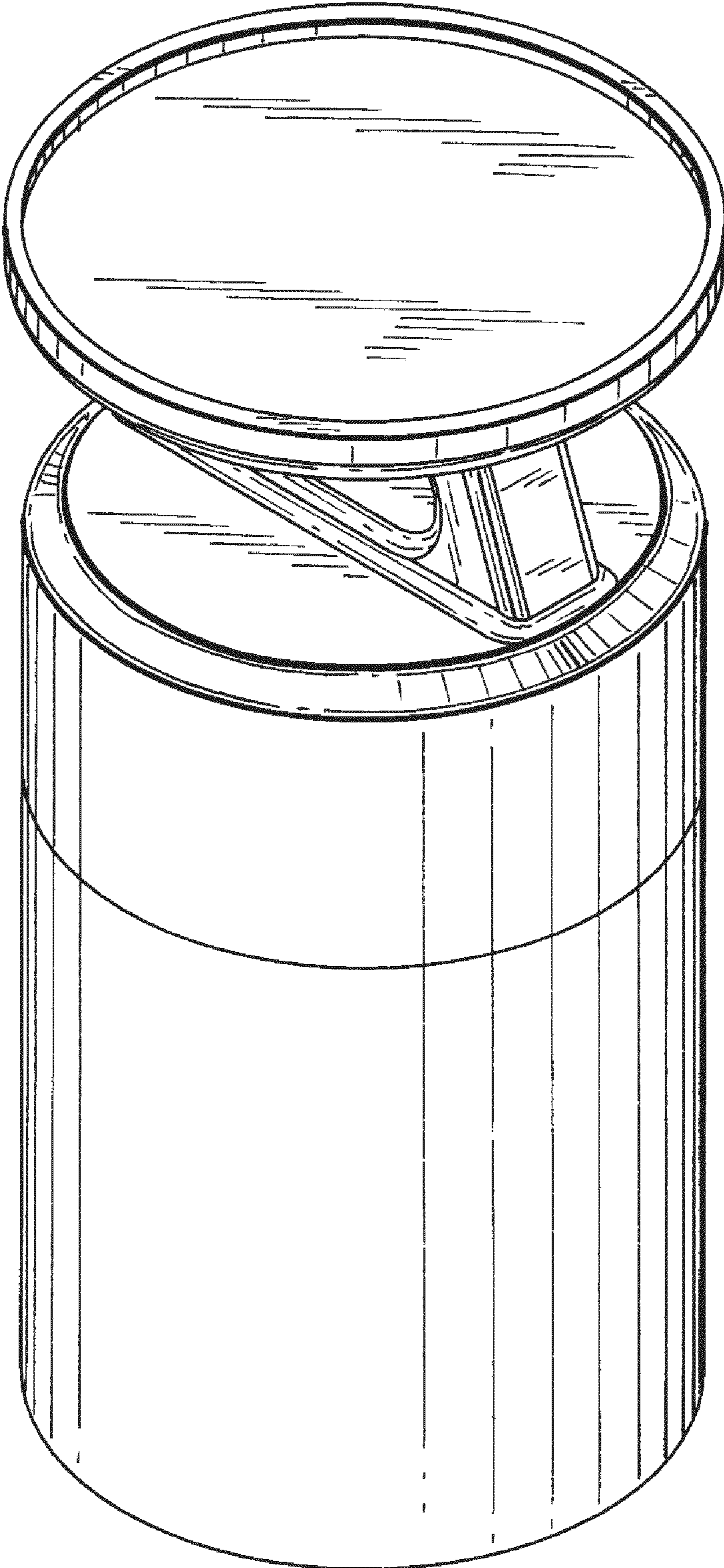


FIG. 13

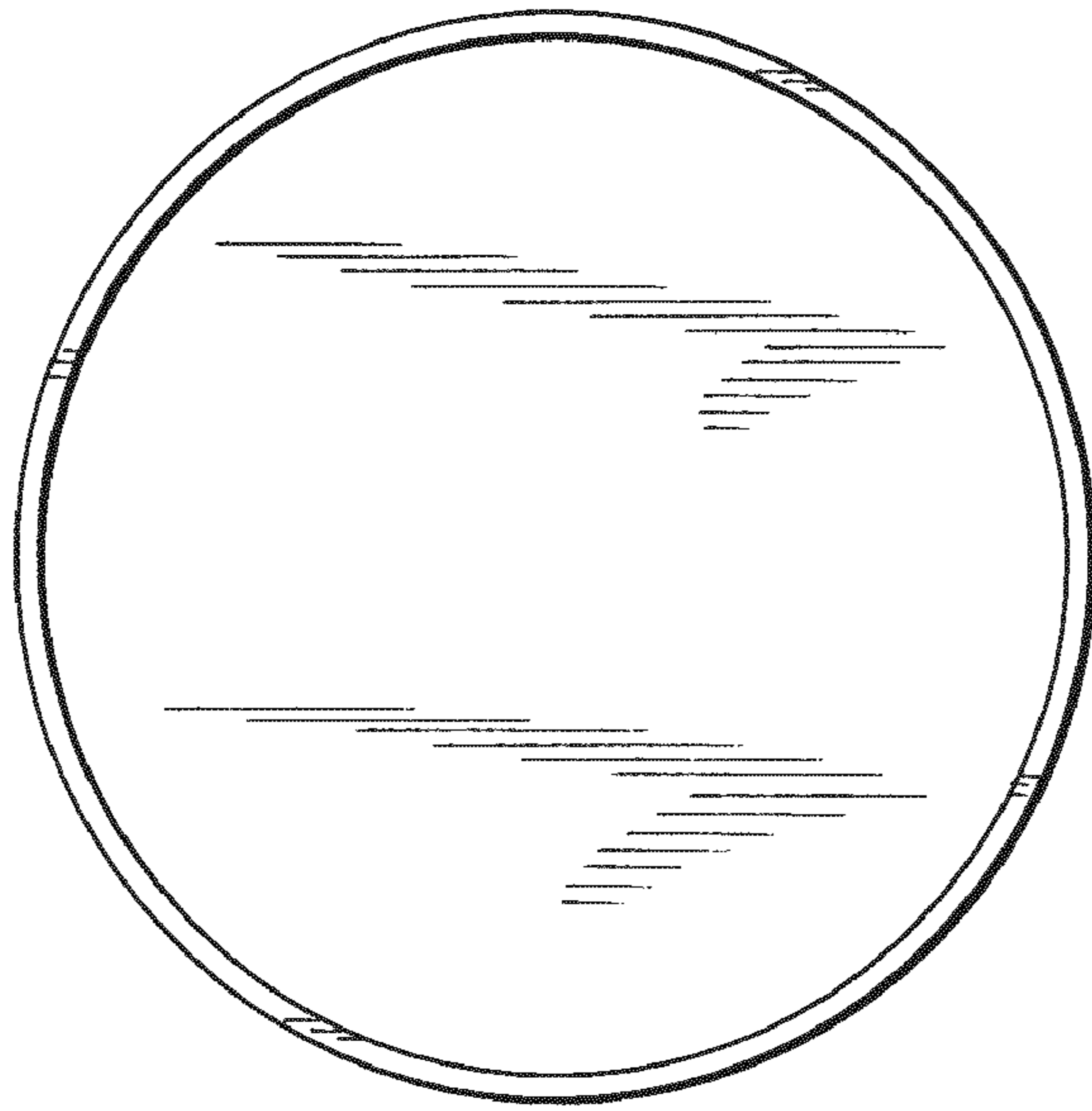


FIG. 14

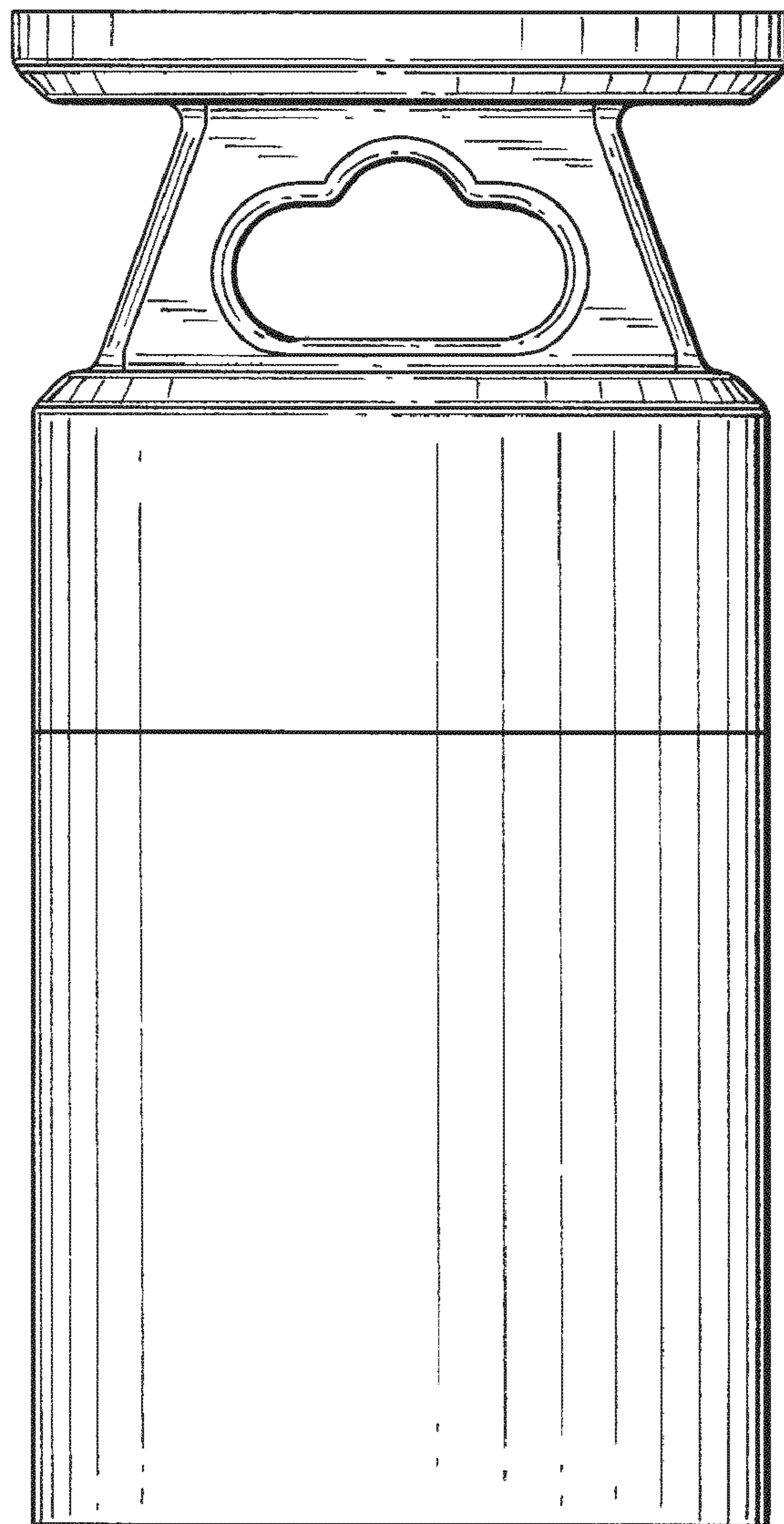


FIG. 15

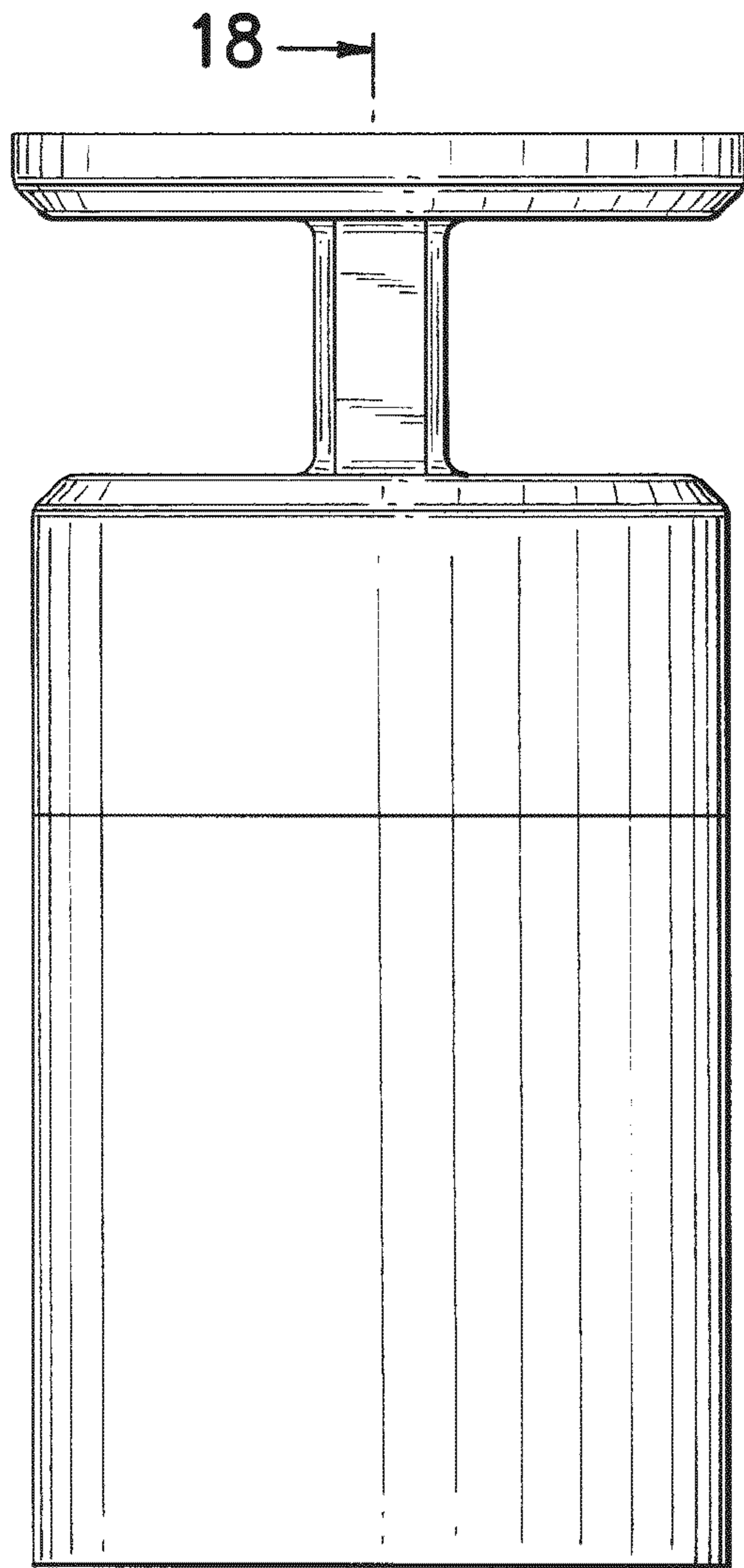


FIG. 16

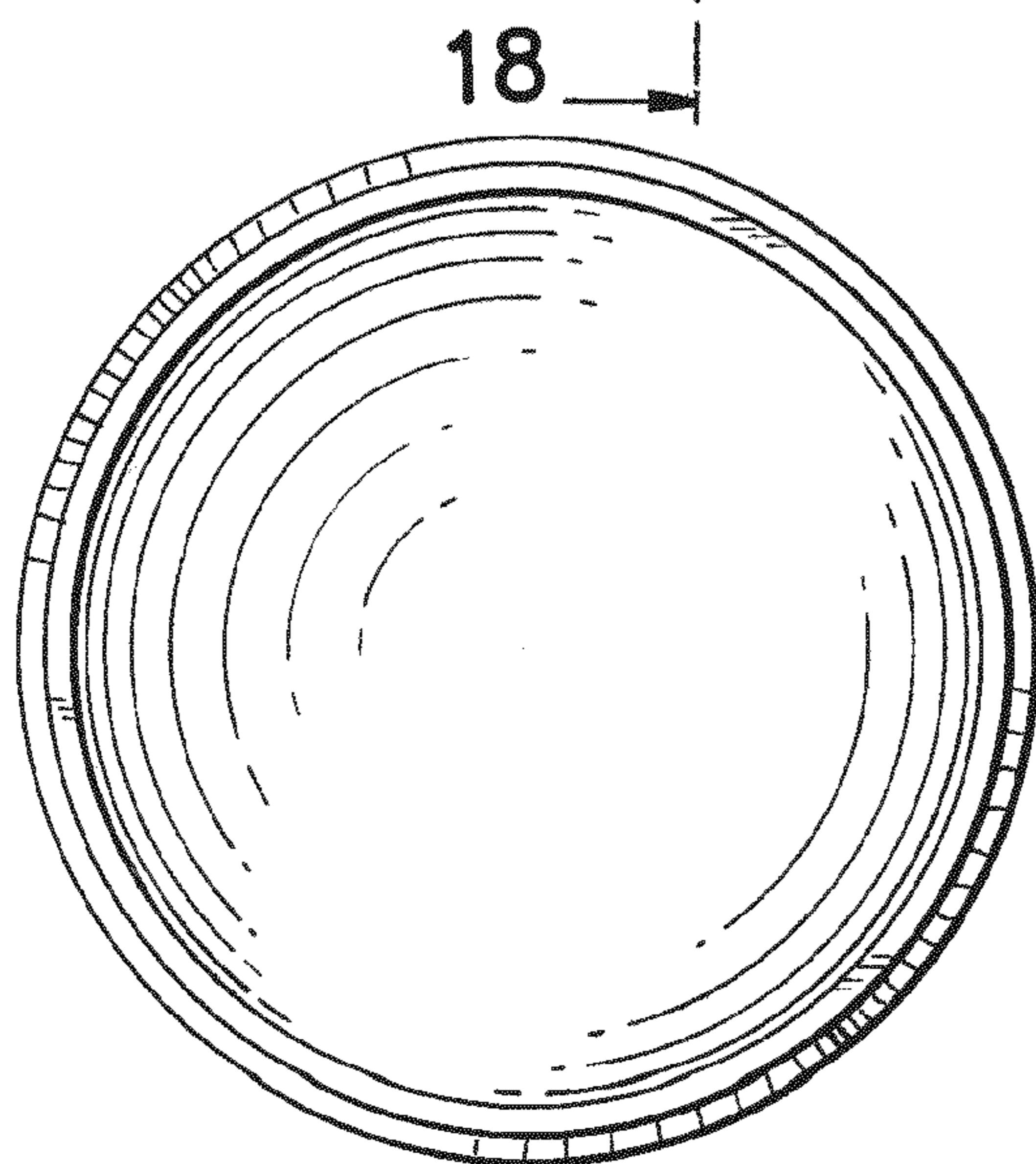


FIG. 17

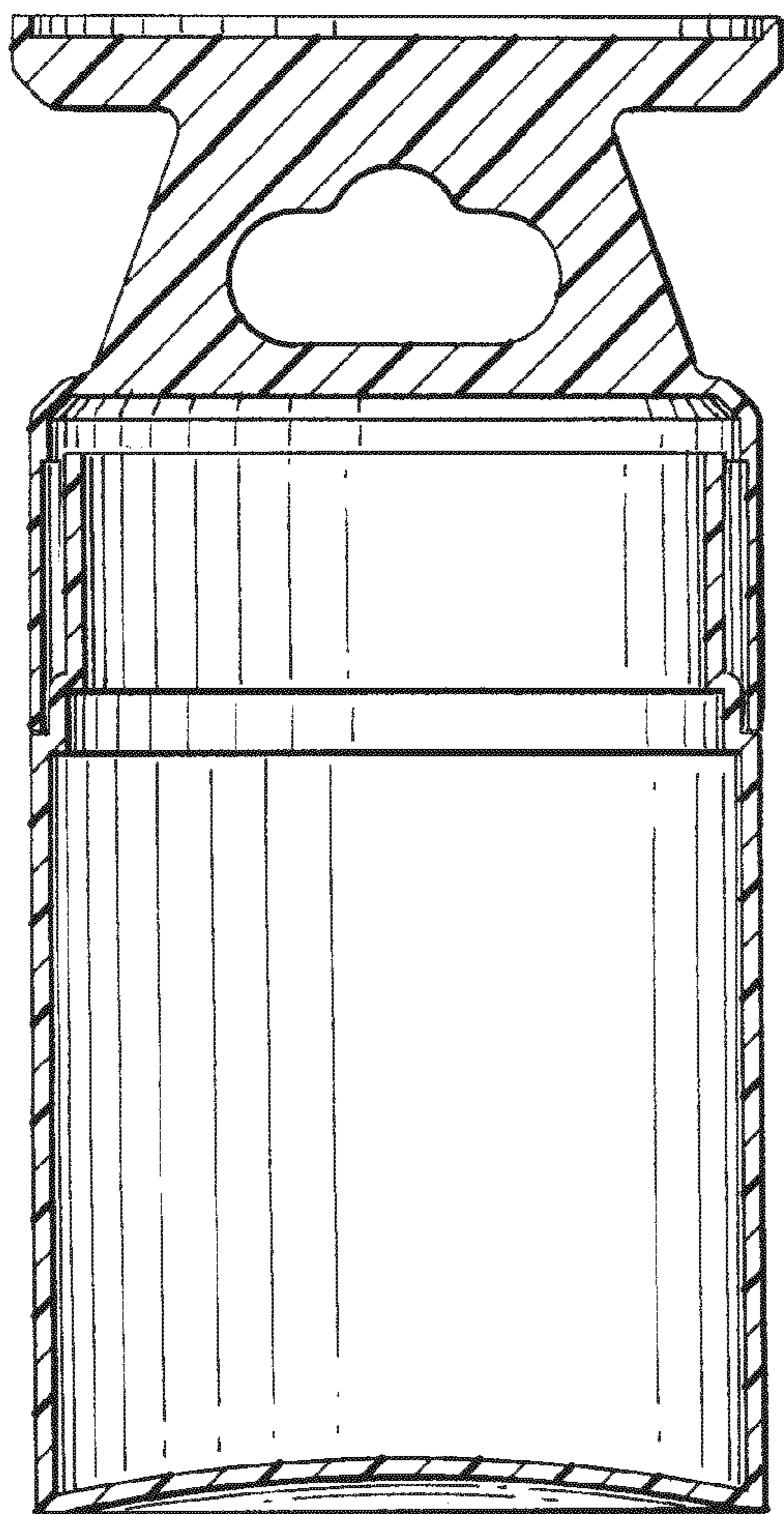


FIG. 18

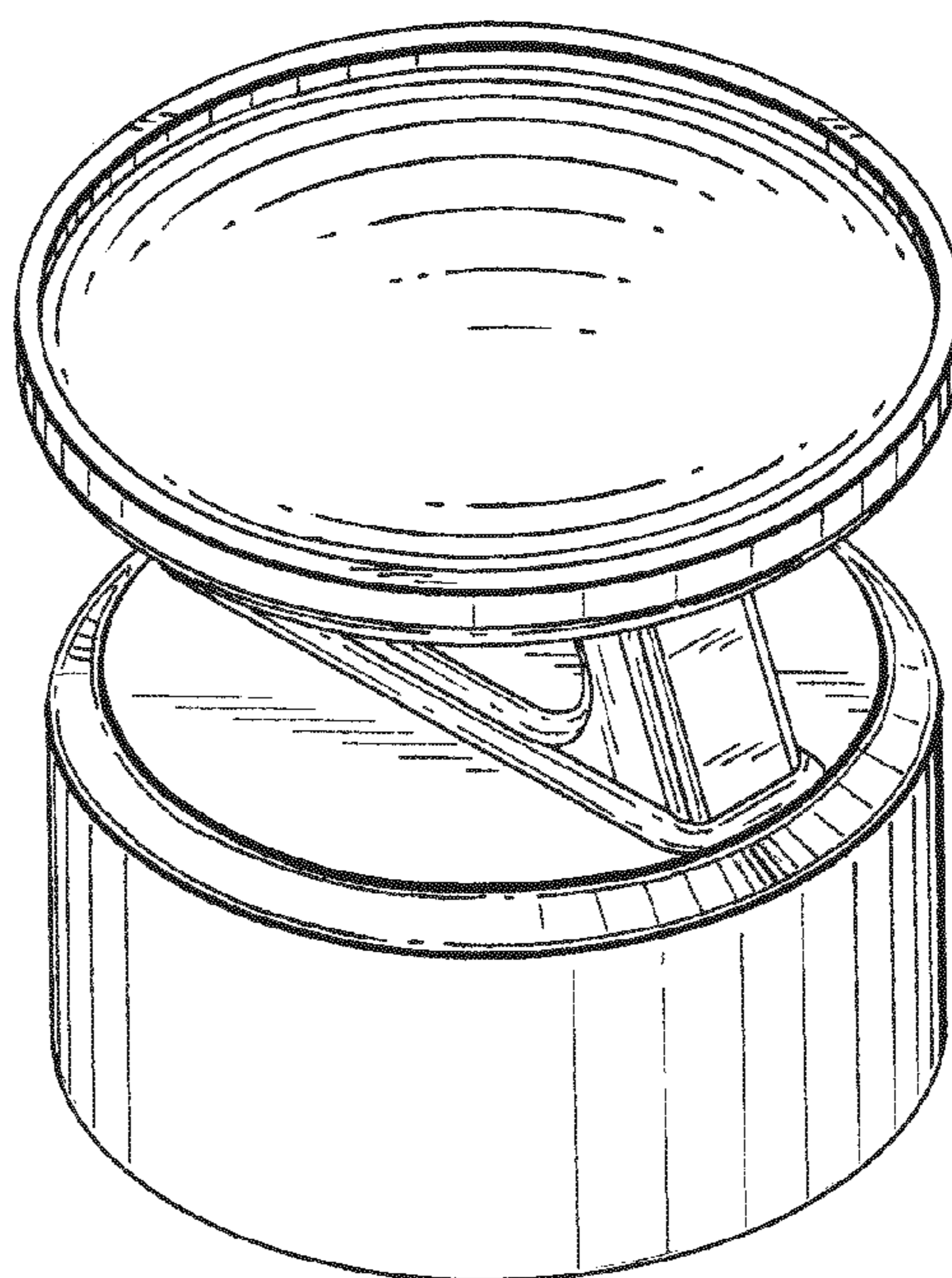


FIG. 19